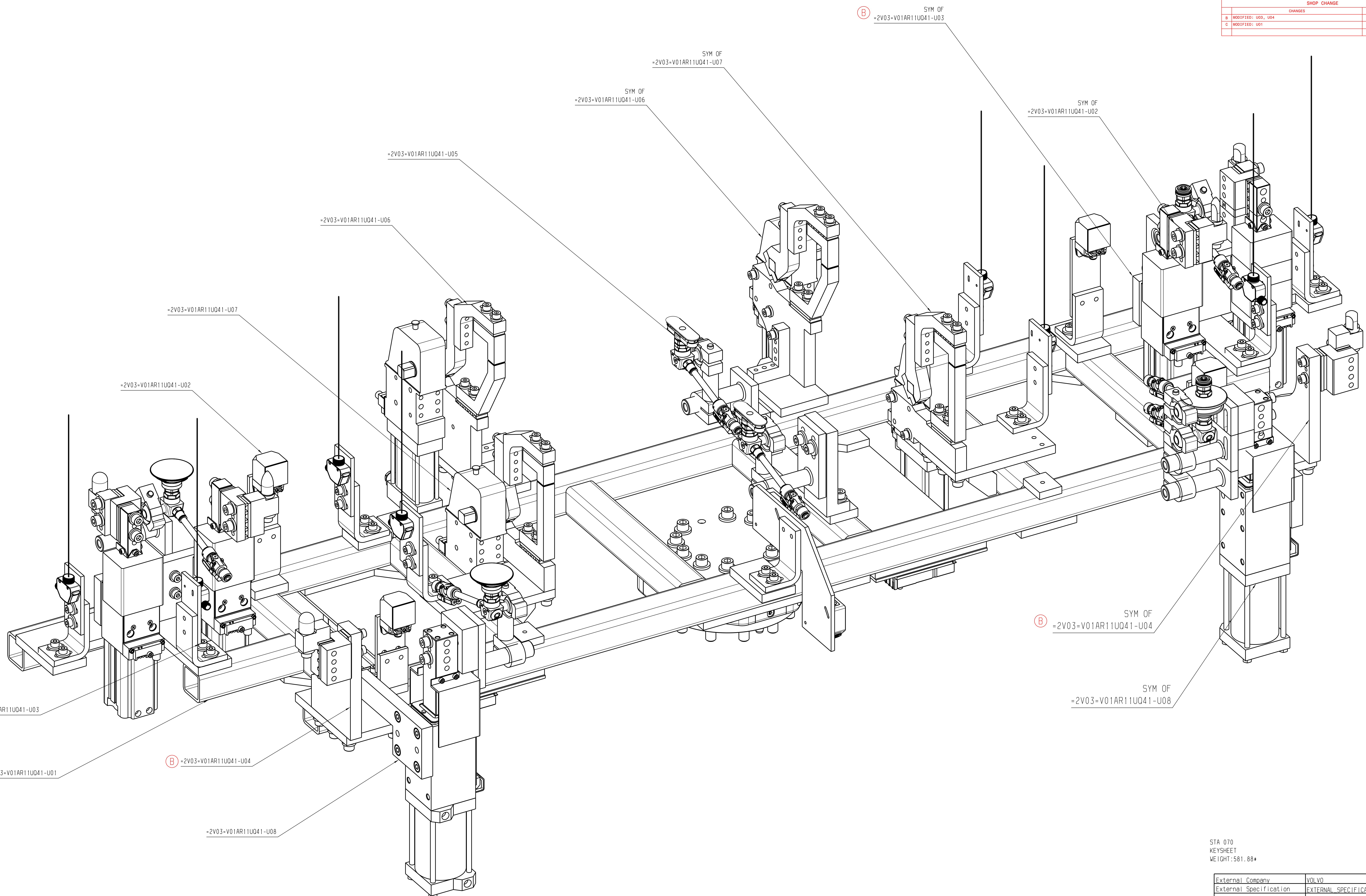


SHOP CHANGE			
CHANGES	DATE	CHANGED BY	
B MODIFIED: U03, U04	6/14/22	KK GMBH	
C MODIFIED: U01	6/21/22	KK GMBH	



ISO VIEW

STA 070
KEYSHEET
WEIGHT: 581.88#

External Company	VOLVO		
External Specification	EXTERNAL SPECIFICATION		
Material	MATERIAL		
Surface Treatment	SURFACE TREATMENT		
DSM Number	DSM_NUMBER		
Symbois, designations and general drawing method STD 101-0005			
Tolerance unless otherwise stated ISO 2768-m Sharp edges broken when function allows			
Drawn by	Date	Scale	Proj.
KK GmbH	5/24/2022	-	A0
Approved	Date	Projection	Request reference
XX	XX	1st	REQ_REF

The copyright, distribution and utilization of this document as well as the completion of its contents to generate a third approved copy or to produce a derivative work is prohibited without the prior written consent of the copyright holder. All rights reserved in the event of a dispute, all titles shall be considered design registrations.

VOLVO
Volvo Truck Corporation

Document No: =2V03-V01AR11U041-01
Version: 1/1
Sheet No: 1/1

16151-2070-420-1