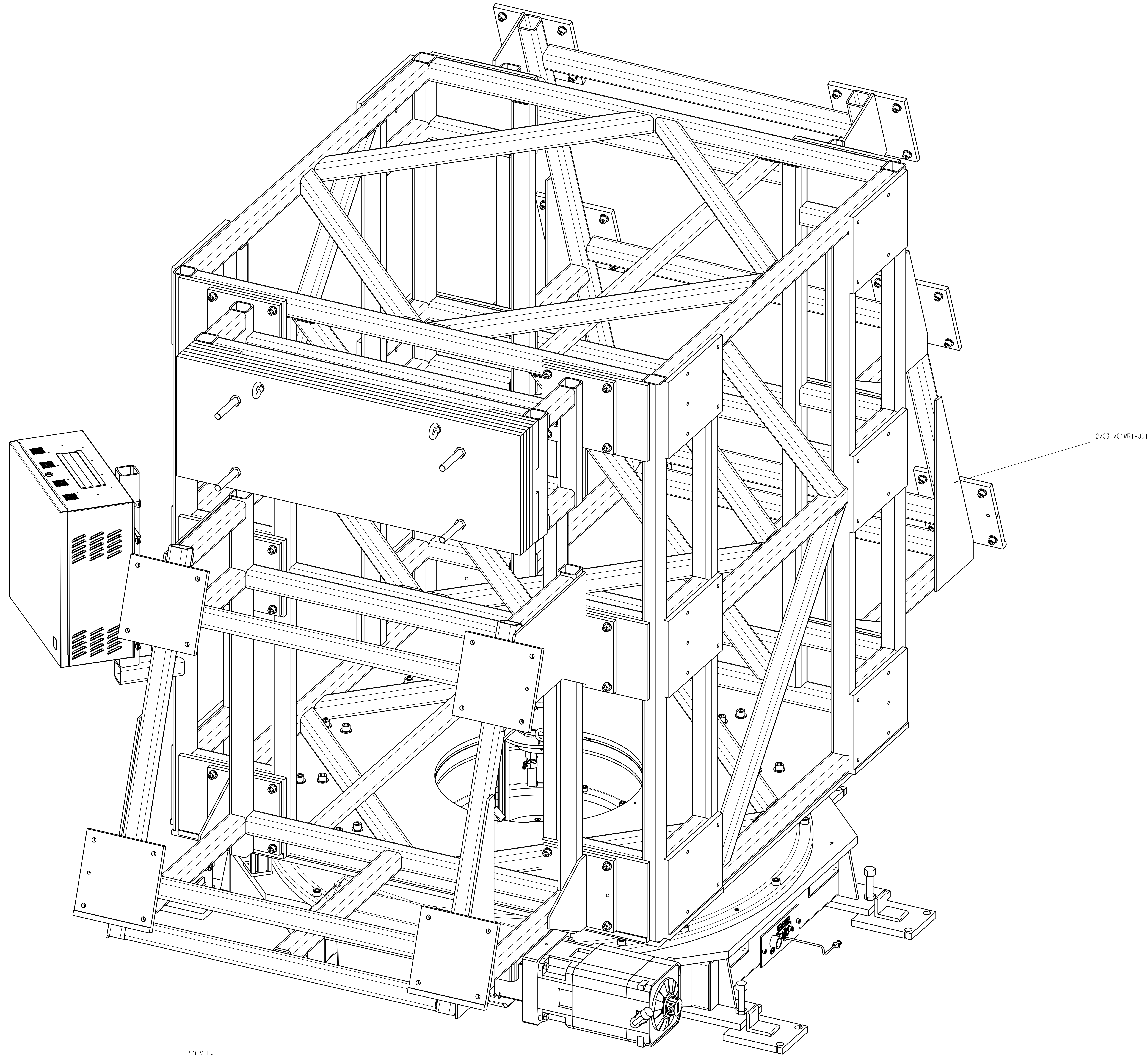


4	3	2	1
Engineering Release	Change description	Subject	Doc. release status
XX	XX	XX	DOC_REL_STATUS
ERN	XX	XX	Date: XXXX-XX-XX Specification count: XX



STA 070  
KEYSHEET  
WEIGHT: 13194\*

External Company	VOLVO		
External Specification	EXTERNAL SPECIFICATION		
Material	MATERIAL		
Surface Treatment	SURFACE TREATMENT		
DSM Number	DSM_NUMBER		
Symbols, designations and general drawing method STD 101-0005			
Tolerance unless otherwise stated ISO 2768-m Sharp edges broken when function allows			
Drawn by	Date	Scale	Proj.
KK GmbH	6/7/2022	1:1	A0
Approved	Date	Projection	Request reference
XX	XX	1st	REQ_REF
The copying, distribution and utilization of this document as well as the completion of its contents to generate a third document without the permission of the originator is prohibited. All rights reserved in the event of a patent, utility model or trademark design registration.		Document title	Sheet No.
		UNDERBODY FIXTURE UB-070-TT	11/1
		Document type	
		Owner: <b>VOLVO</b> Volvo Truck Corporation	
Document No.	Version	Sheet No.	
=2V03=V01WR1	02	11/1	

16151-2070-137-1