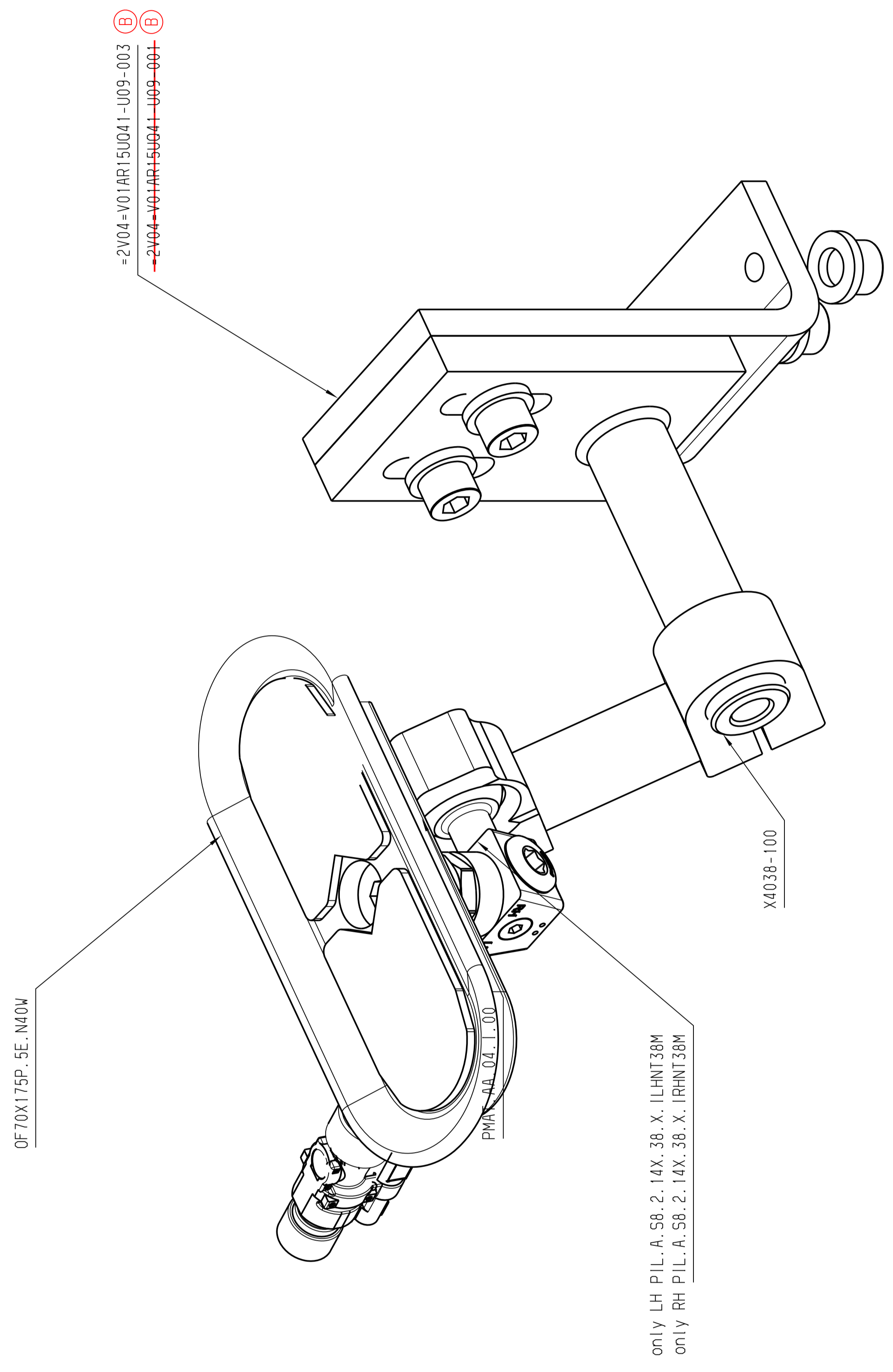


0 1 2 3 4 5 6 7 8 9 10 11 12 13 14 15 16 17 18 19 20 21 22 23 24

P O N M L K J I H G V F E D C B A

Doc. No.	16151-3140-420-1-009
Doc. Rev.	01
Doc. Status	Released
Doc. Release Status	XX-XX-XX
Doc. Release Date	11/17/22
Doc. Release Location	XX
Doc. Release By	XX

SHOP CHANGE			
CHANGES	DATE	CHANGED BY	
B DELETED: 001; ADDED: 003	11/17/22	KK GMBH	



STA 140
 UNIT 009
 WEIGHT 6.97#

ISO VIEW

16151-3140-420-1-009

External Company	VOLVO
External Specification	EXTERNAL SPECIFICATION
Material	MATERIAL
Surface Treatment	SURFACE TREATMENT
DSM Number	DSM NUMBER
Symbols: designations and general drawing method STD 101-0005	
Tolerances unless otherwise stated ISO 2768-mS (sharp edges broken when function allowed)	
Drawn by	KK GMBH
Check by	KK GMBH
Approved by	KK GMBH
Released by	KK GMBH
Released date	6/10/2022
Scale	1:1
Priority	1
Project	16151-3140-420-1-009
Customer	UNDERBODY
Customer Code	16151-3140-420-1-009
Customer Name	VOLVO
Customer No.	16151-3140-420-1-009
Customer Part No.	16151-3140-420-1-009
Customer Description	VOLVO TRUCK CORPORATION