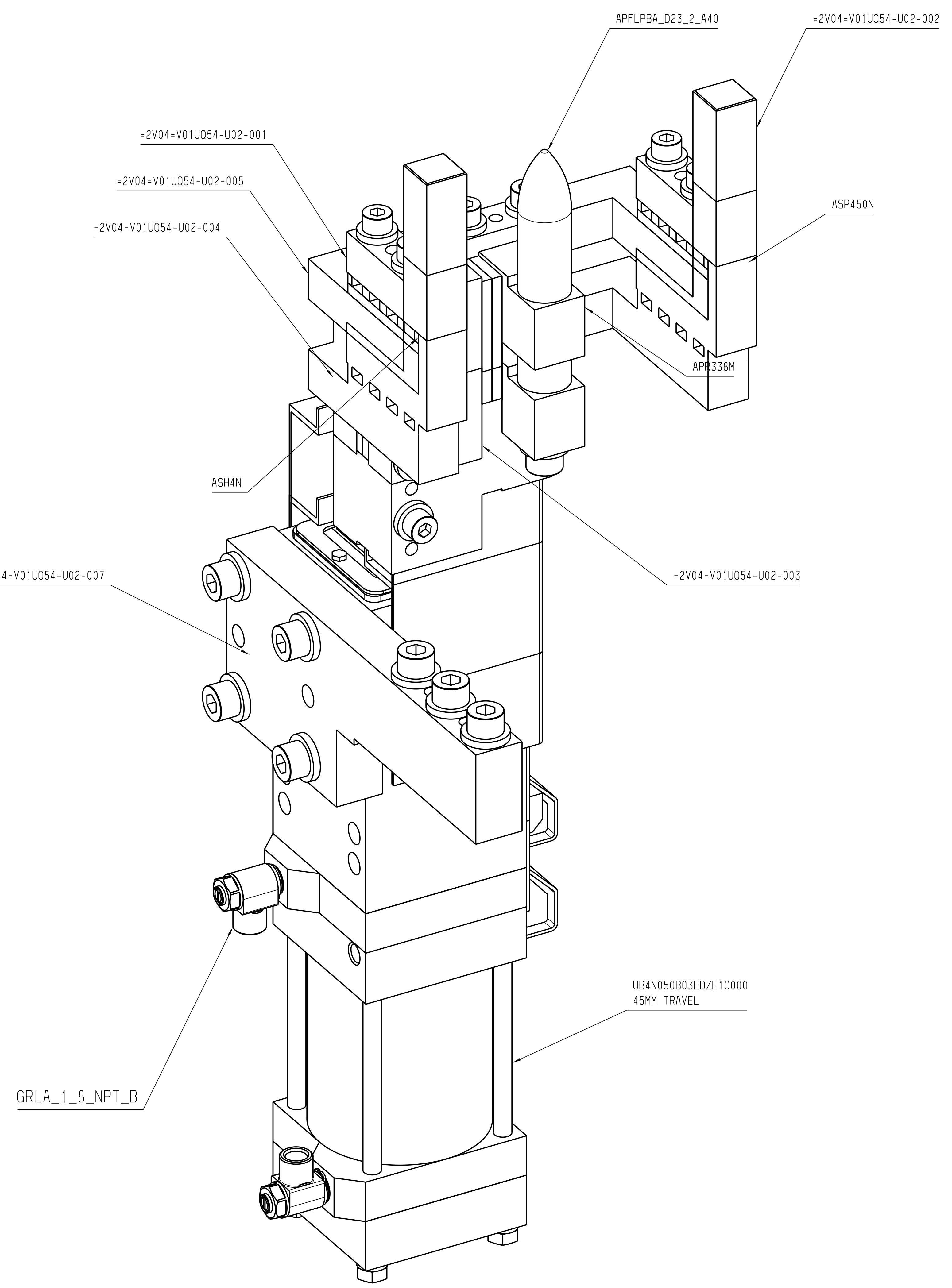
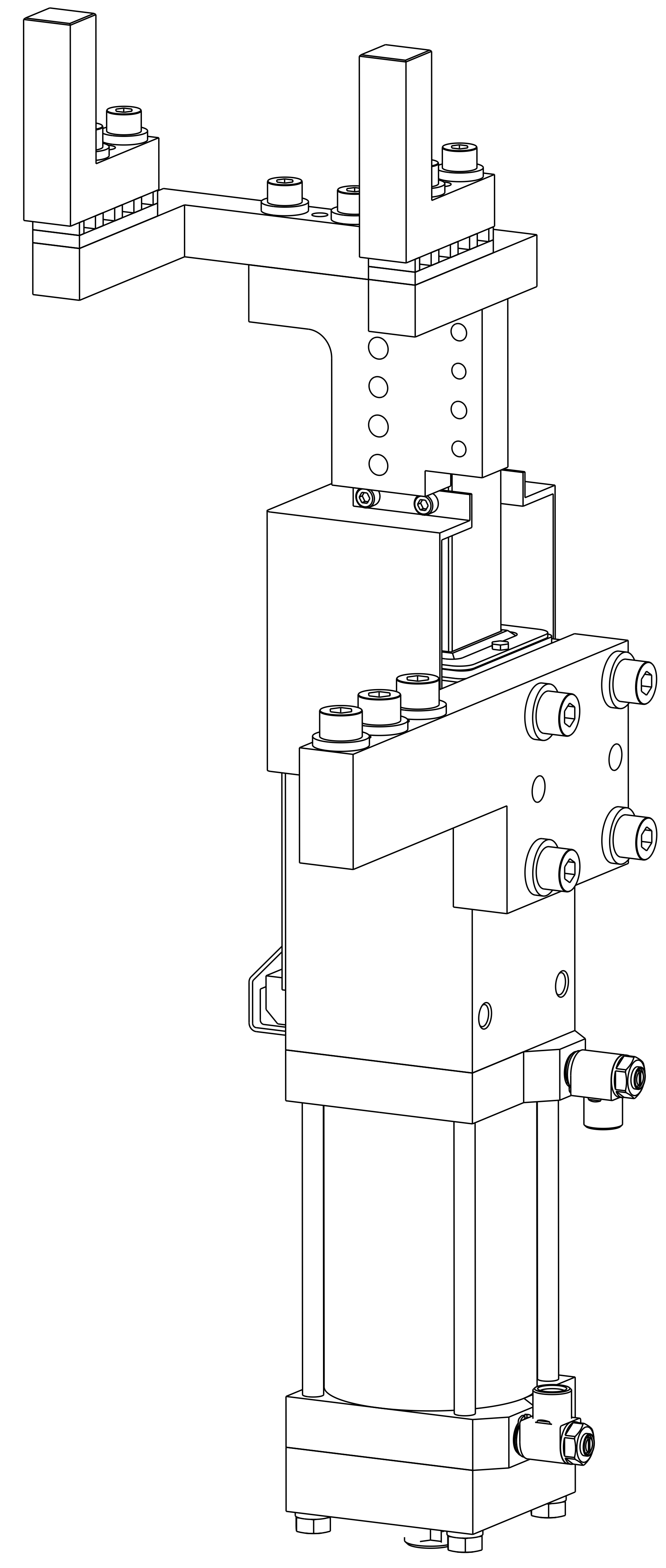


| SHOP CHANGE | | | |
|--------------------------------|---------|------------|--|
| CHANGES | DATE | CHANGED BY | |
| DELETED: 006; NEWLY ADDED: 007 | 6/21/22 | KK GmbH | |
| | | | |
| | | | |



L.H. SIDE

ISO VIEW



R.H. SIDE

16151-3105-126-1-002

STA 105
UNIT 002
WEIGHT : 39.50*

| | | | |
|--|------------------------|---------------------------|-------------------|
| External Company | VOLVO | | |
| External Specification | EXTERNAL SPECIFICATION | | |
| Material | MATERIAL | | |
| Surface Treatment | SURFACE TREATMENT | | |
| DSM Number | DSM_NUMBER | | |
| Symbols, designations and general drawing method STD 101-0005 | | | |
| Tolerance unless otherwise stated ISO 2768-m Sharp edges broken when function allows | | | |
| Drawn by | Date | Scale | Proj |
| KK GmbH | 6/09/2022 | - | A0 |
| Approved | Date | Projection | Request reference |
| XX | XX | 1st | REQ_REF |
| The copying, distribution and utilization of this document as well as the completion of its contents to generate a third approved copy is prohibited, if it is not intended for the purpose of a design, or if it is not intended for the purpose of a design, or if it is not intended for the purpose of a design. | | Document title | Version |
| | | UNDERBODY SEALER TABLE | 01 |
| | | UB-105-51 | 1/1 |
| | | Document type | |
| | | Doc. name/Document prefix | |
| | | Document No | Sheet No |
| | | =2V04=V01U054 | 1/1 |