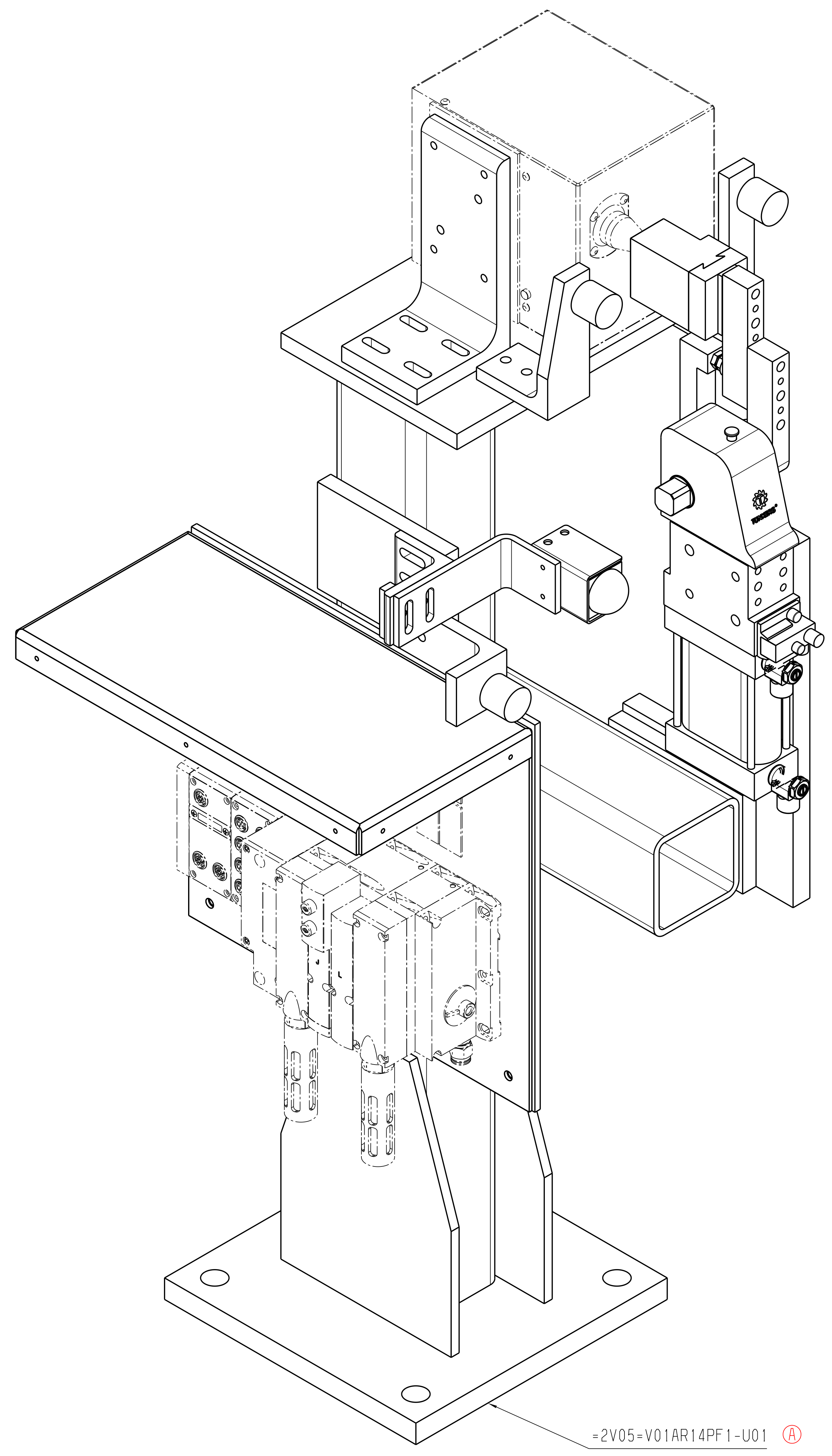


SHOP CHANGE			
DATE	CHANGES	DATE	CHANGED BY
A	TOOL NUMBERS REVISED; WAS =2V05=V01AR14PF1	06/22/22	T. SCHANKER



ISO VIEW

STA 080  
UNIT KEYSHEET  
WEIGHT: 207.2\*

External Company	VOLVO		
External Specification	EXTERNAL SPECIFICATION		
Material	MATERIAL		
Surface Treatment	SURFACE TREATMENT		
DSM Number	DSM_NUMBER		
Symbols, designations and general drawing method STD 101-0005			
Tolerance unless otherwise stated ISO 2768-m Sharp edges broken when function allows			
Drawn by	Date	Scale	Size
ACTALENT	06/06/2022	-	A0
Approved	Date	Projection	Request reference
XX	06/06/2022	1st	REQ_REF
The copying, distribution and utilization of this document without expressed authorization is prohibited. Firewalls will be held liable for reasons of damage. All rights reserved in the event of a patent, utility model or trademark design registration.			
		Document title	FIREWALL
		Date	DATE SCRIBE
		Document type	FV-080-DS
		Owner	Document prefix
		Document No	=2V05=V01AR14PF1
		Version	1
		Sheet No	1 / 1
		VOLVO FRAME 4x4	

16143-1080-500-1