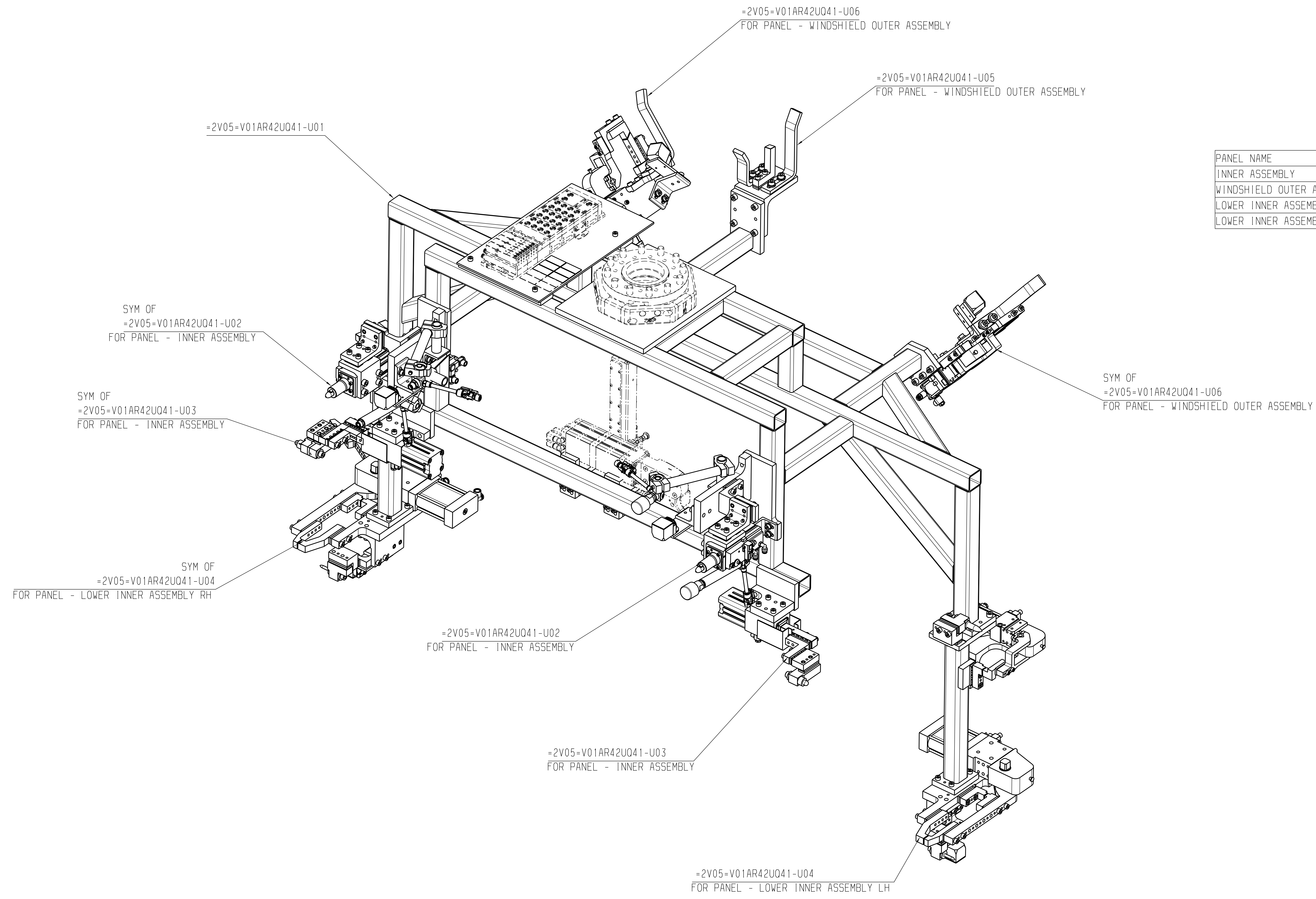


Engineering Release Notice	Location	Change description	Submitter	Approval	Document release status
ERN	XX	XX			DOC_REL_STATUS Date: XXXX-XX-XX Specification count: XX



PANEL NAME	X	Y	Z	Rot. X	Rot. Y	Rot. Z
INNER ASSEMBLY	0.00	0.00	0.00	0°	0°	0°
WINDSHIELD OUTER ASSEMBLY	-60.00	0.00	4652.00	180°	0°	0°
LOWER INNER ASSEMBLY LH	4080.00	-165.00	115.00	0°	-90°	0°
LOWER INNER ASSEMBLY RH	4080.00	165.00	115.00	0°	-90°	0°

ISO VIEW

STA 020  
UNIT KEYSHEET  
WEIGHT: 520.00\*

External Company	VOLVO		
External Specification	EXTERNAL SPECIFICATION		
Material	MATERIAL		
Surface Treatment	SURFACE TREATMENT		
DSM Number	DSM_NUMBER		
Symbols, designations and general drawing method STD 101-0005			
Tolerance unless otherwise stated ISO 2768-m Sharp edges broken when function allows			
Drawn by	Date	Scale	Proj
ACTALENT	06/08/022	1:4	A0
Approved	Date	Projection	Request reference
XX	XX	☉	REQ_REF

The copying, distribution and utilization of this document as well as the compilation of its contents to generate a third document without the express written consent of Volvo will be held liable for reasons of damage. All rights reserved in the event of the grant of a patent, will fully meet the essential design registration.

Document title: FIRE WALL END EFFECTOR FW-020-MH1  
Document type: -  
Drawn: actalent Document prefix: -  
Document no: XX  
=2V05=V01AR42U041-01  
Version: 01  
Sheet no: 1/2  
VOLVO TRUCK CORPORATION

16143-1020-420-1