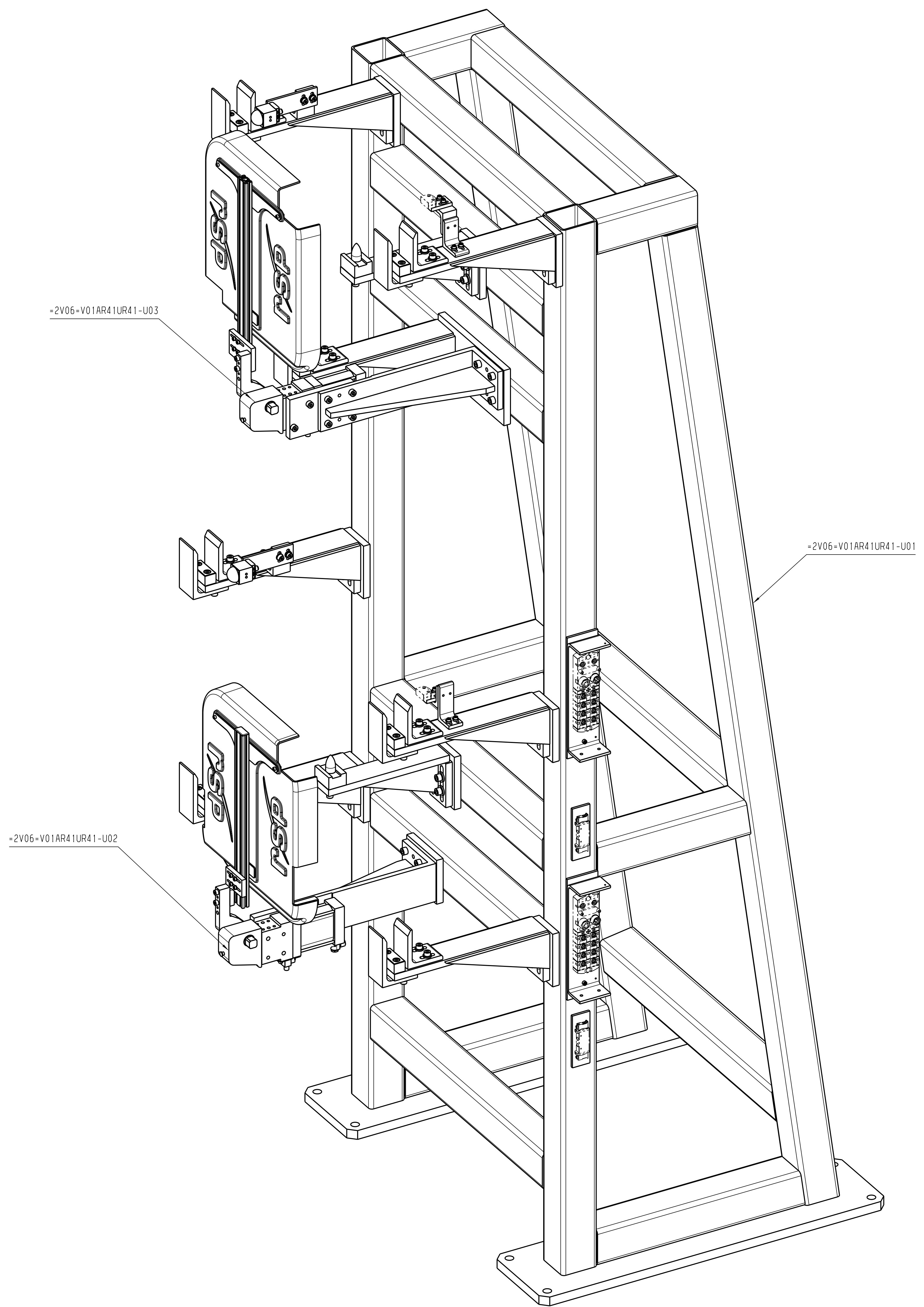


Engineering Release	Location	Change description	Subject	Version	Document release status
ER1	XX	XX	XX	XX	DOC_REL_STATUS
					Date: XXXX-XX-XX
					Specification count: XX



ISO VIEW

STA 020
KEYSHEET
WEIGHT: 1326.96 #

External Company	VOLVO		
External Specification	EXTERNAL SPECIFICATION		
Material	MATERIAL		
Surface Treatment	SURFACE TREATMENT		
DSM Number	DSM_NUMBER		
Symbols, designations and general drawing method STD 101-0005			
Tolerance unless otherwise stated ISO 2768-m Sharp edges broken when function allows			
Drawn by	Date	Scale	First
ACTALENT	05/25/2022	-	A0
Approved	Date	Projection	Request reference
XX	XX	1st angle	REQ_REF
The copying, distribution and utilization of this document as well as the compilation of its contents to generate a third document without the prior written consent of Volvo is prohibited. If any use is made for reasons of damage, all rights reserved in the event of the grant of a patent, will still exist by original design registration.		Document title	Version
		REAR WALL	01
		MH EQAT Drop Off Stand R01	1/1
		RA-020-SR1	
		Document type	
		Owner: domain/Document prefix	
		Document no	Version
		=2V06=V01AR41UR41	01
		Sheet no	1/1

16148-1020-430-1