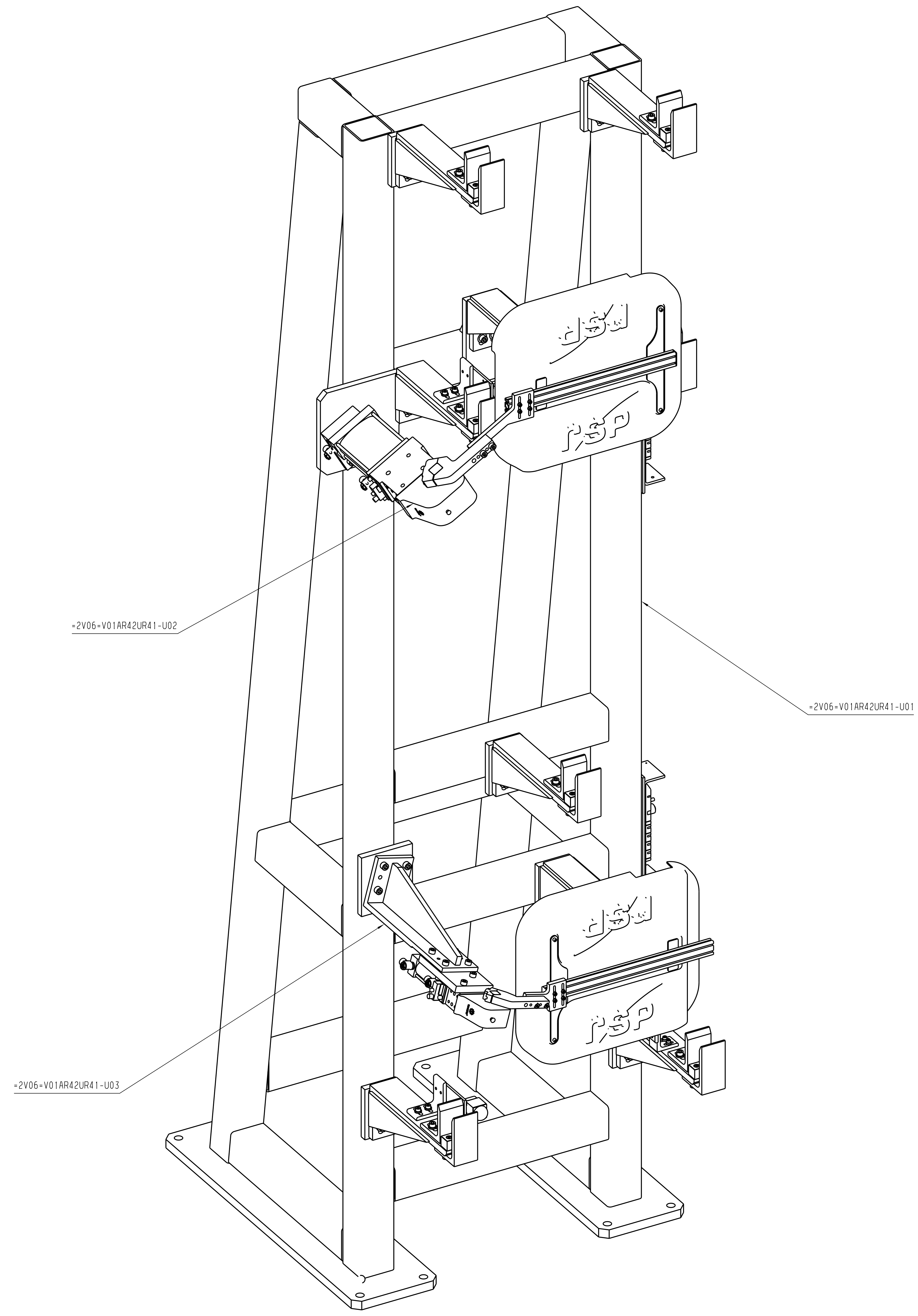


Engineering Release Notice	Release Location	Change description	Approved Drawing	Version	Document release status
ERN	XX	XX			DOC_REL_STATUS Date: XXXX-XX-XX Specification count: XX



STA 020
KEYSHEET
WEIGHT: 462.89#

External Company	VOLVO		
External Specification	EXTERNAL SPECIFICATION		
Material	MATERIAL		
Surface Treatment	SURFACE TREATMENT		
DSM Number	DSM_NUMBER		
Symbols, designations and general drawing method STD 101-0005			
Tolerance unless otherwise stated ISO 2768-m Sharp edges broken when function allows			
Drawn by	Date	Scale	First
Actalent	5/27/2022	1:5	A0
Approved	Date	Projection	Request reference
XX	XX	1st Angle	REQ_REF
The copying, distribution and utilization of this document as well as the completion of its contents to generate a third approved version is prohibited, of course will be held liable for reasons of damage. All rights reserved in the event of the grant of a patent, will be held by original design registration.		Document title	Document type
		REAR WALL GRIPPER STAND	REQ-SR2
		Document No	Version
		=2V06-V01AR42UR41	01
		Sheet No	1 / 1