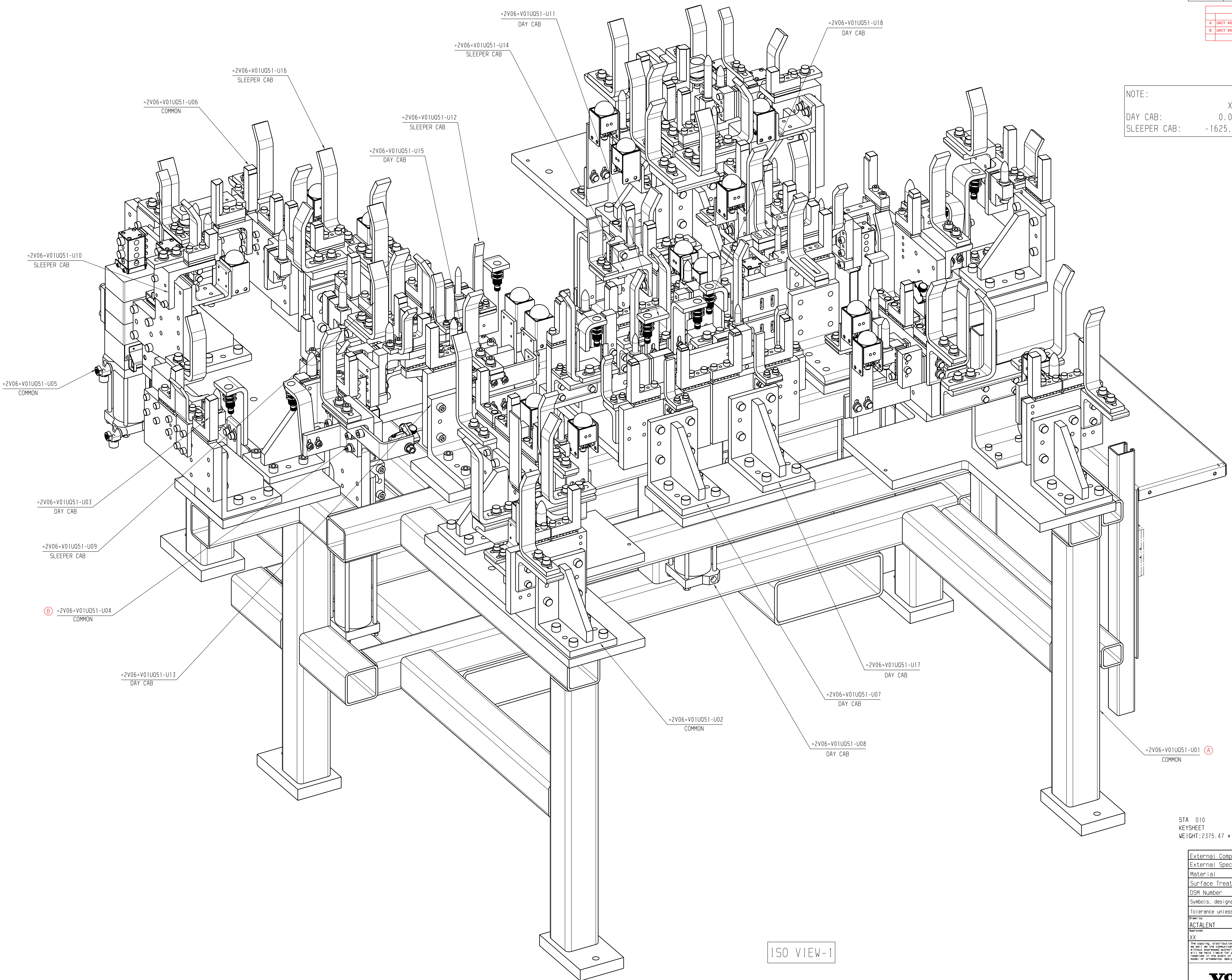


SHOP CHANGE		
CHANGES	DATE	CHANGED BY
A UNIT #01 MODIFIED	07/01/22	ACTALENT
B UNIT #04 REVISED PER ECN-012	11/07/22	S. DELMOTTE

NOTE:

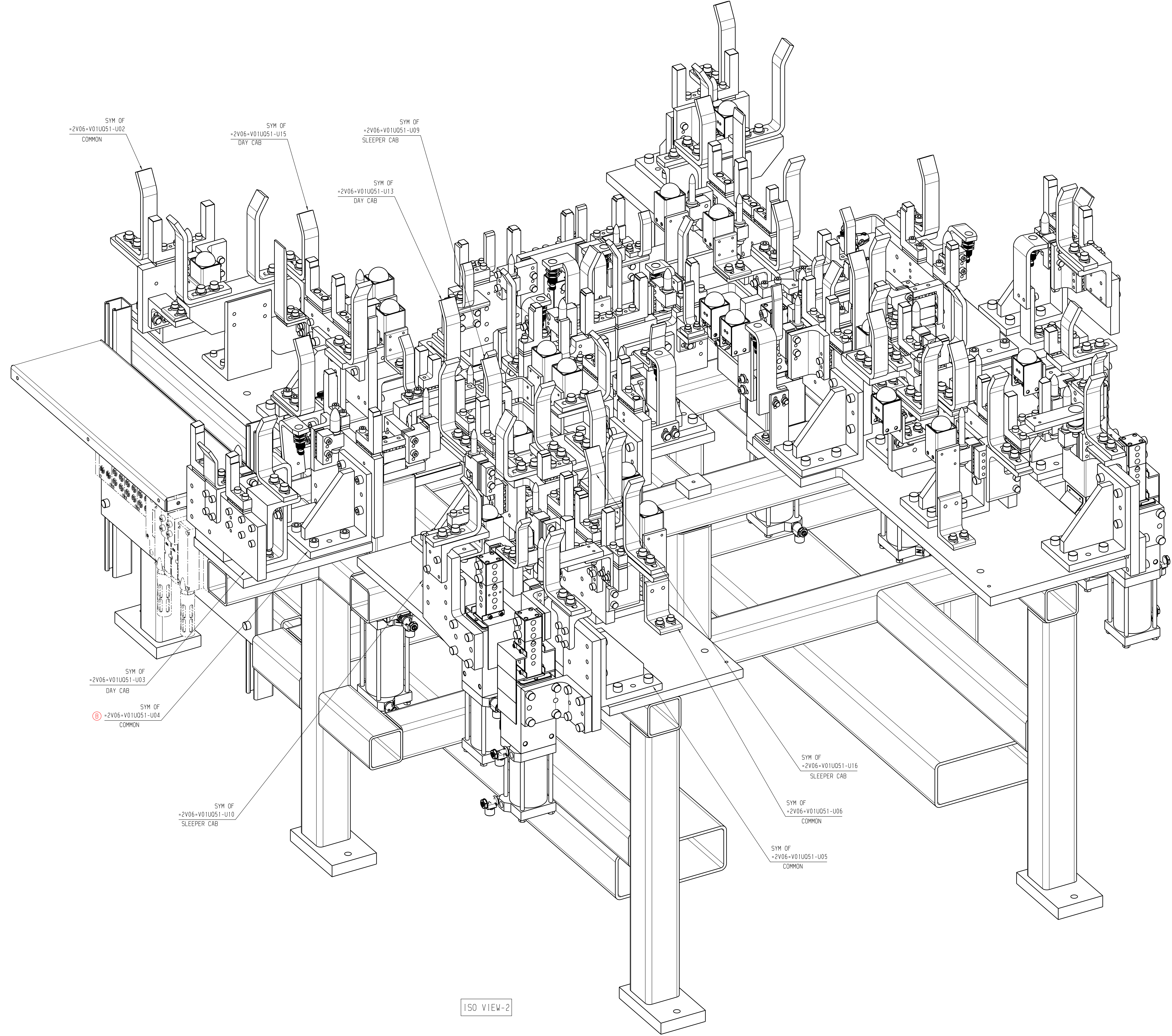
	X	Y	Z
DAY CAB:	0.00	0.00	0.00
SLEEPER CAB:	-1625.00	0.00	0.00



ISO VIEW-1

STA 010
KEYSHEET
WEIGHT: 2375.47 #

External Company	VOLVO
External Specification	EXTERNAL SPECIFICATION
Material	MATERIAL
Surface Treatment	SURFACE TREATMENT
DSM Number	DSM_NUMBER
Symbolic designations and general drawing method STD 101-0005	
Tolerance unless otherwise stated ISO 2768-m Sharp edges broken when function allows	
Drawn by	Date
ACTALENT	5/15/2022
Approved	Date
XX	XX
Project	Request reference
XX	REQ_REF
The copying, distribution and utilization of this document as well as the completion of its contents to generate a third approved version or its modification, without the prior written approval of the originator, is prohibited. All rights reserved in the event of a dispute, will be held by the originator.	
Document title	REAR WALL LOAD TABLE RW-010-LT1
Document No	2V06-V01U051
Version	01
Sheet No	11/2



ISO VIEW-2

External Company	VOLVO		
External Specification	EXTERNAL SPECIFICATION		
Material	MATERIAL		
Surface Treatment	SURFACE TREATMENT		
DSM Number	DSM_NUMBER		
Symbols, designations and general drawing method STD 101-0005			
Tolerance unless otherwise stated ISO 2768-m Sharp edges broken when function allows			
Drawn by	Date	Proj	Rev
ACTALENT	5/15/2022	-	A0
Approved	Date	Projection	Request reference
XX	XX	1st	REQ_REF
The copying, distribution and utilization of this document as well as the compilation of its contents to generate a third approved version or its derivatives, of course will be held liable for reasons of damage. All rights reserved in the event of the grant of a patent, will be held by the original design registration.		Document title	Sheet No
		REAR WALL LOAD TABLE RW-D10-L11	2/2
		Document type	
		Document prefix	
		Document No	Version
		=2V06=V01U051	01
			2/2