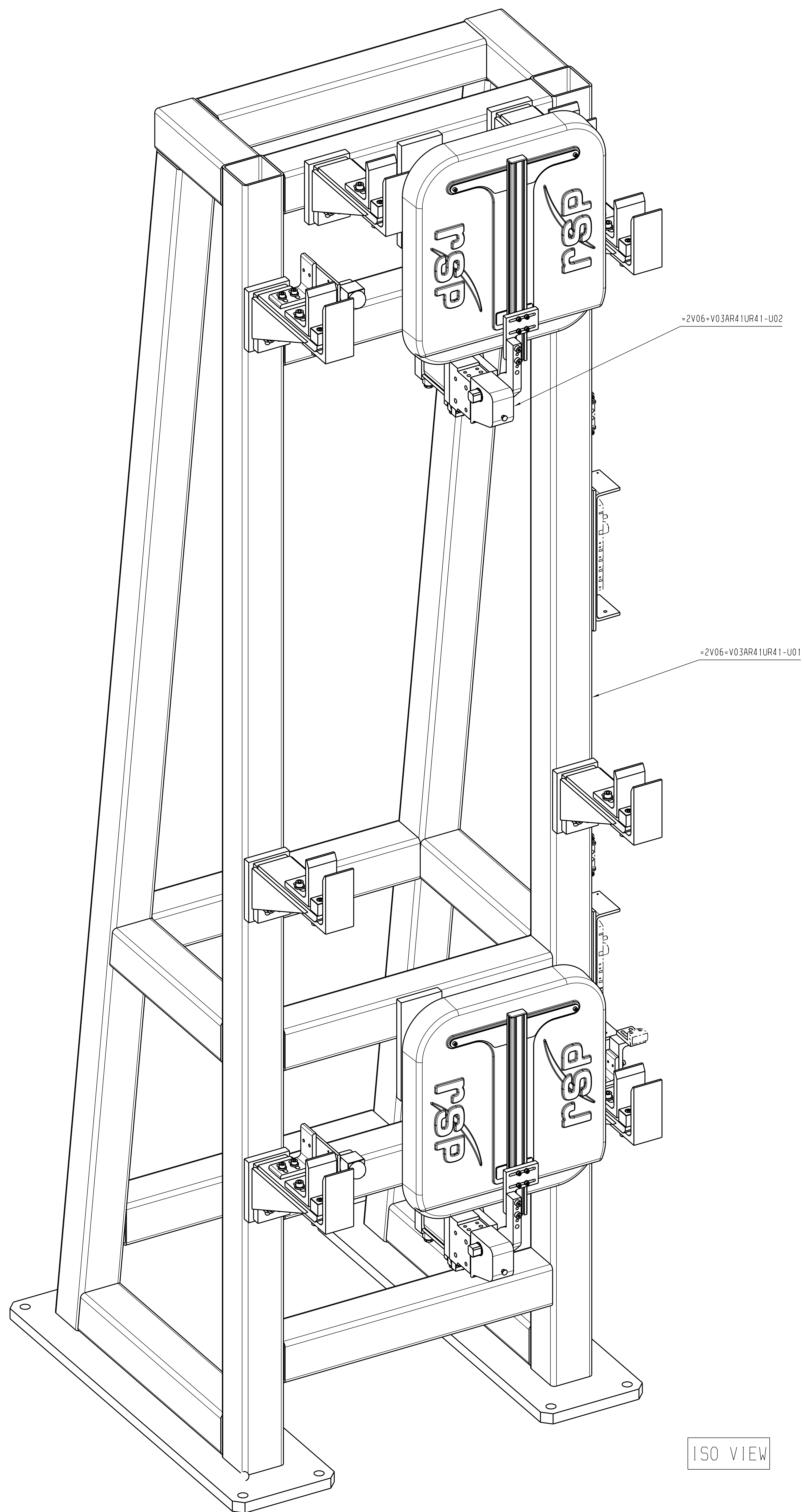


Engineering Release Notice	Release Location	Change description	Approved Drawing	Version	Document release status
ERN	XX	XX			DOC_REL_STATUS Date: XXXX-XX-XX Revision count: XX



ISO VIEW

STA 050
UNIT KEYSHEET
WEIGHT: 1194.86#

External Company	VOLVO
External Specification	EXTERNAL SPECIFICATION
Material	MATERIAL
Surface Treatment	SURFACE TREATMENT
DSM Number	DSM_NUMBER

Symbols, designations and general drawing method STD 101-0005
Tolerance unless otherwise stated ISO 2768-m Sharp edges broken when function allows

Drawn by	Date	Drawn	Drawn
Actalent	5/28/2022	-	A0
Approved	Date	Projection	Request reference
XX	XX	1st	REQ_REF

The copying, distribution and utilization of this document as well as the compilation of its contents to generate a third document without the prior written consent of Volvo is prohibited. Volvo is not liable for damages of any kind, including consequential damages, arising from the use of this document. All rights reserved. Volvo is a registered trademark of Volvo Group. Volvo is a registered trademark of Volvo Group.

VOLVO Volvo Truck Corporation		Owner: Volvo Truck Corporation
Document No	Version	Sheet No
=2V06-V03AR41UR41	01	1 / 1

16148-1050-430-1