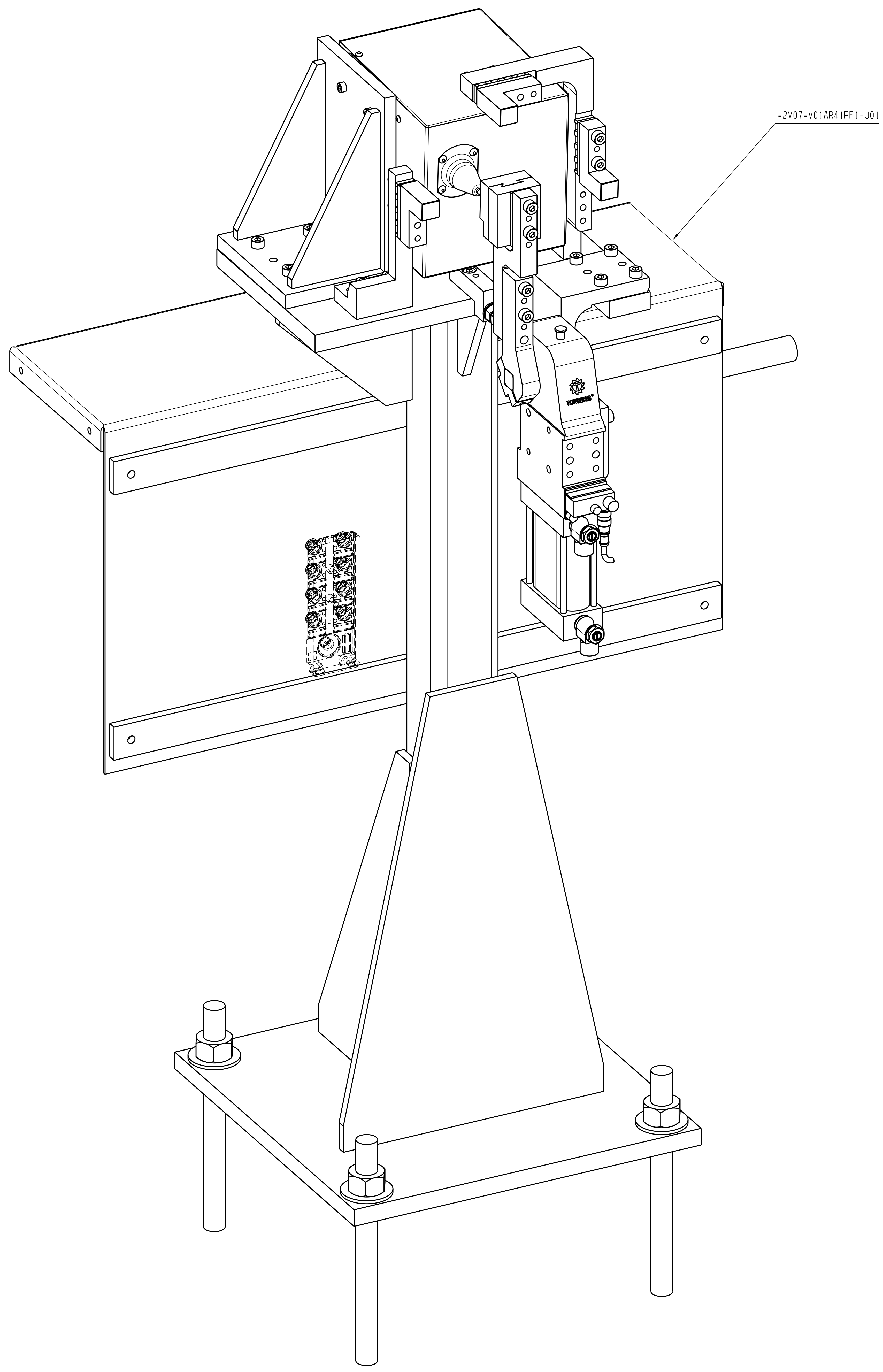


Engineering Release Notice	Location	Change description	Submitter	Approval	Document release status
ERN	XX	XX			DOC_REL_STATUS Date: XXXX-XX-XX Revision count: XX



STA 040
KEYSHEET
WEIGHT: 239.17*

External Company	VALIANT
External Specification	EXTERNAL SPECIFICATION
Material	MATERIAL
Surface Treatment	SURFACE TREATMENT
DSM Number	DSM_NUMBER
Symbols, designations and general drawing method STD 101-0005	
Tolerance unless otherwise stated ISO 2768-m Sharp edges broken when function allows	
Drawn by	Date
JET	6/1/2022
Approved	Date
XX	XX
The copying, distribution and utilization of this document as well as the completion of its contents to generate without expressed authorization is prohibited. If there will be any further use for reasons of damage, all rights reserved in the world of the patent, will be held by the original design registration.	
Document title	ROOF INNER DOOR RING
DATE SCRIBE	RF-040-DS
Document type	REQ_REF

VOLVO Volvo Truck Corporation	
Document No	Version
=2V07=V01AR41PF1	01
Sheet No	1/1

16144-1040-500-1