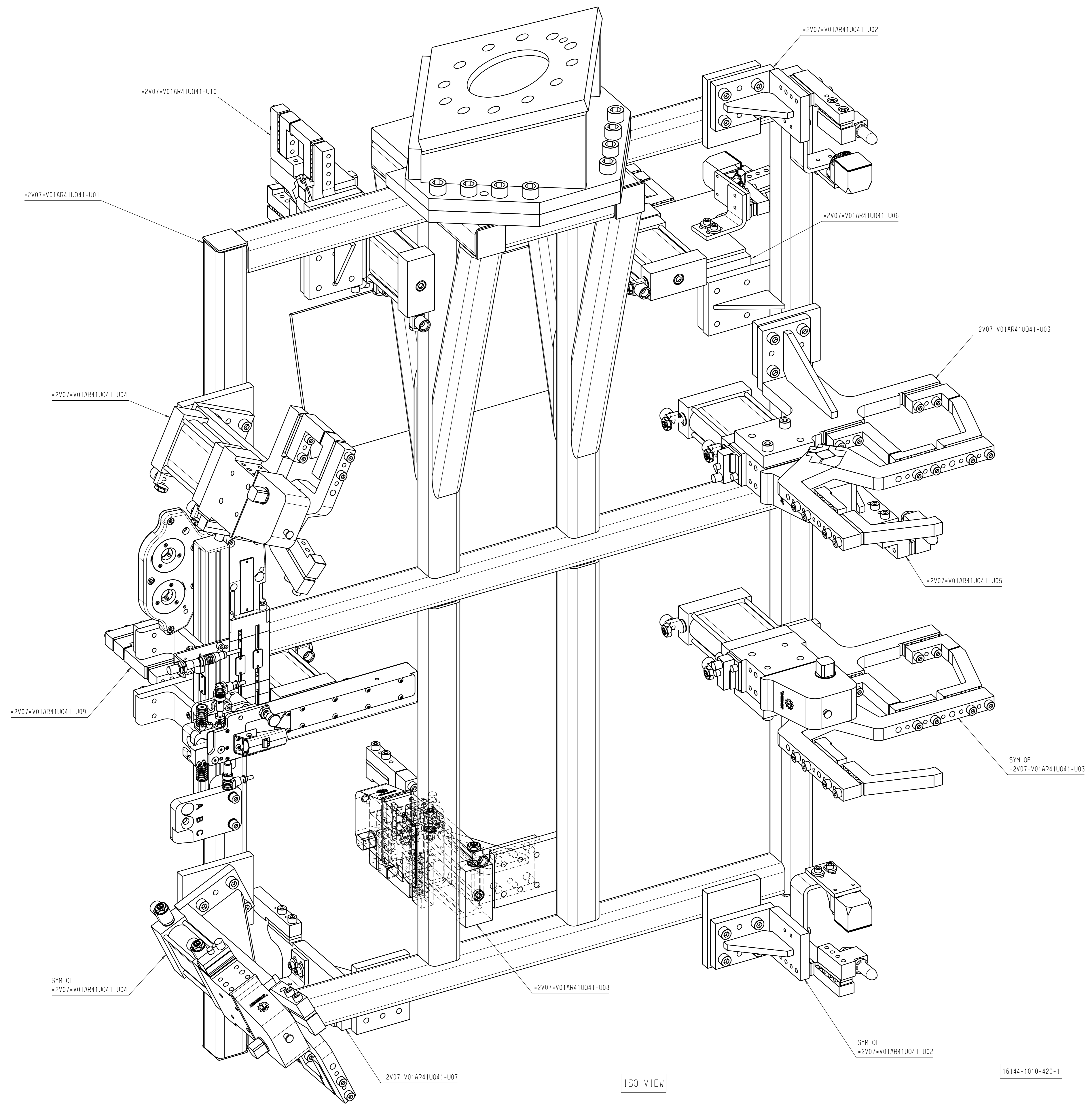


Engineering Release Date: ERN	Location XX	Change description XX	A-Added C-Changed U-Used	U-Used	Document release status DOC_REL_STATUS Date: XXXX-XX-XX Sheet location count: XX
----------------------------------	----------------	--------------------------	--------------------------------	--------	---



STA 010  
KEYSHEET  
WEIGHT: 634#

External Company	VOLVO		
External Specification	EXTERNAL SPECIFICATION		
Material	MATERIAL		
Surface Treatment	SURFACE TREATMENT		
DSM Number	DSM_NUMBER		
Symbols, designations and general drawing method STD 101-0005			
Tolerance unless otherwise stated ISO 2768-m Sharp edges broken when function allows			
Drawn by	Date	Scale	Size
T. SCHANKIN	04/20/2022	-	A0
Approved	Date	Projection	Request Reference
XX	XX	1st	REQ_REF
The copying, distribution and utilization of this document as well as the communication of its contents to other persons without express or implied consent of Volvo Group is prohibited. In the event of a patent, utility model or ornamental design registration, the holder's rights are reserved.		Document title	Sheet No
		ROOF INNER MH ED01 RF-010-MH1	1/1
VOLVO Volvo Truck Corporation		Drawn by: Document draft XX	Document No =2V07-V01AR41U041
		Version	Sheet No
			1/1

16144-1010-420-1

ISO VIEW