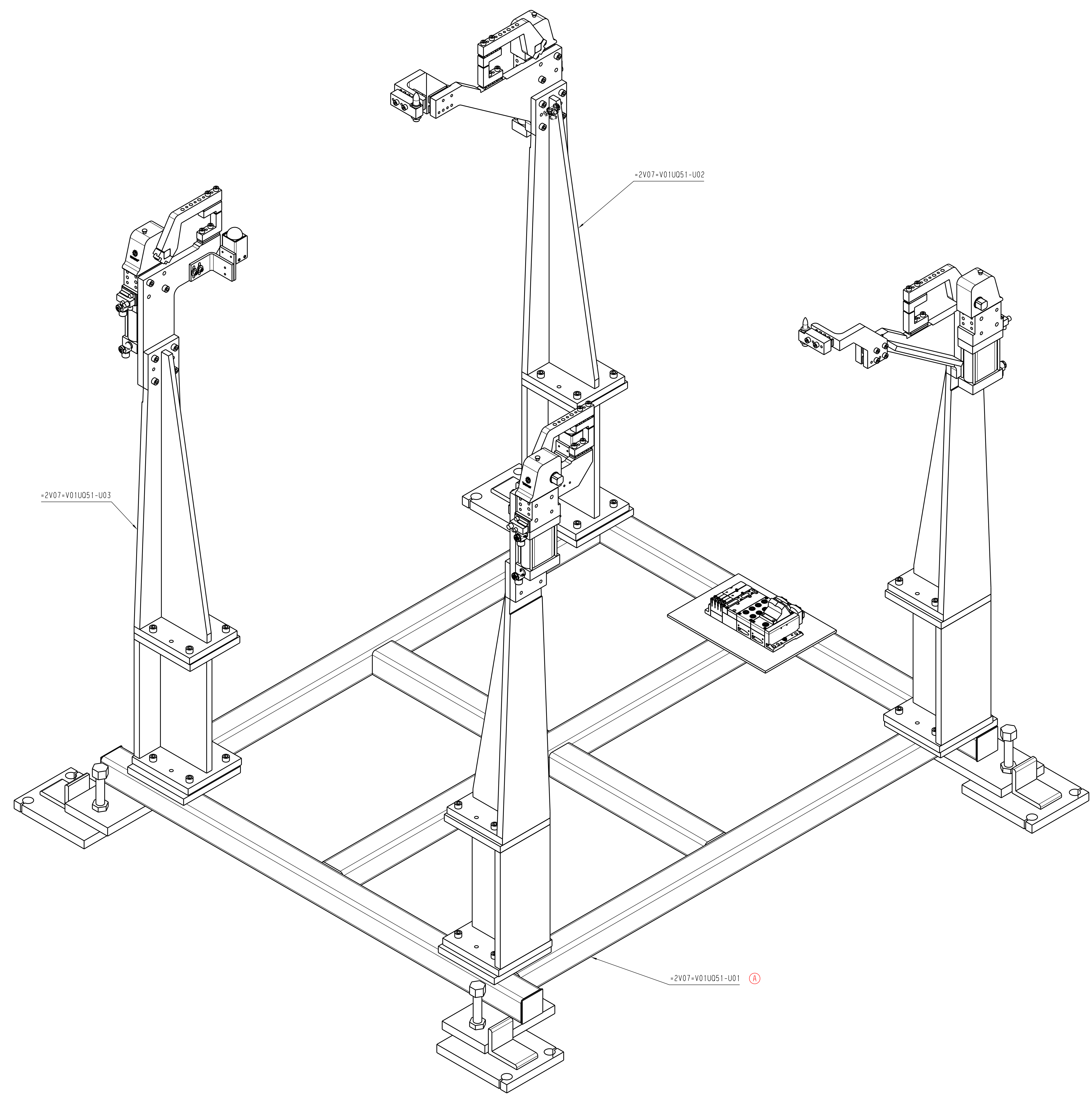


SHOP CHANGE			
CHANGES	DATE	CHANGED BY	
A UNIT 01 MODIFIED	08/30/22	JET	



STA 030
KEYSHEET
WEIGHT: 1304.09#

External Company	VALIANT		
External Specification	EXTERNAL SPECIFICATION		
Material	MATERIAL		
Surface Treatment	SURFACE TREATMENT		
DSM Number	DSM_NUMBER		
Symbols, designations and general drawing method STD 101-0005			
Tolerance unless otherwise stated ISO 2768-m Sharp edges broken when function allows			
Drawn by	Date	Drawn by	Date
JET	5/19/2022	AO	AO
Approved	Date	Projection	Request reference
XX	XX	1	REQ_REF

The copying, distribution and utilization of this document as well as the completion of its contents to generate without expressed authorization is prohibited. If there will be any issue for reasons of damage, all rights reserved in the world of the present, will be held by the original design registration.

Document title: ROOF INNER VISION HOLDING FIXTURE
REF: 030-VC
Document type:

