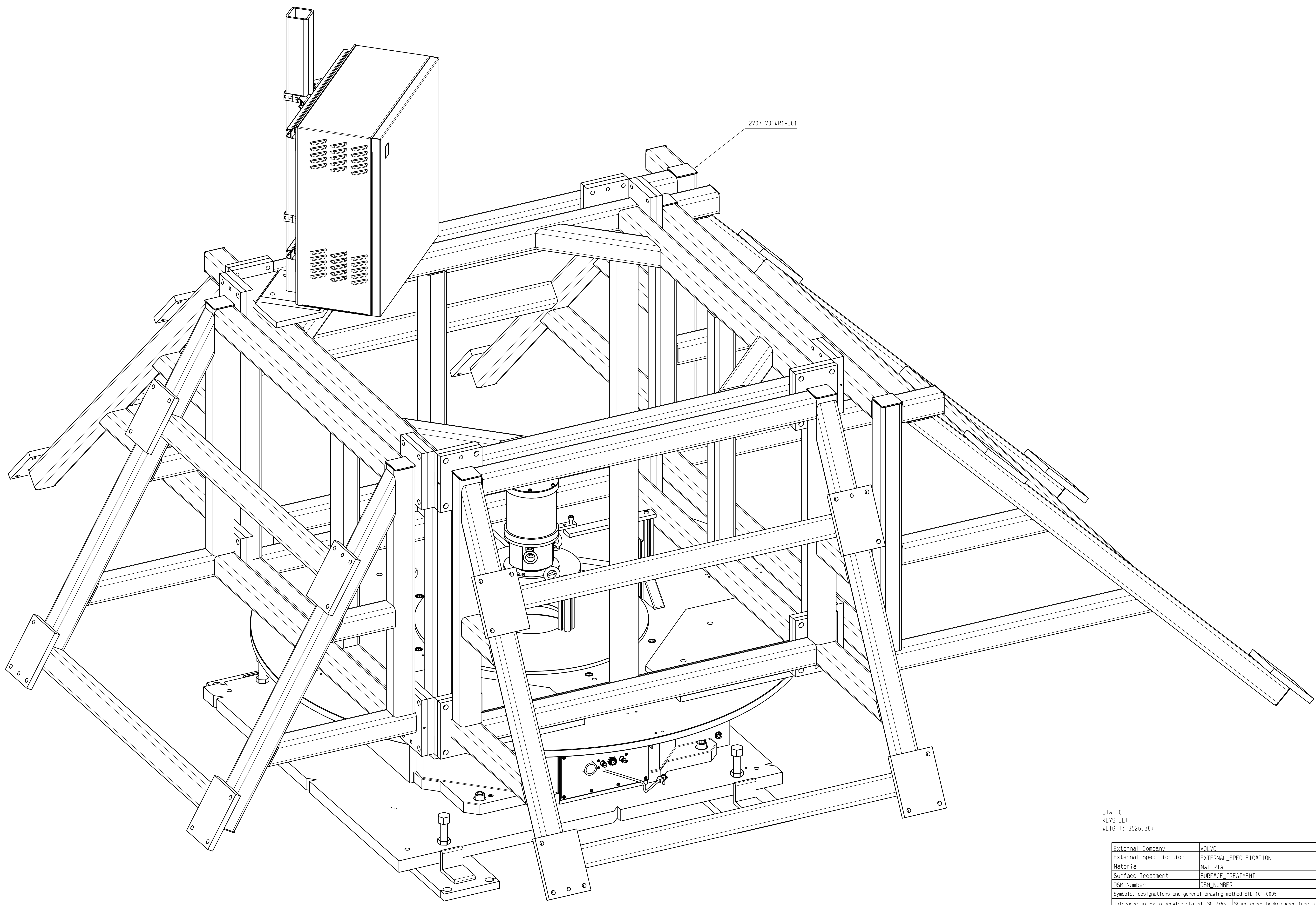


Engineering Release	Location	Change description	Subject	Doc. release status
XX	XX	XX	XX	DOC_REL_STATUS
ERN	XX	XX	XX	Date: XXXX-XX-XX Specification count: XX



STA 10
KEYSHEET
WEIGHT: 3526.38#

External Company	VOLVO		
External Specification	EXTERNAL SPECIFICATION		
Material	MATERIAL		
Surface Treatment	SURFACE TREATMENT		
DSM Number	DSM_NUMBER		
Symbols, designations and general drawing method STD 101-0005			
Tolerance unless otherwise stated ISO 2768-m Sharp edges broken when function allows			
Drawn by	Date	Scale	Proj.
T. Schankin	5/11/2022	1:1	A0
Approved	Date	Projection	Request reference
XX	XX	1st	REQ_REF
The copying, distribution and utilization of this document as well as the completion of its contents to drawings without expressed authorization is prohibited. If there will be third parties for reasons of damage. All rights reserved in the event of the grant of a patent, will this model of structural design registration.		Document title	Document type
		ROOF INNER TURNTABLE	REF-010-TT
		Owner: Volvo Truck Corporation	Document prefix
Document No	Version	Sheet No	
=2V07=V01WR1	01	11/1	

16144-1010-137-1