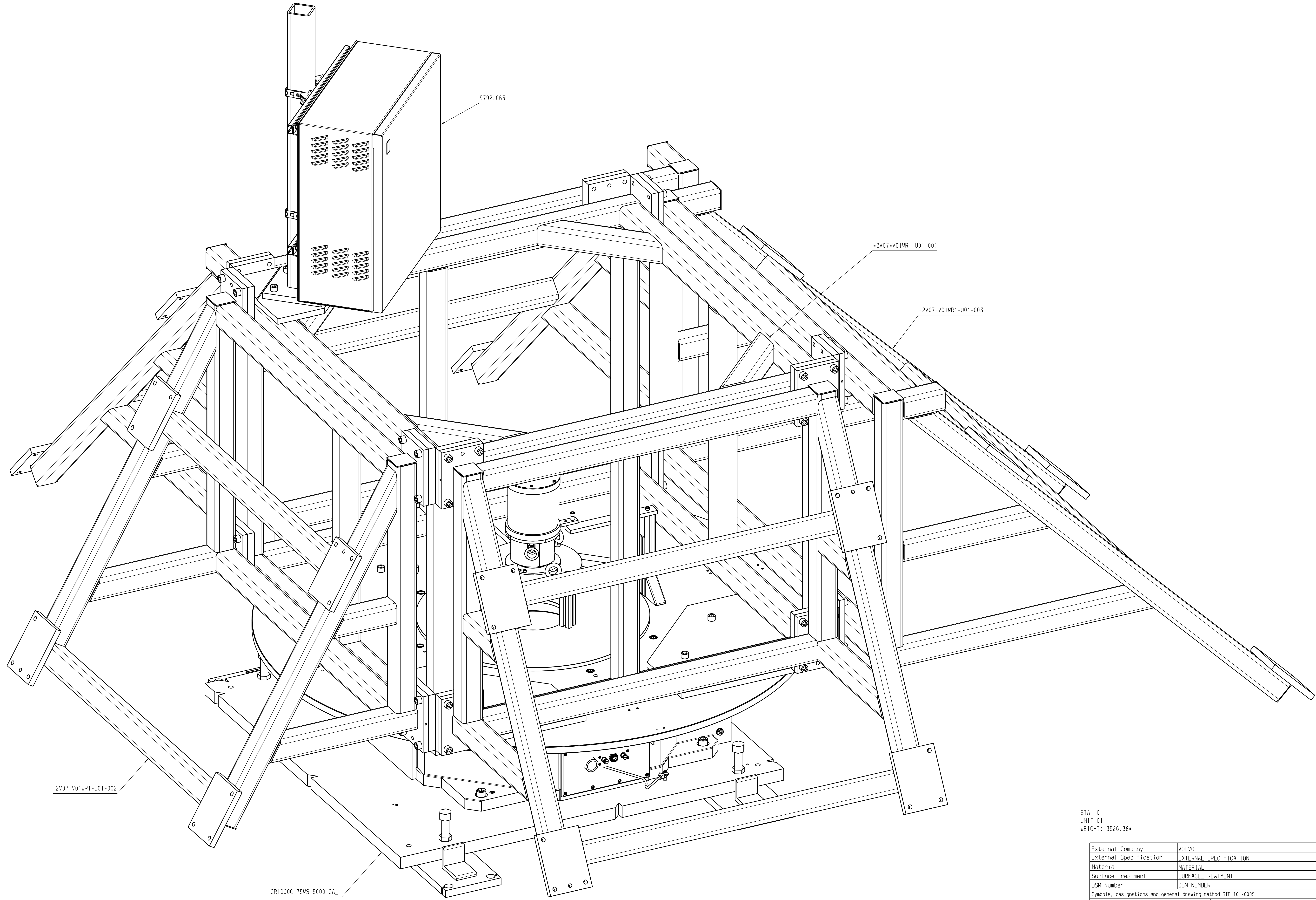


Engineering Release	Location	Change description	Author	Checked	Doc. release status
ERN	XX	XX	XX	XX	DOC_REL_STATUS Date: XXXX-XX-XX Specification count: XX



STA 10
UNIT 01
WEIGHT: 3526.38*

External Company	VOLVO		
External Specification	EXTERNAL SPECIFICATION		
Material	MATERIAL		
Surface Treatment	SURFACE TREATMENT		
DSM Number	DSM_NUMBER		
Symbols, designations and general drawing method STD 101-0005			
Tolerance unless otherwise stated ISO 2768-m Sharp edges broken when function allows			
Drawn by	Date	Scale	Proj.
T. Schankin	5/11/2022	1:1	A0
Approved	Date	Request reference	REQ_REF
XX	XX		REQ_REF
The copying, distribution and utilization of this document as well as the completion of its contents to generate a third document without the prior written consent of Volvo will be held liable for reasons of damage. All rights reserved in the event of the grant of a patent, utility model or industrial design registration.		Document title	Document type
		ROOF INNER TURNTABLE	REF-010-TT
		Document No	Version
		=2V07-V01WR1	01
		Sheet No	11/1

16144-1010-137-1-001