

1. VLU letter codes.

- Our interpretation of IEC 81346-2 is presented in the Excel document: "VLU 81346-2 (interpretation)"

2. Colour coding

Description	Colour	IEC 60204	Minimum area
Power circuits 400/230 VAC	Black	bk	1,5mm ²
Control circuit 230 VAC	Red	rd	1,0mm ²
Control circuit 24 VAC	Red	rd	1,0mm ²
Control circuit 24 VDC	Dark blue	bu	1,0mm ²
Control circuit before main switch or external control signals	Orange	og	1,5mm ²
Protective conductor PE (Earth)	Green/yellow	gnye	1,5mm ²
Neutral	Light blue	bu	1,5mm ²
Test leads	Blue	bu	1,5mm ²
EX safe circuit	Medium blue	bu	1,5mm ²
Shield	Transparent	sh	1,5mm ²

Purpose

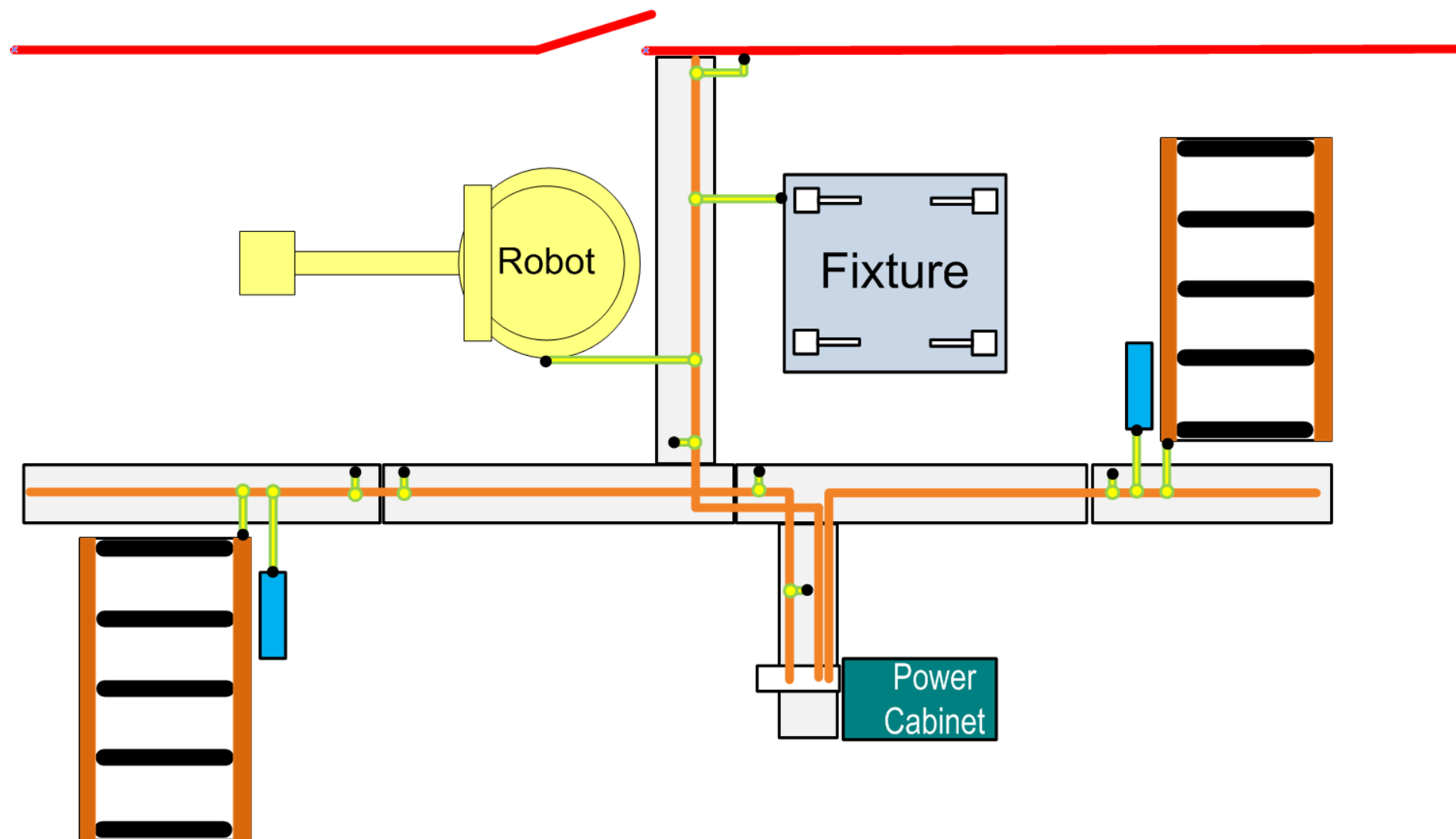
This dokument is made to avoid any misconceptions about the standards we have to uphold regarding PUS-grounding connections in compliance with the electrical regulations contained in [SS-EN 60204-1](#).

Fundamental principles

All PUS-grounding connections originate from one PUS-grounding block, which is mounted either on the outside or directly on the main cabinet. This block is then connected with a 16mm² yellow/green wire from the main cabinets groundingbar, this wire is labled (PUS1).

From this block a network of uninsulated copper wiring is spread across the plant. At every PUS connection point a 6mm² wire composed of a tapp-off clamp aswell as a cableharness is used to connect the surface to the PUS-grounding network.

PUS-grounding example



Date	1/17/2023	Volvo Trucks North America	Valiant TMS	PUS policy	Drawing name:	=
Ed.	MKLEPADLO				=2V07&EFS-EL	+
Appr		P6700 Roof Inr & Dr Ring LH - Cell 2V07			Document type:	Project nr:
Original		Replacement of	Replaced by		EAA	22-16144
Modification	Date	Name			Scale 1:1	Page 4
						509

Table of contents

Column X: An automatically generated page was edited

F06_001

Page	Page description	supplementary page field	Date	Edited by	X
&EAA/1	Title page / cover sheet		1/17/2023	MKLEPADLO	
&EAA/2	Project structure	UC11	1/17/2023	MKLEPADLO	
&EAA/3	Letter codes/colors	UC11	1/17/2023	MKLEPADLO	
&EAA/4	PUS policy	UC11	1/17/2023	MKLEPADLO	
&EAB/1	Table of contents : &EAA/1 - &EFS=KF0KF1+UC31/14		1/17/2023	MKLEPADLO	
&EAB/2	Table of contents : &EFS=KF0KF1+UC31/18 - &EFS=V1AR41UQ41KF1+V1AR41UQ41/2		1/17/2023	MKLEPADLO	
&EAB/3	Table of contents : &EFS=V1AR41UQ41KF1+V1AR41UQ41/3 - &EFS=V1FQ1+V1UC14/1		1/17/2023	MKLEPADLO	
&EAB/4	Table of contents : &EFS=V1FQ1+V1UC14/2 - &EFS=V1KF1+V1UC11/17		1/17/2023	MKLEPADLO	
&EAB/5	Table of contents : &EFS=V1KF1+V1UC11/18 - &EFS=V1KF1+V1UC46/11		1/17/2023	MKLEPADLO	
&EAB/6	Table of contents : &EFS=V1PZ1PF1+V1UC61/1 - &EFS=V1WC3+V1UC11/1		1/17/2023	MKLEPADLO	
&EAB/7	Table of contents : &EFS=V1WC3+V1UC11/2 - &EFS=V1WC4+V1UC11/26		1/17/2023	MKLEPADLO	
&EAB/8	Table of contents : &EFS=V1WC4+V1UC11/27 - &EFS=V1WR1KF2+V1WR1/1		1/17/2023	MKLEPADLO	
&EAB/9	Table of contents : &EFS=V1WR1UQ51BG0+V1WR1UQ51/1 - &EFS=V1WR1UQ52UQ5+V1WR1UQ52UQ05/1		1/17/2023	MKLEPADLO	
&EAB/10	Table of contents : &EFS=V1WR1UQ52UQ6+V1WR1UQ52UQ06/1 - &EPB/1		1/17/2023	MKLEPADLO	
&EAB/11	Table of contents : &EPB+UC31/1 - &EPB+V1UC11/2		1/17/2023	MKLEPADLO	
&EAB/12	Table of contents : &EPB+V1UC14/1 - &EPB+V1WR1UQ52/1		1/17/2023	MKLEPADLO	
&EAB/13	Table of contents : &EPB+V1WR1UQ52UQ1.1/1 - &EPB+V1WR1UQ52UQ7.3/1		1/17/2023	MKLEPADLO	
&EAB/14	Table of contents : &EPB+V1WR1UQ52UQ7.4/1 - &ETT/21		1/17/2023	MKLEPADLO	
&EAB/15	Table of contents : &ETT/22 - &EXX/2		1/17/2023	MKLEPADLO	
&EAB/16	Table of contents : &EXX/3 - &EAZ/4		1/17/2023	MKLEPADLO	
&EFA=FQ99V1+V1/1	EQUIPMENT BONDING		1/17/2023	MKLEPADLO	
&EFA=FQ99V1+V1/2	EQUIPMENT BONDING		1/17/2023	MKLEPADLO	
&EFA=FQ99V1+V1/3	EQUIPMENT BONDING		1/17/2023	MKLEPADLO	
&EFA=FQ99V1+V1/4	EQUIPMENT BONDING		1/17/2023	MKLEPADLO	
&EFS=KF0FQ0+UC31/1	Operating box UC91 MOP		1/17/2023	MKLEPADLO	
&EFS=KF0KF1+UC31/1	CPU 1515-F-2PN, Failsafe		1/17/2023	MKLEPADLO	
&EFS=KF0KF1+UC31/2	Cell interface S615		1/17/2023	MKLEPADLO	
&EFS=KF0KF1+UC31/3	Switch, Scalance XC216		1/17/2023	MKLEPADLO	
&EFS=KF0KF1+UC31/6	MOP, PC		1/17/2023	MKLEPADLO	
&EFS=KF0KF1+UC31/10	Network overview		1/17/2023	MKLEPADLO	
&EFS=KF0KF1+UC31/11	IM 155 PN		1/17/2023	MKLEPADLO	
&EFS=KF0KF1+UC31/12	ET200S Wiring DI		1/17/2023	MKLEPADLO	
&EFS=KF0KF1+UC31/14	ET200S Wiring DO		1/17/2023	MKLEPADLO	

&EAA/4

2


Date	1/17/2023	Volvo Trucks North America	Valiant TMS	Table of contents : &EAA/1 - &EFS=KF0KF1+UC31/14	Drawing name: =2V07&EFS-EL	=	
Ed.	MKLEPADLO	 P6700 Roof Inr & Dr Ring LH - Cell 2V07	Scale 1:1		Document type: EAB	Project nr: 22-16144	
Appr					Page	1	
Modification	Date	Name	Original	Replacement of	Replaced by	Page	509

Table of contents

Column X: An automatically generated page was edited

F06_001

Page	Page description	supplementary page field	Date	Edited by	X
&EFS=KF0KF1+UC31/18	ET200S Wiring F-DI		1/17/2023	MKLEPADLO	
&EFS=KF0KF1+UC31/21	ET200S Cross-reference Input module		1/17/2023	MKLEPADLO	
&EFS=KF0KF1+UC31/41	ET200S Cross-reference Output module		1/17/2023	MKLEPADLO	
&EFS=KF0KF1+UC31/81	ET200S Cross-reference Safe input module		1/17/2023	MKLEPADLO	
&EFS=KF0PZ1+UC31/1	Indication column		1/17/2023	MKLEPADLO	
&EFS=KF0SF1+UC31/1	Operating box UC91 MOP		1/17/2023	MKLEPADLO	
&EFS=KF0SF1+UC31/2	Operating box UC92 MOP		1/17/2023	MKLEPADLO	
&EFS=KF0WC3+UC31/1	Incomming power supply 120 VAC		1/17/2023	MKLEPADLO	
&EFS=KF0WC3+UC31/2	Outlet PLC 120VAC		1/17/2023	MKLEPADLO	
&EFS=KF0WC3+UC31/3	Monitoring 120VAC		1/17/2023	MKLEPADLO	
&EFS=KF0WC4+UC31/1	Power distribution 24VDC		1/17/2023	MKLEPADLO	
&EFS=KF0WC4+UC31/2	Power distribution, UPS		1/17/2023	MKLEPADLO	
&EFS=KF0WC4+UC31/3	Power distribution 24VDC 1L+		1/17/2023	MKLEPADLO	
&EFS=KF0WC4+UC31/4	Power distribution 24VDC 2L+		1/17/2023	MKLEPADLO	
&EFS=KF0WC4+UC31/5	Power distribution 24VDC 3L+		1/17/2023	MKLEPADLO	
&EFS=KF0WC4+UC31/6	Power distribution 24VDC 4L+		1/17/2023	MKLEPADLO	
&EFS=KH0+KH0/1	Incoming air supply (Main)		1/17/2023	MKLEPADLO	
&EFS=KH0+KH0/2	Incoming air supply (Turntable)		1/17/2023	MKLEPADLO	
&EFS=KH0+KH0/3	Incoming air supply (S030 Fixture)		1/17/2023	MKLEPADLO	
&EFS=KH0+KH0/4	Incoming air supply (S050-FG1)		1/17/2023	MKLEPADLO	
&EFS=KH0+KH0/5	Incoming air supply (S050-FG2)		1/17/2023	MKLEPADLO	
&EFS=KH3+KH3/1	Incoming water supply (Filter)		1/17/2023	MKLEPADLO	
&EFS=KH3+KH3/2	Incoming water supply (Main)		1/17/2023	MKLEPADLO	
&EFS=V1AR21KF1+V1AR21UC01/1	Incoming Profinet		1/17/2023	MKLEPADLO	
&EFS=V1AR21WC1+V1AR21UC01/1	Incoming power		1/17/2023	MKLEPADLO	
&EFS=V1AR21XQ11WC1+V1AR21XQ11UC01/1	Incoming power		1/17/2023	MKLEPADLO	
&EFS=V1AR22KF1+V1AR22UC01/1	Incoming Profinet		1/17/2023	MKLEPADLO	
&EFS=V1AR22WC1+V1AR22UC01/1	Incoming power		1/17/2023	MKLEPADLO	
&EFS=V1AR22XQ11WC1+V1AR22XQ11UC01/1	Incoming power		1/17/2023	MKLEPADLO	
&EFS=V1AR41KF1+V1AR41UC01/1	Incoming Profinet		1/17/2023	MKLEPADLO	
&EFS=V1AR41UQ41BG0+V1AR41UQ41/1	SENSORS		1/17/2023	MKLEPADLO	
&EFS=V1AR41UQ41KF1+V1AR41UQ41/1	24VDC SUPPLY AND PROFINET HANDLING MODULE		1/17/2023	MKLEPADLO	
&EFS=V1AR41UQ41KF1+V1AR41UQ41/2	CONNECTING MOD. FOR MPA MANIFOLD		1/17/2023	MKLEPADLO	

Date	1/17/2023	Volvo Trucks North America	Valiant TMS	Table of contents : &EFS=KF0KF1+UC31/18 - &EFS=V1AR41UQ41KF1+V1AR41UQ41/2	Drawing name: =2V07&EFS-EL	=	
Ed.	MKLEPADLO	P6700 Roof Inr & Dr Ring LH - Cell 2V07	Scale 1:1		Document type: EAB	Project nr: 22-16144	
Appr							
Modification	Date	Name	Original	Replacement of	Replaced by	Page	2
							509

Table of contents

Column X: An automatically generated page was edited

F06_001

Page	Page description	supplementary page field	Date	Edited by	X
&EFS=V1AR41UQ41KF1+V1AR41UQ41/3	I/O MOD. DI16 (8 x M12) FOR MPA		1/17/2023	MKLEPADLO	
&EFS=V1AR41UQ41KF1+V1AR41UQ41/4	CONNECTING MOD. FOR FESTO DQ		1/17/2023	MKLEPADLO	
&EFS=V1AR41UQ41UQ1+V1AR41UQ41UQ1/1	FESTO DQ CONNECTION QN1		1/17/2023	MKLEPADLO	
&EFS=V1AR41UQ41UQ2+V1AR41UQ41UQ2/1	FESTO DQ CONNECTION QN2		1/17/2023	MKLEPADLO	
&EFS=V1AR41WC1+V1AR41UC01/1	Incoming power		1/17/2023	MKLEPADLO	
&EFS=V1AR41XQ11WC1+V1AR41XQ11UC01/1	Incoming power		1/17/2023	MKLEPADLO	
&EFS=V1AR191KF1+V1AR191UC01/1	Incoming Profinet		1/17/2023	MKLEPADLO	
&EFS=V1AR191WC1+V1AR191UC01/1	Incoming power		1/17/2023	MKLEPADLO	
&EFS=V1BX11WC3+V1BX11UC01/1	Incoming power & profinet		1/17/2023	MKLEPADLO	
&EFS=V1FG1BG0+V1FG1/1	SENSORS		1/17/2023	MKLEPADLO	
&EFS=V1FG1KF1+V1FG1/1	CONNECTING MOD. FOR VTSA MANIFOLD		1/17/2023	MKLEPADLO	
&EFS=V1FG1KF1+V1FG1/2	CONNECTING MOD. FOR FESTO DQ		1/17/2023	MKLEPADLO	
&EFS=V1FG1UQ1+V1FG1UQ1/1	FESTO DQ CONNECTION QN1		1/17/2023	MKLEPADLO	
&EFS=V1FG2BG0+V1FG2/1	SENSORS		1/17/2023	MKLEPADLO	
&EFS=V1FG2KF1+V1FG2/1	CONNECTING MOD. FOR VTSA MANIFOLD		1/17/2023	MKLEPADLO	
&EFS=V1FG2KF1+V1FG2/2	CONNECTING MOD. FOR FESTO DQ		1/17/2023	MKLEPADLO	
&EFS=V1FG2UQ1+V1FG2UQ1/1	FESTO DQ CONNECTION QN1		1/17/2023	MKLEPADLO	
&EFS=V1FQ1+V1FQ1/1	Door lock sensor -BG1		1/17/2023	MKLEPADLO	
&EFS=V1FQ1+V1FQ1/2	Door lock sensor -BG2		1/17/2023	MKLEPADLO	
&EFS=V1FQ1+V1FQ1/3	Door lock sensor -BG3		1/17/2023	MKLEPADLO	
&EFS=V1FQ1+V1FQ1/5	S010 Light Curtain 1 & 2		1/17/2023	MKLEPADLO	
&EFS=V1FQ1+V1FQ1/6	S010 Light Curtain 3		1/17/2023	MKLEPADLO	
&EFS=V1FQ1+V1FQ1/7	S050-UR1 Light Curtain 1		1/17/2023	MKLEPADLO	
&EFS=V1FQ1+V1FQ1/8	S050-UR1 Light Curtain 2		1/17/2023	MKLEPADLO	
&EFS=V1FQ1+V1FQ1/9	S050-UR2 Light Curtain 1		1/17/2023	MKLEPADLO	
&EFS=V1FQ1+V1FQ1/10	S050-UR2 Light Curtain 2		1/17/2023	MKLEPADLO	
&EFS=V1FQ1+V1FQ1/11	S010 Safety Mats		1/17/2023	MKLEPADLO	
&EFS=V1FQ1+V1FQ1/12	S010 Safety Mats		1/17/2023	MKLEPADLO	
&EFS=V1FQ1+V1UC11/1	Safety power monitoring RQ - KF11.51		1/17/2023	MKLEPADLO	
&EFS=V1FQ1+V1UC11/2	Safety power monitoring RQ - KF11.52		1/17/2023	MKLEPADLO	
&EFS=V1FQ1+V1UC11/3	Safety power monitoring RQ - KF11.53		1/17/2023	MKLEPADLO	
&EFS=V1FQ1+V1UC11/4	Safety power monitoring RQ - KF11.54		1/17/2023	MKLEPADLO	
&EFS=V1FQ1+V1UC14/1	Safety power monitoring RQ - KF14.51		1/17/2023	MKLEPADLO	

Table of contents

Column X: An automatically generated page was edited

F06_001

Page	Page description	supplementary page field	Date	Edited by	X
&EFS=V1FQ1+V1UC14/2	Safety power monitoring RQ - KF14.52		1/17/2023	MKLEPADLO	
&EFS=V1FQ1+V1UC14/3	Safety power monitoring RQ - KF14.53		1/17/2023	MKLEPADLO	
&EFS=V1FQ1+V1UC14/4	Safety power monitoring RQ - KF14.54		1/17/2023	MKLEPADLO	
&EFS=V1FQ1+V1UC46/5	Safety power monitoring RQ - KF46.51		1/17/2023	MKLEPADLO	
&EFS=V1FQ1+V1UC46/6	Safety power monitoring RQ - KF46.52		1/17/2023	MKLEPADLO	
&EFS=V1FQ1+V1UC46/7	Safety power monitoring RQ - KF46.53		1/17/2023	MKLEPADLO	
&EFS=V1FQ1+V1UC46/8	Safety power monitoring RQ - KF46.54		1/17/2023	MKLEPADLO	
&EFS=V1GL15UQ51BG0+V1GL15UQ51/1	SENSORS		1/17/2023	MKLEPADLO	
&EFS=V1GL15UQ51KF1+V1GL15UQ51/1	CONNECTING MOD. FOR VTSA MANIFOLD		1/17/2023	MKLEPADLO	
&EFS=V1GL15UQ51KF1+V1GL15UQ51/2	I/O MOD. DI16 (8 x M12) FOR VTSA-F		1/17/2023	MKLEPADLO	
&EFS=V1GL15UQ51KF1+V1GL15UQ51/3	I/O MOD. DI16 (8 x M12) FOR VTSA-F		1/17/2023	MKLEPADLO	
&EFS=V1GL15UQ51KF1+V1GL15UQ51/4	CONNECTING MOD. FOR FESTO DQ		1/17/2023	MKLEPADLO	
&EFS=V1GL15UQ51UQ1+V1GL15UQ51UQ1/1	FESTO DQ CONNECTION QN1		1/17/2023	MKLEPADLO	
&EFS=V1GL15UQ51UQ2+V1GL15UQ51UQ2/1	FESTO DQ CONNECTION QN2		1/17/2023	MKLEPADLO	
&EFS=V1GL15UQ51UQ6+V1GL15UQ51UQ6/1	FESTO DQ CONNECTION QN3		1/17/2023	MKLEPADLO	
&EFS=V1GL15UQ51UQx+V1GL15UQ51UQx/1	FESTO DQ CONNECTION QN4		1/17/2023	MKLEPADLO	
&EFS=V1KF1+V1UC11/1	Switch, Scalance X216		1/17/2023	MKLEPADLO	
&EFS=V1KF1+V1UC11/2	Network Overview		1/17/2023	MKLEPADLO	
&EFS=V1KF1+V1UC11/3	IM 155 PN		1/17/2023	MKLEPADLO	
&EFS=V1KF1+V1UC11/4	ET200S Wiring DI		1/17/2023	MKLEPADLO	
&EFS=V1KF1+V1UC11/5	ET200S Wiring DI		1/17/2023	MKLEPADLO	
&EFS=V1KF1+V1UC11/6	ET200S Wiring F-DI		1/17/2023	MKLEPADLO	
&EFS=V1KF1+V1UC11/7	ET200S Wiring DQ		1/17/2023	MKLEPADLO	
&EFS=V1KF1+V1UC11/8	ET200S Wiring F-DQ		1/17/2023	MKLEPADLO	
&EFS=V1KF1+V1UC11/9	ET200S DI Overview KF11.11		1/17/2023	MKLEPADLO	
&EFS=V1KF1+V1UC11/10	ET200S DI Overview KF11.12		1/17/2023	MKLEPADLO	
&EFS=V1KF1+V1UC11/11	ET200S DI Overview KF11.13		1/17/2023	MKLEPADLO	
&EFS=V1KF1+V1UC11/12	ET200S DI Overview KF11.14		1/17/2023	MKLEPADLO	
&EFS=V1KF1+V1UC11/13	ET200S DQ Overview KF11.21		1/17/2023	MKLEPADLO	
&EFS=V1KF1+V1UC11/14	ET200S F-DI Overview KF11.31		1/17/2023	MKLEPADLO	
&EFS=V1KF1+V1UC11/15	ET200S F-DI Overview KF11.32		1/17/2023	MKLEPADLO	
&EFS=V1KF1+V1UC11/16	ET200S F-DQ Overview KF11.41		1/17/2023	MKLEPADLO	
&EFS=V1KF1+V1UC11/17	ET200S F-DQ Overview KF11.42		1/17/2023	MKLEPADLO	

3

5

Date	1/17/2023	Volvo Trucks North America	Valiant TMS	Table of contents : &EFS=V1FQ1+V1UC14/2 - &EFS=V1KF1+V1UC11/17	Drawing name: =2V07&EFS-EL	=
Ed.	MKLEPADLO	P6700 Roof Inr & Dr Ring LH - Cell 2V07	Scale 1:1		Document type:	+
Appr					EAB	Project nr: 22-16144
Modification	Date	Name	Original	Replacement of	Replaced by	
						509

Table of contents

Column X: An automatically generated page was edited

F06_001

Page	Page description	supplementary page field	Date	Edited by	X
&EFS=V1KF1+V1UC11/18	ET200S F-RQ Overview KF11.51		1/17/2023	MKLEPADLO	
&EFS=V1KF1+V1UC11/19	ET200S F-RQ Overview KF11.52		1/17/2023	MKLEPADLO	
&EFS=V1KF1+V1UC11/20	ET200S F-RQ Overview KF11.53		1/17/2023	MKLEPADLO	
&EFS=V1KF1+V1UC11/21	ET200S F-RQ Overview KF11.54		1/17/2023	MKLEPADLO	
&EFS=V1KF1+V1UC14/1	Switch, Scalance XC216		1/17/2023	MKLEPADLO	
&EFS=V1KF1+V1UC14/2	Network Overview		1/17/2023	MKLEPADLO	
&EFS=V1KF1+V1UC14/3	IM 155 PN		1/17/2023	MKLEPADLO	
&EFS=V1KF1+V1UC14/4	ET200S Wiring DI		1/17/2023	MKLEPADLO	
&EFS=V1KF1+V1UC14/5	ET200S Wiring F-DI		1/17/2023	MKLEPADLO	
&EFS=V1KF1+V1UC14/6	ET200S Wiring DQ		1/17/2023	MKLEPADLO	
&EFS=V1KF1+V1UC14/7	ET200S Wiring F-DQ		1/17/2023	MKLEPADLO	
&EFS=V1KF1+V1UC14/8	ET200S DI Overview KF14.11		1/17/2023	MKLEPADLO	
&EFS=V1KF1+V1UC14/9	ET200S DI Overview KF14.12		1/17/2023	MKLEPADLO	
&EFS=V1KF1+V1UC14/10	ET200S DQ Overview KF14.21		1/17/2023	MKLEPADLO	
&EFS=V1KF1+V1UC14/11	ET200S F-DI Overview KF14.31		1/17/2023	MKLEPADLO	
&EFS=V1KF1+V1UC14/12	ET200S F-DI Overview KF14.32		1/17/2023	MKLEPADLO	
&EFS=V1KF1+V1UC14/13	ET200S F-DQ Overview KF14.41		1/17/2023	MKLEPADLO	
&EFS=V1KF1+V1UC14/14	ET200S F-DQ Overview KF14.42		1/17/2023	MKLEPADLO	
&EFS=V1KF1+V1UC14/15	ET200S F-RQ Overview KF14.51		1/17/2023	MKLEPADLO	
&EFS=V1KF1+V1UC14/16	ET200S F-RQ Overview KF14.52		1/17/2023	MKLEPADLO	
&EFS=V1KF1+V1UC14/17	ET200S F-RQ Overview KF14.53		1/17/2023	MKLEPADLO	
&EFS=V1KF1+V1UC14/18	ET200S F-RQ Overview KF14.54		1/17/2023	MKLEPADLO	
&EFS=V1KF1+V1UC46/1	Switch, Scalance XC208		1/17/2023	MKLEPADLO	
&EFS=V1KF1+V1UC46/2	Network Overview		1/17/2023	MKLEPADLO	
&EFS=V1KF1+V1UC46/3	IM 155 PN		1/17/2023	MKLEPADLO	
&EFS=V1KF1+V1UC46/4	ET200S Wiring DI		1/17/2023	MKLEPADLO	
&EFS=V1KF1+V1UC46/5	ET200S Wiring F-DQ		1/17/2023	MKLEPADLO	
&EFS=V1KF1+V1UC46/6	ET200S DI Overview KF46.11		1/17/2023	MKLEPADLO	
&EFS=V1KF1+V1UC46/7	ET200S F-DQ Overview KF46.41		1/17/2023	MKLEPADLO	
&EFS=V1KF1+V1UC46/8	ET200S F-RQ Overview KF46.51		1/17/2023	MKLEPADLO	
&EFS=V1KF1+V1UC46/9	ET200S F-RQ Overview KF46.52		1/17/2023	MKLEPADLO	
&EFS=V1KF1+V1UC46/10	ET200S F-RQ Overview KF46.53		1/17/2023	MKLEPADLO	
&EFS=V1KF1+V1UC46/11	ET200S F-RQ Overview KF46.54		1/17/2023	MKLEPADLO	

Table of contents

Column X: An automatically generated page was edited

F06_001

Page	Page description	supplementary page field	Date	Edited by	X
&EFS=V1PZ1PF1+V1UC61/1	S010 Indication column		1/17/2023	MKLEPADLO	
&EFS=V1SF0PG1+V1UC51/1	TP700: S010 Display		1/17/2023	MKLEPADLO	
&EFS=V1SF0SF1+V1UC71/1	S010 Operating box RB		1/17/2023	MKLEPADLO	
&EFS=V1SF0SF2+V1UC72/1	S050-UR1 Operating box RB		1/17/2023	MKLEPADLO	
&EFS=V1SF0SF3+V1UC73/1	S050-UR2 Operating box RB		1/17/2023	MKLEPADLO	
&EFS=V1U10FQ1+V1U10/1	S010 Lift Assist Safety Switch		1/17/2023	MKLEPADLO	
&EFS=V1U10U01KF1+V1U10U01/10	MURR MODULE 8 IN/ 8 OUT		1/17/2023	MKLEPADLO	
&EFS=V1U10U01PF1+V1U10U01/2	Station Dome Light		1/17/2023	MKLEPADLO	
&EFS=V1U50FQ1+V1U50/1	S050 Lift Assist Safety Switch		1/17/2023	MKLEPADLO	
&EFS=V1U50U01KF1+V1U50U01/10	MURR MODULE 8 IN/ 8 OUT		1/17/2023	MKLEPADLO	
&EFS=V1U50U01PF1+V1U50U01/2	Station Dome Light		1/17/2023	MKLEPADLO	
&EFS=V1U50U01PF2+V1U50U01/2	Station Dome Light		1/17/2023	MKLEPADLO	
&EFS=V1UN1BG0+V1UN1/1	SENSORS		1/17/2023	MKLEPADLO	
&EFS=V1UN1KF1+V1UN1/10	MURR MODULE 8 IN/ 8 OUT		1/17/2023	MKLEPADLO	
&EFS=V1UN1PF1+V1UN1/2	Station Dome Light		1/17/2023	MKLEPADLO	
&EFS=V1UQ51BG0+V1UQ51/1	SENSORS		1/17/2023	MKLEPADLO	
&EFS=V1UQ51KF1+V1UQ51/1	CONNECTING MOD. FOR VTSA MANIFOLD		1/17/2023	MKLEPADLO	
&EFS=V1UQ51KF1+V1UQ51/2	CONNECTING MOD. FOR FESTO DQ		1/17/2023	MKLEPADLO	
&EFS=V1UQ51UQ1+V1UQ51UQ1/1	FESTO DQ CONNECTION QN1		1/17/2023	MKLEPADLO	
&EFS=V1WC1+V1UC11/1	Incoming power supply 480 VAC		1/17/2023	MKLEPADLO	
&EFS=V1WC1+V1UC161/1	Incoming weld power supply 480 VAC		1/17/2023	MKLEPADLO	
&EFS=V1WC2+V1UC11/10	Power distribution 480 VAC		1/17/2023	MKLEPADLO	
&EFS=V1WC2+V1UC11/11	Power distribution 480 VAC		1/17/2023	MKLEPADLO	
&EFS=V1WC2+V1UC11/12	Power distribution 480 VAC		1/17/2023	MKLEPADLO	
&EFS=V1WC2+V1UC11/13	Power distribution 480 VAC		1/17/2023	MKLEPADLO	
&EFS=V1WC2+V1UC11/14	Power distribution 480 VAC		1/17/2023	MKLEPADLO	
&EFS=V1WC2+V1UC11/15	Power distribution 480 VAC		1/17/2023	MKLEPADLO	
&EFS=V1WC2+V1UC11/16	Power distribution 480 VAC		1/17/2023	MKLEPADLO	
&EFS=V1WC2+V1UC11/41	Power distribution 480 VAC monitoring		1/17/2023	MKLEPADLO	
&EFS=V1WC2+V1UC11/42	Power distribution 480 VAC monitoring		1/17/2023	MKLEPADLO	
&EFS=V1WC2+V1UC11/43	Power distribution 480 VAC monitoring		1/17/2023	MKLEPADLO	
&EFS=V1WC2+V1UC161/10	Weld power distribution 480 VAC		1/17/2023	MKLEPADLO	
&EFS=V1WC3+V1UC11/1	Power Distribution 120 VAC (Above Disconnect)		1/17/2023	MKLEPADLO	


Date	1/17/2023	Volvo Trucks North America	Valiant TMS	Table of contents : &EFS=V1PZ1PF1+V1UC61/1 -	Drawing name:	=		
Ed.	MKLEPADLO		Scale 1:1	&EFS=V1WC3+V1UC11/1	=2V07&EFS-EL	+		
Appr				P6700 Roof Inr & Dr Ring LH - Cell 2V07	Document type:	Project nr:	Page	
Modification	Date	Name	Original	Replacement of	Replaced by	EAB	22-16144	6
							509	

Table of contents

Column X: An automatically generated page was edited

F06_001

Page	Page description	supplementary page field	Date	Edited by	X
&EFS=V1WC4+V1UC11/27	24VDC Switched Power 4		1/17/2023	MKLEPADLO	
&EFS=V1WC4+V1UC14/1	Power distribution 24VDC for Inputs		1/17/2023	MKLEPADLO	
&EFS=V1WC4+V1UC14/2	Power distribution 24VDC 1L+		1/17/2023	MKLEPADLO	
&EFS=V1WC4+V1UC14/3	Power distribution 24VDC 2L+		1/17/2023	MKLEPADLO	
&EFS=V1WC4+V1UC14/4	Power distribution 24VDC 3L+		1/17/2023	MKLEPADLO	
&EFS=V1WC4+V1UC14/5	Power distribution 24VDC 4L+		1/17/2023	MKLEPADLO	
&EFS=V1WC4+V1UC14/6	Power distribution 24VDC 5L+		1/17/2023	MKLEPADLO	
&EFS=V1WC4+V1UC14/7	Power distribution 24VDC 6L+		1/17/2023	MKLEPADLO	
&EFS=V1WC4+V1UC14/8	Power distribution 24VDC 7L+		1/17/2023	MKLEPADLO	
&EFS=V1WC4+V1UC14/9	Power distribution 24VDC 8L+		1/17/2023	MKLEPADLO	
&EFS=V1WC4+V1UC14/10	Power distribution 24VDC for I/O		1/17/2023	MKLEPADLO	
&EFS=V1WC4+V1UC14/11	Power distribution 24VDC 11L+		1/17/2023	MKLEPADLO	
&EFS=V1WC4+V1UC14/12	Power distribution 24VDC 12L+		1/17/2023	MKLEPADLO	
&EFS=V1WC4+V1UC14/13	Power distribution 24VDC 13L+		1/17/2023	MKLEPADLO	
&EFS=V1WC4+V1UC14/14	Power distribution 24VDC 14L+		1/17/2023	MKLEPADLO	
&EFS=V1WC4+V1UC14/15	Power distribution 24VDC 15L+		1/17/2023	MKLEPADLO	
&EFS=V1WC4+V1UC14/16	Power distribution 24VDC 16L+		1/17/2023	MKLEPADLO	
&EFS=V1WC4+V1UC14/17	Power distribution 24VDC 17L+		1/17/2023	MKLEPADLO	
&EFS=V1WC4+V1UC14/18	Power distribution 24VDC 18L+		1/17/2023	MKLEPADLO	
&EFS=V1WC4+V1UC14/19	24VDC Switched Power 1		1/17/2023	MKLEPADLO	
&EFS=V1WC4+V1UC14/20	24VDC Switched Power 2		1/17/2023	MKLEPADLO	
&EFS=V1WC4+V1UC14/21	24VDC Switched Power 3		1/17/2023	MKLEPADLO	
&EFS=V1WC4+V1UC14/22	24VDC Switched Power 4		1/17/2023	MKLEPADLO	
&EFS=V1WC4+V1UC46/1	Power distribution 24VDC for Inputs		1/17/2023	MKLEPADLO	
&EFS=V1WC4+V1UC46/2	Power distribution 24VDC 1L+		1/17/2023	MKLEPADLO	
&EFS=V1WC4+V1UC46/3	Power distribution 24VDC 2L+		1/17/2023	MKLEPADLO	
&EFS=V1WC4+V1UC46/4	Power distribution 24VDC 2L+		1/17/2023	MKLEPADLO	
&EFS=V1WC4+V1UC46/5	Power distribution 24VDC 3L+		1/17/2023	MKLEPADLO	
&EFS=V1WC4+V1UC46/6	Power distribution 24VDC 3L+		1/17/2023	MKLEPADLO	
&EFS=V1WC4+V1UC46/7	Power distribution 24VDC 4L+		1/17/2023	MKLEPADLO	
&EFS=V1WR1BG0+V1WR1/1	TURNTABLE POSITION SENSORS		1/17/2023	MKLEPADLO	
&EFS=V1WR1KF1+V1WR1/1	MURR MODULE SAFE 16 IN		1/17/2023	MKLEPADLO	
&EFS=V1WR1KF2+V1WR1/1	MURR MODULE SAFE 16 IN		1/17/2023	MKLEPADLO	

Table of contents

Column X: An automatically generated page was edited

F06_001

Page	Page description	supplementary page field	Date	Edited by	X
&EFS=V1WR1UQ51BG0+V1WR1UQ51/1	SENSORS		1/17/2023	MKLEPADLO	
&EFS=V1WR1UQ51BG0+V1WR1UQ51/2	SENSORS		1/17/2023	MKLEPADLO	
&EFS=V1WR1UQ51KF1+V1WR1UQ51/1	CONNECTING MOD. FOR VTSA MANIFOLD		1/17/2023	MKLEPADLO	
&EFS=V1WR1UQ51KF1+V1WR1UQ51/2	I/O MOD. DI16 (8 x M12) FOR VTSA-F		1/17/2023	MKLEPADLO	
&EFS=V1WR1UQ51KF1+V1WR1UQ51/3	I/O MOD. DI16 (8 x M12) FOR VTSA-F		1/17/2023	MKLEPADLO	
&EFS=V1WR1UQ51KF1+V1WR1UQ51/4	CONNECTING MOD. FOR FESTO DQ		1/17/2023	MKLEPADLO	
&EFS=V1WR1UQ51UQ1+V1WR1UQ51UQ1/1	FESTO DQ CONNECTION QN1		1/17/2023	MKLEPADLO	
&EFS=V1WR1UQ51UQ2+V1WR1UQ51UQ2/1	FESTO DQ CONNECTION QN2		1/17/2023	MKLEPADLO	
&EFS=V1WR1UQ51UQ3+V1WR1UQ51UQ3/1	FESTO DQ CONNECTION QN3		1/17/2023	MKLEPADLO	
&EFS=V1WR1UQ51UQ4+V1WR1UQ51UQ4/1	FESTO DQ CONNECTION QN4		1/17/2023	MKLEPADLO	
&EFS=V1WR1UQ51UQ5+V1WR1UQ51UQ5/1	FESTO DQ CONNECTION QN5		1/17/2023	MKLEPADLO	
&EFS=V1WR1UQ51UQ6+V1WR1UQ51UQ6/1	FESTO DQ CONNECTION QN6		1/17/2023	MKLEPADLO	
&EFS=V1WR1UQ51WC4+V1WR1UQ51/1	24VDC		1/17/2023	MKLEPADLO	
&EFS=V1WR1UQ52BG0+V1WR1UQ52/1	SENSORS		1/17/2023	MKLEPADLO	
&EFS=V1WR1UQ52BG0+V1WR1UQ52/2	SENSORS		1/17/2023	MKLEPADLO	
&EFS=V1WR1UQ52BG0+V1WR1UQ52/3	SENSORS		1/17/2023	MKLEPADLO	
&EFS=V1WR1UQ52BG0+V1WR1UQ52/4	SENSORS		1/17/2023	MKLEPADLO	
&EFS=V1WR1UQ52KF1+V1WR1UQ52/1	CONNECTING MOD. FOR VTSA MANIFOLD		1/17/2023	MKLEPADLO	
&EFS=V1WR1UQ52KF1+V1WR1UQ52/2	I/O MOD. DI16 (8 x M12) FOR VTSA-F		1/17/2023	MKLEPADLO	
&EFS=V1WR1UQ52KF1+V1WR1UQ52/3	I/O MOD. DI16 (8 x M12) FOR VTSA-F		1/17/2023	MKLEPADLO	
&EFS=V1WR1UQ52KF1+V1WR1UQ52/4	I/O MOD. DI16 (8 x M12) FOR VTSA-F		1/17/2023	MKLEPADLO	
&EFS=V1WR1UQ52KF1+V1WR1UQ52/5	I/O MOD. DI16 (8 x M12) FOR VTSA-F		1/17/2023	MKLEPADLO	
&EFS=V1WR1UQ52KF1+V1WR1UQ52/6	CONNECTING MOD. FOR FESTO DQ		1/17/2023	MKLEPADLO	
&EFS=V1WR1UQ52KF2+V1WR1UQ52/1	CONNECTING MOD. FOR VTSA MANIFOLD		1/17/2023	MKLEPADLO	
&EFS=V1WR1UQ52KF2+V1WR1UQ52/2	I/O MOD. DI16 (8 x M12) FOR VTSA-F		1/17/2023	MKLEPADLO	
&EFS=V1WR1UQ52KF2+V1WR1UQ52/3	I/O MOD. DI16 (8 x M12) FOR VTSA-F		1/17/2023	MKLEPADLO	
&EFS=V1WR1UQ52KF2+V1WR1UQ52/4	CONNECTING MOD. FOR FESTO DQ		1/17/2023	MKLEPADLO	
&EFS=V1WR1UQ52UQ1+V1WR1UQ52UQ01/1	FESTO DQ CONNECTION QN1		1/17/2023	MKLEPADLO	
&EFS=V1WR1UQ52UQ1+V1WR1UQ52UQ01/2	FESTO DQ CONNECTION QN1		1/17/2023	MKLEPADLO	
&EFS=V1WR1UQ52UQ2+V1WR1UQ52UQ02/1	FESTO DQ CONNECTION QN2		1/17/2023	MKLEPADLO	
&EFS=V1WR1UQ52UQ3+V1WR1UQ52UQ03/1	FESTO DQ CONNECTION QN3		1/17/2023	MKLEPADLO	
&EFS=V1WR1UQ52UQ4+V1WR1UQ52UQ04/1	FESTO DQ CONNECTION QN4		1/17/2023	MKLEPADLO	
&EFS=V1WR1UQ52UQ5+V1WR1UQ52UQ05/1	FESTO DQ CONNECTION QN5		1/17/2023	MKLEPADLO	

Table of contents

Column X: An automatically generated page was edited

F06_001

Page	Page description	supplementary page field	Date	Edited by	X
&EFS=V1WR1UQ52UQ6+V1WR1UQ52UQ06/1	FESTO DQ CONNECTION QN6		1/17/2023	MKLEPADLO	
&EFS=V1WR1UQ52UQ7+V1WR1UQ52UQ07/1	FESTO DQ CONNECTION QN7		1/17/2023	MKLEPADLO	
&EFS=V1WR1UQ52UQ8+V1WR1UQ52UQ8/1	FESTO DQ CONNECTION QN9		1/17/2023	MKLEPADLO	
&EFS=V1WR1UQ52UQ9+V1WR1UQ52UQ9/1	FESTO DQ CONNECTION QN10		1/17/2023	MKLEPADLO	
&EFS=V1WR1UQ52UQ10+V1WR1UQ52UQ10/1	FESTO DQ CONNECTION QN11		1/17/2023	MKLEPADLO	
&EFS=V1WR1UQ52UQ11+V1WR1UQ52UQ11/1	FESTO DQ CONNECTION QN8		1/17/2023	MKLEPADLO	
&EFS=V1WR1UQ52WC4+V1WR1UQ52/1	24VDC		1/17/2023	MKLEPADLO	
&EFS=V1WR1WC1+V1WR1UC01/1	Incoming power & profinet		1/17/2023	MKLEPADLO	
&ELU=KF0+UC31/1	Layout UC31 MOP		1/17/2023	MKLEPADLO	
&ELU=KF0+UC31/2	Layout UC31 MOP External View		1/17/2023	MKLEPADLO	
&ELU=KF0+UC31/3	Layout UC31 MOP Internal View		1/17/2023	MKLEPADLO	
&ELU=V1PZ1PF1+V1UC61/1	Layout UC61 SL External View		1/17/2023	MKLEPADLO	
&ELU=V1PZ1PF1+V1UC61/2	Layout UC61 SL Internal View		1/17/2023	MKLEPADLO	
&ELU=V1SF0PG1+V1UC51/1	Layout UC51 OD External View		1/17/2023	MKLEPADLO	
&ELU=V1SF0SF1+V1UC71/1	Layout UC71 RB External View		1/17/2023	MKLEPADLO	
&ELU=V1SF0SF2+V1UC72/1	Layout UC72 RB External View		1/17/2023	MKLEPADLO	
&ELU=V1SF0SF3+V1UC73/1	Layout UC73 RB External View		1/17/2023	MKLEPADLO	
&ELU=V1UC11+V1UC11/1	Layout UC11 PDP External View		1/17/2023	MKLEPADLO	
&ELU=V1UC11+V1UC11/2	Layout UC11 PDP Internal View		1/17/2023	MKLEPADLO	
&ELU=V1UC14+V1UC14/1	Layout UC14 RIO External View		1/17/2023	MKLEPADLO	
&ELU=V1UC14+V1UC14/2	Layout UC14 RIO Internal Controls View		1/17/2023	MKLEPADLO	
&ELU=V1UC46+V1UC46/1	Layout UC46 TT RIO External View		1/17/2023	MKLEPADLO	
&ELU=V1UC46+V1UC46/2	Layout UC46 TT RIO Internal View		1/17/2023	MKLEPADLO	
&EMC/1	Cable overview		1/17/2023	MKLEPADLO	
&EMC/2	Cable overview		1/17/2023	MKLEPADLO	
&EMC/3	Cable overview		1/17/2023	MKLEPADLO	
&EMC/4	Cable overview		1/17/2023	MKLEPADLO	
&EMC/5	Cable overview		1/17/2023	MKLEPADLO	
&EMC/6	Cable overview		1/17/2023	MKLEPADLO	
&EMC/7	Cable overview		1/17/2023	MKLEPADLO	
&EMC/8	Cable overview		1/17/2023	MKLEPADLO	
&EMC/9	Cable overview		1/17/2023	MKLEPADLO	
&EPB/1	Parts list : TS 35_7,5 - TS 35_7,5		1/17/2023	MKLEPADLO	

Table of contents

Column X: An automatically generated page was edited

F06_001

Page	Page description	supplementary page field	Date	Edited by	X
&EPB+UC31/1	Parts list : US2.ECGB5 - SIE.6EP3336-7SB00-3AX0		1/17/2023	MKLEPADLO	
&EPB+UC31UC91/1	Parts list : ABB.1SFA619550R1051 - ABB.1SFA619100R1023		1/17/2023	MKLEPADLO	
&EPB+UC31UC92/1	Parts list : ABB.1SFA619100R1111 - ABB.1SFA619200R1016		1/17/2023	MKLEPADLO	
&EPB+V1AR21XQ11UC01/1	Parts list : ABB.2CMA193115R1000 - ABB.2CMA193115R1000		1/17/2023	MKLEPADLO	
&EPB+V1AR22XQ11UC01/1	Parts list : ABB.2CMA193115R1000 - ABB.2CMA193115R1000		1/17/2023	MKLEPADLO	
&EPB+V1AR41UQ41/1	Parts list : TUR.1625891 - FES.549335		1/17/2023	MKLEPADLO	
&EPB+V1AR41UQ41UQ1.1/1	Parts list : TUN.1324638 - TUN.1324638		1/17/2023	MKLEPADLO	
&EPB+V1AR41UQ41UQ1.2/1	Parts list : TUN.1324638 - TUN.1324638		1/17/2023	MKLEPADLO	
&EPB+V1AR41UQ41UQ1.3/1	Parts list : TUN.1324638 - TUN.1324638		1/17/2023	MKLEPADLO	
&EPB+V1AR41UQ41UQ1.4/1	Parts list : TUN.1324638 - TUN.1324638		1/17/2023	MKLEPADLO	
&EPB+V1AR41UQ41UQ2.1/1	Parts list : TUN.1324644 - TUN.1324644		1/17/2023	MKLEPADLO	
&EPB+V1AR41UQ41UQ2.2/1	Parts list : TUN.1324644 - TUN.1324644		1/17/2023	MKLEPADLO	
&EPB+V1AR41UQ41UQ2.3/1	Parts list : TUN.1324638 - TUN.1324638		1/17/2023	MKLEPADLO	
&EPB+V1AR41UQ41UQ2.4/1	Parts list : TUN.1324638 - TUN.1324638		1/17/2023	MKLEPADLO	
&EPB+V1AR41XQ11UC01/1	Parts list : ABB.2CMA193115R1000 - RIT.4115000		1/17/2023	MKLEPADLO	
&EPB+V1FG1/1	Parts list : TUR.1627297 - FES.549335		1/17/2023	MKLEPADLO	
&EPB+V1FG1UQ1.1/1	Parts list : TUR.1644831 - TUR.VB2-FSM 4.4/2FKM 4/S3450		1/17/2023	MKLEPADLO	
&EPB+V1FG2/1	Parts list : TUR.1627297 - FES.549335		1/17/2023	MKLEPADLO	
&EPB+V1FG2UQ1.1/1	Parts list : TUR.1644831 - TUR.VB2-FSM 4.4/2FKM 4/S3450		1/17/2023	MKLEPADLO	
&EPB+V1FQ1/1	Parts list : BAN.SLSCP30-1200P44NT - BAN.SLSCP30-1200P44NT		1/17/2023	MKLEPADLO	
&EPB+V1FQ1BG1/1	Parts list : EUC.MGB-L2B-PNA-R-121859 - EUC.MGB-E-A2-106051		1/17/2023	MKLEPADLO	
&EPB+V1FQ1BG2/1	Parts list : EUC.MGB-L2B-PNA-R-121859 - EUC.MGB-E-A2-106051		1/17/2023	MKLEPADLO	
&EPB+V1FQ1BG3/1	Parts list : EUC.MGB-L2B-PNA-R-121859 - EUC.MGB-E-A2-106051		1/17/2023	MKLEPADLO	
&EPB+V1GL15UQ51/1	Parts list : TUR.16447411 - FES.549335		1/17/2023	MKLEPADLO	
&EPB+V1GL15UQ51UQ1.1/1	Parts list : TUR.16447411 - TUR.VB2-FSM 4.4/2FKM 4/S3450		1/17/2023	MKLEPADLO	
&EPB+V1GL15UQ51UQ2.1/1	Parts list : TUR.16447411 - TUR.VB2-FSM 4.4/2FKM 4/S3450		1/17/2023	MKLEPADLO	
&EPB+V1GL15UQ51UQ6.1/1	Parts list : TUR.16447411 - TUR.VB2-FSM 4.4/2FKM 4/S3450		1/17/2023	MKLEPADLO	
&EPB+V1U10/1	Parts list : A-B.802T-AMP - A-B.802T-AMP		1/17/2023	MKLEPADLO	
&EPB+V1U10U01/1	Parts list : MURR.55339 - BAN.32723		1/17/2023	MKLEPADLO	
&EPB+V1U50/1	Parts list : A-B.802T-AMP - A-B.802T-AMP		1/17/2023	MKLEPADLO	
&EPB+V1U50U01/1	Parts list : MURR.55339 - BAN.32723		1/17/2023	MKLEPADLO	
&EPB+V1UC11/1	Parts list : EMPD3FBCB-025A-M - SIE.5ST3010-0HG		1/17/2023	MKLEPADLO	
&EPB+V1UC11/2	Parts list : SIE.5SJ4106-7HG41 - RIT.4115000		1/17/2023	MKLEPADLO	


Date	1/17/2023	Volvo Trucks North America	Valiant TMS	Table of contents : &EPB+UC31/1 - &EPB+V1UC11/2	Drawing name: =2V07&EFS-EL	=	
Ed.	MKLEPADLO	 P6700 Roof Inr & Dr Ring LH - Cell 2V07	Scale 1:1		Document type: EAB	Project nr: 22-16144	
Appr					Page	11	
Modification	Date	Name	Original	Replacement of	Replaced by	Page	509

Table of contents

Column X: An automatically generated page was edited

F06_001

Page	Page description	supplementary page field	Date	Edited by	X
&EPB+V1UC14/1	Parts list : SIE.6ES7155-6AA01-0BN0_subassembly - TUR.RSM-2RKM 50		1/17/2023	MKLEPADLO	
&EPB+V1UC46/1	Parts list : SIE.6ES7155-6AA01-0BN0_subassembly - TUR.RKF 50-1M/NPT		1/17/2023	MKLEPADLO	
&EPB+V1UC51/1	Parts list : SIE.6AV2124-0GC01-0AX0 - TUR.RSF 50-1M/NPT		1/17/2023	MKLEPADLO	
&EPB+V1UC61/1	Parts list : SIE.8WD4408-0AA - TUR.RSF 106-2M/14.5/NPT/CS16486		1/17/2023	MKLEPADLO	
&EPB+V1UC71/1	Parts list : BAN.SSA-EBM-12EB1Q8OTBB - BAN.SSA-EBM-12EB1Q8OTBB		1/17/2023	MKLEPADLO	
&EPB+V1UC72/1	Parts list : BAN.SSA-EBM-12EB1Q8OTBB - BAN.SSA-EBM-12EB1Q8OTBB		1/17/2023	MKLEPADLO	
&EPB+V1UC73/1	Parts list : BAN.SSA-EBM-12EB1Q8OTBB - BAN.SSA-EBM-12EB1Q8OTBB		1/17/2023	MKLEPADLO	
&EPB+V1UC161/1	Parts list : CPB-E2G06-03 - RIT.4115000		1/17/2023	MKLEPADLO	
&EPB+V1UN1/1	Parts list : BAN.73093 - BAN.32723		1/17/2023	MKLEPADLO	
&EPB+V1UQ51/1	Parts list : TUR.1627297 - FES.549335		1/17/2023	MKLEPADLO	
&EPB+V1UQ51UQ1.1/1	Parts list : TUN.1324644 - TUN.1324644		1/17/2023	MKLEPADLO	
&EPB+V1UQ51UQ1.2/1	Parts list : TUN.1324644 - TUN.1324644		1/17/2023	MKLEPADLO	
&EPB+V1UQ51UQ1.3/1	Parts list : TUN.1324644 - TUN.1324644		1/17/2023	MKLEPADLO	
&EPB+V1UQ51UQ1.4/1	Parts list : TUN.1324644 - TUN.1324644		1/17/2023	MKLEPADLO	
&EPB+V1WR1/1	Parts list : A-B.440F-M2036HYNN - TUR.BS 8251-0/PG9		1/17/2023	MKLEPADLO	
&EPB+V1WR1UQ51/1	Parts list : TUR.1627297 - FES.549335		1/17/2023	MKLEPADLO	
&EPB+V1WR1UQ51UQ1.1/1	Parts list : WEL.WWS001A - WEL.WWS001A		1/17/2023	MKLEPADLO	
&EPB+V1WR1UQ51UQ1.2/1	Parts list : WEL.WWS001A - WEL.WWS001A		1/17/2023	MKLEPADLO	
&EPB+V1WR1UQ51UQ1.3/1	Parts list : WEL.WWS001A - WEL.WWS001A		1/17/2023	MKLEPADLO	
&EPB+V1WR1UQ51UQ1.4/1	Parts list : WEL.WWS001A - WEL.WWS001A		1/17/2023	MKLEPADLO	
&EPB+V1WR1UQ51UQ1.5/1	Parts list : WEL.WWS001A - WEL.WWS001A		1/17/2023	MKLEPADLO	
&EPB+V1WR1UQ51UQ2.1/1	Parts list : WEL.WWS001A - WEL.WWS001A		1/17/2023	MKLEPADLO	
&EPB+V1WR1UQ51UQ3.1/1	Parts list : WEL.WWS001A - WEL.WWS001A		1/17/2023	MKLEPADLO	
&EPB+V1WR1UQ51UQ4.1/1	Parts list : TUN.1324638 - TUN.1324638		1/17/2023	MKLEPADLO	
&EPB+V1WR1UQ51UQ4.2/1	Parts list : TUN.1324638 - TUN.1324638		1/17/2023	MKLEPADLO	
&EPB+V1WR1UQ51UQ4.3/1	Parts list : TUN.1324638 - TUN.1324638		1/17/2023	MKLEPADLO	
&EPB+V1WR1UQ51UQ4.4/1	Parts list : TUN.1324638 - TUN.1324638		1/17/2023	MKLEPADLO	
&EPB+V1WR1UQ51UQ4.5/1	Parts list : TUN.1324638 - TUN.1324638		1/17/2023	MKLEPADLO	
&EPB+V1WR1UQ51UQ4.6/1	Parts list : TUN.1324638 - TUN.1324638		1/17/2023	MKLEPADLO	
&EPB+V1WR1UQ51UQ5.1/1	Parts list : TUN.1324638 - TUN.1324638		1/17/2023	MKLEPADLO	
&EPB+V1WR1UQ51UQ5.2/1	Parts list : TUN.1324638 - TUN.1324638		1/17/2023	MKLEPADLO	
&EPB+V1WR1UQ51UQ5.3/1	Parts list : TUN.1324638 - TUN.1324638		1/17/2023	MKLEPADLO	
&EPB+V1WR1UQ52/1	Parts list : TUR.1627297 - TUR.RSM-2RKM 50		1/17/2023	MKLEPADLO	


Date	1/17/2023	Volvo Trucks North America	Valiant TMS	Table of contents : &EPB+V1UC14/1 - &EPB+V1WR1UQ52/1	Drawing name: =2V07&EFS-EL	=	
Ed.	MKLEPADLO	 P6700 Roof Inr & Dr Ring LH - Cell 2V07	Scale 1:1		Document type: EAB	Project nr: 22-16144	
Appr					Page	12	
Modification	Date	Name	Original	Replacement of	Replaced by	Page	509

Table of contents

Column X: An automatically generated page was edited

F06_001

Page	Page description	supplementary page field	Date	Edited by	X
&EPB+V1WR1UQ52UQ1.1/1	Parts list : TUR.4570890 - TUR.VB2-FSM 4.4/2FKM 4/S3450		1/17/2023	MKLEPADLO	
&EPB+V1WR1UQ52UQ1.2/1	Parts list : TUR.4570890 - TUR.VB2-FSM 4.4/2FKM 4/S3450		1/17/2023	MKLEPADLO	
&EPB+V1WR1UQ52UQ1.3/1	Parts list : WEL.WWS001A - WEL.WWS001A		1/17/2023	MKLEPADLO	
&EPB+V1WR1UQ52UQ1.4/1	Parts list : WEL.WWS001A - WEL.WWS001A		1/17/2023	MKLEPADLO	
&EPB+V1WR1UQ52UQ1.5/1	Parts list : WEL.WWS001A - WEL.WWS001A		1/17/2023	MKLEPADLO	
&EPB+V1WR1UQ52UQ1.6/1	Parts list : WEL.WWS001A - WEL.WWS001A		1/17/2023	MKLEPADLO	
&EPB+V1WR1UQ52UQ2.1/1	Parts list : WEL.WWS001A - WEL.WWS001A		1/17/2023	MKLEPADLO	
&EPB+V1WR1UQ52UQ2.2/1	Parts list : WEL.WWS001A - WEL.WWS001A		1/17/2023	MKLEPADLO	
&EPB+V1WR1UQ52UQ2.3/1	Parts list : WEL.WWS001A - WEL.WWS001A		1/17/2023	MKLEPADLO	
&EPB+V1WR1UQ52UQ2.4/1	Parts list : WEL.WWS001A - WEL.WWS001A		1/17/2023	MKLEPADLO	
&EPB+V1WR1UQ52UQ2.5/1	Parts list : WEL.WWS001A - WEL.WWS001A		1/17/2023	MKLEPADLO	
&EPB+V1WR1UQ52UQ2.6/1	Parts list : WEL.WWS001A - WEL.WWS001A		1/17/2023	MKLEPADLO	
&EPB+V1WR1UQ52UQ3.1/1	Parts list : WEL.WWS001A - WEL.WWS001A		1/17/2023	MKLEPADLO	
&EPB+V1WR1UQ52UQ4.1/1	Parts list : WEL.WWS001A - WEL.WWS001A		1/17/2023	MKLEPADLO	
&EPB+V1WR1UQ52UQ4.2/1	Parts list : WEL.WWS001A - WEL.WWS001A		1/17/2023	MKLEPADLO	
&EPB+V1WR1UQ52UQ4.3/1	Parts list : WEL.WWS001A - WEL.WWS001A		1/17/2023	MKLEPADLO	
&EPB+V1WR1UQ52UQ4.4/1	Parts list : WEL.WWS001A - WEL.WWS001A		1/17/2023	MKLEPADLO	
&EPB+V1WR1UQ52UQ4.5/1	Parts list : WEL.WWS001A - WEL.WWS001A		1/17/2023	MKLEPADLO	
&EPB+V1WR1UQ52UQ5.1/1	Parts list : TUN.1324638 - TUN.1324638		1/17/2023	MKLEPADLO	
&EPB+V1WR1UQ52UQ5.2/1	Parts list : TUN.1324644 - TUN.1324644		1/17/2023	MKLEPADLO	
&EPB+V1WR1UQ52UQ5.3/1	Parts list : TUN.1324644 - TUN.1324644		1/17/2023	MKLEPADLO	
&EPB+V1WR1UQ52UQ5.4/1	Parts list : TUN.1324644 - TUN.1324644		1/17/2023	MKLEPADLO	
&EPB+V1WR1UQ52UQ5.5/1	Parts list : TUN.1324644 - TUN.1324644		1/17/2023	MKLEPADLO	
&EPB+V1WR1UQ52UQ5.6/1	Parts list : TUN.1324644 - TUN.1324644		1/17/2023	MKLEPADLO	
&EPB+V1WR1UQ52UQ6.1/1	Parts list : TUN.1324644 - TUN.1324644		1/17/2023	MKLEPADLO	
&EPB+V1WR1UQ52UQ6.2/1	Parts list : TUN.1324638 - TUN.1324638		1/17/2023	MKLEPADLO	
&EPB+V1WR1UQ52UQ6.3/1	Parts list : TUN.1324638 - TUN.1324638		1/17/2023	MKLEPADLO	
&EPB+V1WR1UQ52UQ6.4/1	Parts list : TUN.1324644 - TUN.1324644		1/17/2023	MKLEPADLO	
&EPB+V1WR1UQ52UQ6.5/1	Parts list : TUN.1324644 - TUN.1324644		1/17/2023	MKLEPADLO	
&EPB+V1WR1UQ52UQ6.6/1	Parts list : TUN.1324644 - TUN.1324644		1/17/2023	MKLEPADLO	
&EPB+V1WR1UQ52UQ7.1/1	Parts list : TUN.1324644 - TUN.1324644		1/17/2023	MKLEPADLO	
&EPB+V1WR1UQ52UQ7.2/1	Parts list : TUN.1324638 - TUN.1324638		1/17/2023	MKLEPADLO	
&EPB+V1WR1UQ52UQ7.3/1	Parts list : TUN.1324644 - TUN.1324644		1/17/2023	MKLEPADLO	


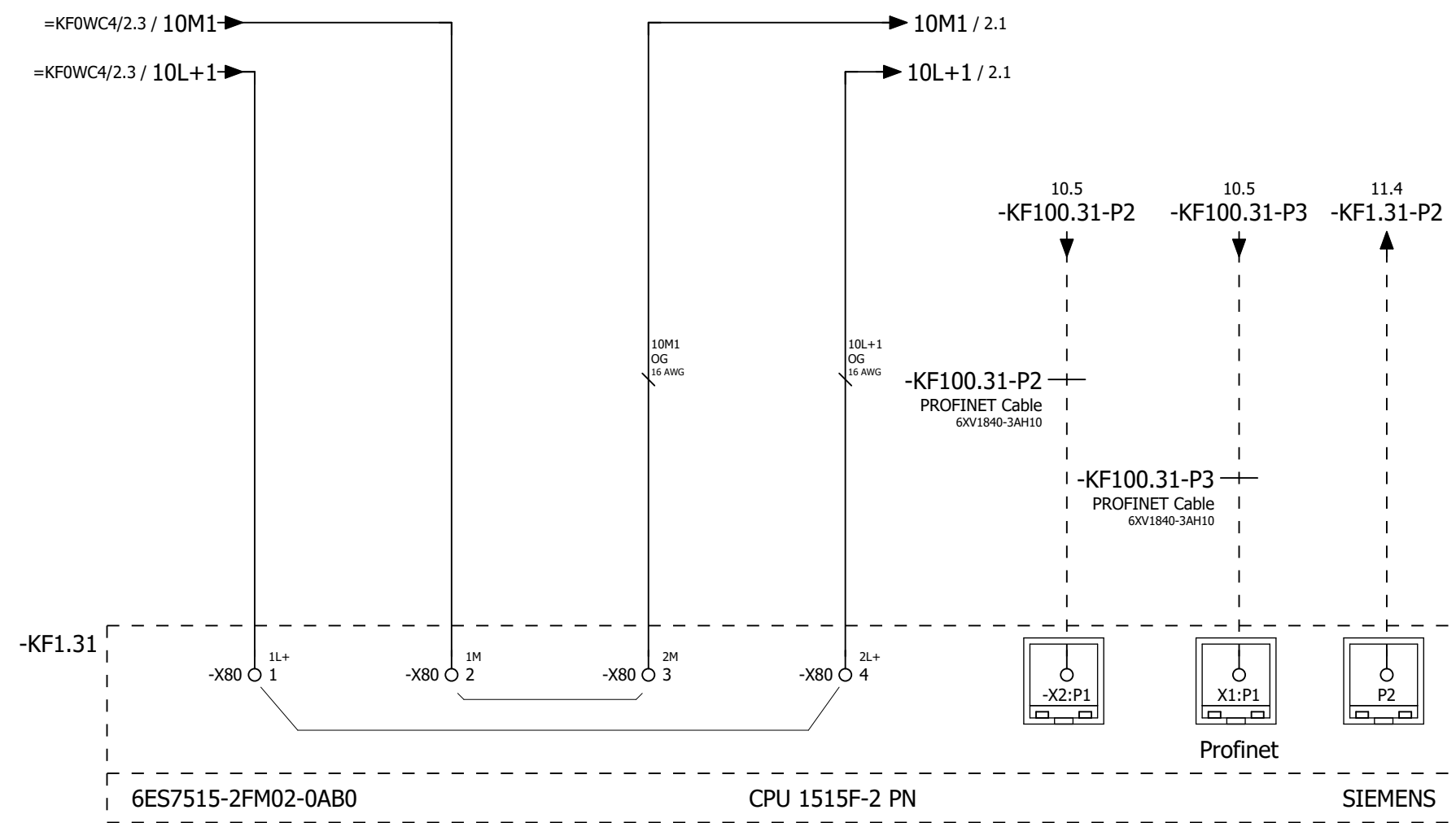
Date	1/17/2023	Volvo Trucks North America	Valiant TMS	Table of contents : &EPB+V1WR1UQ52UQ1.1/1 - &EPB+V1WR1UQ52UQ7.3/1	Drawing name: =2V07&EFS-EL	=	
Ed.	MKLEPADLO	 P6700 Roof Inr & Dr Ring LH - Cell 2V07	Scale 1:1		Document type: EAB	Project nr: 22-16144	
Appr					Page	13	
Modification	Date	Name	Original	Replacement of	Replaced by	Page	509

Table of contents

Column X: An automatically generated page was edited

F06_001

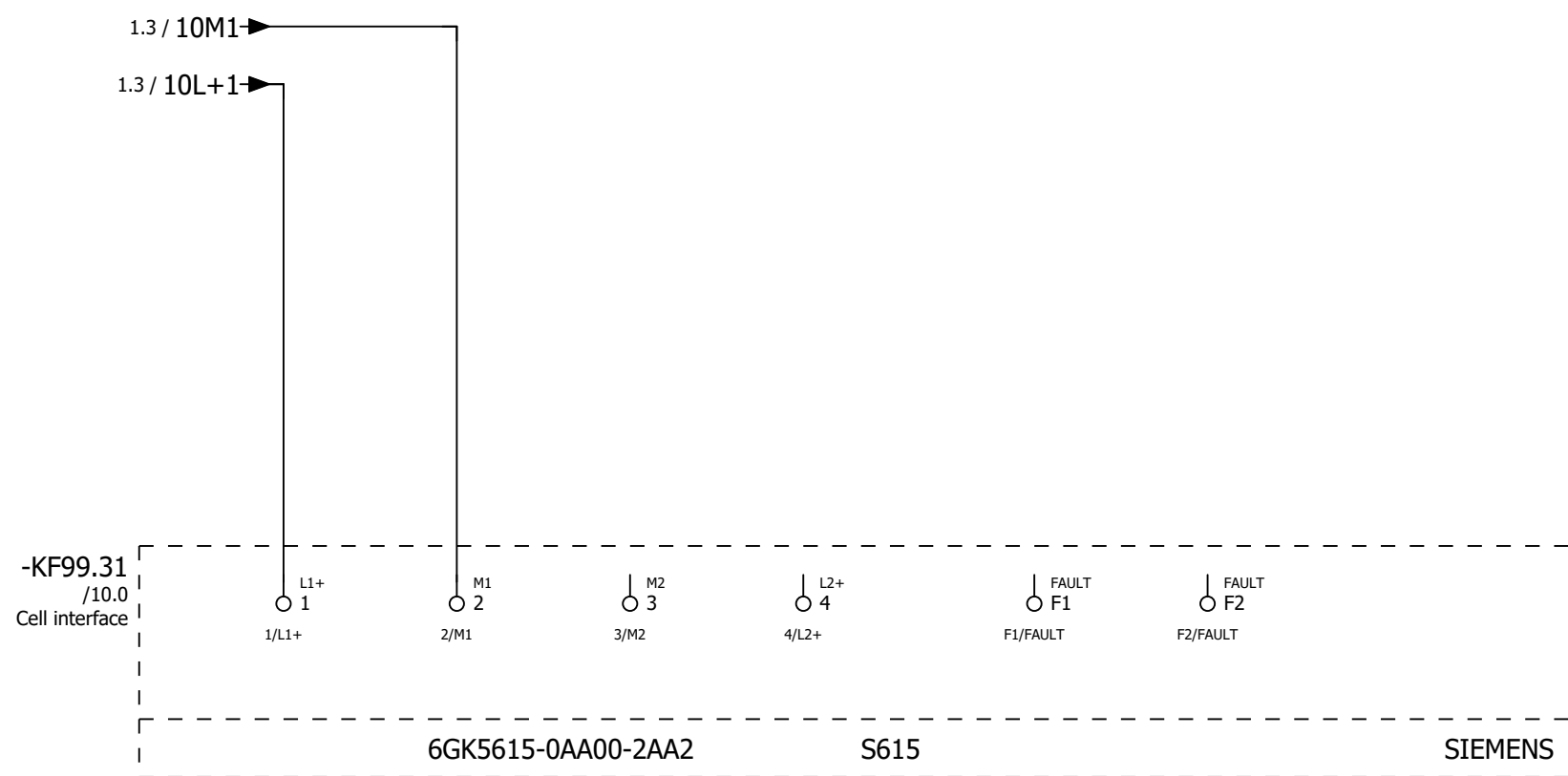
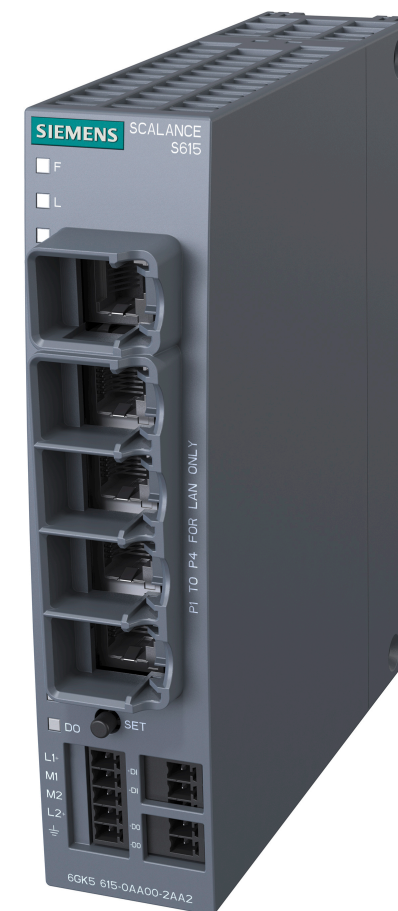
Page	Page description	supplementary page field	Date	Edited by	X
&ETT/22	Terminal line-up diagram =V1WC4+V1UC11-XD13		1/17/2023	MKLEPADLO	
&ETT/23	Terminal line-up diagram =V1WC4+V1UC11-XD14		1/17/2023	MKLEPADLO	
&ETT/24	Terminal line-up diagram =V1WC4+V1UC11-XD20		1/17/2023	MKLEPADLO	
&ETT/25	Terminal line-up diagram =V1WC4+V1UC11-XD51		1/17/2023	MKLEPADLO	
&ETT/26	Terminal line-up diagram =V1WC4+V1UC11-XD52		1/17/2023	MKLEPADLO	
&ETT/27	Terminal line-up diagram =V1WC4+V1UC11-XD53		1/17/2023	MKLEPADLO	
&ETT/28	Terminal line-up diagram =V1WC4+V1UC11-XD54		1/17/2023	MKLEPADLO	
&ETT/29	Terminal line-up diagram =V1WC3+V1UC14-XD1		1/17/2023	MKLEPADLO	
&ETT/30	Terminal line-up diagram =V1WC4+V1UC14-KF14.12		1/17/2023	MKLEPADLO	
&ETT/31	Terminal line-up diagram =V1WC4+V1UC14-XD5		1/17/2023	MKLEPADLO	
&ETT/32	Terminal line-up diagram =V1WC4+V1UC14-XD6		1/17/2023	MKLEPADLO	
&ETT/33	Terminal line-up diagram =V1WC4+V1UC14-XD10		1/17/2023	MKLEPADLO	
&ETT/34	Terminal line-up diagram =V1WC4+V1UC14-XD11		1/17/2023	MKLEPADLO	
&ETT/35	Terminal line-up diagram =V1WC4+V1UC14-XD12		1/17/2023	MKLEPADLO	
&ETT/36	Terminal line-up diagram =V1WC4+V1UC14-XD13		1/17/2023	MKLEPADLO	
&ETT/37	Terminal line-up diagram =V1WC4+V1UC14-XD14		1/17/2023	MKLEPADLO	
&ETT/38	Terminal line-up diagram =V1WC4+V1UC14-XD15		1/17/2023	MKLEPADLO	
&ETT/39	Terminal line-up diagram =V1WC4+V1UC14-XD16		1/17/2023	MKLEPADLO	
&ETT/40	Terminal line-up diagram =V1WC4+V1UC14-XD17		1/17/2023	MKLEPADLO	
&ETT/41	Terminal line-up diagram =V1WC4+V1UC14-XD18		1/17/2023	MKLEPADLO	
&ETT/42	Terminal line-up diagram =V1WC4+V1UC14-XD51		1/17/2023	MKLEPADLO	
&ETT/43	Terminal line-up diagram =V1WC4+V1UC14-XD52		1/17/2023	MKLEPADLO	
&ETT/44	Terminal line-up diagram =V1WC4+V1UC14-XD53		1/17/2023	MKLEPADLO	
&ETT/45	Terminal line-up diagram =V1WC4+V1UC14-XD54		1/17/2023	MKLEPADLO	
&ETT/46	Terminal line-up diagram =V1WC4+V1UC46-XD11		1/17/2023	MKLEPADLO	
&ETT/47	Terminal line-up diagram =V1WC4+V1UC46-XD14		1/17/2023	MKLEPADLO	
&ETT/48	Terminal line-up diagram =V1WC4+V1UC46-XD51.1		1/17/2023	MKLEPADLO	
&ETT/49	Terminal line-up diagram =V1WC4+V1UC46-XD52.1		1/17/2023	MKLEPADLO	
&ETT/50	Terminal line-up diagram =V1WC4+V1UC46-XD53.1		1/17/2023	MKLEPADLO	
&ETT/51	Terminal line-up diagram =V1WC4+V1UC46-XD54.1		1/17/2023	MKLEPADLO	
&ETT/52	Terminal line-up diagram =V1PZ1PF1+V1UC61-XD11		1/17/2023	MKLEPADLO	
&EXX/1	Summarized parts list : TS 35_7,5 - SIE.6ES7155-6AA01-0BN0		1/17/2023	MKLEPADLO	
&EXX/2	Summarized parts list : SIE.6ES7131-6BH01-0BA0 - SIE.6EP1961-2BA41		1/17/2023	MKLEPADLO	




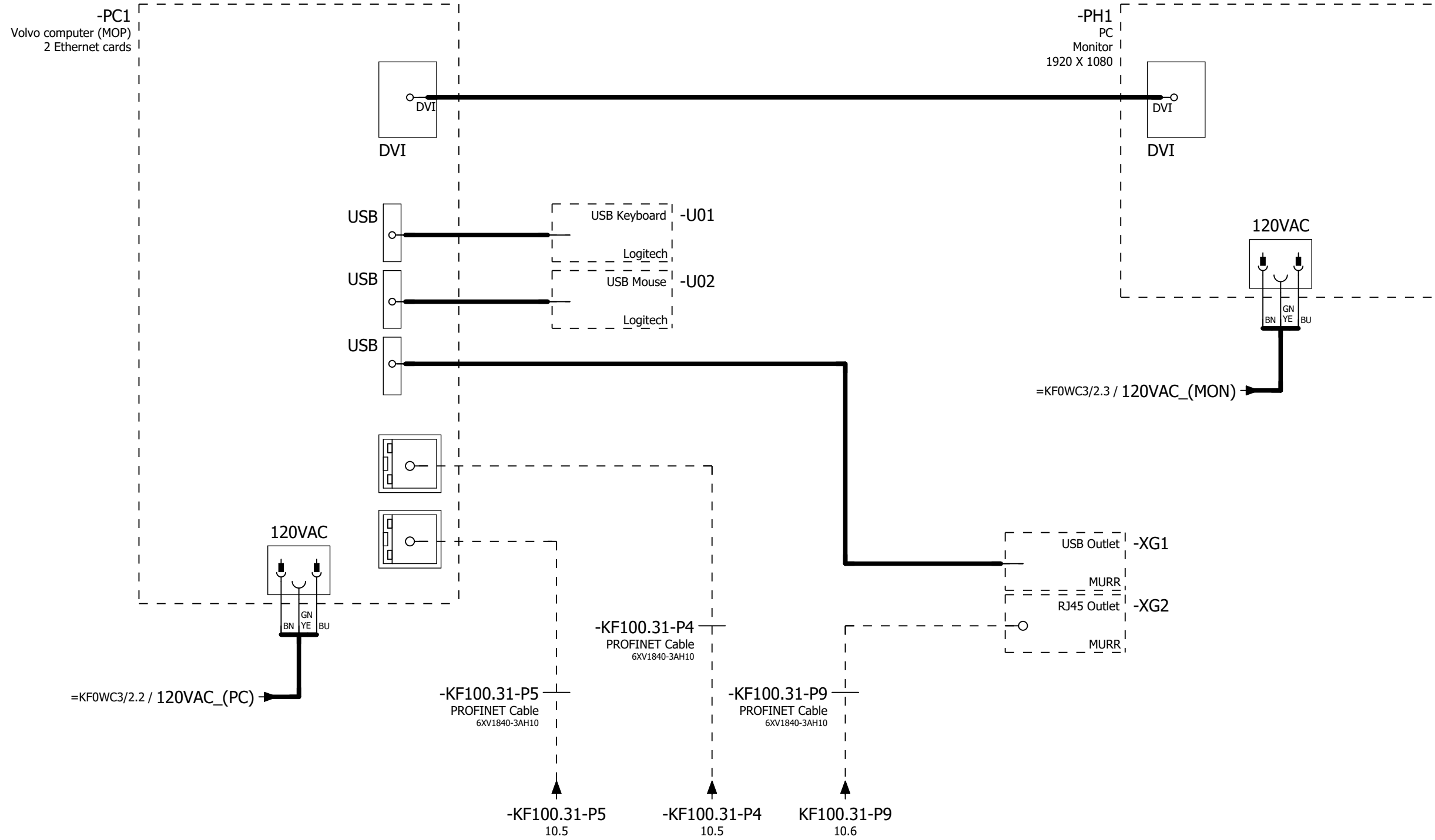
=KF0FQ0/1

2

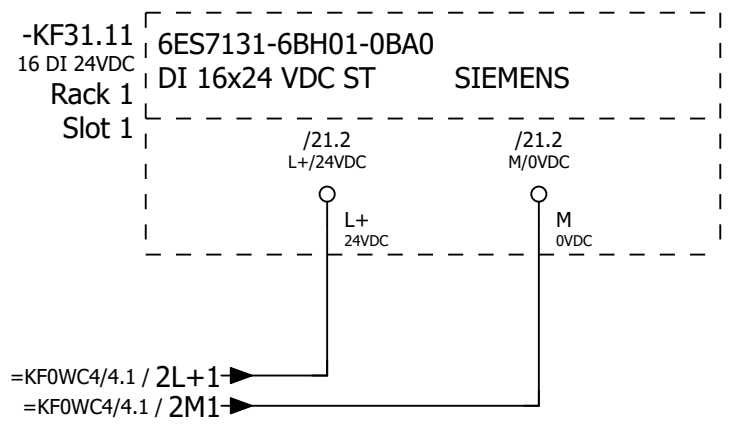
Date		1/17/2023		Volvo Trucks North America		Valiant TMS		CPU 1515-F-2PN, Failsafe		Drawing name:		= KF0KF1	
Ed.		MKLEPADLO		P6700 Roof Inr & Dr Ring LH - Cell 2V07						=2V07&EFS-EL		+ UC31	
Appr.				Replacement of		Replaced by		Scale 1:1		Document type:		Project nr:	
Modification		Date		Name		Original				EFS		22-16144	
												Page	1
													509



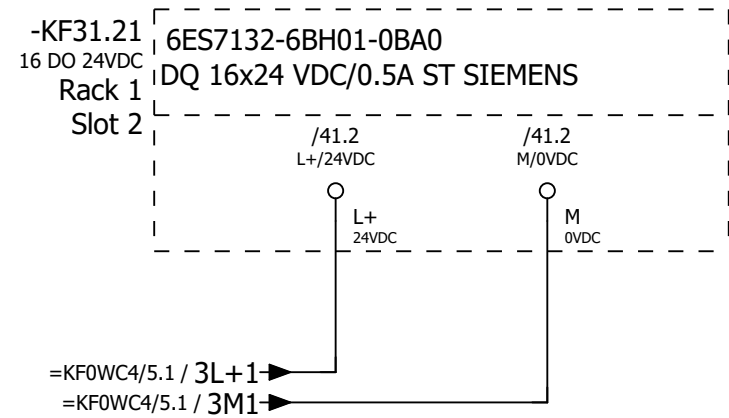
			Date	1/17/2023	Volvo Trucks North America	Valiant TMS	Cell interface S615	Drawing name:	= KF0KF1	
			Ed.	MKLEPADLO		Scale 1:1		=2V07&EFS-EL	+ UC31	
			Appr					P6700 Roof Inr & Dr Ring LH - Cell 2V07	Document type:	EFS
Modification	Date	Name	Original		Replacement of	Replaced by			Page	2
										509



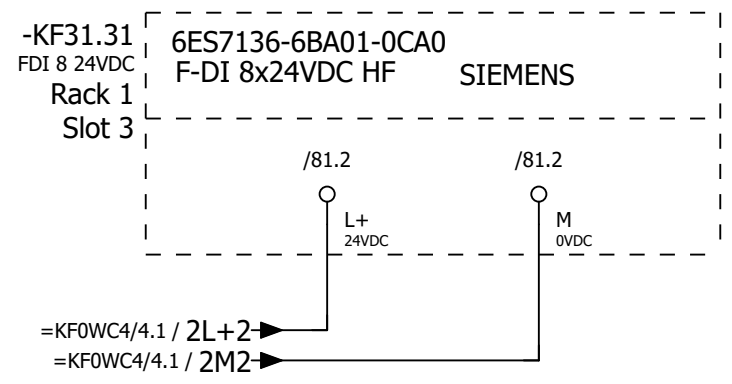
Date		1/17/2023		Volvo Trucks North America		Valiant TMS		MOP, PC		Drawing name:		= KF0KF1	
Ed.		MKLEPADLO		P6700 Roof Inr & Dr Ring LH - Cell 2V07		Scale 1:1				=2V07&EFS-EL		+ UC31	
Appr				Replacement of		Replaced by				Document type:		Project nr:	
Original										EFS		22-16144	
Modification	Date	Name	Original									Page	6
													509



		Date	1/17/2023	Volvo Trucks North America	Valiant TMS	ET200S Wiring DI	Drawing name:		= KF0KF1
		Ed.	MKLEPADLO				=2V07&EFS-EL		+ UC31
		Appr		P6700 Roof Inr & Dr Ring LH - Cell 2V07	Scale 1:1		Document type:	Project nr:	Page
Modification	Date	Name	Original	Replacement of			Replaced by	EFS	22-16144
									509

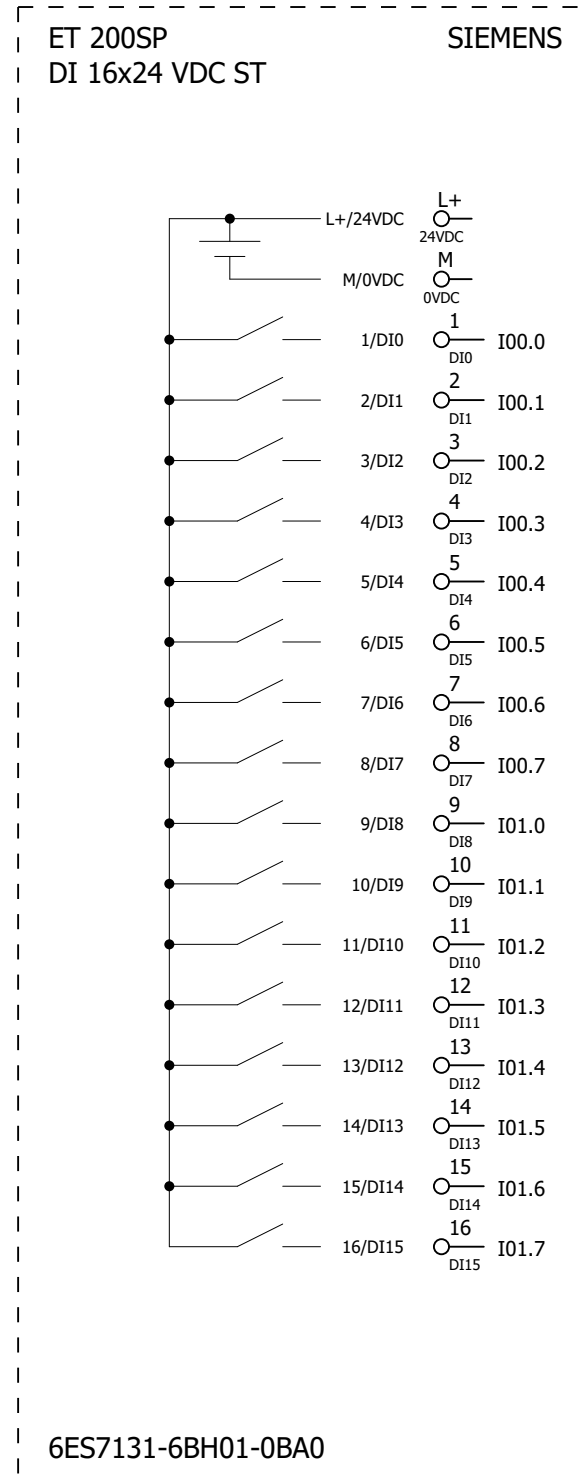


			Date	1/17/2023	Volvo Trucks North America	Valiant TMS	ET200S Wiring DO	Drawing name:		= KF0KF1	
			Ed.	MKLEPADLO				=2V07&EFS-EL		+ UC31	
			Appr					Document type:	Project nr:	Page	
Modification	Date	Name	Original		Replacement of	Replaced by	Scale 1:1	EFS	22-16144	509	



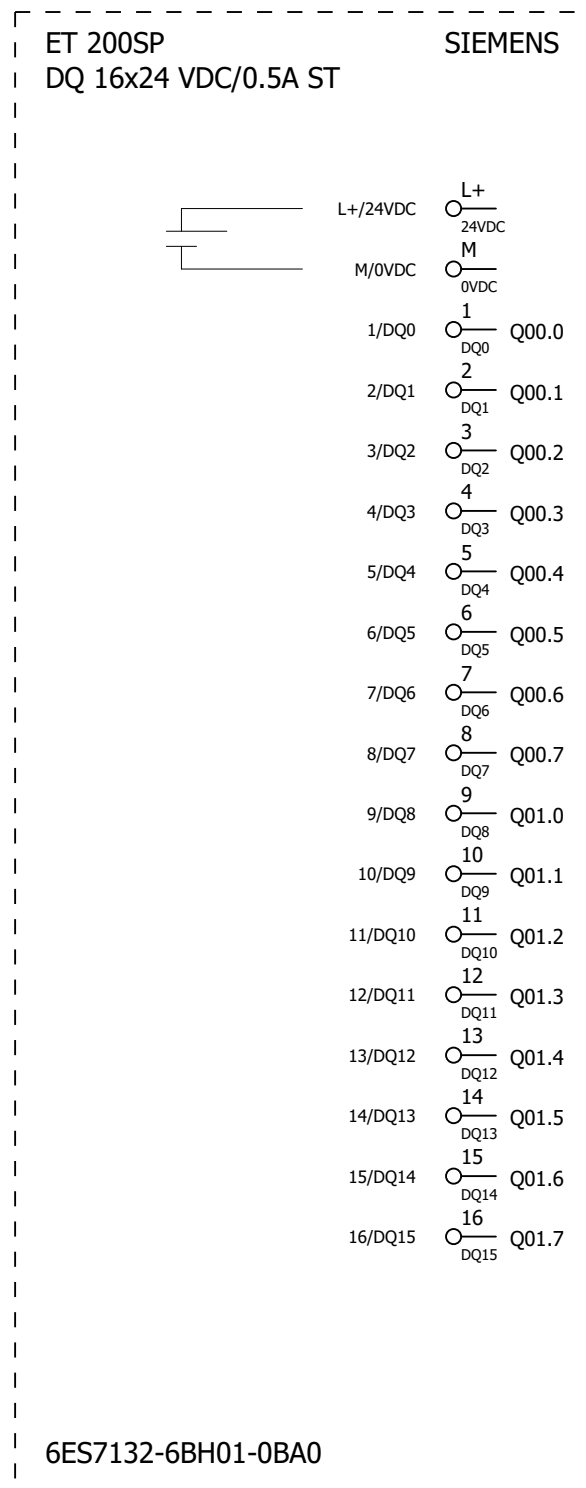
		Date	1/17/2023	Volvo Trucks North America		Valiant TMS	ET200S Wiring F-DI	Drawing name:		= KF0KF1
		Ed.	MKLEPADLO	P6700 Roof Inr & Dr Ring LH - Cell 2V07				=2V07&EFS-EL		+ UC31
		Appr		Replacement of		Scale 1:1	Document type:		Project nr:	Page
Modification	Date	Name	Original	Replaced by			EFS		22-16144	18
										509

-KF31.11



L+/24VDC	I00.0	=KF0SF1/2.2	=KF0SF1+UC31UC92-SF1_I	Emergency stop tripped/reset PB
M/0VDC	I00.1	=KF0SF1/2.5	=KF0SF1+UC31UC92-SF2_I	Enable power PB
1/DI0	I00.2	=KF0SF1/2.7	=KF0SF1+UC31UC92-SF3_I	Start auto PB
2/DI1	I00.3	=KF0SF1/2.7	=KF0SF1+UC31UC92-SF4_I	Man/Auto Sel Switch
3/DI2	I00.4	=KF0SF1/1.5	=KF0SF1+UC31UC91-SF5	Set PB
4/DI3	I00.5	=KF0SF1/1.2	=KF0SF1+UC31UC91-SF6	Reset PB
5/DI4	I00.6	I00.6	I00.6	Spare
6/DI5	I00.7	I00.7	I00.7	Spare
7/DI6	I01.0	=KF0WC4/2.6	=K0WC4-GA1.1	UPS Battery
8/DI7	I01.1	=KF0WC4/2.7	=K0WC4-GA1.2	UPS Alarm
9/DI8	I01.2	=KF0WC3/3.2	=KF0WC3+UC31-FC1	Monitoring 120 VAC
10/DI9	I01.3	=KF0WC3/3.4	=KF0WC3+UC31-FC2	Monitoring 120 VAC
11/DI10	I01.4	=KF0WC4/1.3	=KF0WC4+UC31-FC11_I	Monitoring 24 VDC
12/DI11	I01.5	I01.5	I01.5	Spare
13/DI12	I01.6	I01.6	I01.6	Spare
14/DI13	I01.7	I01.7	I01.7	Spare
15/DI14				
16/DI15				

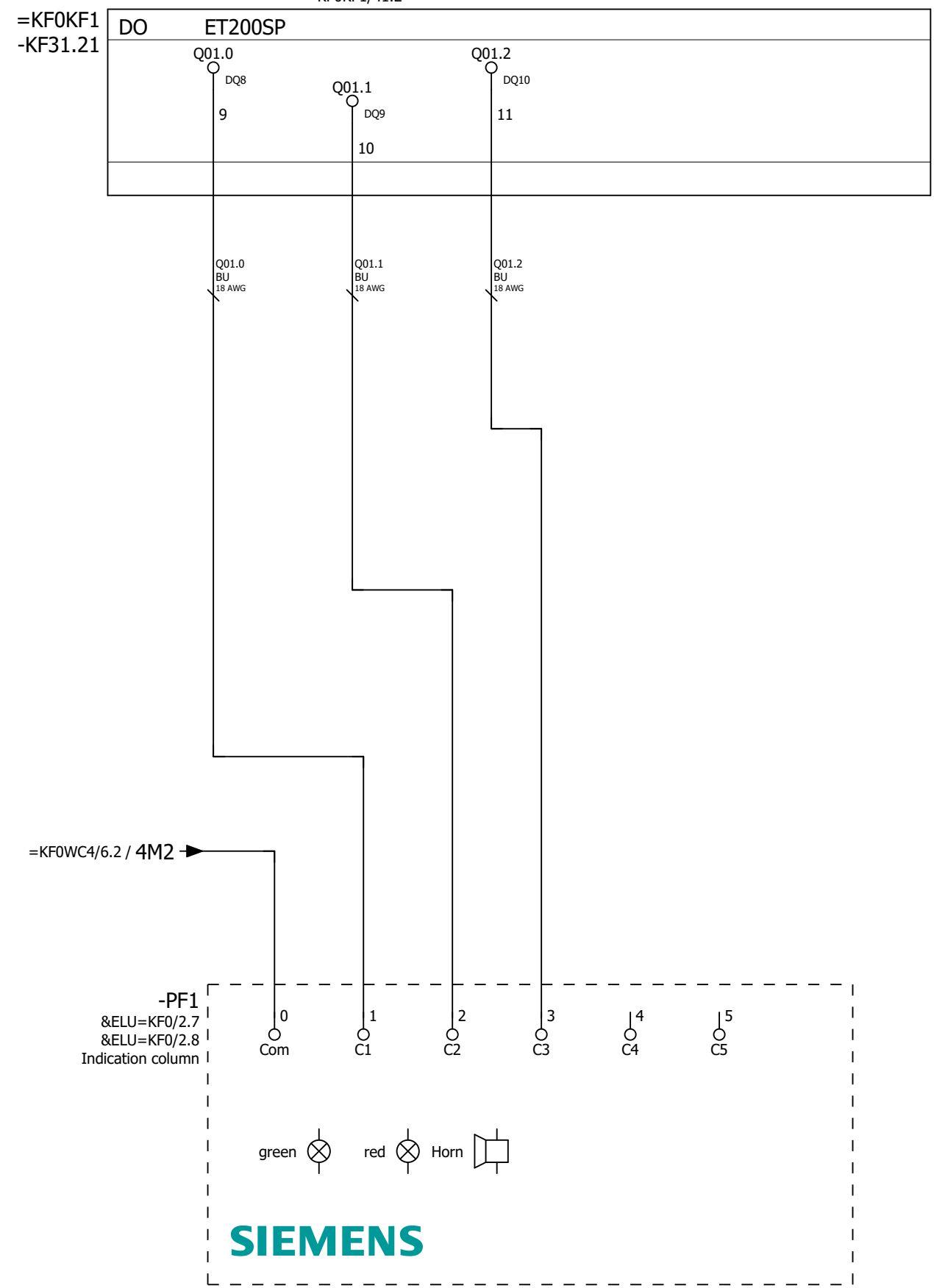
-KF31.21



Indication column Green
 =KF0PZ1+UC31-PF1_1
 =KF0KF1/41.2

Indication column Siren
 =KF0PZ1+UC31-PF1_3
 =KF0KF1/41.2

Indication column Red
 =KF0PZ1+UC31-PF1_2
 =KF0KF1/41.2

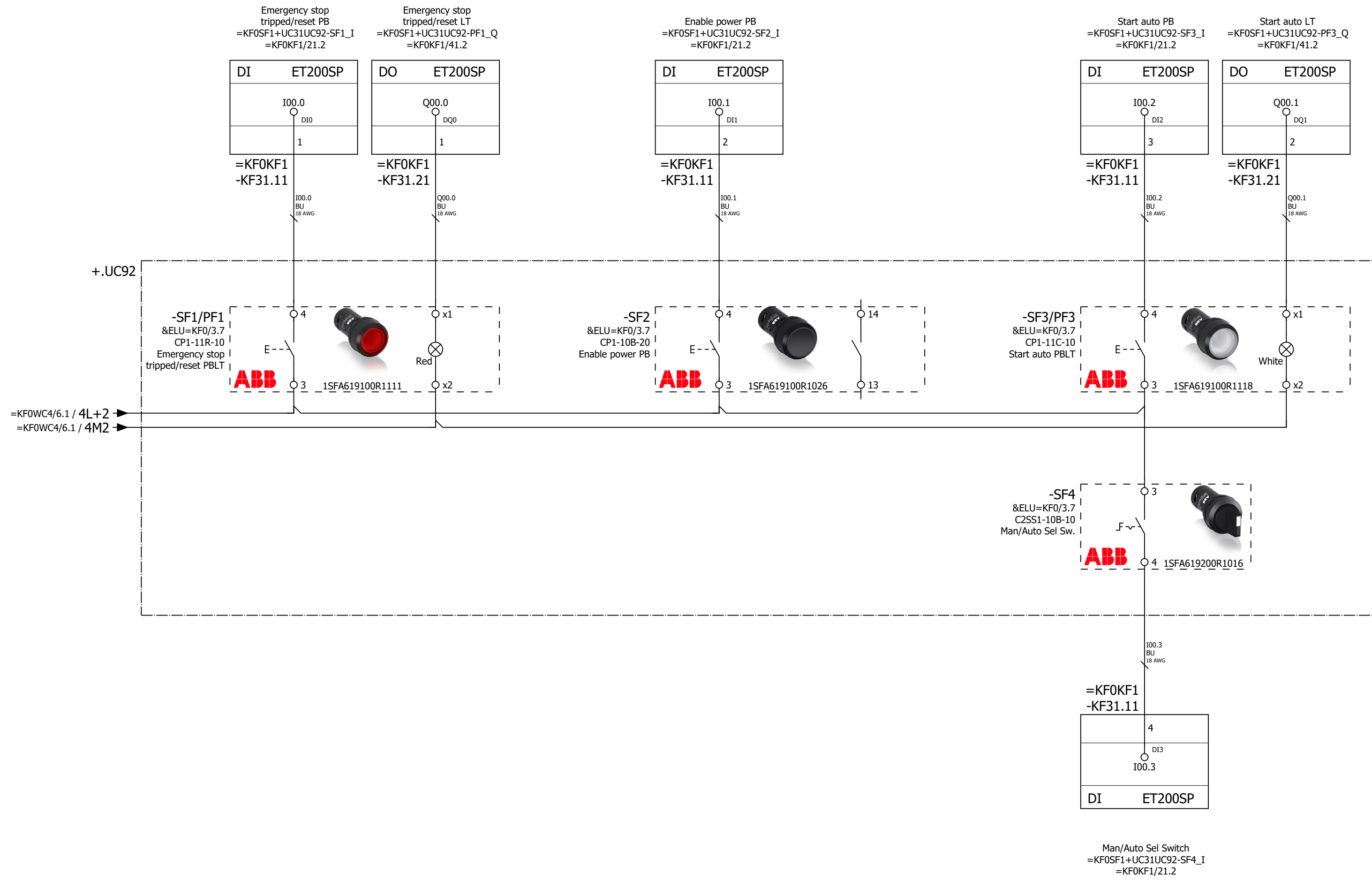


=KF0WC4/6.2 / 4M2 →

=KF0KF1/81

=KF0SF1/1

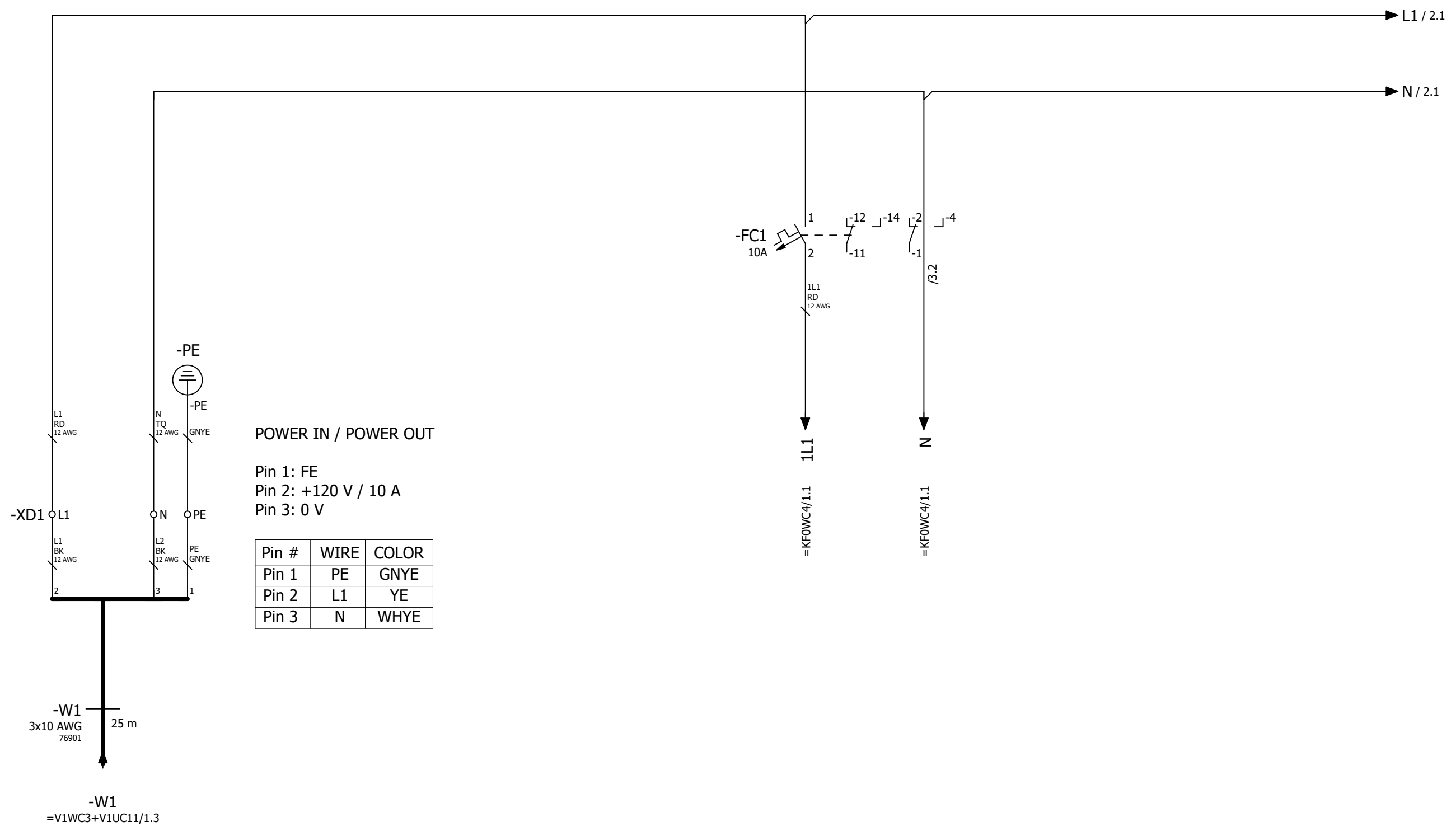
Date		1/17/2023		Volvo Trucks North America		Valiant TMS		Indication column		Drawing name: =2V07&EFS-EL		= KF0PZ1 + UC31	
Ed.		MKLEPADLO		P6700 Roof Inr & Dr Ring LH - Cell 2V07		Scale 1:1				Document type: EFS		Project nr: 22-16144	
Appr.				Replacement of		Replaced by				Page		1	
Modification		Date		Name		Original				Page		509	



1

=KF0WC3/1

Date	1/17/2023	Volvo Trucks North America	Valiant TMS	Operating box UC92 MOP	Drawing name:	= KF0SF1		
Ed.	MKLEPADLO	P6700 Roof Inr & Dr Ring LH - Cell 2V07	Scale 1:1		=2V07&EFS-EL	+ UC31		
Appr					Document type:	Project nr:	Page	2
Modification	Date	Name	Original	Replacement of	Replaced by	EFS	22-16144	509



POWER IN / POWER OUT

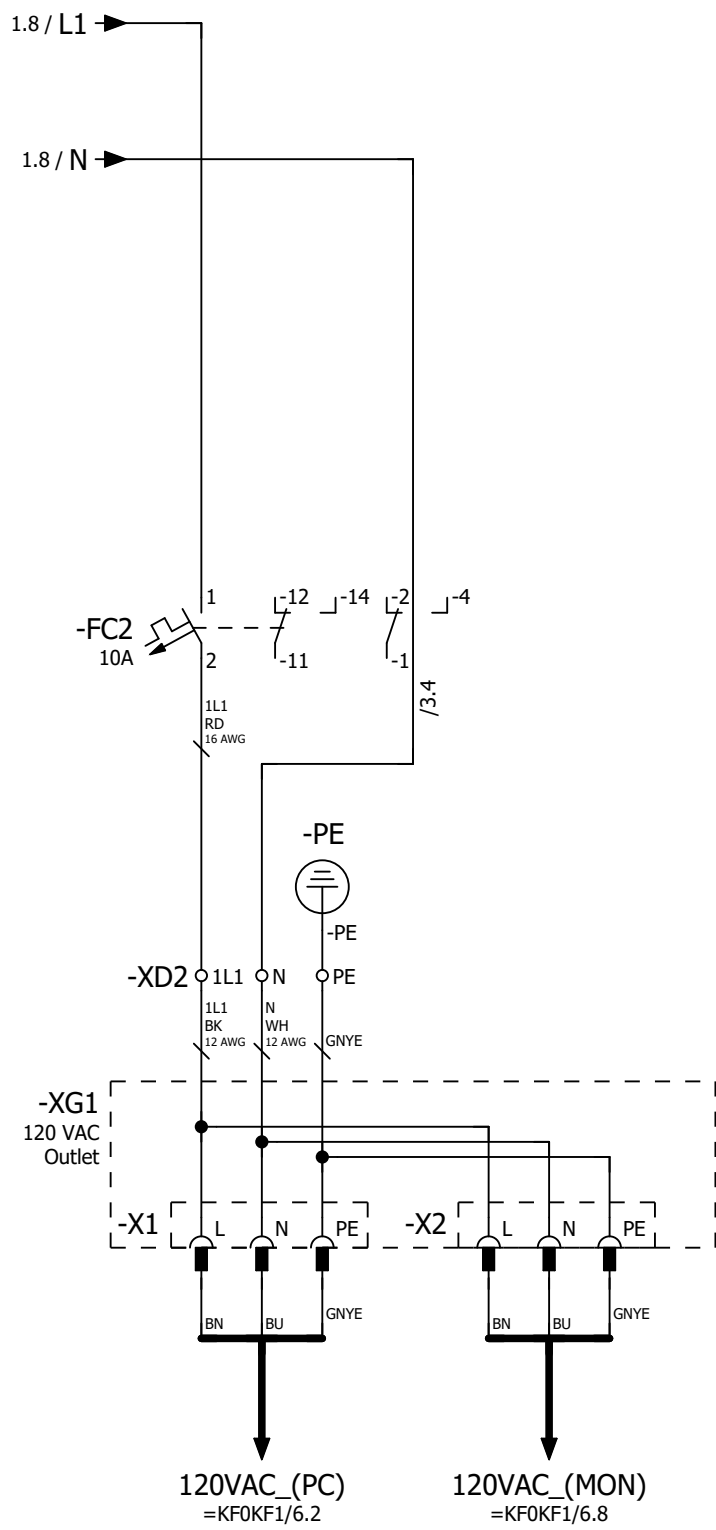
Pin 1: FE
 Pin 2: +120 V / 10 A
 Pin 3: 0 V

Pin #	WIRE	COLOR
Pin 1	PE	GNYE
Pin 2	L1	YE
Pin 3	N	WHYE

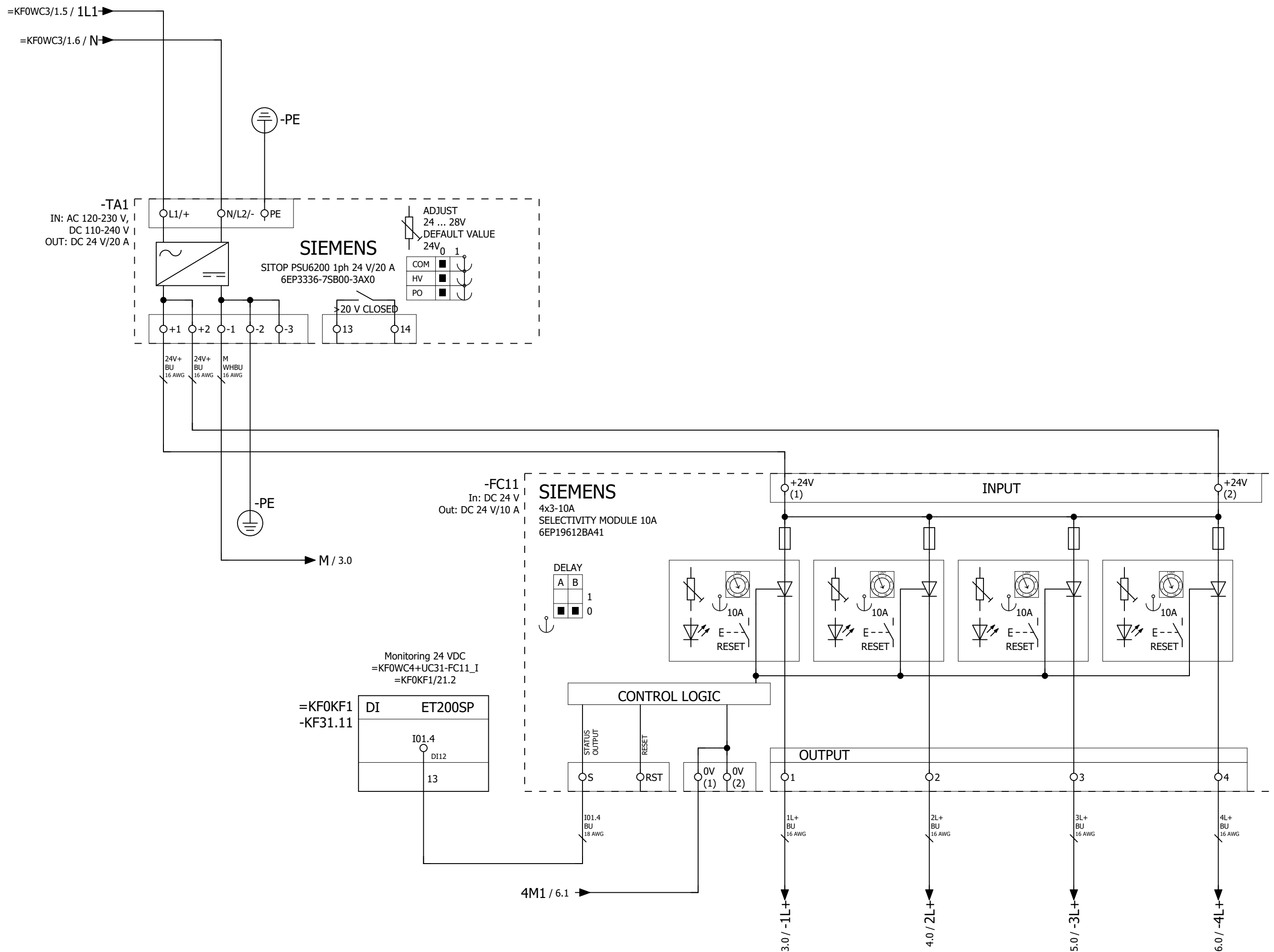
Power
 Distribution
 24 VDC
 Power Supply

=KF0SF1/2

2



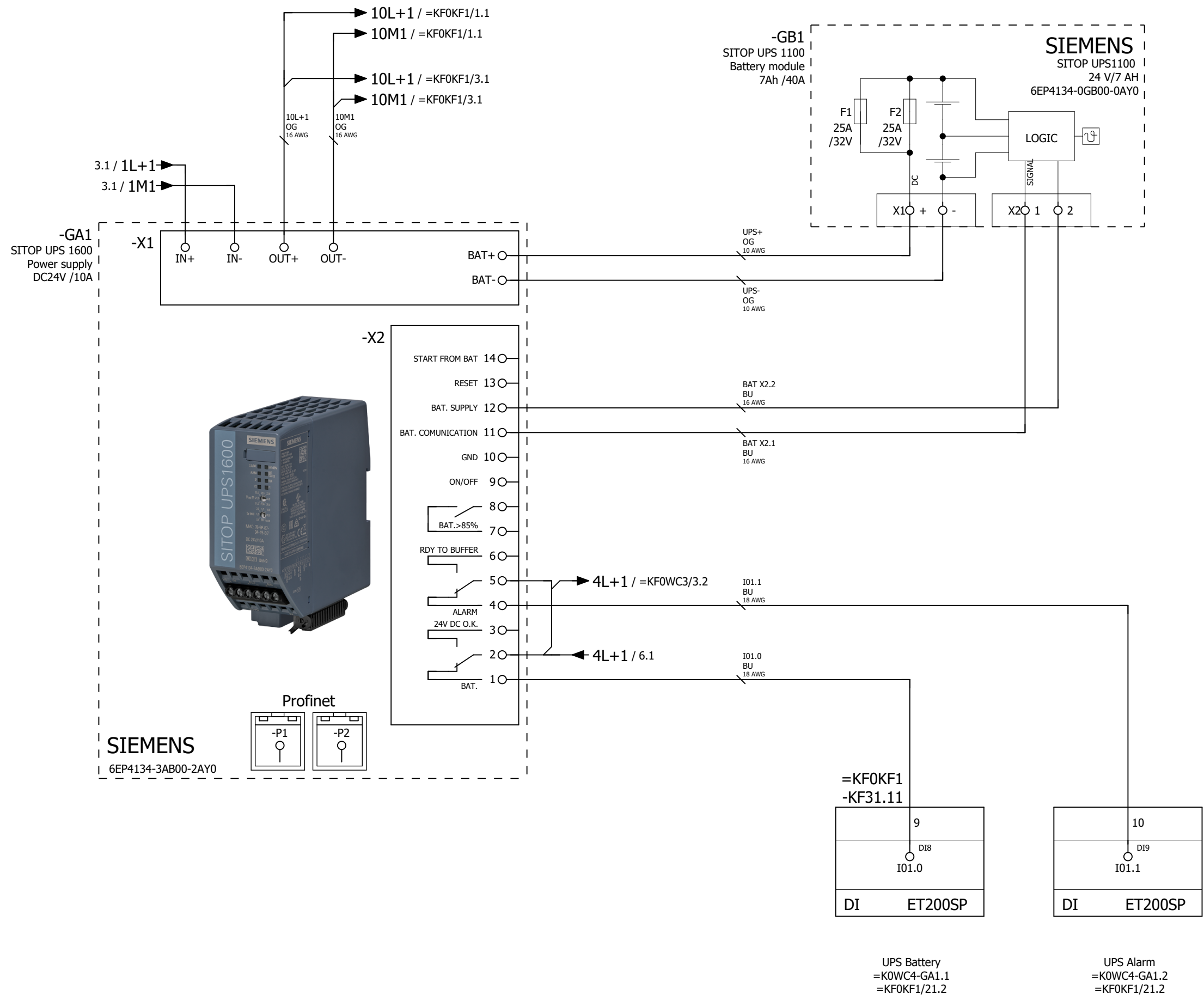
			Date	1/17/2023	Volvo Trucks North America	Valiant TMS	Outlet PLC 120VAC	Drawing name:		= KF0WC3
			Ed.	MKLEPADLO				=2V07&EFS-EL		+ UC31
			Appr		P6700 Roof Inr & Dr Ring LH - Cell 2V07	Scale 1:1	Document type:	Project nr:	Page	2
Modification	Date	Name	Original				Replacement of	Replaced by	EFS	22-16144



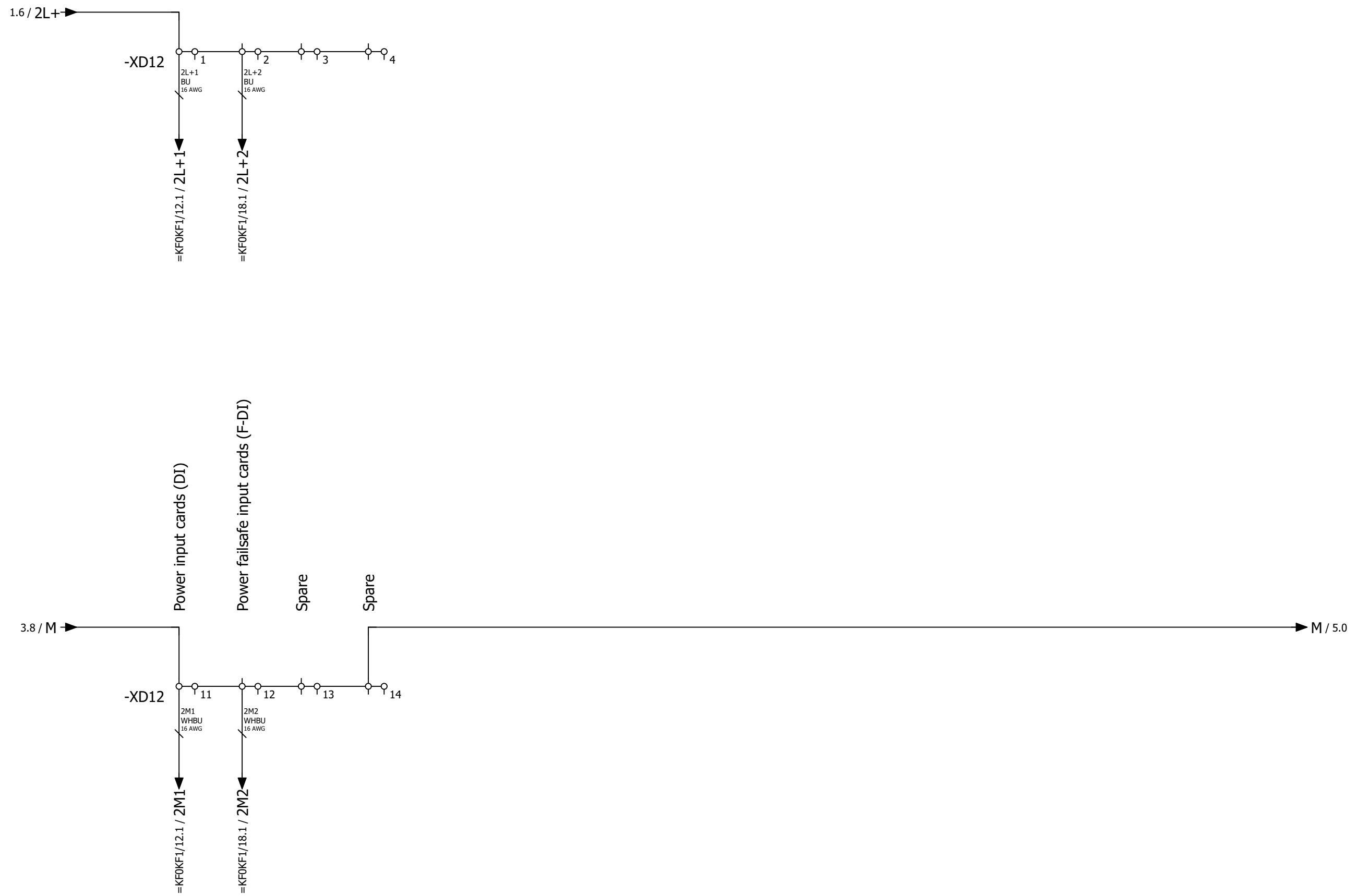
=KF0WC3/3

2

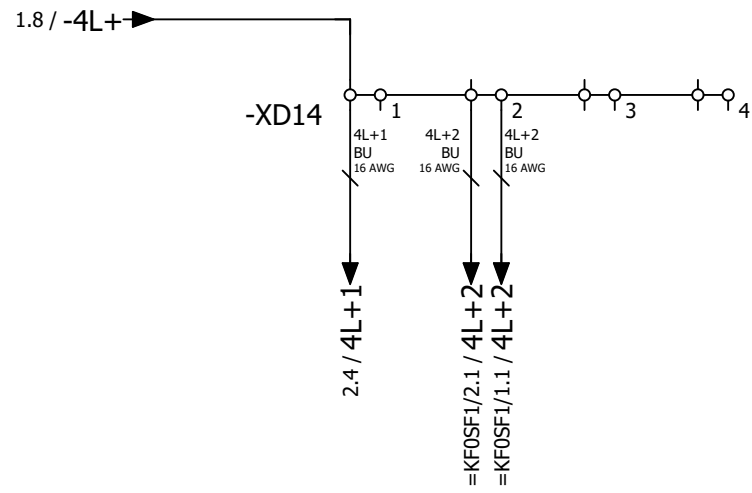
Date: 1/17/2023		Volvo Trucks North America		Valiant TMS		Power distribution 24VDC		Drawing name: =2V07&EFS-EL		= KF0WC4	
Ed.: MKLEPADLO		P6700 Roof Inr & Dr Ring LH - Cell 2V07		Scale 1:1				Document type: EFS		Project nr: 22-16144	
Appr:		Replacement of		Replaced by				Page 1		509	
Modification	Date	Name	Original								



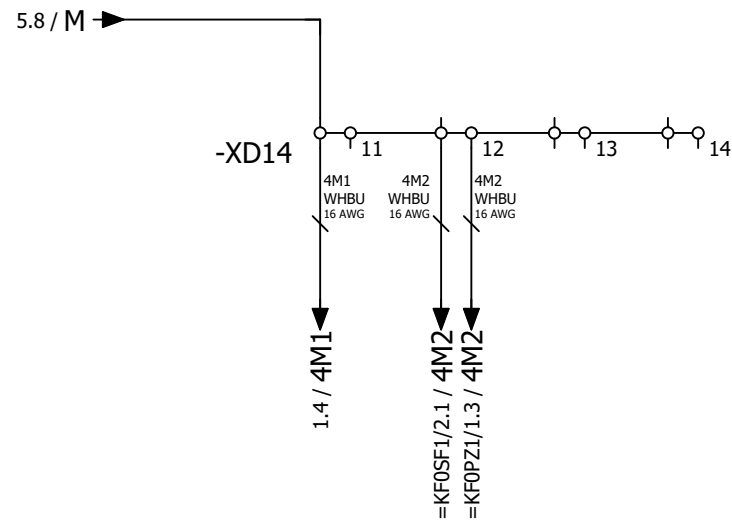
Date		1/17/2023		Volvo Trucks North America		Valiant TMS		Power distribution, UPS		Drawing name:		= KF0WC4	
Ed.		MKLEPADLO		P6700 Roof Inr & Dr Ring LH - Cell 2V07		Scale 1:1				=2V07&EFS-EL		+ UC31	
Appr				Replacement of		Replaced by				Document type:		Project nr:	
Original										EFS		22-16144	
Modification		Date		Name		Original				Page		2	
										509			



			Date	1/17/2023	Volvo Trucks North America	Valiant TMS	Power distribution 24VDC 2L+	Drawing name:		= KF0WC4	
			Ed.	MKLEPADLO				=2V07&EFS-EL		+ UC31	
			Appr					Document type:		Project nr:	
Modification	Date	Name	Original		Replacement of	Replaced by	Scale 1:1	EFS	22-16144	Page 4	
									509		



Signals inside cabinet
 Signals operating boxes
 Spare
 Spare



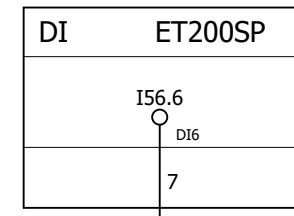
5

=KH0+KH0/1

Date	1/17/2023	Volvo Trucks North America	Valiant TMS	Power distribution 24VDC 4L+	Drawing name:	= KF0WC4		
Ed.	MKLEPADLO	P6700 Roof Inr & Dr Ring LH - Cell 2V07	Scale 1:1		=2V07&EFS-EL	+ UC31		
Appr					Document type:	Project nr:	Page	6
Modification	Date	Name	Original	Replacement of	Replaced by	EFS	22-16144	509

=V1KF1+V1UC11

Monitoring S010 Turntable AIR On
 =KH0-BP2_I
 =V1KF1+V1UC11/12.2

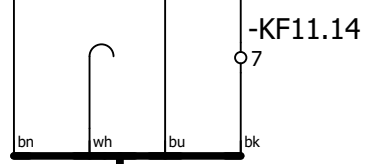


=V1KF1
 -KF11.14

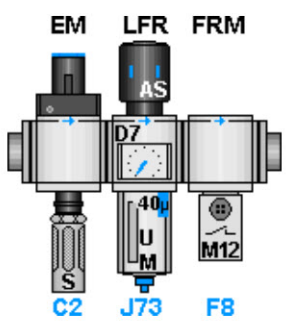
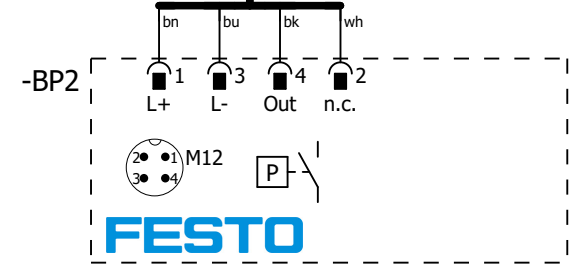
I56.6
 BUOG
 16 AWG

=V1WC4+V1UC11/5.4 / 3L+7

=V1WC4+V1UC11/5.4 / 3M7



-W2
 RKC 4.4T-10-RSC 4.4T/S3060 10m

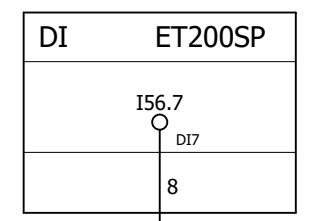


See drawing:
 =2V07&MFS-PNEU

Date		1/17/2023		Volvo Trucks North America		Valiant TMS		Incoming air supply (Turntable)		Drawing name: =2V07&EFS-EL		= KH0	
Ed.		MKLEPADLO		P6700 Roof Inr & Dr Ring LH - Cell 2V07		Scale 1:1				Document type: EFS		Project nr: 22-16144	
Appr				Replacement of		Replaced by				Page		2	
Modification		Date		Name		Original				Page		509	

=V1KF1+V1UC11

Monitoring S030 Fixture AIR On
 =KH0-BP3_I
 =V1KF1+V1UC11/12.2

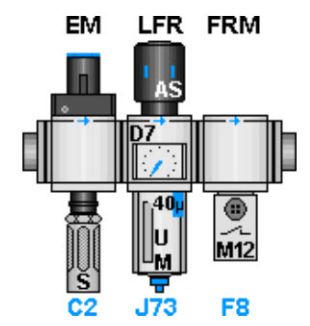
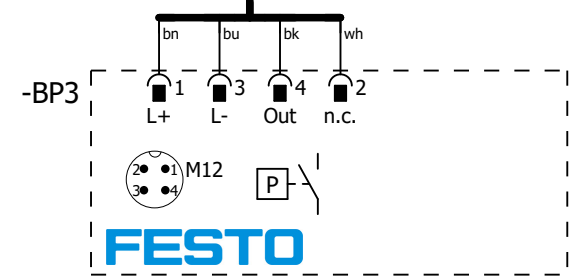
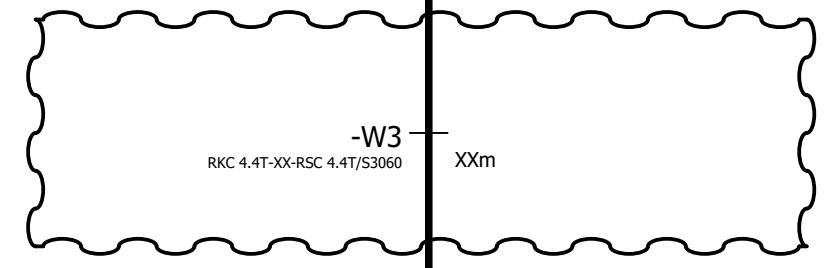
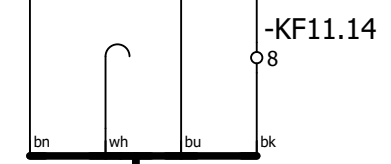


=V1KF1
 -KF11.14

I56.7
 BUOG
 16 AWG

=V1WC4+V1UC11/5.4 / 3L+8

=V1WC4+V1UC11/5.4 / 3M8

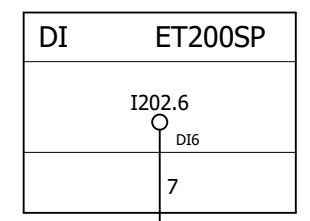


See drawing:
 =2V07&MFS-PNEU

Date		1/17/2023		Volvo Trucks North America		Valiant TMS		Incoming air supply (S030 Fixture)		Drawing name: =2V07&EFS-EL		= KH0	
Ed.		MKLEPADLO		P6700 Roof Inr & Dr Ring LH - Cell 2V07		Scale 1:1				Document type: EFS		Project nr: 22-16144	
Appr				Replacement of		Replaced by				Page		3	
Modification		Date		Name		Original				Page		509	

=V1KF1+V1UC14

Monitoring S050-FG1 Floor Guide AIR On
 =KH0-BP4_I
 =V1KF1+V1UC14/9.2

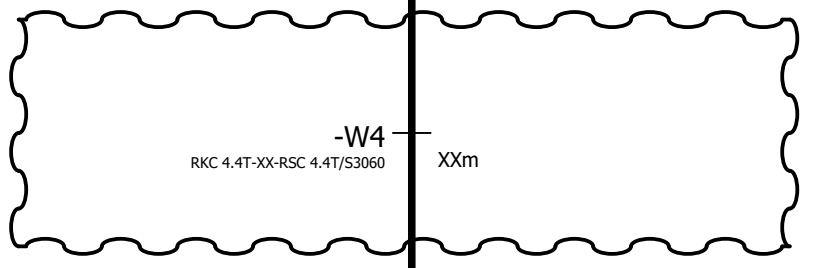
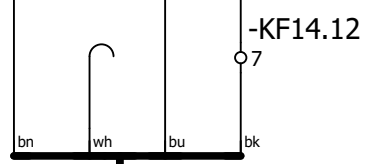


=V1KF1
 -KF14.12

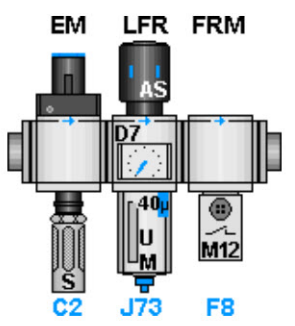
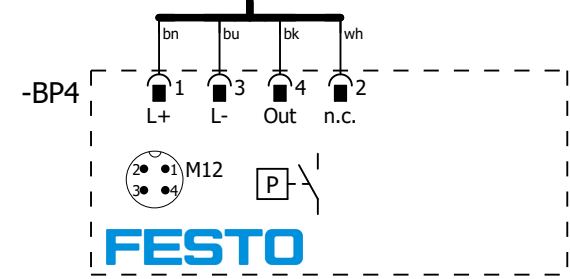
I202.6
 BUOG
 16 AWG

=V1WC4+V1UC14/9.1 / 8L+1

=V1WC4+V1UC14/9.1 / 8M1



TBD Location

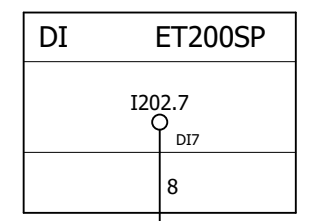


See drawing:
 =2V07&MFS-PNEU

Date		1/17/2023	Volvo Trucks North America		Valiant TMS	Incoming air supply (S050-FG1)	Drawing name:		= KH0
Ed.		MKLEPADLO	P6700 Roof Inr & Dr Ring LH - Cell 2V07				=2V07&EFS-EL		+ KH0
Appr			Replacement of		Scale 1:1		Document type:	Project nr:	Page
Modification	Date	Name	Original	Replaced by			EFS	22-16144	4

=V1KF1+V1UC14

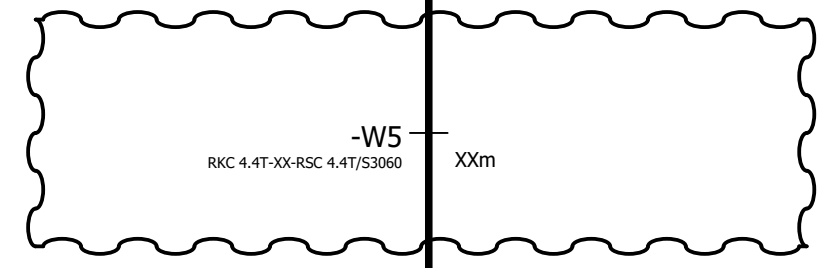
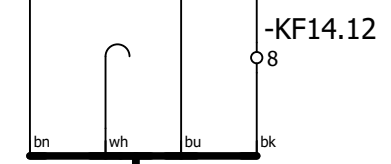
Monitoring S050-FG2 Floor Guide AIR On
 =KH0-BP5_I
 =V1KF1+V1UC14/9.2



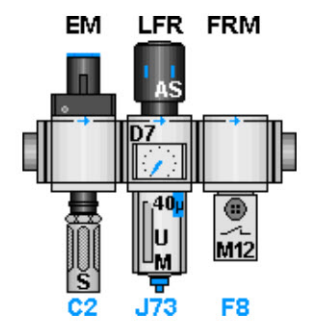
=V1KF1
 -KF14.12

I202.7
 BUOG
 16 AWG

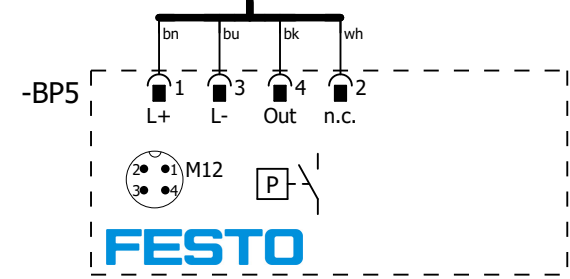
=V1WC4+V1UC14/9.2 / 8L+1
 =V1WC4+V1UC14/9.2 / 8M1



TBD Location



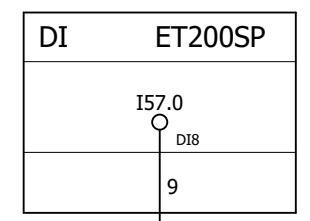
See drawing:
 =2V07&MFS-PNEU



Date		1/17/2023	Volvo Trucks North America		Valiant TMS	Incoming air supply (S050-FG2)	Drawing name:		= KH0
Ed.		MKLEPADLO	P6700 Roof Inr & Dr Ring LH - Cell 2V07				=2V07&EFS-EL		+ KH0
Appr			Replacement of		Scale 1:1		Document type:	Project nr:	Page
Modification	Date	Name	Original	Replaced by			EFS	22-16144	5

=V1KF1+V1UC11

Monitoring Main Water Filter Dirty
 =KH3-BF1_I
 =V1KF1+V1UC11/12.2

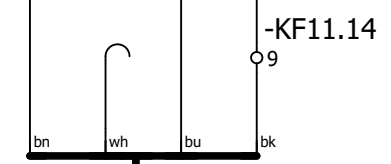


=V1KF1
 -KF11.14

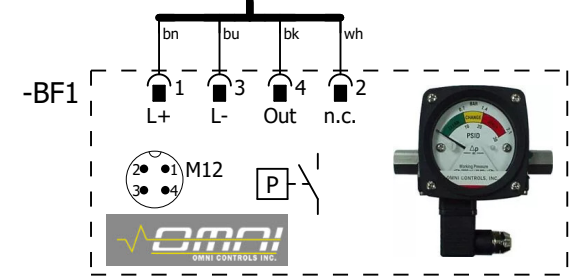
I57.0
 BUOG
 16 AWG

=V1WC4+V1UC11/6.2 / 4L+3

=V1WC4+V1UC11/6.2 / 4M3



-W1
 RKC 4.4T-10-RSC 4.4T/S3060 10m



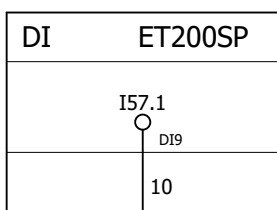
See drawing:
 =2V07&MFS-WATER

=KH0+KH0/5

Date		1/17/2023	Volvo Trucks North America		Valiant TMS	Incoming water supply (Filter)	Drawing name:		= KH3
Ed.		MKLEPADLO	P6700 Roof Inr & Dr Ring LH - Cell 2V07				=2V07&EFS-EL		+ KH3
Appr.			Replacement of		Scale 1:1	Document type:	Project nr:	Page	
Modification	Date	Name	Original	Replaced by				EFS	22-16144

=V1KF1+V1UC11

Monitoring Main Water On
=KH3-BF2_I
=V1KF1+V1UC11/12.2

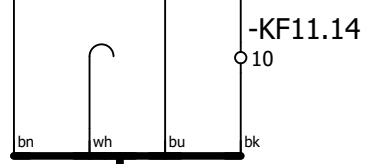


=V1KF1
-KF11.14

I57.1
BUOG
16 AWG

=V1WC4+V1UC11/6.2 / 4L+3

=V1WC4+V1UC11/6.2 / 4M3

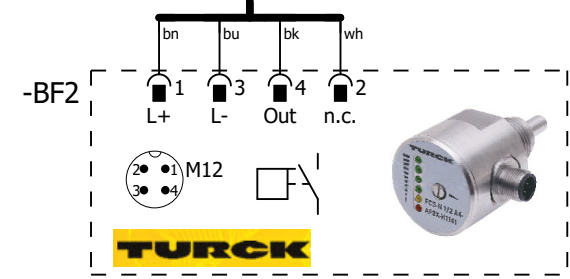


-W2

RKC 4.4T-10-RSC 4.4T/S3060

10m

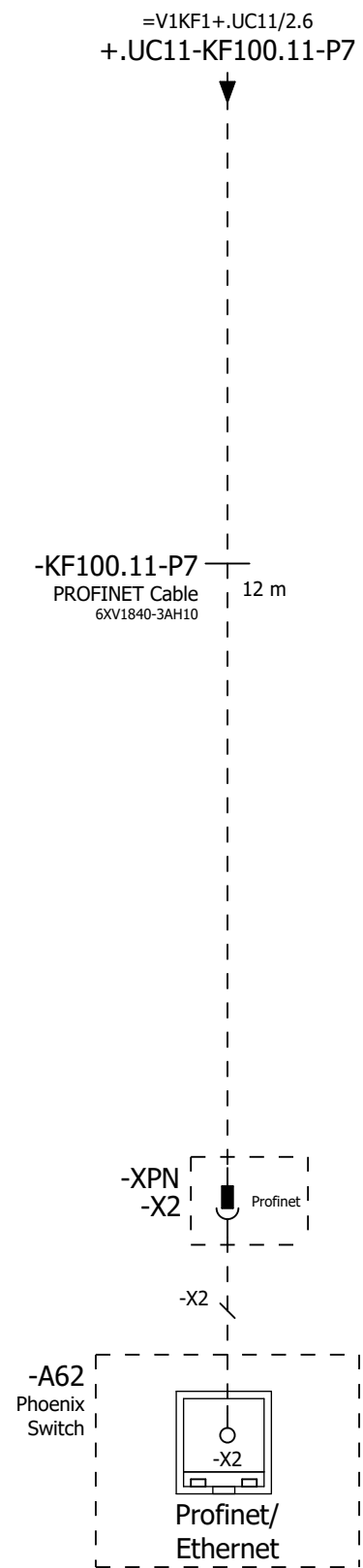
See drawing:
=2V07&MFS-WATER



1


=V1AR21KF1+V1AR21UC01/1

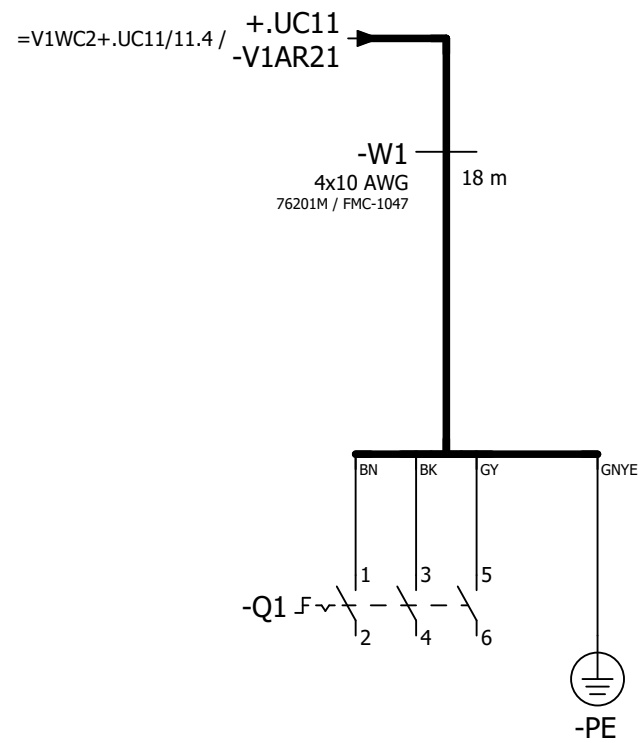
Date		1/17/2023	Volvo Trucks North America		Valiant TMS	Incoming water supply (Main)	Drawing name:		= KH3
Ed.		MKLEPADLO	P6700 Roof Inr & Dr Ring LH - Cell 2V07				=2V07&EFS-EL		+ KH3
Appr			Replacement of		Scale 1:1	Document type:	Project nr:	Page	2
Modification	Date	Name	Original	Replaced by					EFS



=KH3+KH3/2


=V1AR21WC1/1

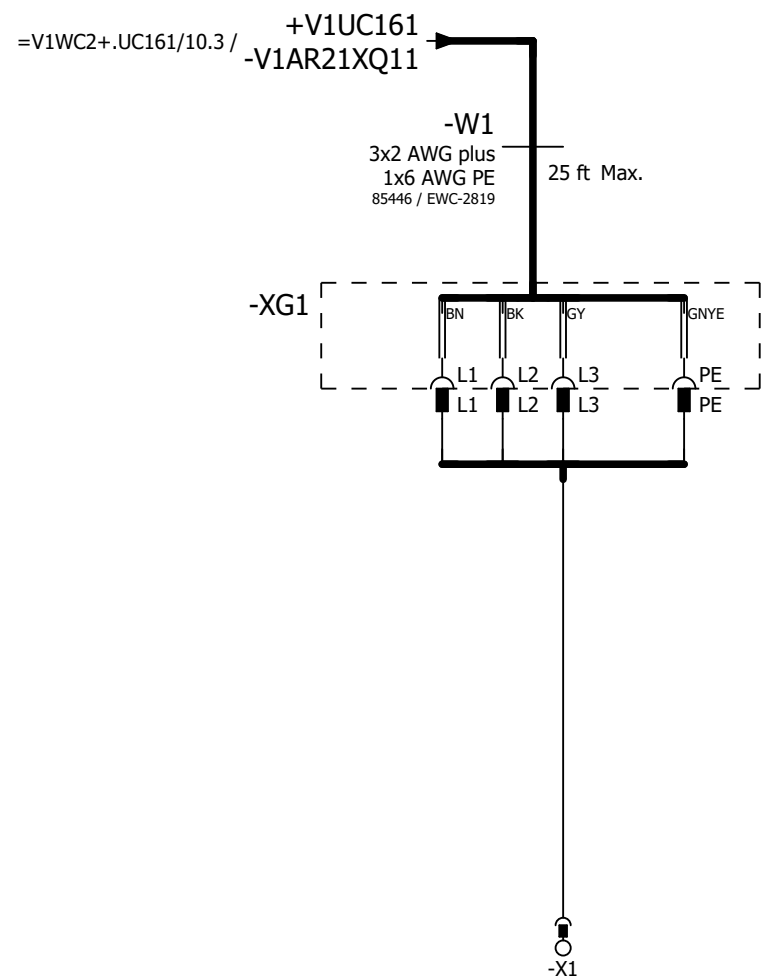
		Date	1/17/2023	Volvo Trucks North America		Valiant TMS	Incoming Profinet	Drawing name: =2V07&EFS-EL		= V1AR21KF1
		Ed.	MKLEPADLO	P6700 Roof Inr & Dr Ring LH - Cell 2V07					+ V1AR21UC01	
Modification	Date	Name	Original	Replacement of	Replaced by	Scale 1:1		Document type: EFS	Project nr: 22-16144	Page 1
										509



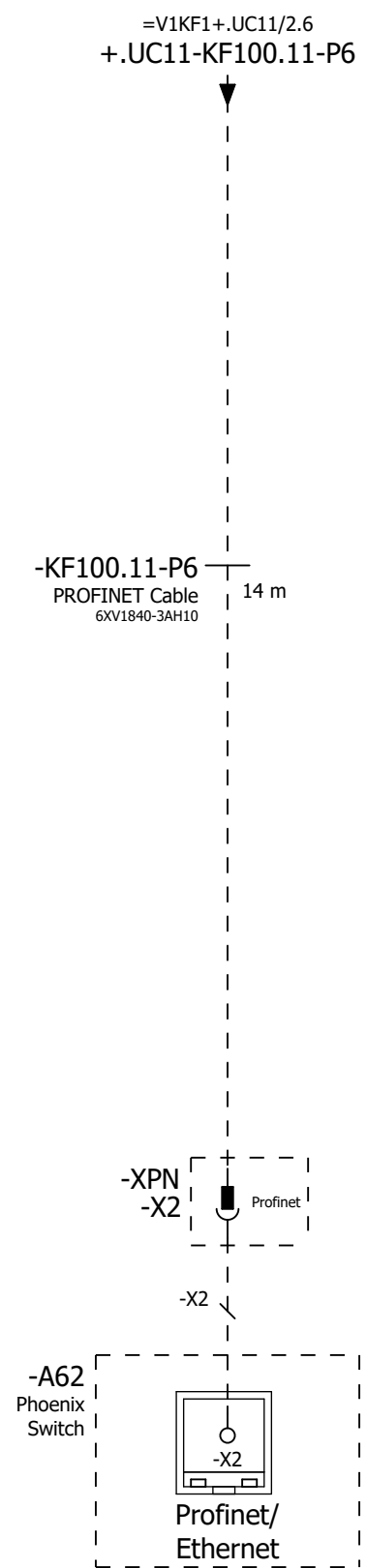
=V1AR21KF1/1

=V1AR21XQ11WC1+.AR21XQ11UC01/1

		Date	1/17/2023	Volvo Trucks North America	 Valiant TMS Incoming power	Drawing name: =2V07&EFS-EL		= V1AR21WC1	
		Ed.	MKLEPADLO	P6700 Roof Inr & Dr Ring LH - Cell 2V07		Document type: EFS		+ V1AR21UC01	
Modification	Date	Name	Original	Replacement of	Replaced by	Scale 1:1	Project nr: 22-16144	Page	1
								509	




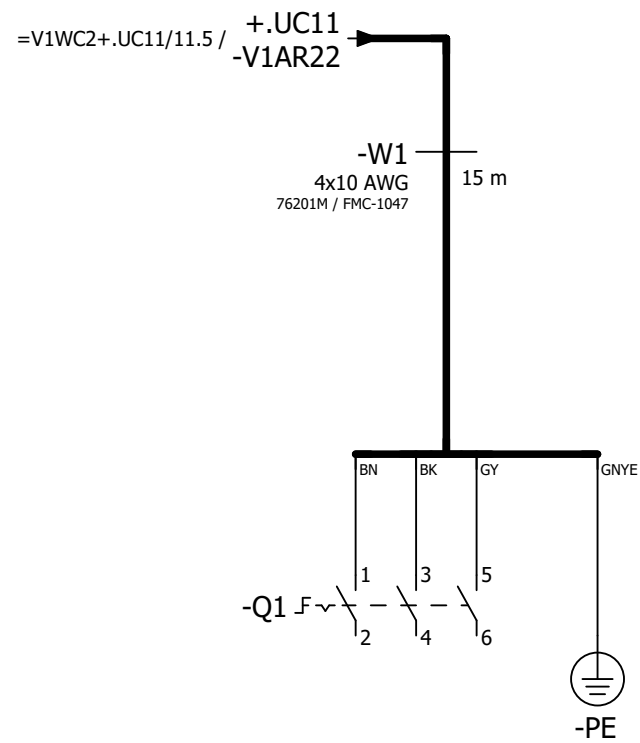
		Date	1/17/2023	Volvo Trucks North America	Valiant TMS	Incoming power	Drawing name:		= V1AR21XQ11WC1
		Ed.	MKLEPADLO	P6700 Roof Inr & Dr Ring LH - Cell 2V07			=2V07&EFS-EL		+ V1AR21XQ11UC01
		Appr			Replacement of	Replaced by	Scale 1:1	Document type:	Project nr:
Modification	Date	Name	Original						
									509



=V1AR21XQ11WC1+.AR21XQ11UC01/1

=V1AR22WC1/1

		Date	1/17/2023	Volvo Trucks North America		Valiant TMS	Incoming Profinet	Drawing name:	= V1AR22KF1	
		Ed.	MKLEPADLO	P6700 Roof Inr & Dr Ring LH - Cell 2V07					=2V07&EFS-EL	+ V1AR22UC01
Modification	Date	Name	Original	Replacement of	Replaced by	Scale 1:1		Document type:	Project nr:	Page
								EFS	22-16144	1
										509

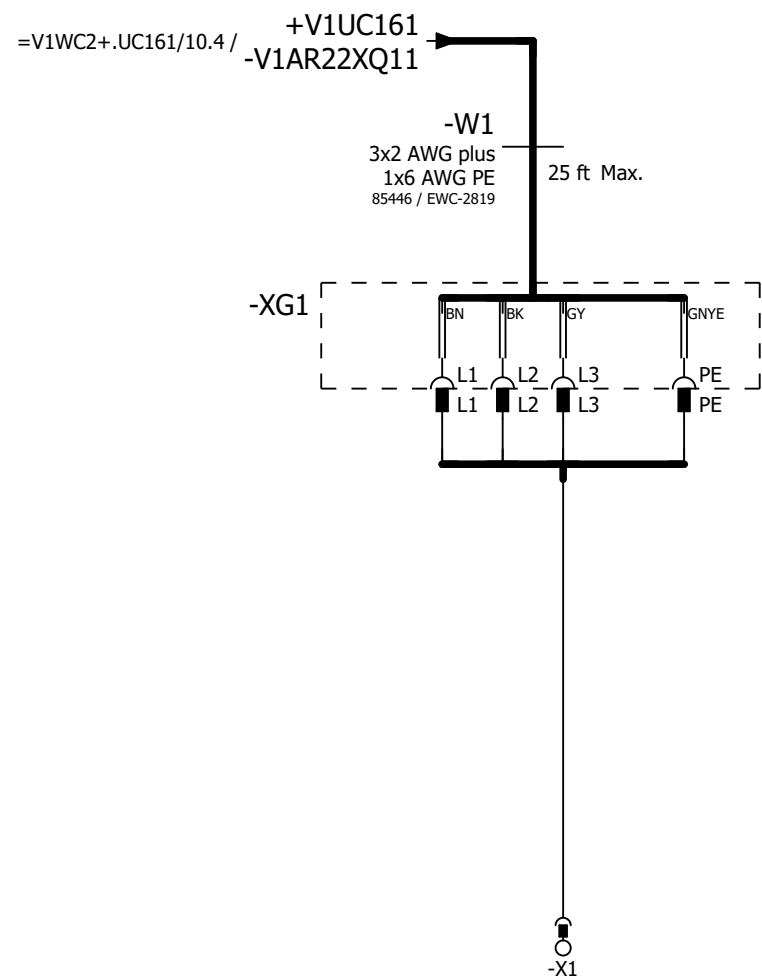


=V1AR22KF1/1

=V1AR22XQ11WC1+.AR22XQ11UC01/1


		Date	1/17/2023	Volvo Trucks North America	Valiant TMS	Incoming power	Drawing name:		= V1AR22WC1
		Ed.	MKLEPADLO				=2V07&EFS-EL		+ V1AR22UC01
		Appr		P6700 Roof Inr & Dr Ring LH - Cell 2V07	Scale 1:1		Document type:	Project nr:	Page
Modification	Date	Name	Original	Replacement of			Replaced by	EFS	22-16144
									509

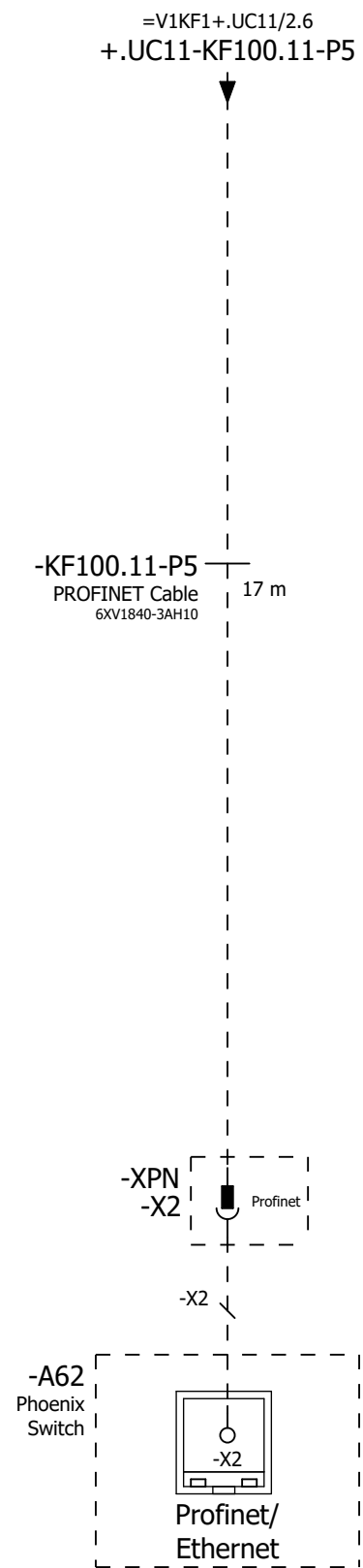




=V1AR22WC1+.AR22UC01/1

=V1AR41KF1+.AR41UC01/1

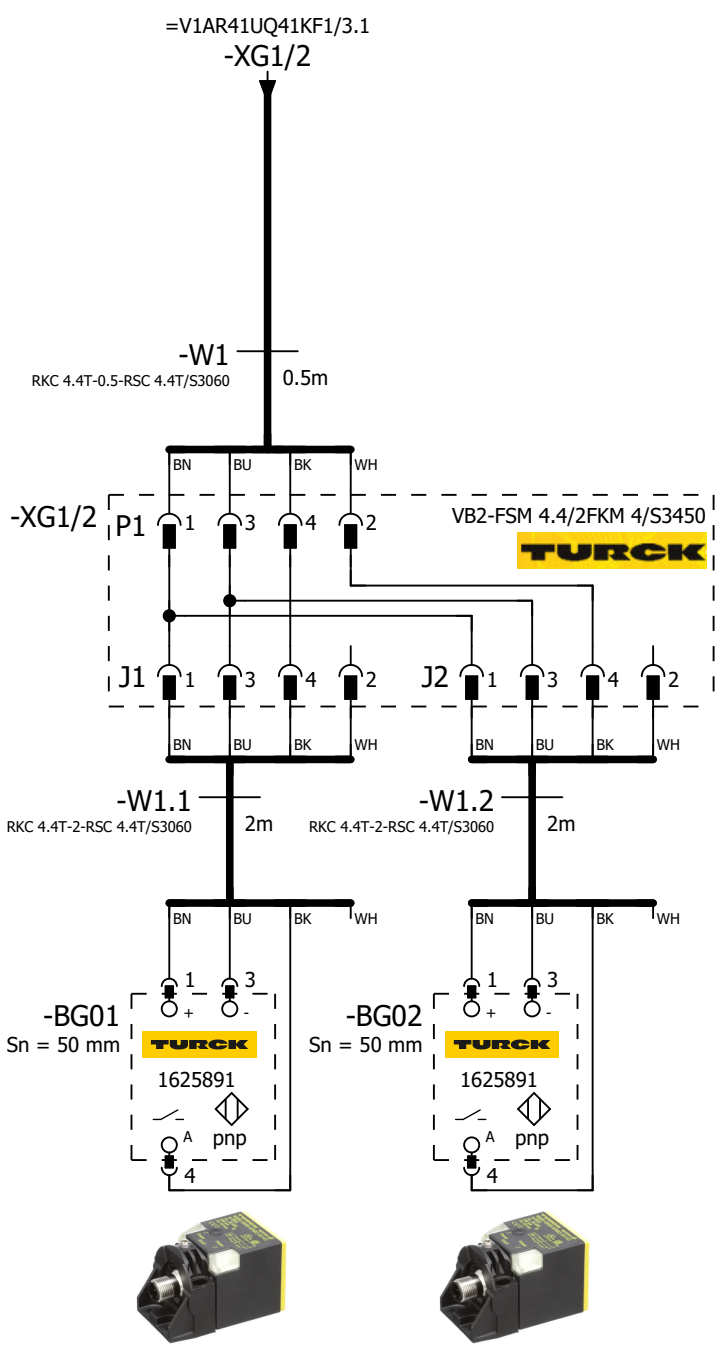
			Date	1/17/2023	Volvo Trucks North America		Valiant TMS	Incoming power	Drawing name:		= V1AR22XQ11WC1
			Ed.	MKLEPADLO	P6700 Roof Inr & Dr Ring LH - Cell 2V07				=2V07&EFS-EL		+ V1AR22XQ11UC01
			Appr		Replacement of	Replaced by	Scale 1:1	Document type:	Project nr:	Page	1
Modification	Date	Name	Original					EFS	22-16144		509



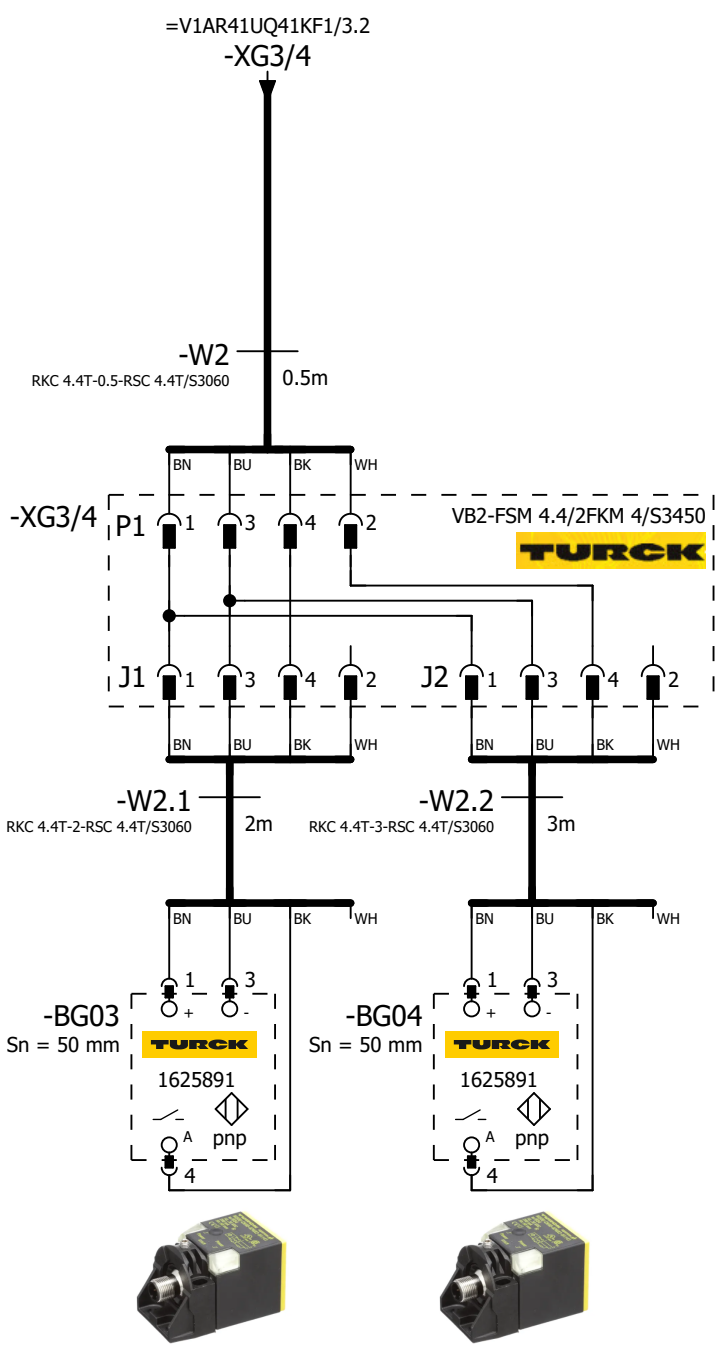
=V1AR22XQ11WC1+.AR22XQ11UC01/1

=V1AR41UQ41BG0+.AR41UQ41/1

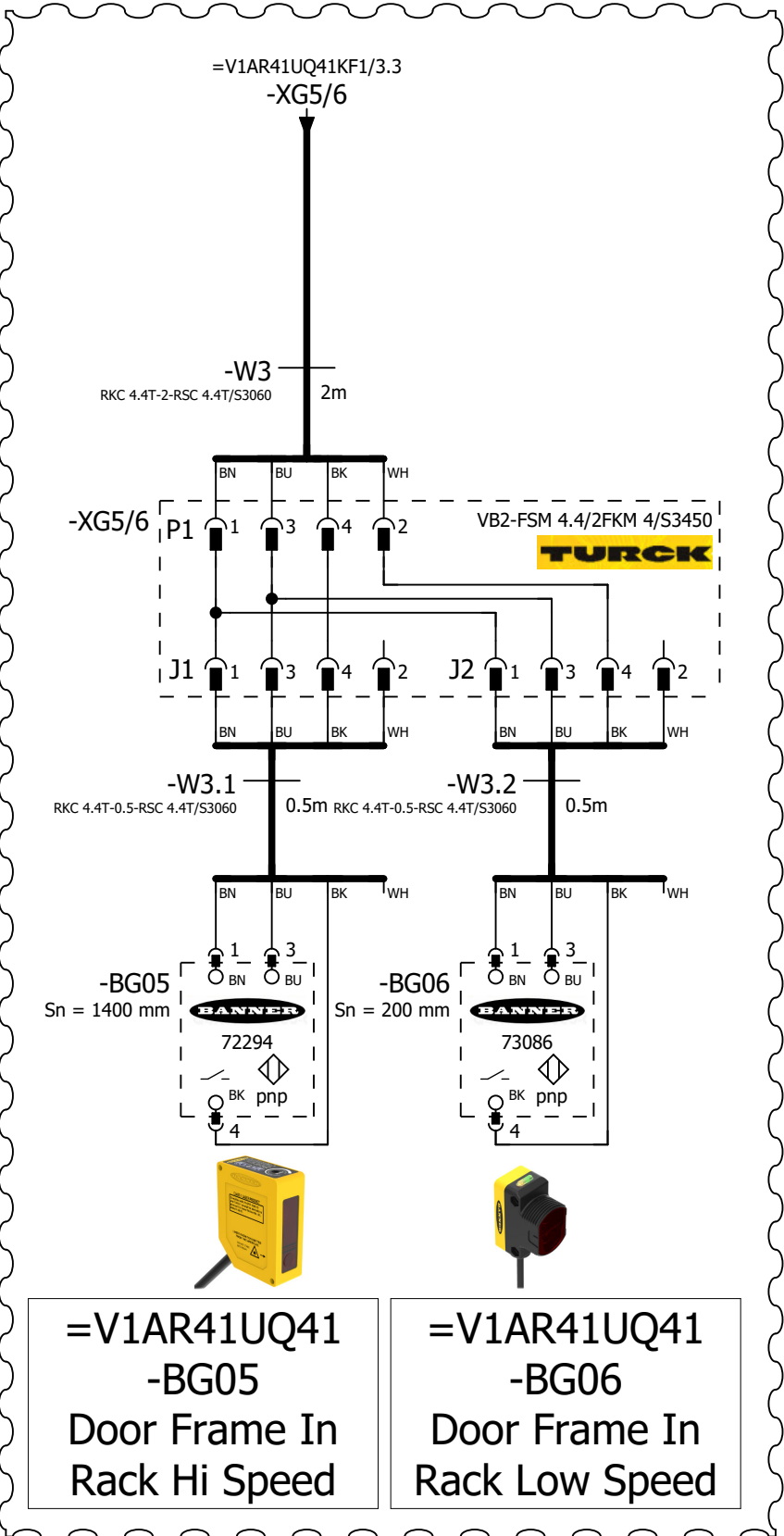
		Date	1/17/2023	Volvo Trucks North America	Valiant TMS	Incoming Profinet	Drawing name:		= V1AR41KF1
		Ed.	MKLEPADLO	P6700 Roof Inr & Dr Ring LH - Cell 2V07			=2V07&EFS-EL		+ V1AR41UC01
		Appr			Replacement of	Replaced by	Scale 1:1	Document type:	Project nr:
Modification	Date	Name	Original	EFS				22-16144	1



=V1AR41UQ41 -BG01 Door Frame ASSY LH
 =V1AR41UQ41 -BG02 Door Frame ASSY LH



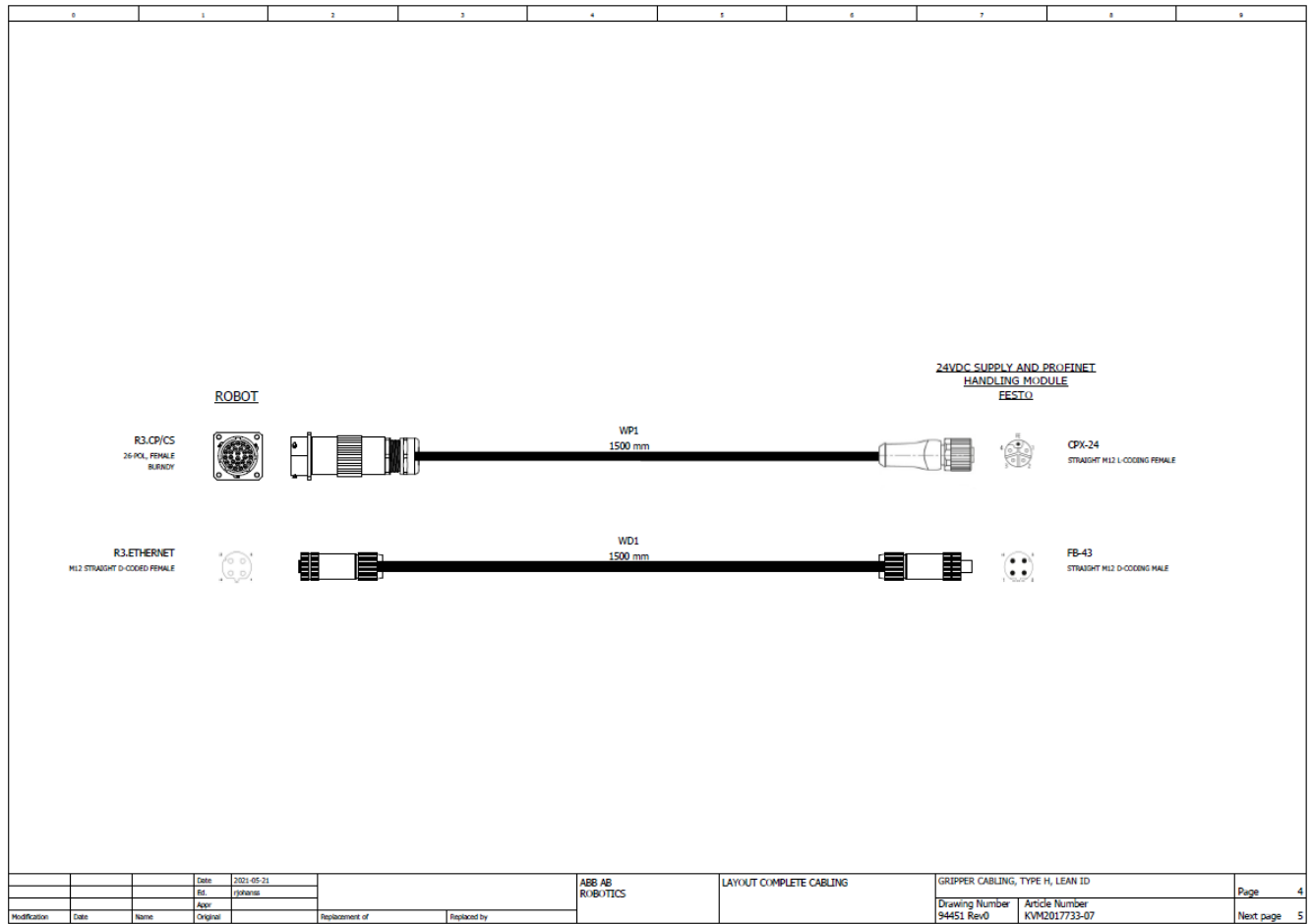
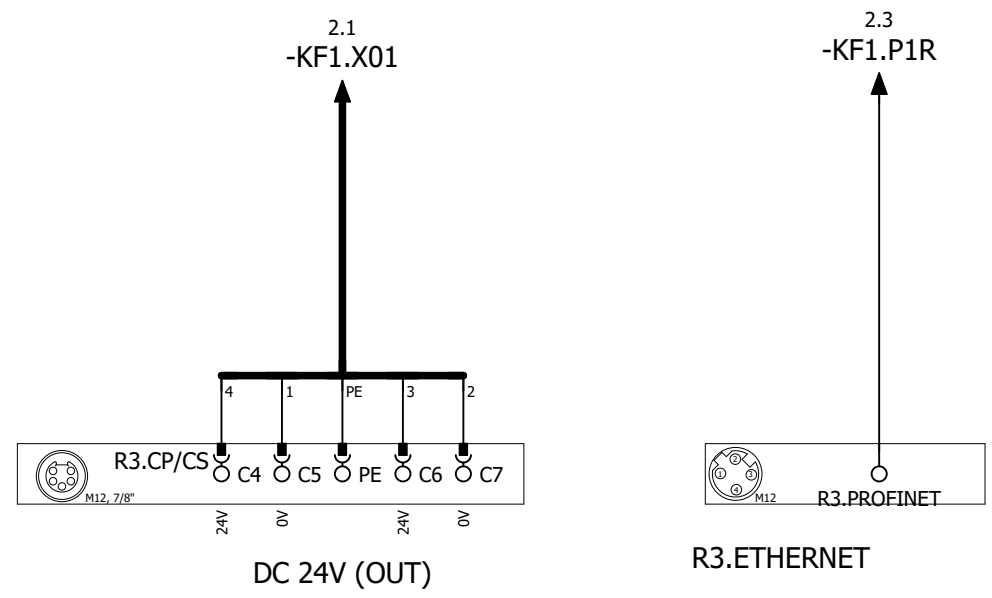
=V1AR41UQ41 -BG03 Roof ASSY
 =V1AR41UQ41 -BG04 Roof ASSY



=V1AR41UQ41 -BG05 Door Frame In Rack Hi Speed
 =V1AR41UQ41 -BG06 Door Frame In Rack Low Speed

=V1AR41KF1+.AR41UC01/1

=V1AR41UQ41KF1/1



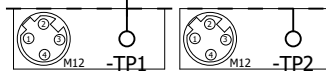
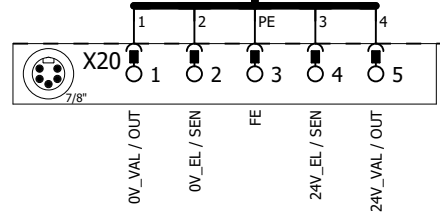
=V1AR41UQ41BG0/1				Date	1/17/2023	Volvo Trucks North America	Valiant TMS	24VDC SUPPLY AND PROFINET HANDLING MODULE	Drawing name:	= V1AR41UQ41KF1	Page	4
				Ed.	MKLEPADLO				=2V07&EFS-EL	+ V1AR41UQ41		
				Appr.		P6700 Roof Inr & Dr Ring LH - Cell 2V07			Document type:	Project nr:		Page
Modification	Date	Name	Original	Replacement of	Replaced by	Scale 1:1			EFS	22-16144		1
											Next page	509

1.3 / -KF1.X01

1.5 / -KF1.P1R

-W1
RSM RKM 56-2M/S3059
2m

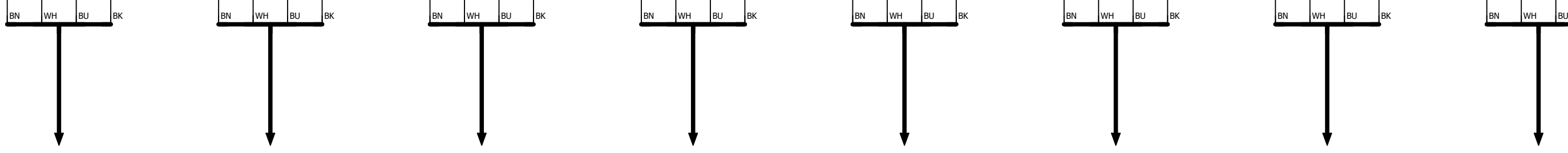
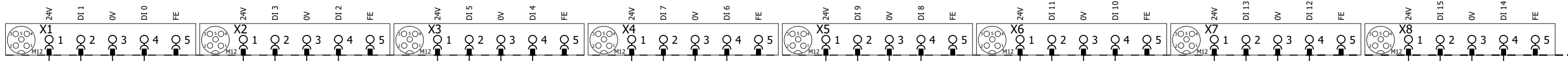
-WF1
PROFINET Cable
6XV1840-3AH10



DI:0	DI0-x1:4	V1AR41UQ41UQ1.1-BGR	Clamps 1 (RESET)
DI:1	DI1-x1:2	V1AR41UQ41UQ1.1-BGS	Clamps 1 (SET)
DI:2	DI2-x2:4	V1AR41UQ41UQ1.2-BGR	Clamps 1 (RESET)
DI:3	DI3-x2:2	V1AR41UQ41UQ1.2-BGS	Clamps 1 (SET)
DI:4	DI4-x3:4	V1AR41UQ41UQ1.3-BGR	Clamps 1 (RESET)
DI:5	DI5-x3:2	V1AR41UQ41UQ1.3-BGS	Clamps 1 (SET)
DI:6	DI6-x4:4	V1AR41UQ41UQ1.4-BGR	Clamps 1 (RESET)
DI:7	DI7-x4:2	V1AR41UQ41UQ1.4-BGS	Clamps 1 (SET)
DI:8	DI8-x5:4	V1AR41UQ41UQ2.1-BGR	Clamps 2 (RESET)
DI:9	DI9-x5:2	V1AR41UQ41UQ2.1-BGS	Clamps 2 (SET)
DI:10	DI10-x6:4	V1AR41UQ41UQ2.2-BGR	Clamps 2 (RESET)
DI:11	DI11-x6:2	V1AR41UQ41UQ2.2-BGS	Clamps 2 (SET)
DI:12	DI12-x7:4	V1AR41UQ41UQ2.3-BGR	Clamps 2 (RESET)
DI:13	DI13-x7:2	V1AR41UQ41UQ2.3-BGS	Clamps 2 (SET)
DI:14	DI14-x8:4	V1AR41UQ41UQ2.4-BGR	Clamps 2 (RESET)
DI:15	DI15-x8:2	V1AR41UQ41UQ2.4-BGS	Clamps 2 (SET)

FESTO
Bus node + Interlinking block
548755 + 550208

FESTO
CPX-M-AB-8-M12X2-5POL
549335



+ .AR41UQ41UQ1.1-W1
=V1AR41UQ41UQ1+.AR41UQ41UQ1/1.1

+ .AR41UQ41UQ1.2-W1
=V1AR41UQ41UQ1+.AR41UQ41UQ1/1.2

+ .AR41UQ41UQ1.3-W1
=V1AR41UQ41UQ1+.AR41UQ41UQ1/1.4

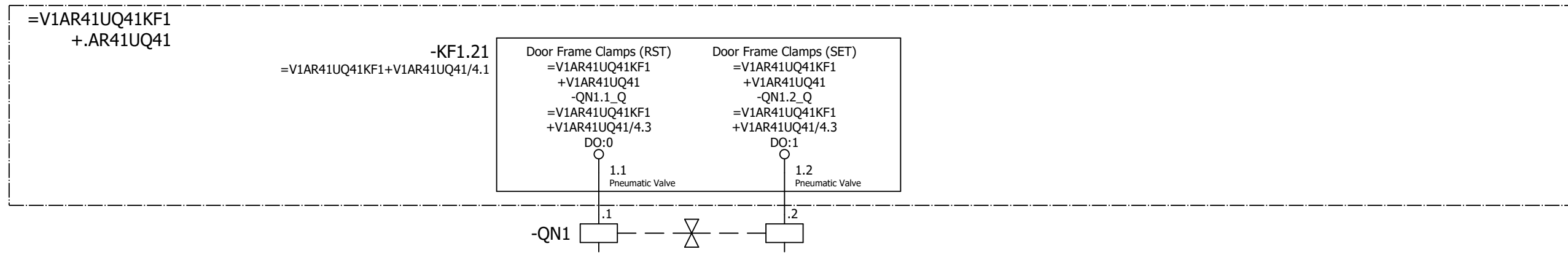
+ .AR41UQ41UQ1.4-W1
=V1AR41UQ41UQ1+.AR41UQ41UQ1/1.5

+ .AR41UQ41UQ2.1-W1
=V1AR41UQ41UQ2+.AR41UQ41UQ2/1.1

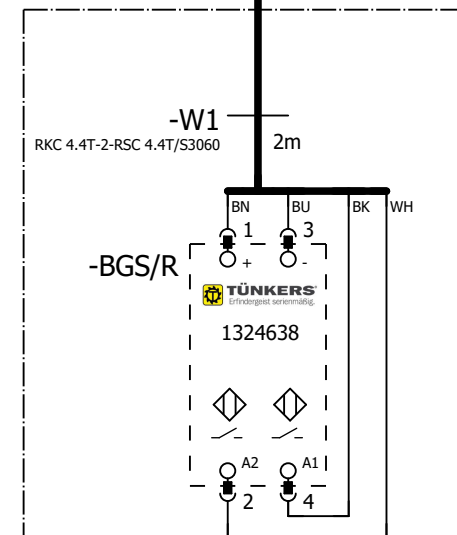
+ .AR41UQ41UQ2.2-W1
=V1AR41UQ41UQ2+.AR41UQ41UQ2/1.2

+ .AR41UQ41UQ2.3-W1
=V1AR41UQ41UQ2+.AR41UQ41UQ2/1.4

+ .AR41UQ41UQ2.4-W1
=V1AR41UQ41UQ2+.AR41UQ41UQ2/1.5



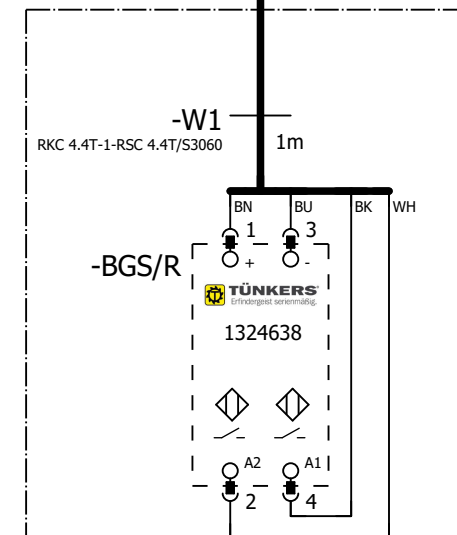
=V1AR41UQ41KF1+V1AR41UQ41/2.1
+.AR41UQ41UQ1.1-W1



Door Frame Clamp
=V1AR41UQ41UQ1.1
+.AR41UQ41UQ1.1
-UQ1.1

=V1AR41UQ41
-UQ1.1-BGS/R
Door Frame
Clamp

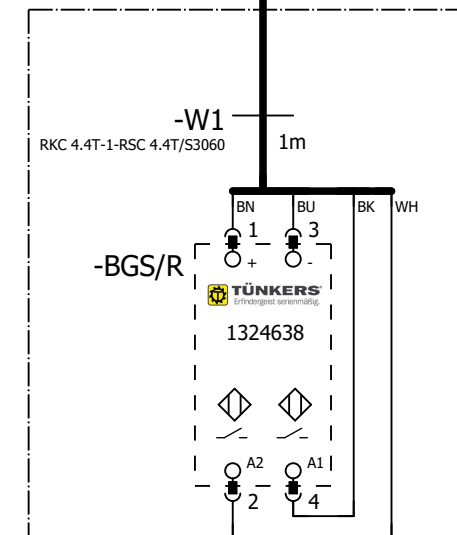
=V1AR41UQ41KF1+V1AR41UQ41/2.2
+.AR41UQ41UQ1.2-W1



Door Frame Clamp
=V1AR41UQ41UQ1.2
+.AR41UQ41UQ1.2
-UQ1.2

=V1AR41UQ41
-UQ1.2-BGS/R
Door Frame
Clamp

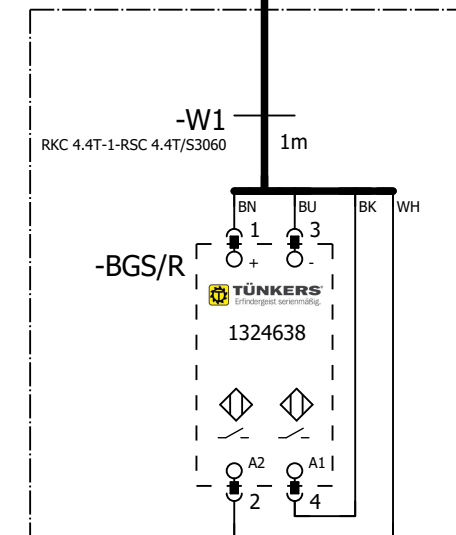
=V1AR41UQ41KF1+V1AR41UQ41/2.3
+.AR41UQ41UQ1.3-W1



Door Frame Clamp
=V1AR41UQ41UQ1.3
+.AR41UQ41UQ1.3
-UQ1.3

=V1AR41UQ41
-UQ1.3-BGS/R
Door Frame
Clamp

=V1AR41UQ41KF1+V1AR41UQ41/2.4
+.AR41UQ41UQ1.4-W1

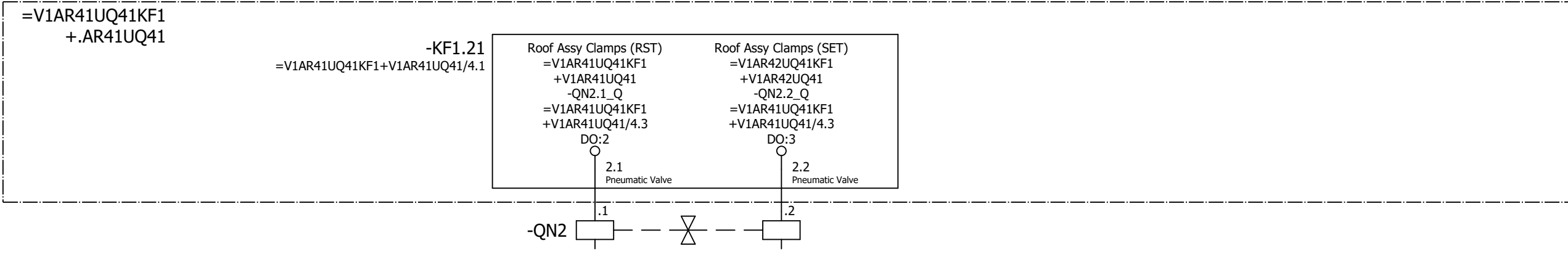


Door Frame Clamp
=V1AR41UQ41UQ1.4
+.AR41UQ41UQ1.4
-UQ1.4

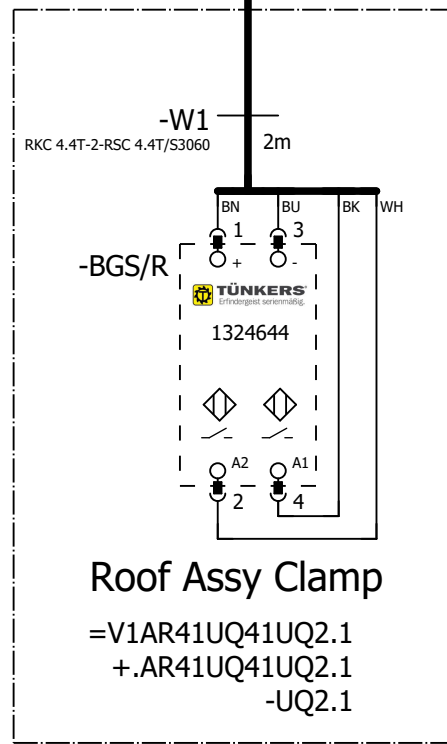
=V1AR41UQ41
-UQ1.4-BGS/R
Door Frame
Clamp

=V1AR41UQ41KF1+V1AR41UQ41/4

=V1AR41UQ41UQ2+.AR41UQ41UQ2/1

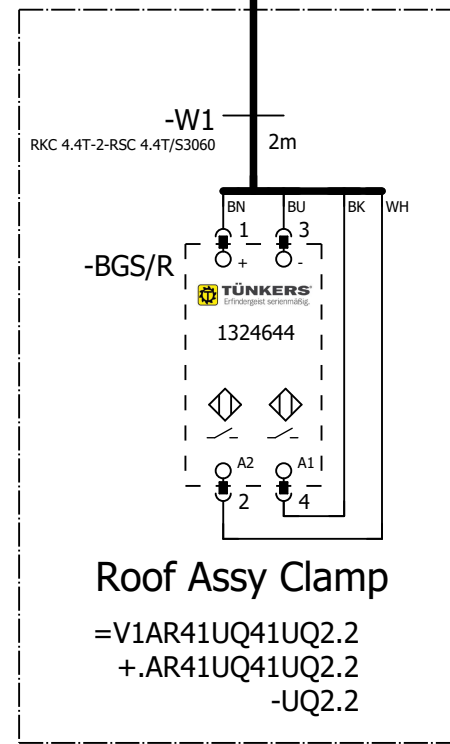


**=V1AR41UQ41KF1+V1AR41UQ41/2.5
+.AR41UQ41UQ2.1-W1**



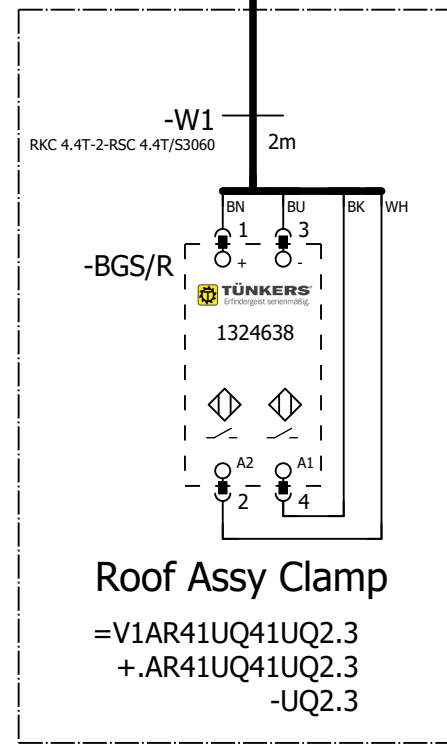
**=V1AR41UQ41
-UQ2.1-BGS/R
Roof Assy Clamp**

**=V1AR41UQ41KF1+V1AR41UQ41/2.6
+.AR41UQ41UQ2.2-W1**



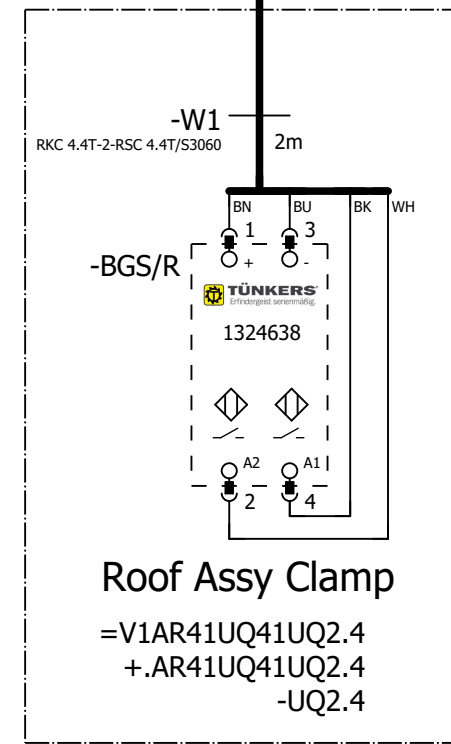
**=V1AR41UQ41
-UQ2.2-BGS/R
Roof Assy Clamp**

**=V1AR41UQ41KF1+V1AR41UQ41/2.8
+.AR41UQ41UQ2.3-W1**



**=V1AR41UQ41
-UQ2.3-BGS/R
Roof Assy Clamp**

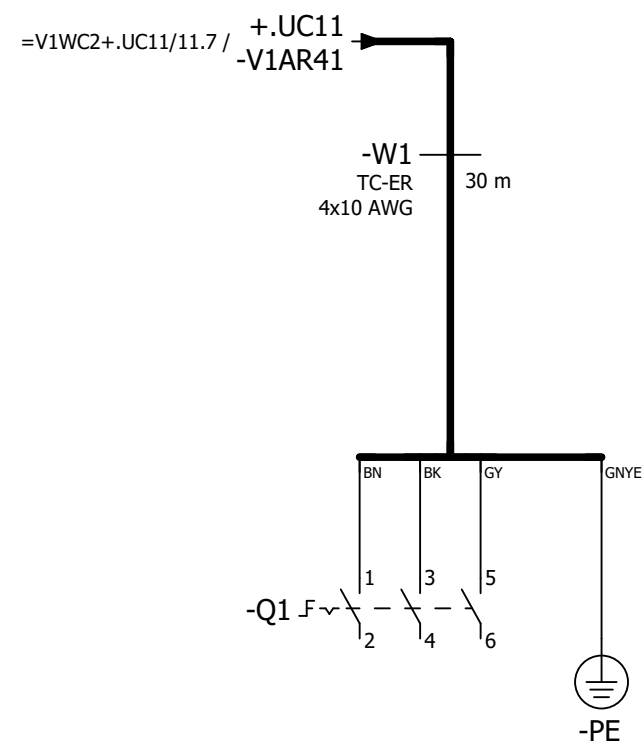
**=V1AR41UQ41KF1+V1AR41UQ41/2.9
+.AR41UQ41UQ2.4-W1**



**=V1AR41UQ41
-UQ2.4-BGS/R
Roof Assy Clamp**


=V1AR41UQ41UQ1+.AR41UQ41UQ1/1

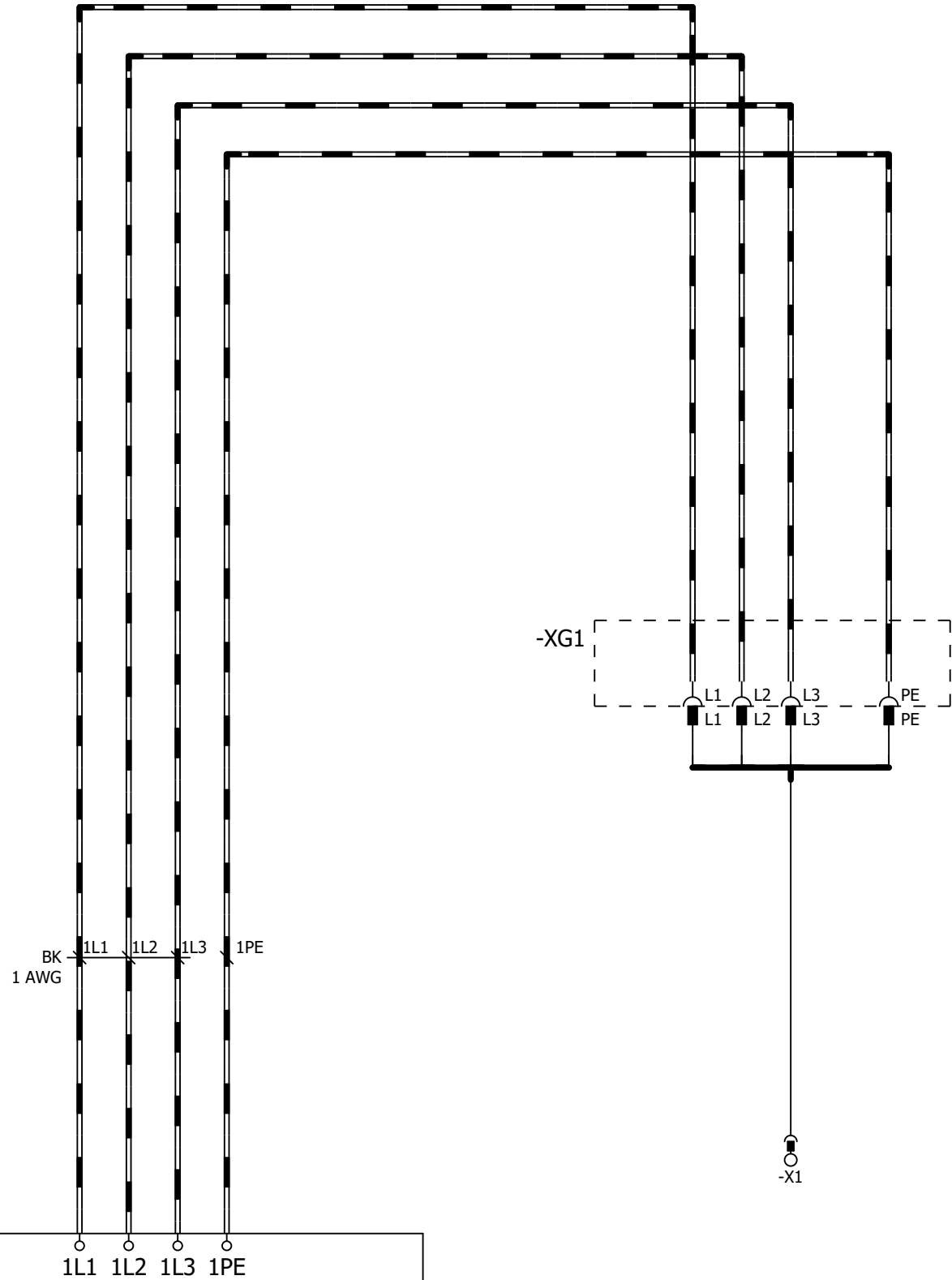
=V1AR41WC1+.AR41UC01/1



=V1AR41UQ41UQ2+.AR41UQ41UQ2/1

=V1AR41XQ11WC1+.AR41XQ11UC01/1

			Date	1/17/2023	Volvo Trucks North America		Valiant TMS	Incoming power	Drawing name:	= V1AR41WC1		
			Ed.	MKLEPADLO	P6700 Roof Inr & Dr Ring LH - Cell 2V07				=2V07&EFS-EL	+ V1AR41UC01		
			Appr		Replacement of	Replaced by	Scale 1:1		Document type:	Project nr:	Page	1
Modification	Date	Name	Original						EFS	22-16144		509



1L1 1L2 1L3 1PE

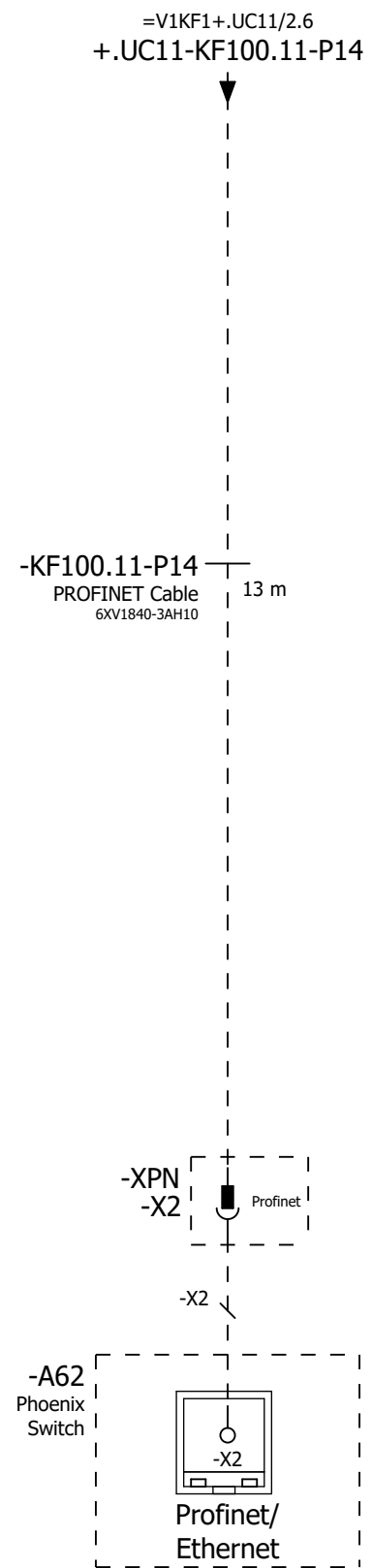
480VAC TN-S 3 PHASE 60Hz
 Fed from:
 short circuit protection:
 Over current:
 cable type: 1 AWG

IkMax =kA
 IkMin =kA
 Z: mΩ.

=V1AR41WC1+.AR41UC01/1

=V1AR191KF1+.AR191UC01/1

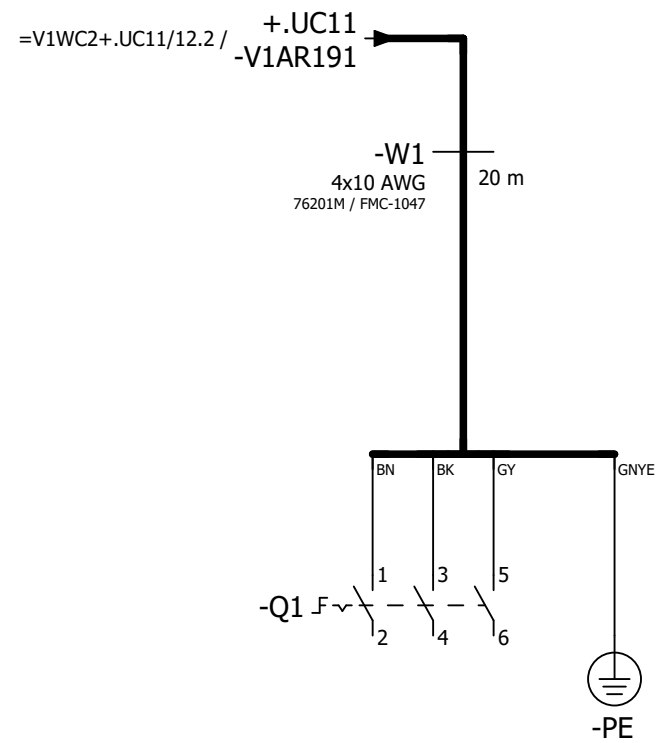
			Date	1/17/2023	Volvo Trucks North America	Valiant TMS	Incoming power	Drawing name:		= V1AR41XQ11WC1
			Ed.	MKLEPADLO	P6700 Roof Inr & Dr Ring LH - Cell 2V07			=2V07&EFS-EL		+ V1AR41XQ11UC01
			Appr			Replacement of	Replaced by	Document type:	Project nr:	Page
Modification	Date	Name	Original		Scale 1:1			EFS	22-16144	509



=V1AR41XQ11WC1+.AR41XQ11UC01/1


=V1AR191WC1/1

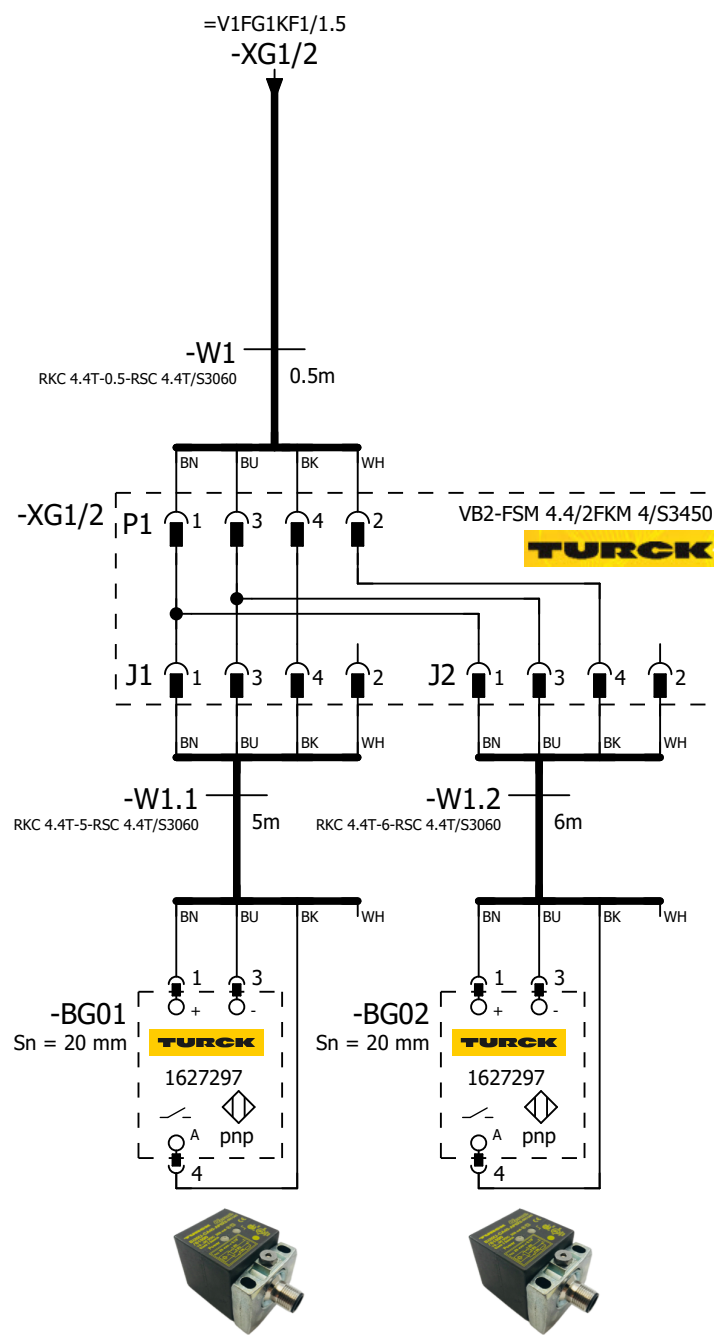
		Date	1/17/2023	Volvo Trucks North America	Valiant TMS	Incoming Profinet	Drawing name:		= V1AR191KF1
		Ed.	MKLEPADLO	P6700 Roof Inr & Dr Ring LH - Cell 2V07			=2V07&EFS-EL		+ V1AR191UC01
		Appr			Replacement of	Replaced by	Scale 1:1	Document type:	Project nr:
Modification	Date	Name	Original	EFS				22-16144	1
							509		



=V1AR191KF1/1

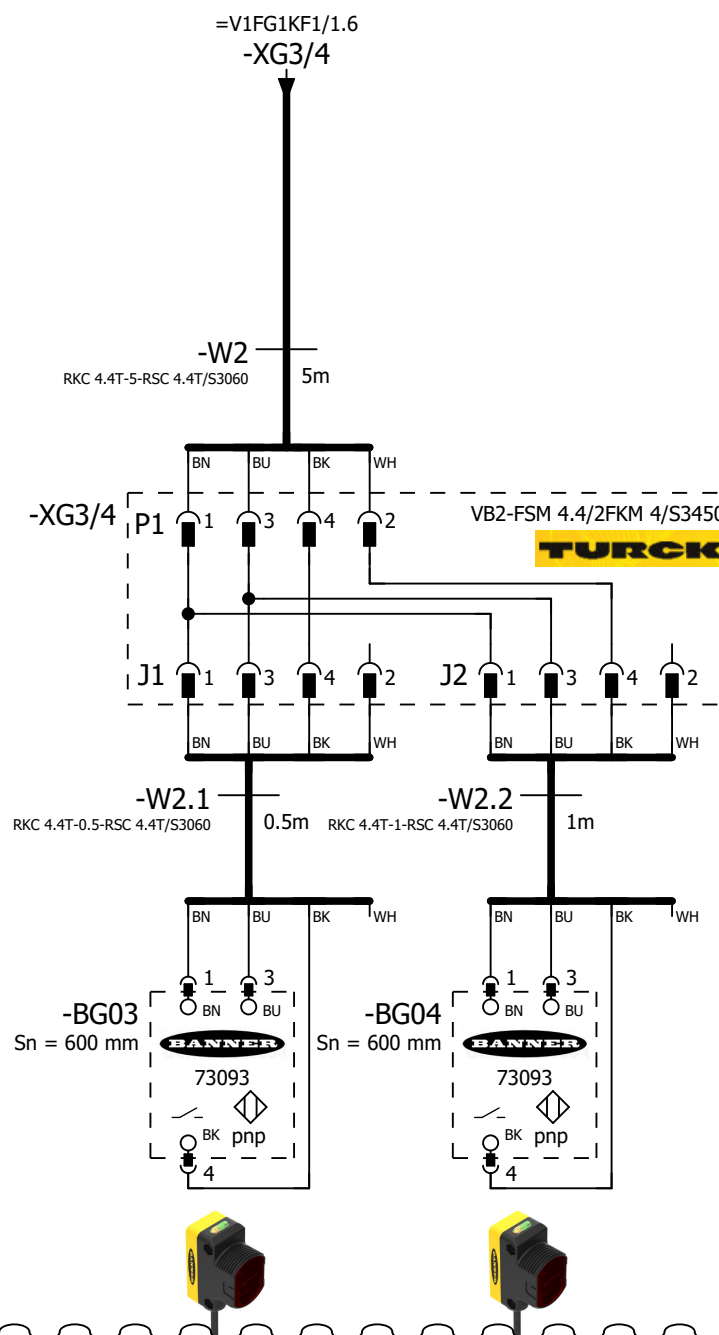
=V1BX11WC3+.BX11UC01/1

		Date	1/17/2023	Volvo Trucks North America	 Valiant TMS Incoming power	Drawing name:		= V1AR191WC1	
		Ed.	MKLEPADLO	P6700 Roof Inr & Dr Ring LH - Cell 2V07		=2V07&EFS-EL		+ V1AR191UC01	
		Appr		Replacement of	Replaced by	Scale 1:1	Document type:	Project nr:	
Modification	Date	Name	Original				EFS	22-16144	
								Page	1
									509



=V1FG1
-BG01
Tugger Cart In
Position

=V1FG1
-BG02
Tugger Cart In
Position



=V1FG1
-BG03
Bottom Part
Present In Cart

=V1FG1
-BG04
Top Part
Present In Cart

=V1BX11WC3+.BX11UC01/1

=V1FG1KF1/1

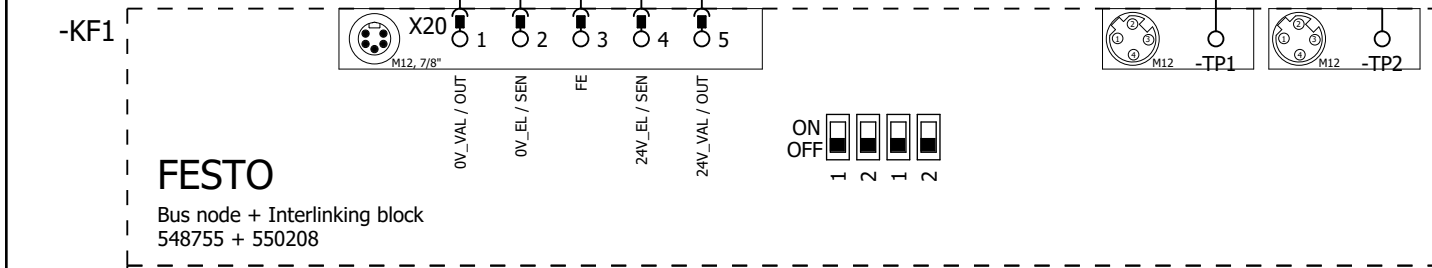
			Date	1/17/2023	Volvo Trucks North America	Valiant TMS	SENSORS	Drawing name:		= V1FG1BG0
			Ed.	MKLEPADLO				=2V07&EFS-EL		+ V1FG1
			Appr		P6700 Roof Inr & Dr Ring LH - Cell 2V07	Scale 1:1	Document type:	Project nr:	Page	1
Modification	Date	Name	Original				Replacement of	Replaced by	EFS	22-16144

=V1WC4+.UC14/21.5 / W1

=V1KF1+.UC14/2.6 / +.UC14-KF100.14-P7

-W1
RSM RKM 56-20M/S3059
20m

-KF100.14-P7
PROFINET Cable
6XV1840-3AH10
20 m

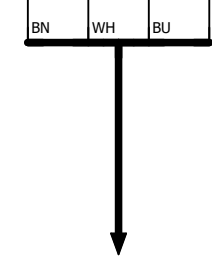
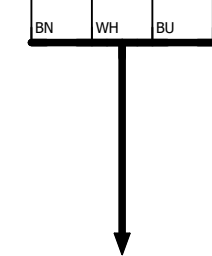
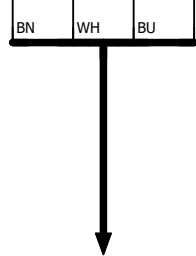
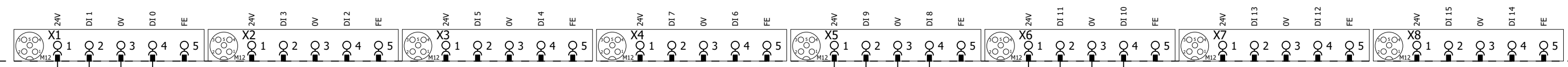


FESTO
Bus node + Interlinking block
548755 + 550208

-KF1.11
FESTO
CPX-M-AB-8-M12X2-5POL
549335



I2150.0	DI 0	x1:4	V1FG1UQ1.1-BGR	Locking Slide (RESET)
I2150.1	DI 1	x1:2	V1FG1UQ1.1-BGS	Locking Slide (SET)
I2150.2	DI 2	x2:4	I2150.2	Spare
I2150.3	DI 3	x2:2	I2150.3	Spare
I2150.4	DI 4	x3:4	I2150.4	Spare
I2150.5	DI 5	x3:2	I2150.5	Spare
I2150.6	DI 6	x4:4	I2150.6	Spare
I2150.7	DI 7	x4:2	I2150.7	Spare
I2151.0	DI 8	x5:4	V1FG1-BG01	Sensor Tugger Cart In Position
I2151.1	DI 9	x5:2	V1FG1-BG02	Sensor Tugger Cart In Position
I2151.2	DI 10	x6:4	V1FG1-BG03	Sensor Bottom Part Present In Cart
I2151.3	DI 11	x6:2	V1FG1-BG04	Sensor Top Part Present In Cart
I2151.4	DI 12	x7:4	I2151.4	Spare
I2151.5	DI 13	x7:2	I2151.5	Spare
I2151.6	DI 14	x8:4	I2151.6	Spare
I2151.7	DI 15	x8:2	I2151.7	Spare

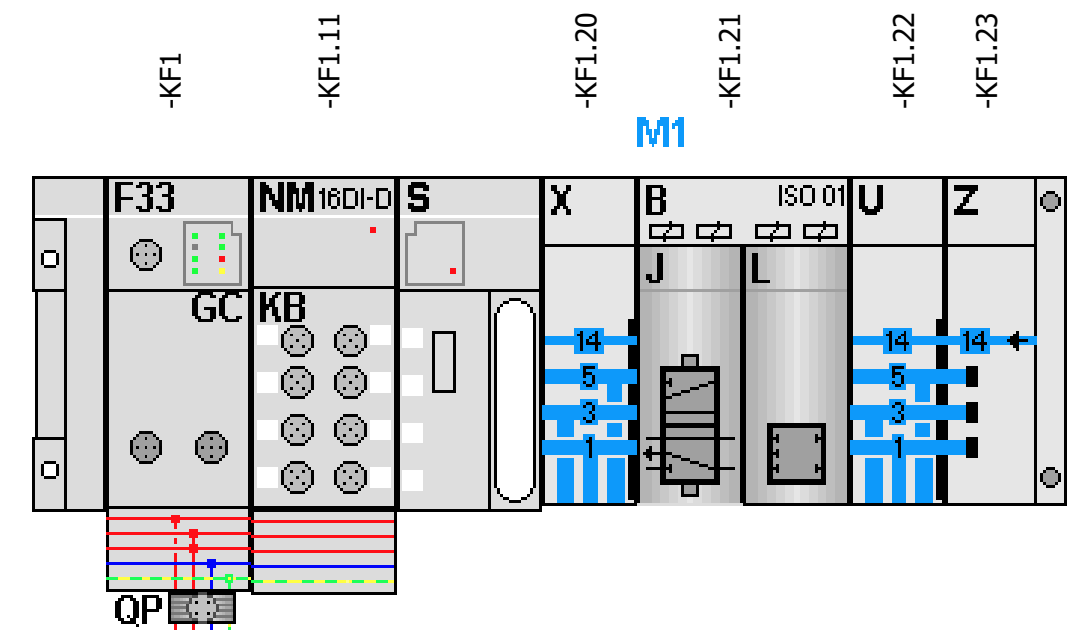


+ .FG1UQ1.1-W1
=V1FG1UQ1+.FG1UQ1/1.1

-XG1/2
=V1FG1BG0/1.1

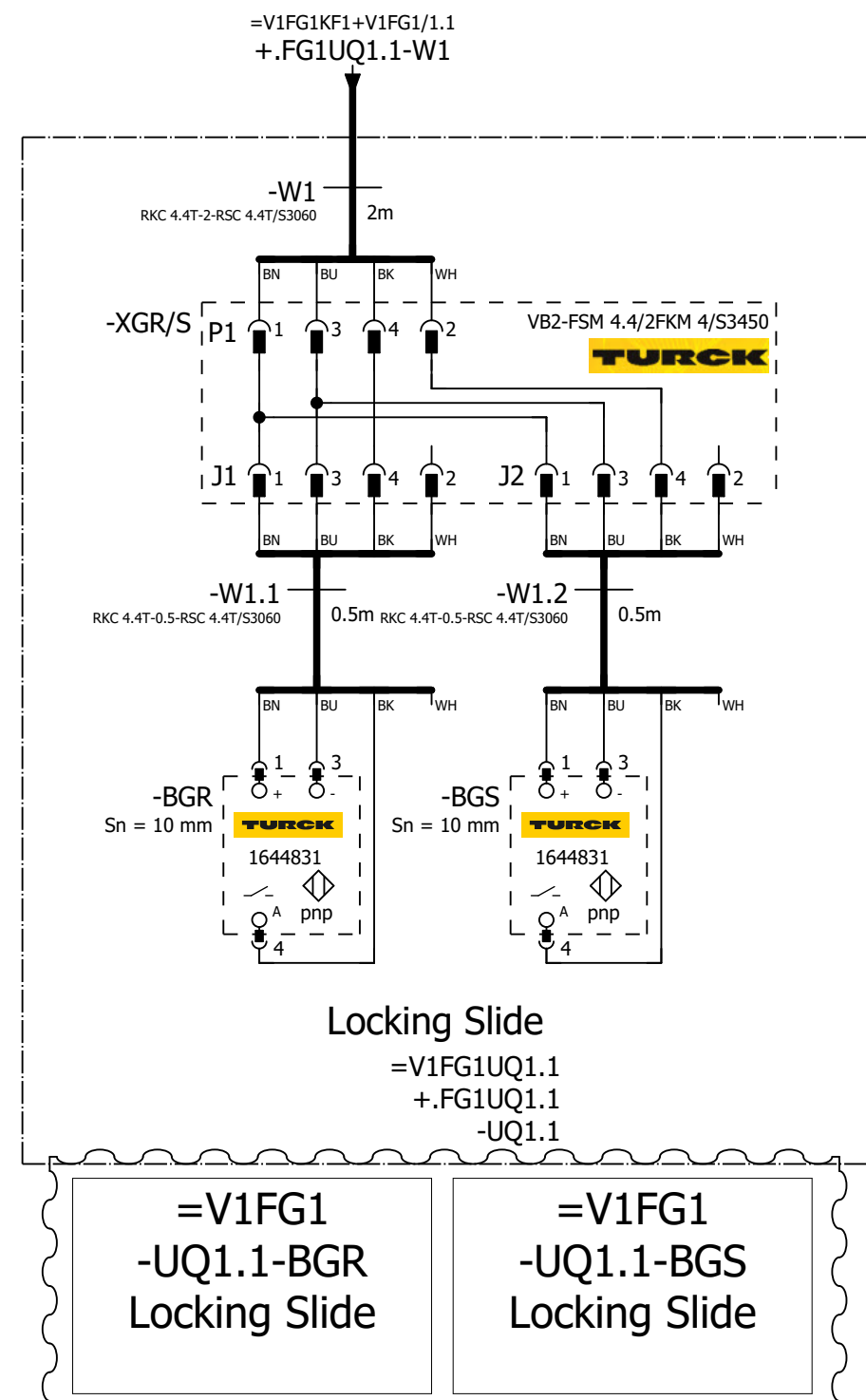
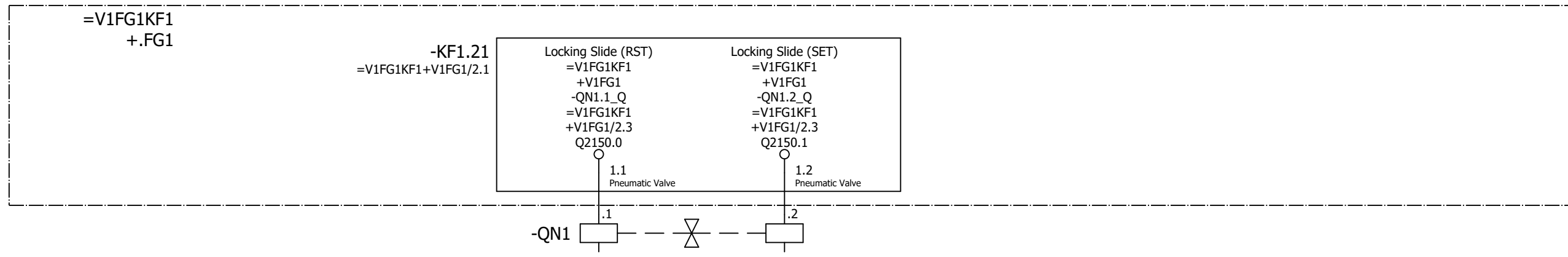
-XG3/4
=V1FG1BG0/1.4

=V1FG1BG0/1



-KF1.21
=V1FG1UQ1+.FG1UQ1/1.3

FESTO	=V1FG1UQ1+.FG1UQ1/1.4	Q2150.0 $\text{DO}_{0.1}$	-QN1.1_Q	Locking Slide (RST)
	=V1FG1UQ1+.FG1UQ1/1.4	Q2150.1 $\text{DO}_{1.2}$	-QN1.2_Q	Locking Slide (SET)
		Q2150.2 $\text{DO}_{2.1}$	-QN2.1_Q	Spare
		Q2150.3 $\text{DO}_{3.2}$	-QN2.2_Q	Spare



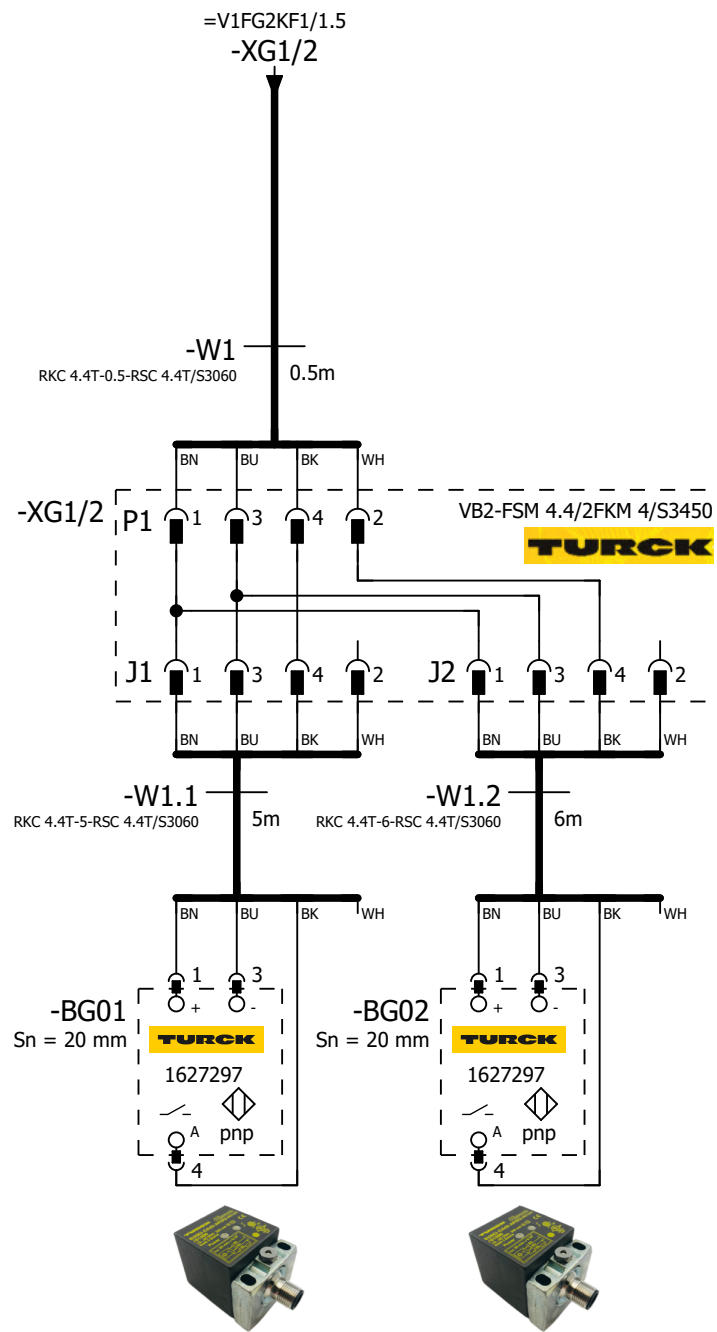
=V1FG1
-UQ1.1-BGR
Locking Slide

=V1FG1
-UQ1.1-BGS
Locking Slide

=V1FG1KF1+V1FG1/2

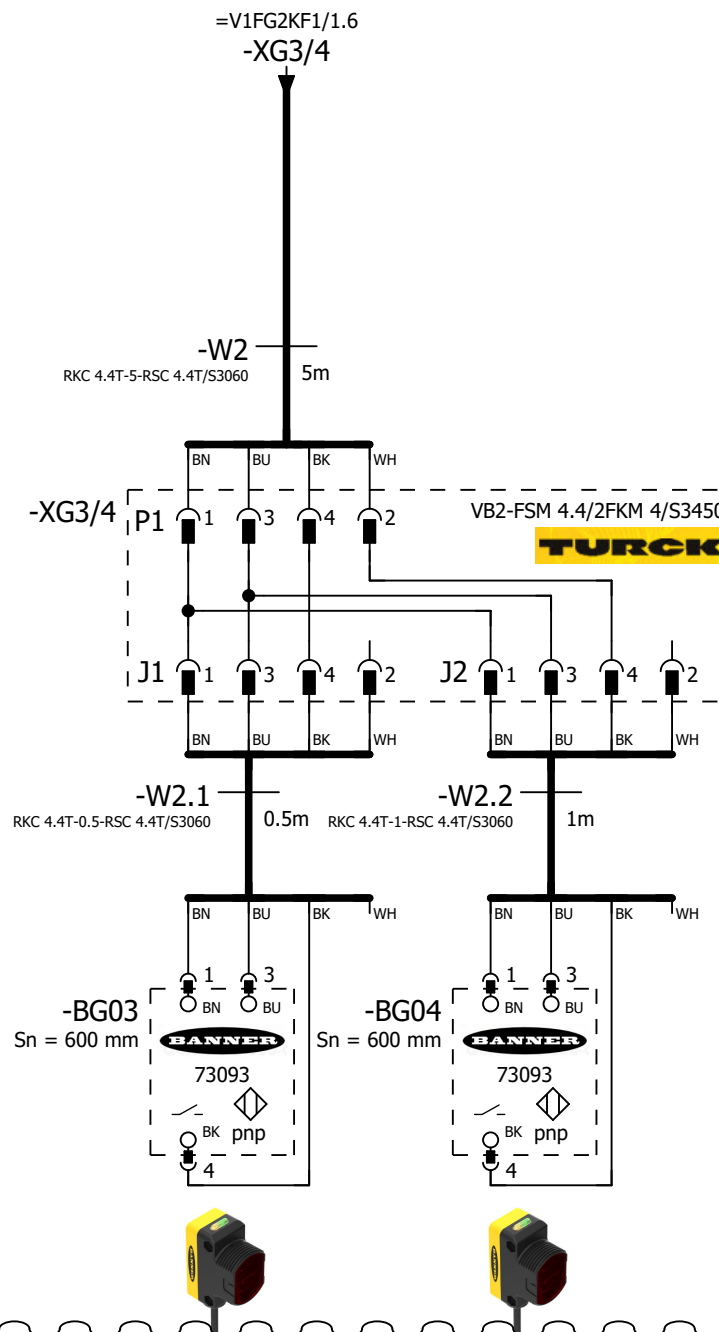
=V1FG2BG0+.FG2/1

			Date	1/17/2023	Volvo Trucks North America	Valiant TMS	FESTO DQ CONNECTION QN1	Drawing name:		= V1FG1UQ1
			Ed.	MKLEPADLO				=2V07&EFS-EL		+ V1FG1UQ1
			Appr		P6700 Roof Inr & Dr Ring LH - Cell 2V07	Scale 1:1	Document type:	Project nr:	Page	1
Modification	Date	Name	Original				Replacement of	Replaced by	EFS	22-16144



=V1FG2
-BG01
Tugger Cart In
Position

=V1FG2
-BG02
Tugger Cart In
Position



=V1FG2
-BG03
Bottom Part
Present In Cart

=V1FG2
-BG04
Top Part
Present In Cart

=V1FG1UQ1+.FG1UQ1/1

=V1FG2KF1/1

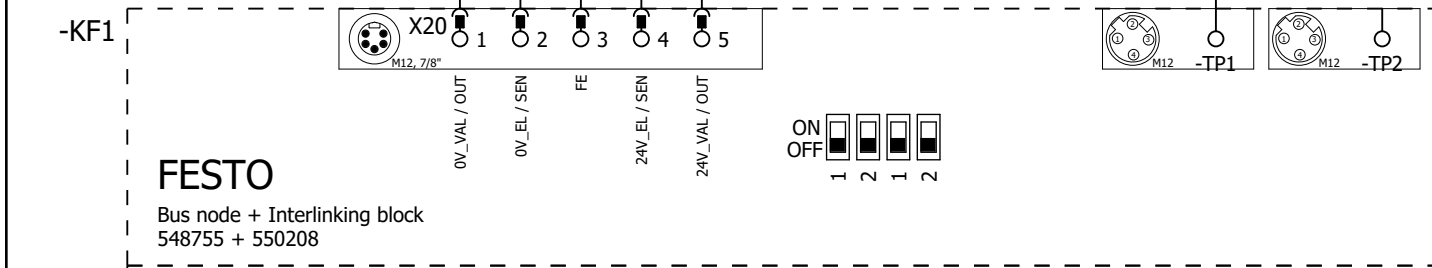
			Date	1/17/2023	Volvo Trucks North America	Valiant TMS	SENSORS	Drawing name:		= V1FG2BG0
			Ed.	MKLEPADLO				=2V07&EFS-EL		+ V1FG2
			Appr		P6700 Roof Inr & Dr Ring LH - Cell 2V07			Document type:	Project nr:	Page
Modification	Date	Name	Original		Replacement of	Replaced by	Scale 1:1	EFS	22-16144	1
										509

=V1WC4+.UC14/21.6 / W1

=V1KF1+.UC14/2.6 / +.UC14-KF100.14-P8

-W1
RSM RKM 56-20M/S3059
20m

-KF100.14-P8
PROFINET Cable
6XV1840-3AH10
20 m

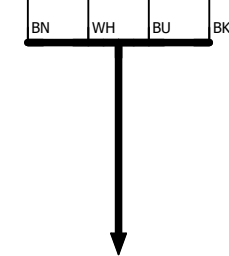
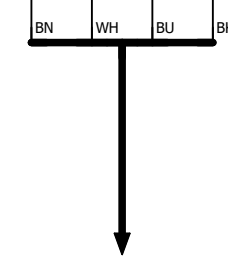
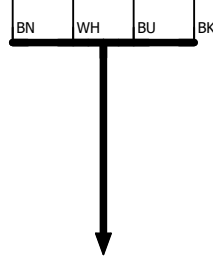
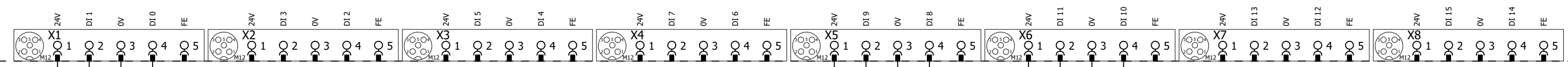


FESTO
Bus node + Interlinking block
548755 + 550208

-KF1.11
FESTO
CPX-M-AB-8-M12X2-5POL
549335



I2175.0	DI0	x1:4	V1FG2UQ1.1-BGR	Locking Slide (RESET)
I2175.1	DI1	x1:2	V1FG2UQ1.1-BGS	Locking Slide (SET)
I2175.2	DI2	x2:4	I2175.2	Spare
I2175.3	DI3	x2:2	I2175.3	Spare
I2175.4	DI4	x3:4	I2175.4	Spare
I2175.5	DI5	x3:2	I2175.5	Spare
I2175.6	DI6	x4:4	I2175.6	Spare
I2175.7	DI7	x4:2	I2175.7	Spare
I2176.0	DI8	x5:4	V1FG2-BG01	Sensor Tugger Cart In Position
I2176.1	DI9	x5:2	V1FG2-BG02	Sensor Tugger Cart In Position
I2176.2	DI10	x6:4	V1FG2-BG03	Sensor Bottom Part Present In Cart
I2176.3	DI11	x6:2	V1FG2-BG04	Sensor Top Part Present In Cart
I2176.4	DI12	x7:4	I2176.4	Spare
I2176.5	DI13	x7:2	I2176.5	Spare
I2176.6	DI14	x8:4	I2176.6	Spare
I2176.7	DI15	x8:2	I2176.7	Spare



+ .FG2UQ1.1-W1
=V1FG2UQ1+.FG2UQ1/1.1

-XG1/2
=V1FG2BG0/1.1

-XG3/4
=V1FG2BG0/1.4

=V1FG2BG0/1

=V1KF1+V1UC11

=V1WC4+.UC11/21.5
+.FQ1-BG1

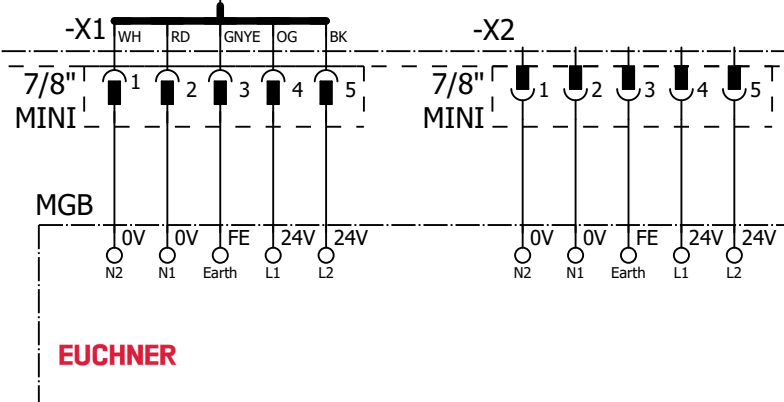
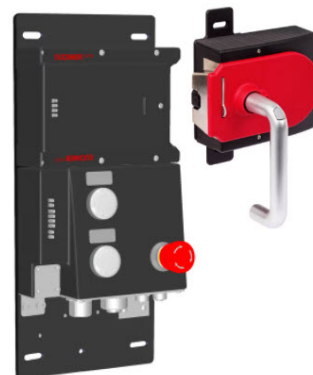
=V1KF1+.UC11/2.6
-KF100.11-P15

-KF100.11-P15
PROFINET Cable
6XV1840-3AH10
15 m

-W1
RSM RKM 56-15M/S3059
15m

+.FQ1BG1

-BG1
24 V
MGB-L2B-PNA-R-121859
MGB-L2B-PNA-R-121859



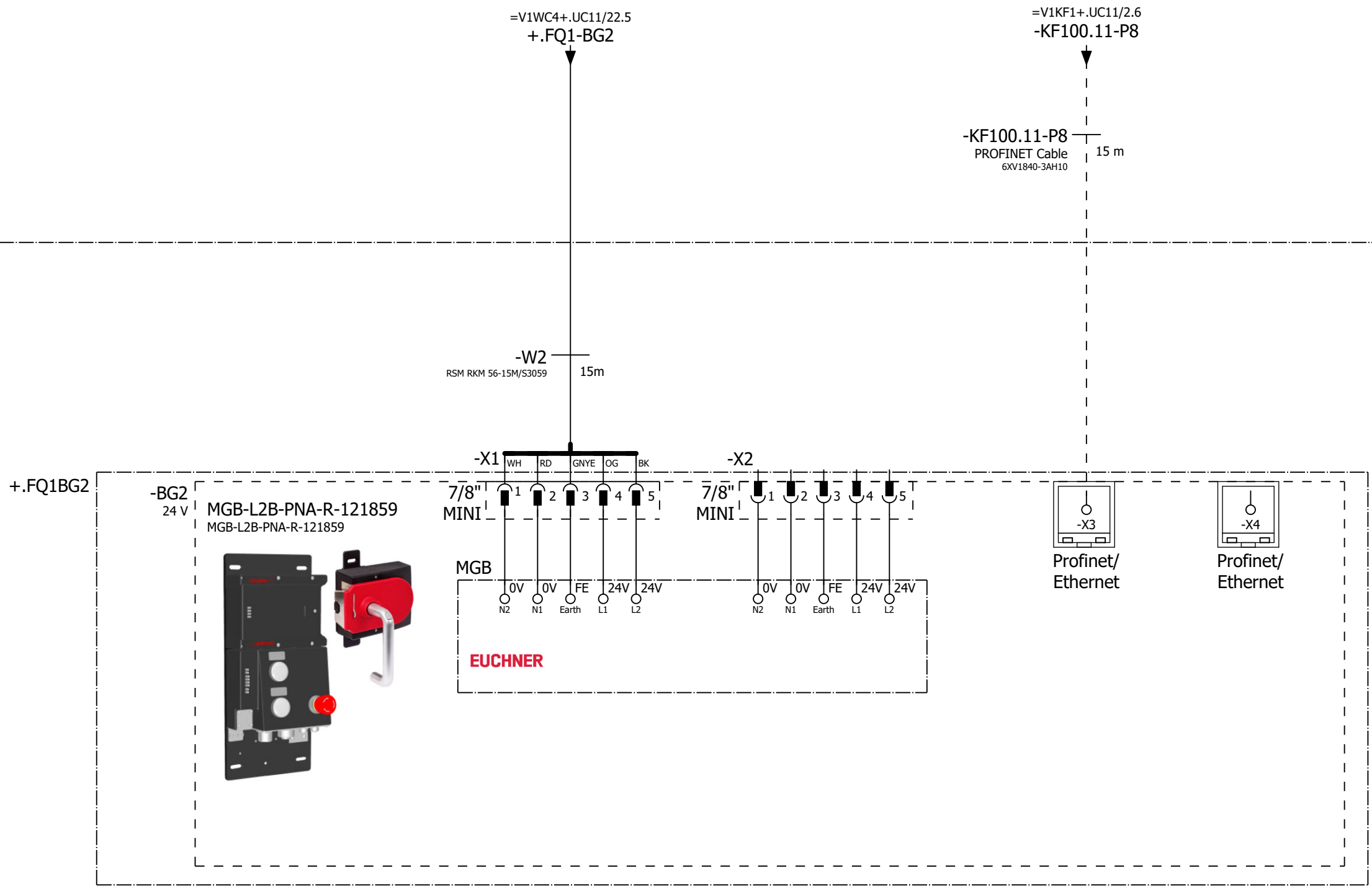
-X3
Profinet/
Ethernet

-X4
Profinet/
Ethernet

=V1FG2UQ1+.FG2UQ1/1

			Date	1/17/2023	Volvo Trucks North America	Valiant TMS	Door lock sensor -BG1	Drawing name: =2V07&EFS-EL		= V1FQ1	
			Ed.	MKLEPADLO		Scale 1:1		Document type: EFS		Project nr: 22-16144	+ V1FQ1
Modification	Date	Name	Original	Replacement of				Replaced by	Page 1		509

=V1KF1+V1UC11

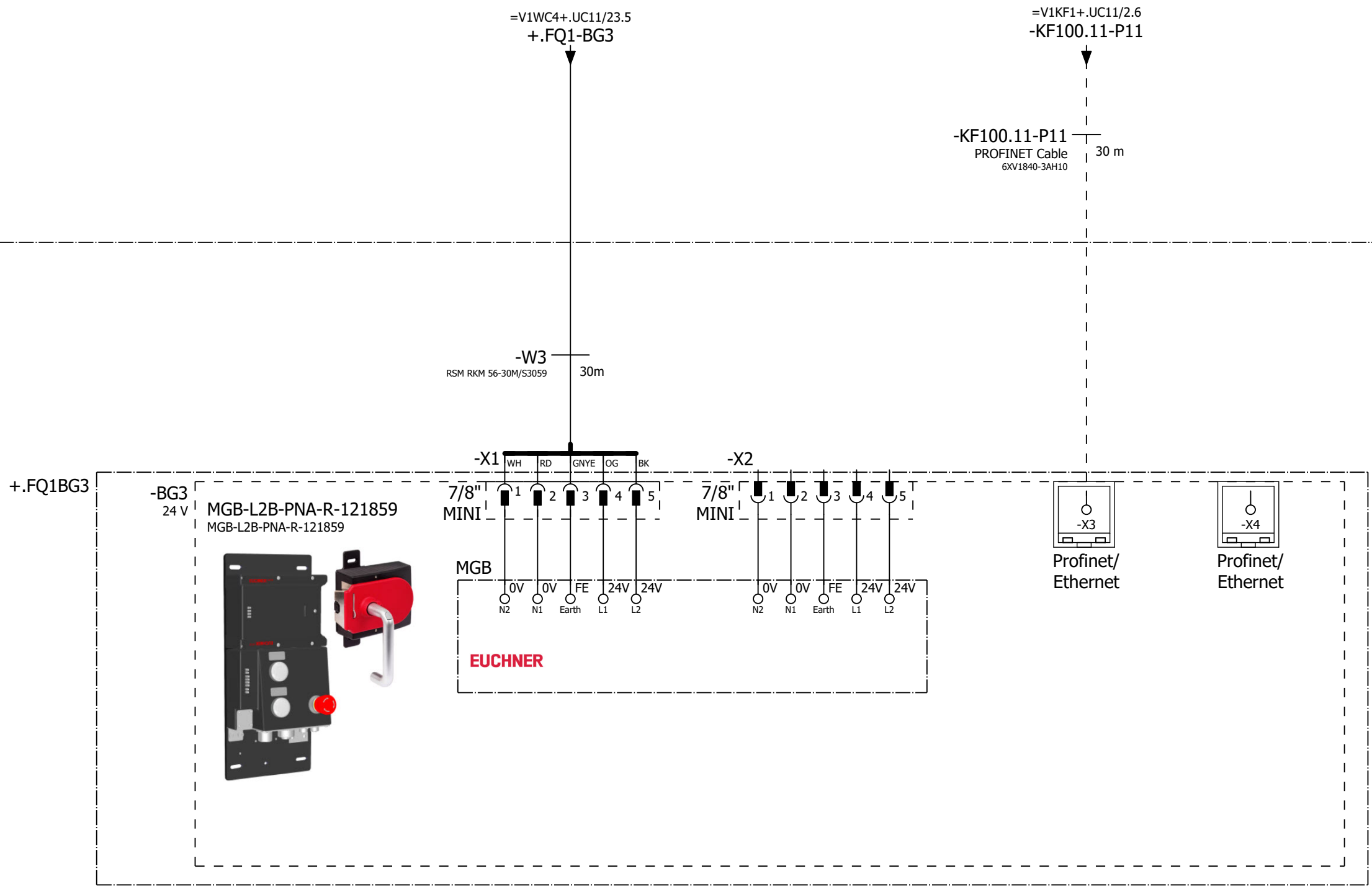


1

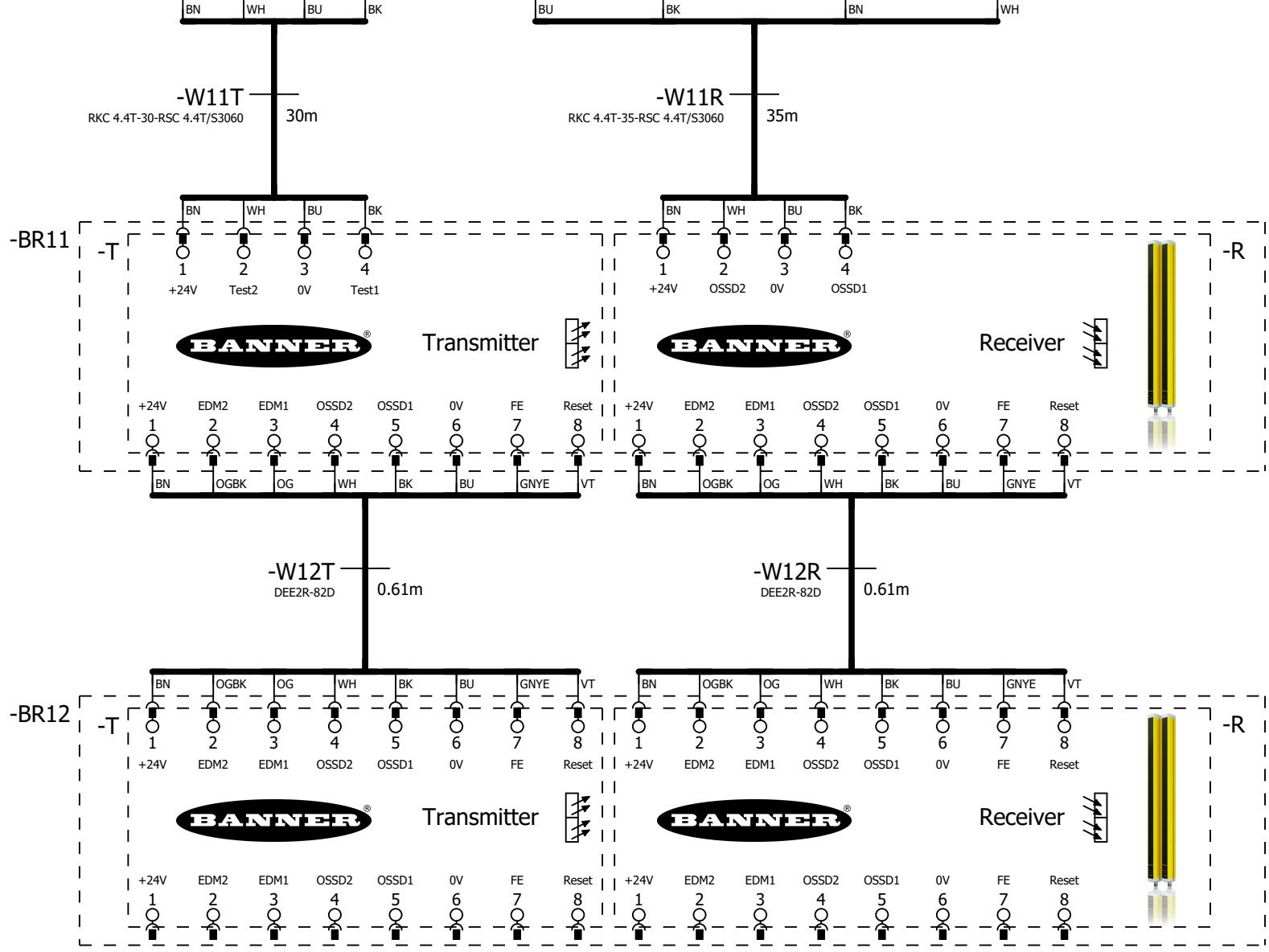
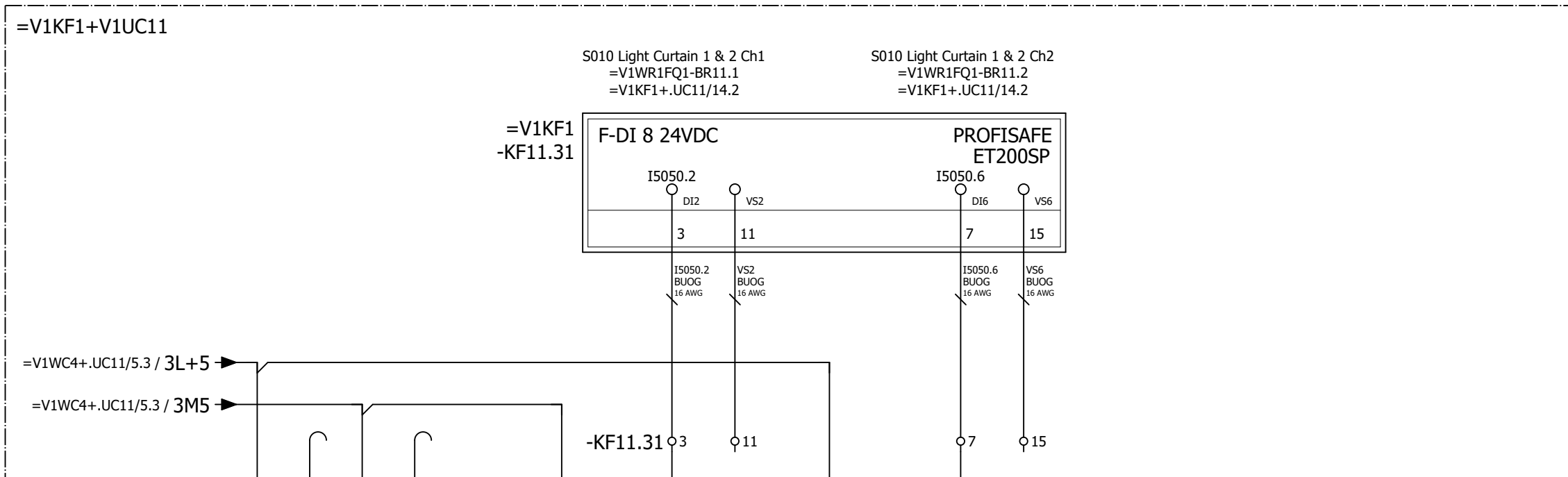
3

Date	1/17/2023	Volvo Trucks North America	Valiant TMS	Door lock sensor -BG2	Drawing name:	= V1FQ1
Ed.	MKLEPADLO				=2V07&EFS-EL	+ V1FQ1
Appr		P6700 Roof Inr & Dr Ring LH - Cell 2V07			Document type:	Project nr:
Original		Replacement of	Replaced by	Scale 1:1	EFS	22-16144
Modification	Date	Name	Original			Page
						2
						509

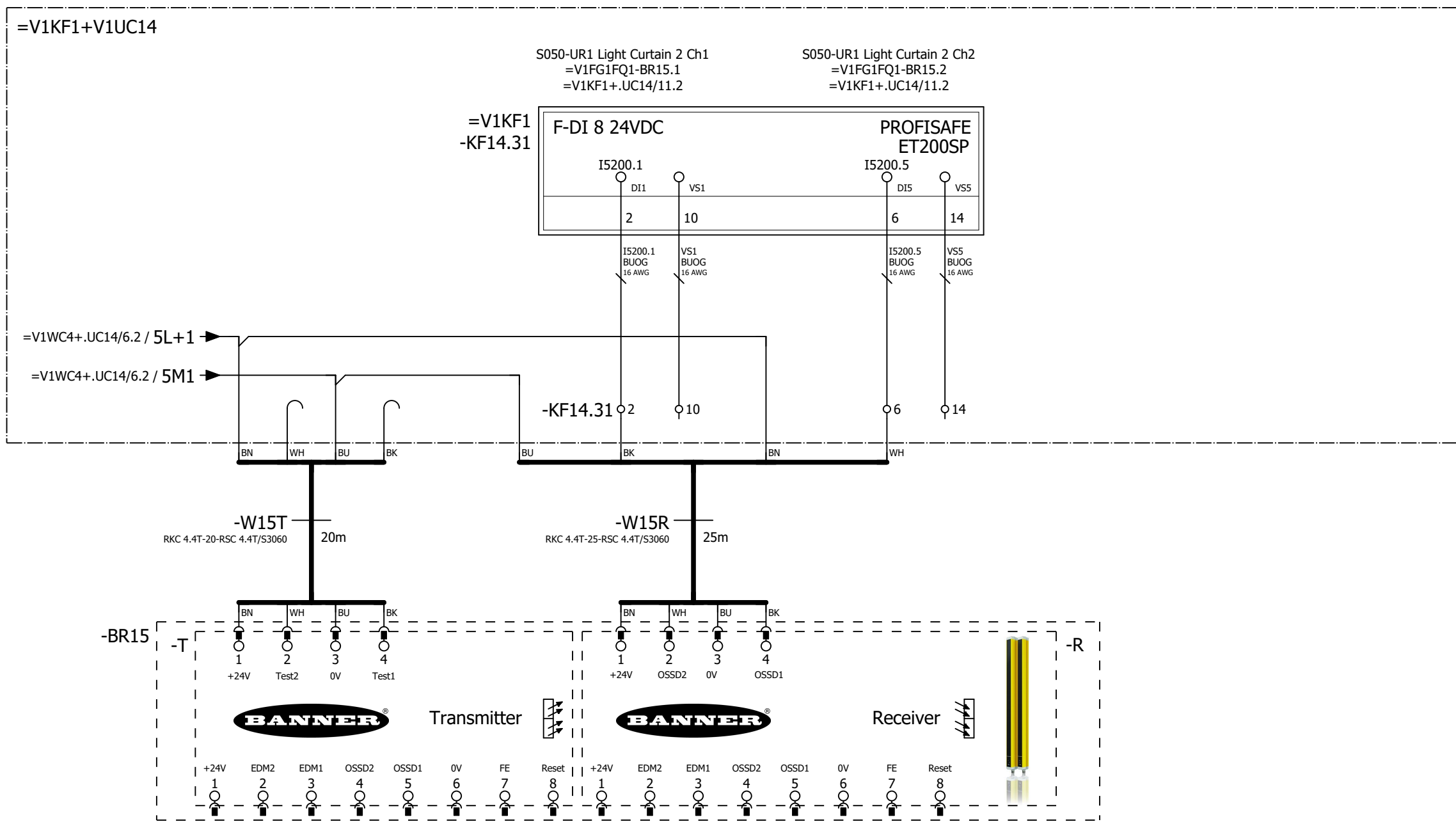
=V1KF1+V1UC11



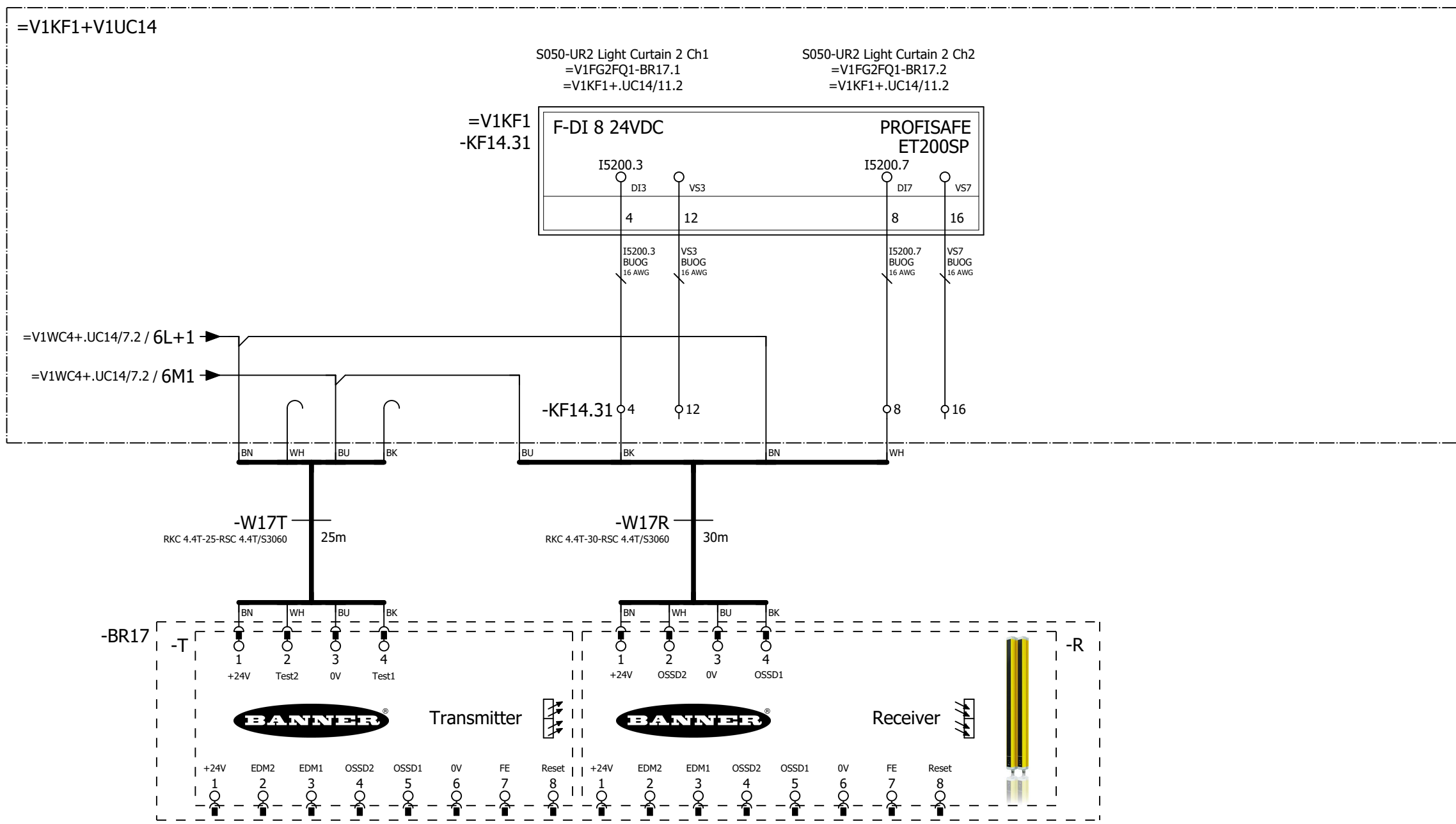
Date	1/17/2023	Volvo Trucks North America	Valiant TMS	Door lock sensor -BG3	Drawing name:	= V1FQ1		
Ed.	MKLEPADLO	P6700 Roof Inr & Dr Ring LH - Cell 2V07	Scale 1:1		=2V07&EFS-EL	+ V1FQ1		
Appr					Document type:	Project nr:	Page	3
Modification	Date	Name	Original	Replacement of	Replaced by	EFS	22-16144	509



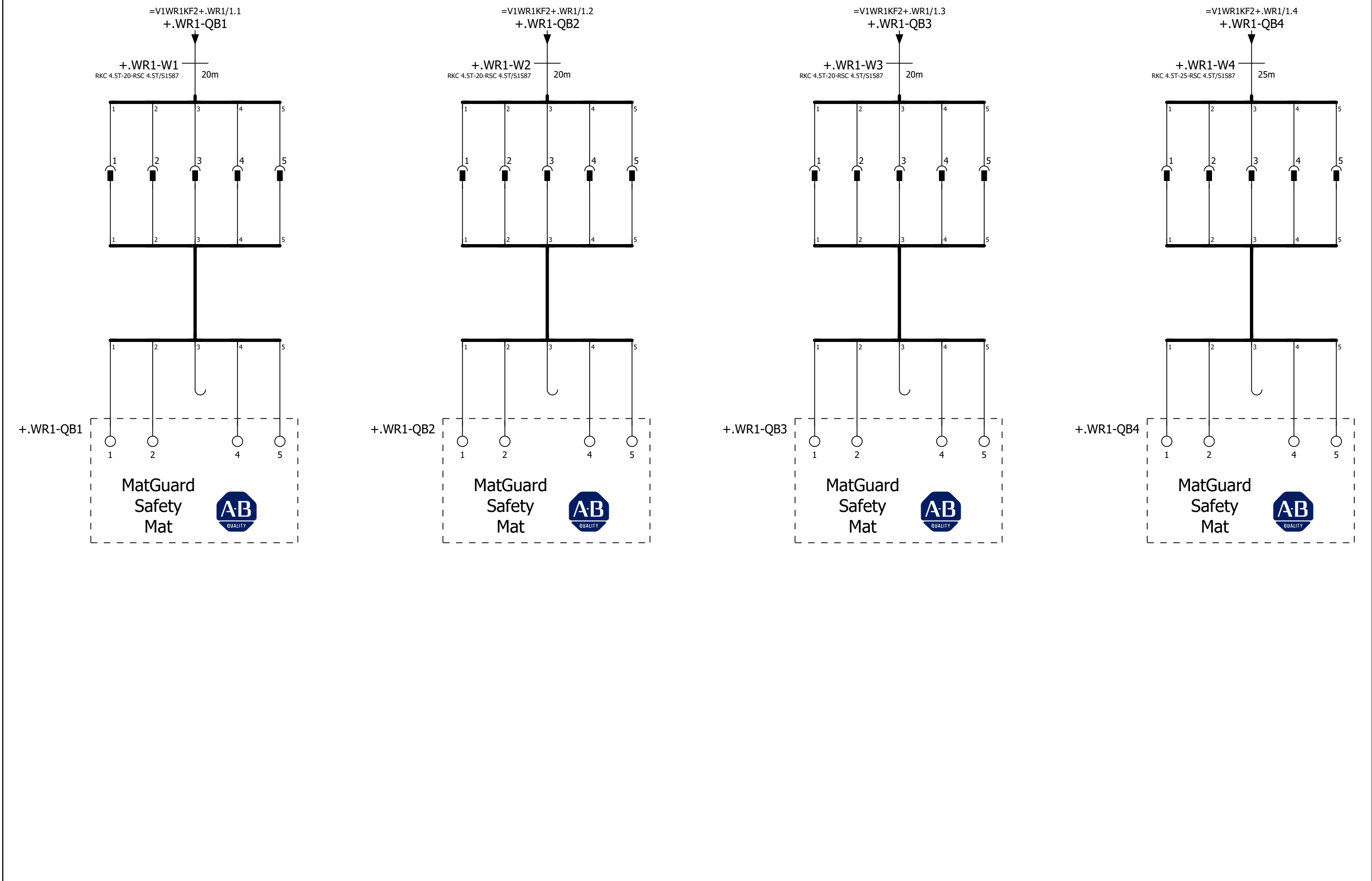
Date	1/17/2023	Volvo Trucks North America	Valiant TMS	S010 Light Curtain 1 & 2	Drawing name:	= V1FQ1
Ed.	MKLEPADLO	P6700 Roof Inr & Dr Ring LH - Cell 2V07			=2V07&EFS-EL	+ V1FQ1
Appr		Replacement of	Replaced by	Scale 1:1	Document type:	Project nr:
Modification	Date	Name	Original		EFS	22-16144
						Page 5
						509




Date		1/17/2023		Volvo Trucks North America		Valiant TMS		S050-UR1 Light Curtain 2		Drawing name: =V1FQ1		= 2V07&EFS-EL		= V1FQ1	
Ed.		MKLEPADLO		P6700 Roof Inr & Dr Ring LH - Cell 2V07		Scale 1:1				Document type: EFS		Project nr: 22-16144		Page 8	
Modification		Date		Name		Original		Replacement of		Replaced by				Page 509	



			Date	1/17/2023	Volvo Trucks North America	Valiant TMS	S050-UR2 Light Curtain 2	Drawing name: =V1FQ1	
			Ed.	MKLEPADLO		Scale 1:1		=2V07&EFS-EL	
			Appr					Document type: EFS	
Modification	Date	Name	Original		Replacement of	Replaced by			Page 10
									509

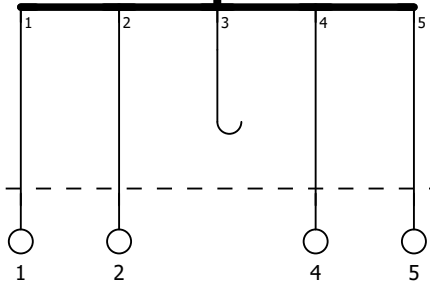
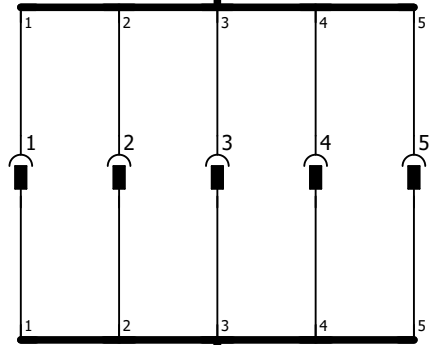


			Date	1/17/2023	Volvo Trucks North America		Valiant TMS	S010 Safety Mats	Drawing name:		= V1FQ1	
			Ed.	MKLEPADLO					=2V07&EFS-EL		+ V1FQ1	
			Appr						Document type:	EFS	Project nr:	22-16144
Modification	Date	Name	Original		Replacement of	Replaced by	Scale 1:1				Page	11
												509

=V1WR1KF2+.WR1/1.5
+.WR1-QB5

+.WR1-W5
RKC 4.5T-25-RSC 4.5T/S1587

25m



+.WR1-QB5

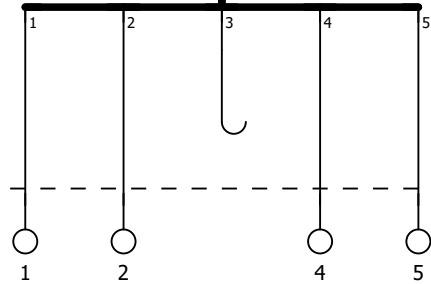
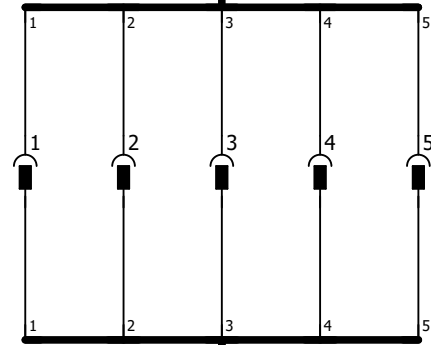
MatGuard
Safety
Mat



=V1WR1KF2+.WR1/1.6
+.WR1-QB6

+.WR1-W6
RKC 4.5T-25-RSC 4.5T/S1587

25m

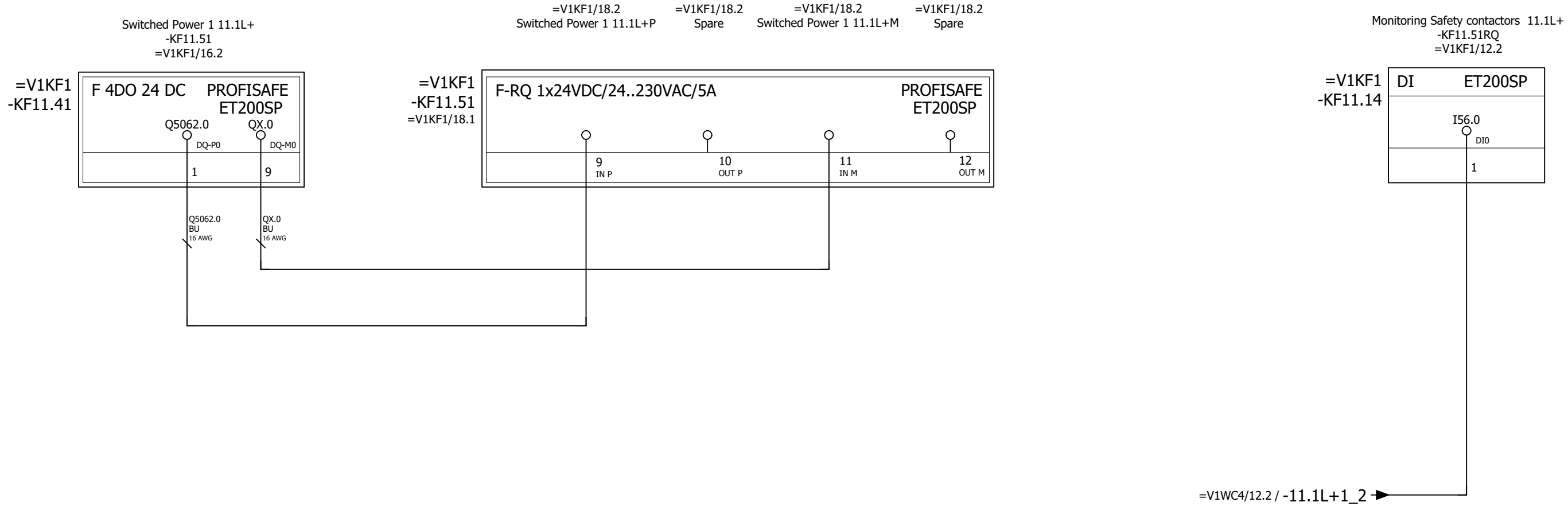


+.WR1-QB6

MatGuard
Safety
Mat

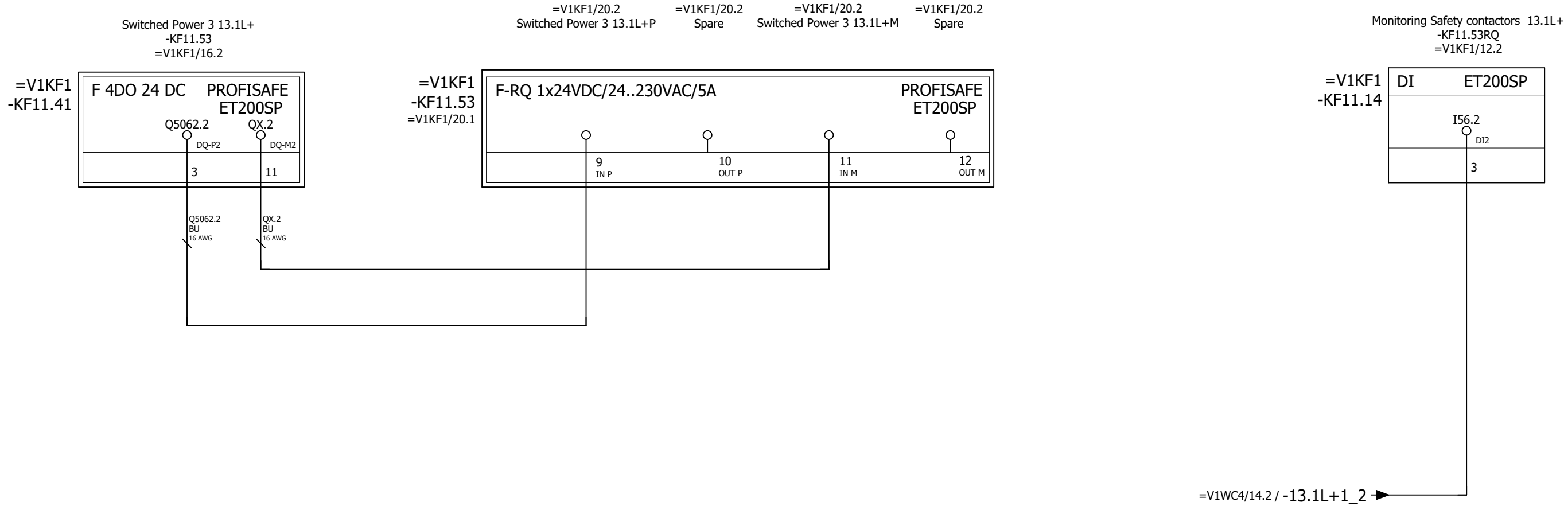


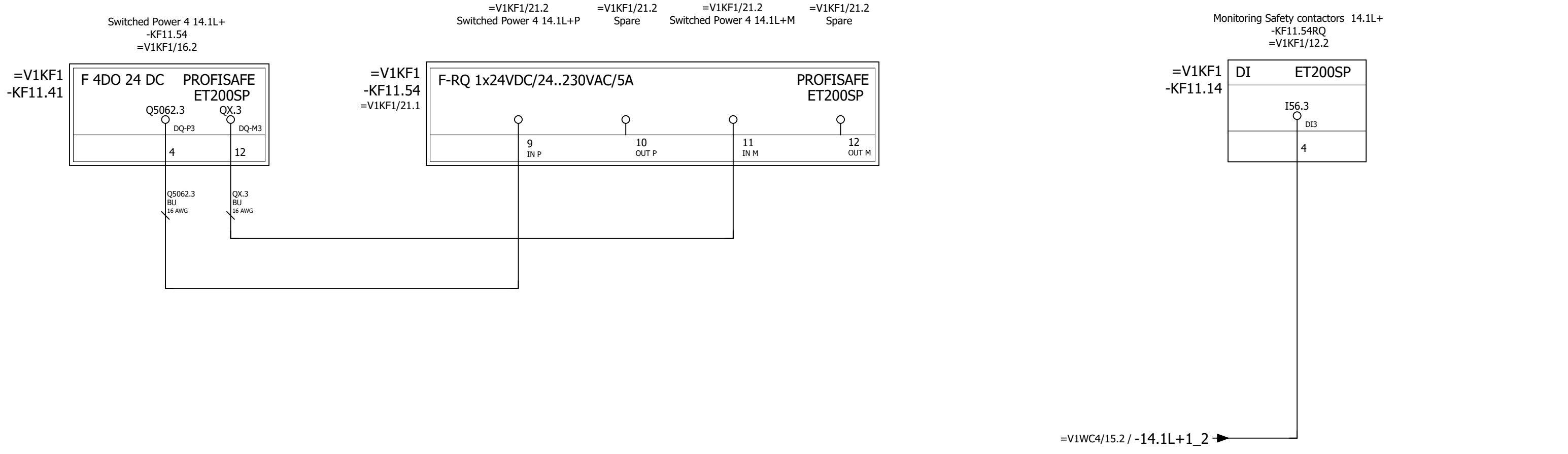
		Date	1/17/2023	Volvo Trucks North America	Valiant TMS	S010 Safety Mats	Drawing name:		= V1FQ1
		Ed.	MKLEPADLO				=2V07&EFS-EL		+ V1FQ1
		Appr		P6700 Roof Inr & Dr Ring LH - Cell 2V07	Scale 1:1		Document type:	Project nr:	Page
Modification	Date	Name	Original	Replacement of			Replaced by	EFS	22-16144
									509



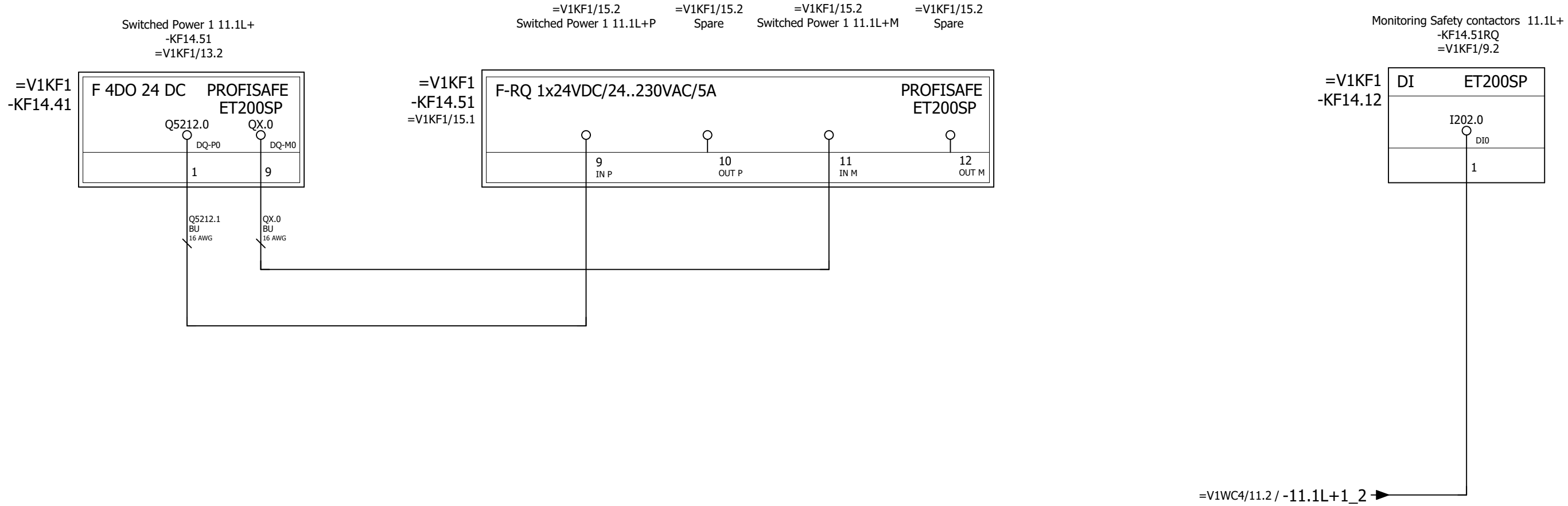
+.FQ1/12

		Date	1/17/2023		Valiant TMS Safety power monitoring RQ - KF11.51	Drawing name:		= V1FQ1	
		Ed.	MKLEPADLO			=2V07&EFS-EL		+ V1UC11	
		Appr				Document type:	Project nr:	Page	
Modification	Date	Name	Original	Replacement of	Replaced by	Scale 1:1	EFS	22-16144	1
								509	





		Date	1/17/2023	Volvo Trucks North America			Valiant TMS	Safety power monitoring RQ - KF11.54	Drawing name: =2V07&EFS-EL		= V1FQ1
		Ed.	MKLEPADLO	P6700 Roof Inr & Dr Ring LH - Cell 2V07					Document type: EFS		Project nr: 22-16144
Modification	Date	Name	Original	Replacement of	Replaced by	Scale 1:1					Page 4
											509

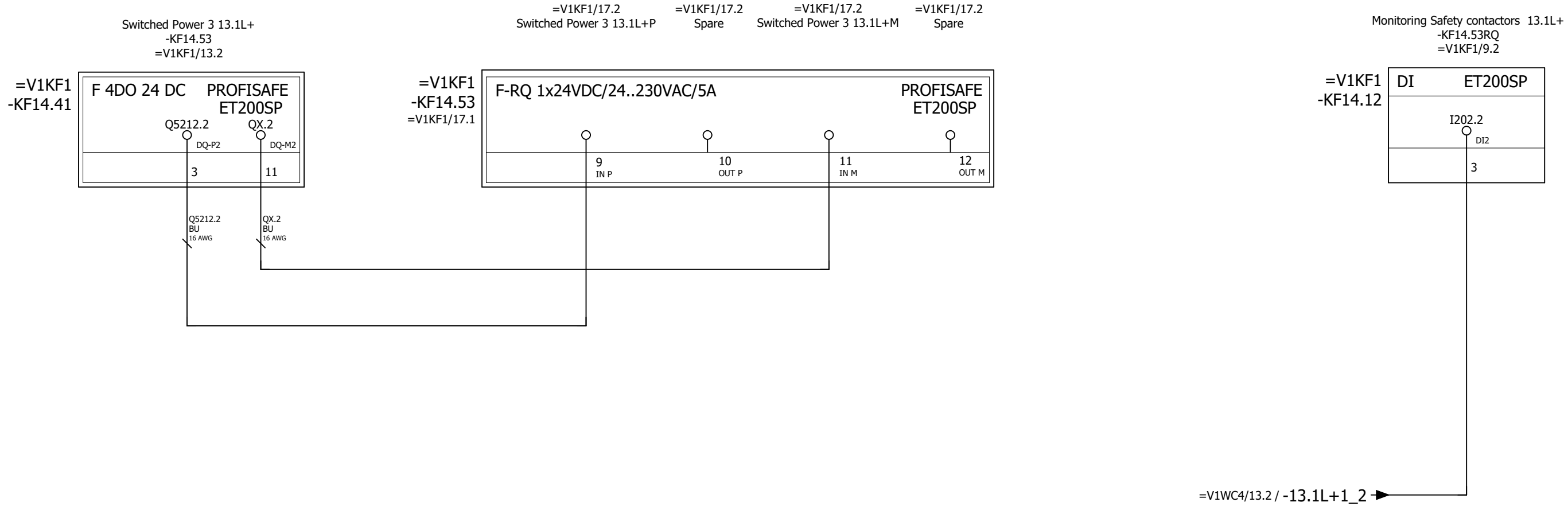


=V1WC4/11.2 / -11.1L+1_2 →

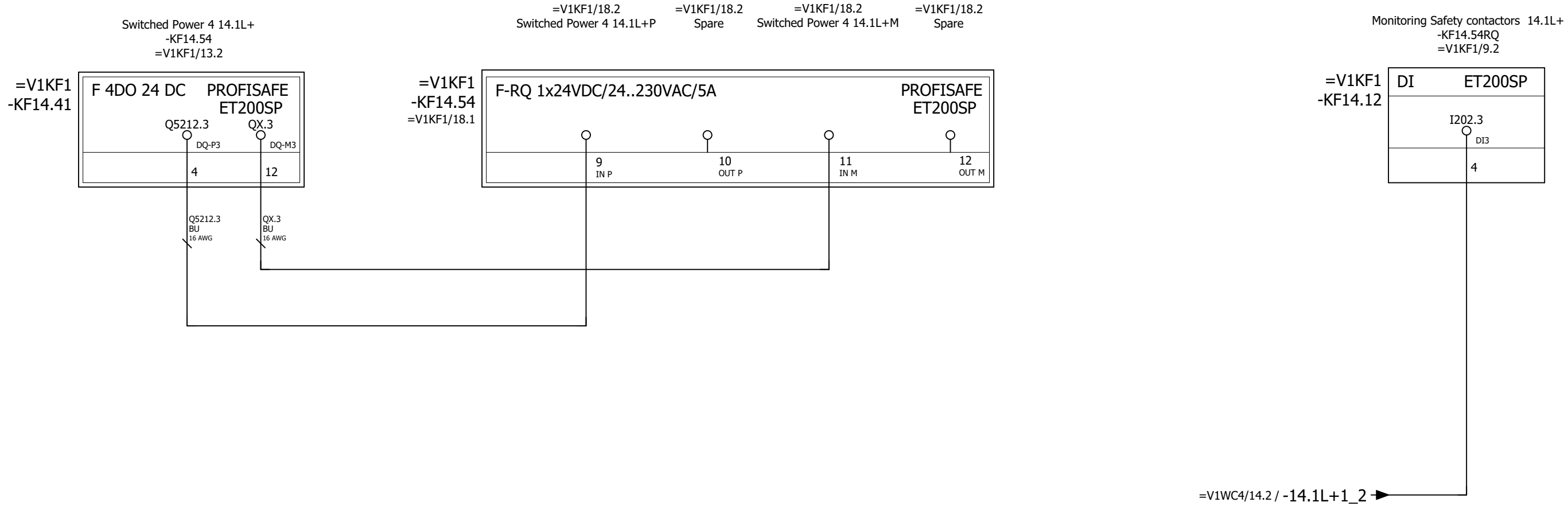
+UC11/4

2

Date		1/17/2023		Volvo Trucks North America		Valiant TMS		Safety power monitoring RQ - KF14.51		Drawing name: =2V07&EFS-EL		= V1FQ1	
Ed.		MKLEPADLO		P6700 Roof Inr & Dr Ring LH - Cell 2V07		Scale 1:1				Document type: EFS		+ V1UC14	
Appr				Replacement of		Replaced by				Project nr: 22-16144		Page 1	
Modification		Date		Name		Original						509	



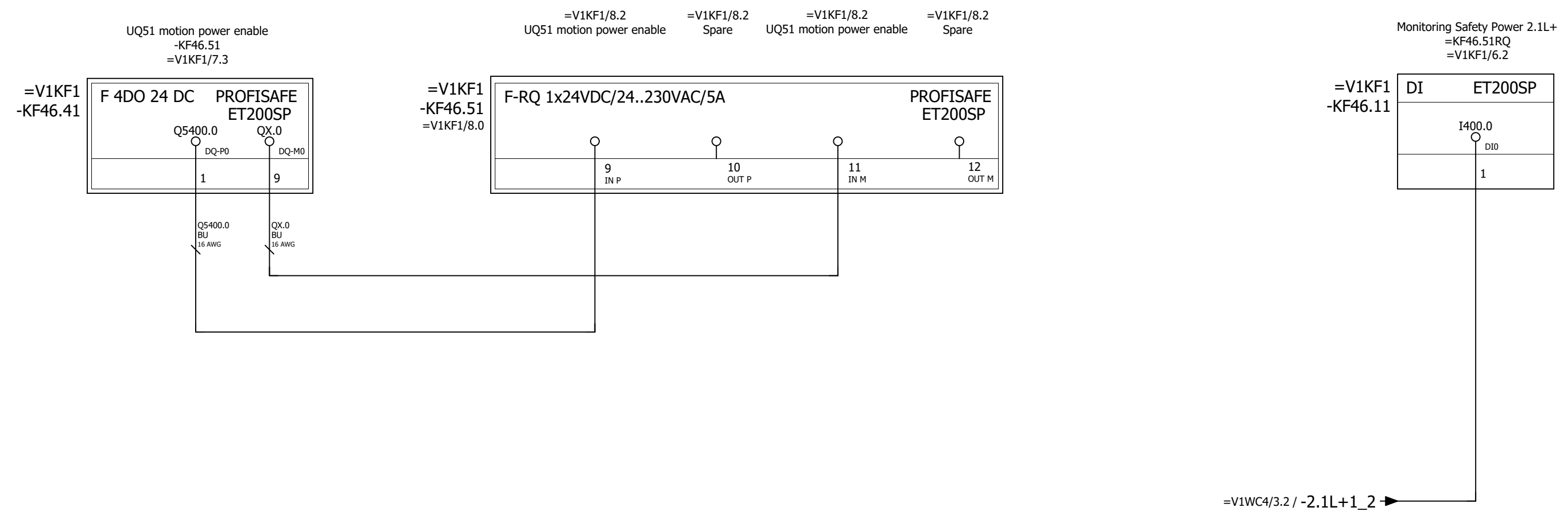
			Date	1/17/2023	Volvo Trucks North America		Valiant TMS	Safety power monitoring RQ - KF14.53	Drawing name: =2V07&EFS-EL	= V1FQ1 + V1UC14
			Ed.	MKLEPADLO	P6700 Roof Inr & Dr Ring LH - Cell 2V07				Document type: EFS	Project nr: 22-16144
Modification	Date	Name	Original		Replacement of	Replaced by	Scale 1:1			Page 3 509



3

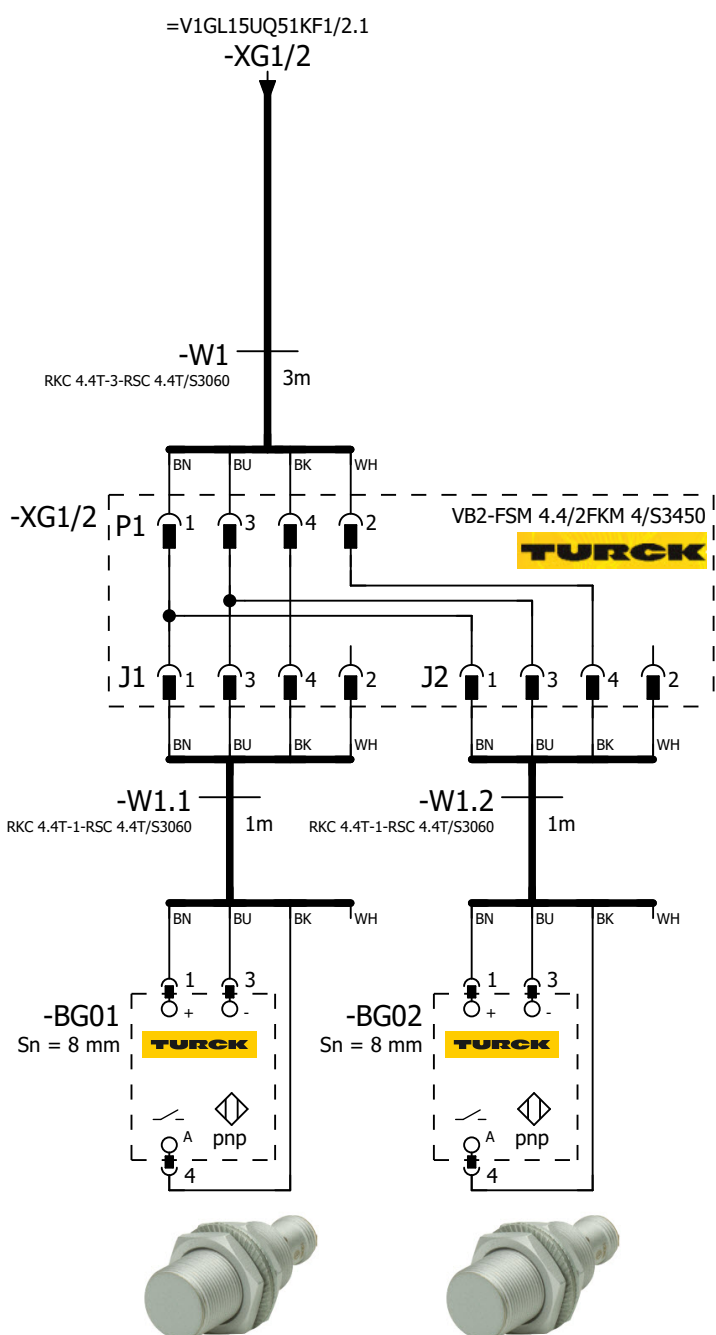
+ .UC46/5

			Date	1/17/2023	Volvo Trucks North America		Valiant TMS	Safety power monitoring RQ - KF14.54	Drawing name: =2V07&EFS-EL	= V1FQ1 + V1UC14
			Ed.	MKLEPADLO	P6700 Roof Inr & Dr Ring LH - Cell 2V07				Document type: EFS	Project nr: 22-16144
Modification	Date	Name	Original		Replacement of	Replaced by	Scale 1:1			Page 4 509



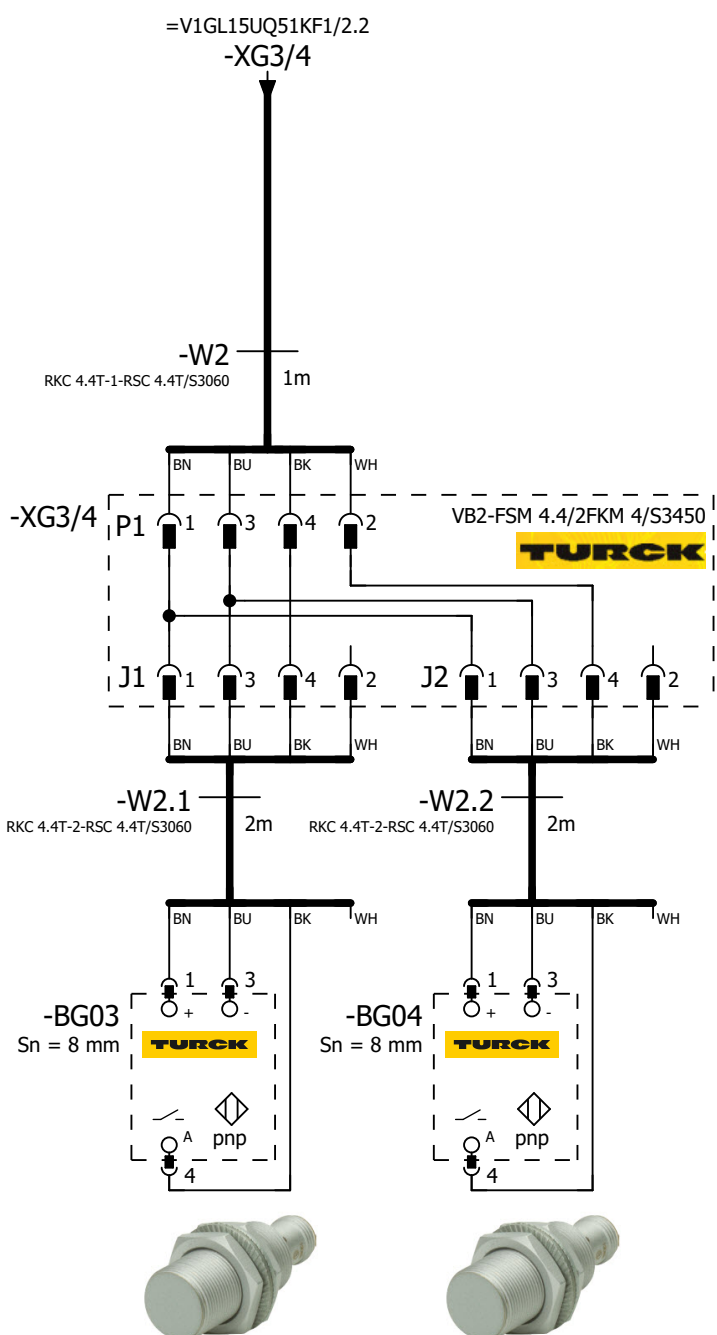
+UC14/4

		Date	1/17/2023	Volvo Trucks North America	Valiant TMS	Safety power monitoring RQ - KF46.51	Drawing name:		= V1FQ1	
		Ed.	MKLEPADLO				=2V07&EFS-EL		+ V1UC46	
		Appr					Document type:	EFS	Project nr:	22-16144
Modification	Date	Name	Original	Replacement of	Replaced by	Scale 1:1			509	



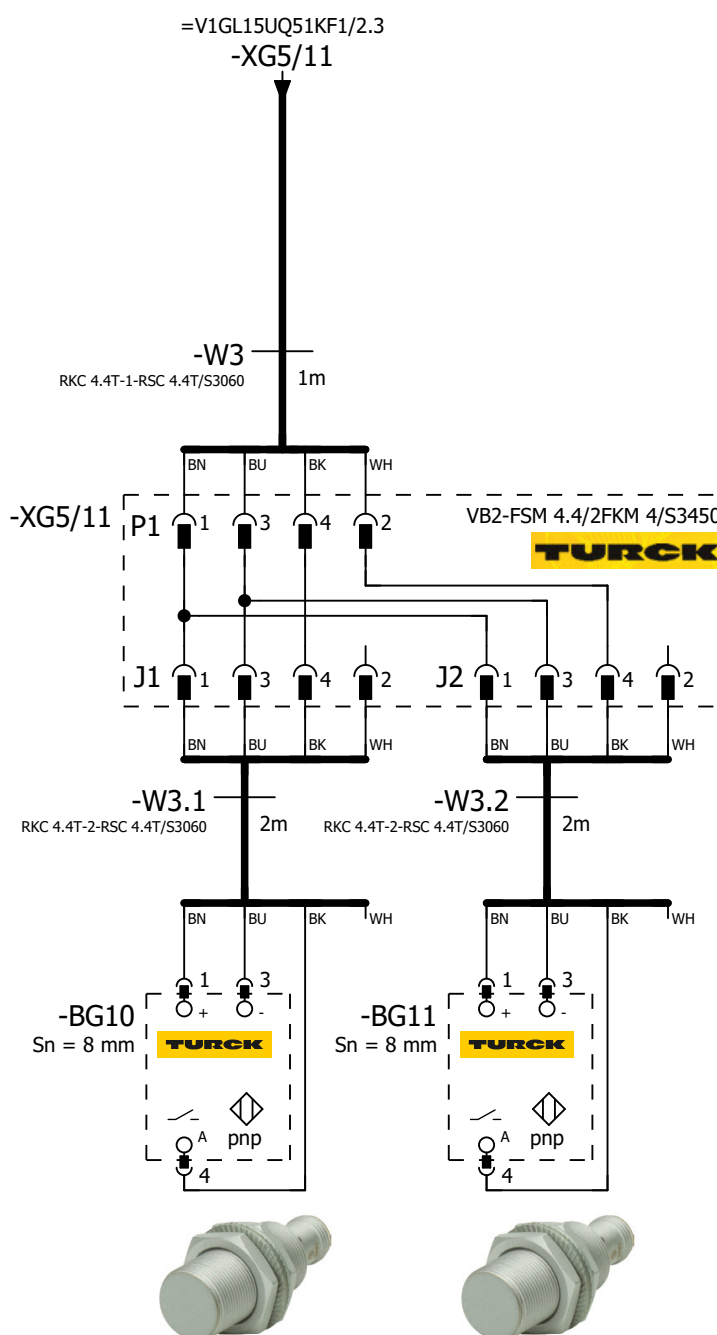
=V1GL15UQ51
-BG01
Pallet Present at
Load Sta #1

=V1GL15UQ51
-BG02
Pallet Present at
Accum Zone 1-2



=V1GL15UQ51
-BG03
Pallet Present at
Mid-Stop Sta #2

=V1GL15UQ51
-BG04
Pallet Present at
Accum Zone 2-3



=V1GL15UQ51
-BG10
Pallet Present at
Pre-Load Sta #6

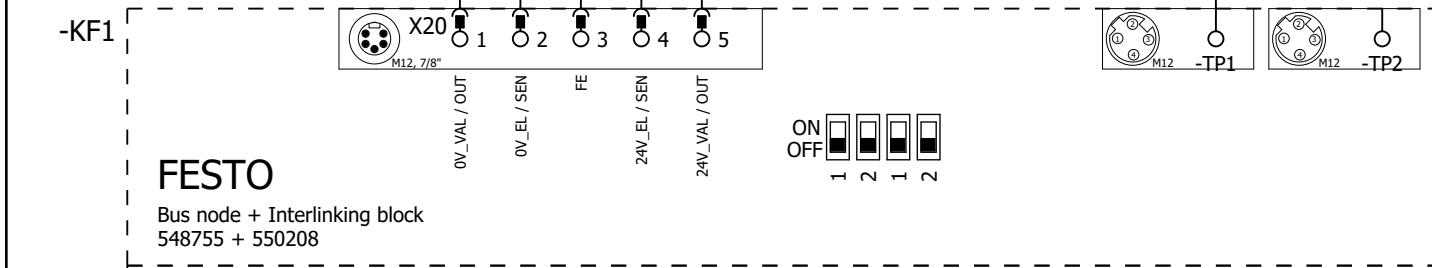
=V1GL15UQ51
-BG11
Good Pallet
Detected at Load

=V1WC4+.UC11/26.5 / W1

=KF0KF1+UC31/10.6 / +UC31-KF100.31-P11

-W1
RSM RKM 56-30M/S3059
30m

-KF100.31-P11
PROFINET Cable
6XV1840-3AH10

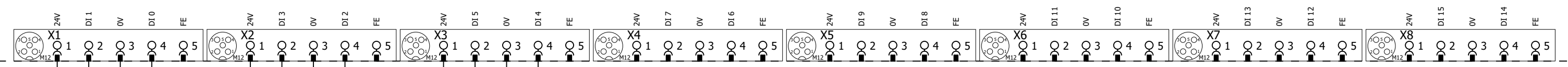


FESTO
Bus node + Interlinking block
548755 + 550208

-KF1.11
FESTO
CPX-M-AB-8-M12X2-5POL
549335



I2350.0	DI0-x1:4	V1GL15UQ51UQ1.1-BGR	Pallet Stop Station #1 Load (RESET)
I2350.1	DI1-x1:2	V1GL15UQ51UQ1.1-BGS	Pallet Stop Station #1 Load (SET)
I2350.2	DI2-x2:4	V1GL15UQ51UQ2.1-BGR	Pallet Stop Station #2 Mid-Stop (RESET)
I2350.3	DI3-x2:2	V1GL15UQ51UQ2.1-BGS	Pallet Stop Station #2 Mid-Stop (SET)
I2350.4	DI4-x3:4	V1GL15UQ51UQ6.1-BGR	Pallet Stop Station #6 Pre-Load (RESET)
I2350.5	DI5-x3:2	V1GL15UQ51UQ6.1-BGS	Pallet Stop Station #6 Pre-Load (SET)
I2350.6	DI6-x4:4	I2350.6	SPARE
I2350.7	DI7-x4:2	I2350.7	SPARE
I2351.0	DI8-x5:4	I2351.0	SPARE
I2351.1	DI9-x5:2	I2351.1	SPARE
I2351.2	DI10-x6:4	I2351.2	SPARE
I2351.3	DI11-x6:2	I2351.3	SPARE
I2351.4	DI12-x7:4	I2351.4	SPARE
I2351.5	DI13-x7:2	I2351.5	SPARE
I2351.6	DI14-x8:4	I2351.6	SPARE
I2351.7	DI15-x8:2	I2351.7	SPARE



+ .GL15UQ51UQ1.1-W1
=V1GL15UQ51UQ1+.GL15UQ51UQ1/1.1

+ .GL15UQ51UQ2.1-W1
=V1GL15UQ51UQ2+.GL15UQ51UQ2/1.1

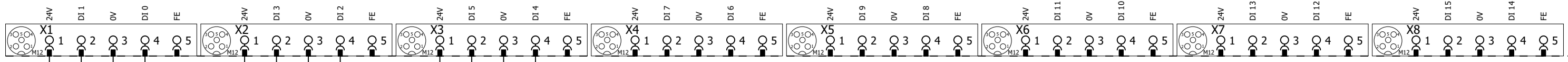
+ .GL15UQ51UQ6.1-W1
=V1GL15UQ51UQ6+.GL15UQ51UQ6/1.1

=V1GL15UQ51BG0/1

-KF1.12 **FESTO**
 CPX-M-AB-8-M12X2-5POL
 549335



I2352.0	DI 0	x1:4	V1GL15UQ51-BG01	Sensor Pallet Present at Load Sta #1
I2352.1	DI 1	x1:2	V1GL15UQ51-BG02	Sensor Pallet Present at Accum Zone 1-2
I2352.2	DI 2	x2:4	V1GL15UQ51-BG03	Sensor Pallet Present at Mid-Stop Sta #2
I2352.3	DI 3	x2:2	V1GL15UQ51-BG04	Sensor Pallet Present at Accum Zone 2-3
I2352.4	DI 4	x3:4	V1GL15UQ51-BG10	Sensor Pallet Present at Pre-Load Sta #6
I2352.5	DI 5	x3:2	V1GL15UQ51-BG11	Sensor Good Pallet Detected at Load
I2352.6	DI 6	x4:4	I2352.6	SPARE
I2352.7	DI 7	x4:2	I2352.7	SPARE
I2353.0	DI 8	x5:4	I2353.0	SPARE
I2353.1	DI 9	x5:2	I2353.1	SPARE
I2353.2	DI 10	x6:4	I2353.2	SPARE
I2353.3	DI 11	x6:2	I2353.3	SPARE
I2353.4	DI 12	x7:4	I2353.4	SPARE
I2353.5	DI 13	x7:2	I2353.5	SPARE
I2353.6	DI 14	x8:4	I2353.6	SPARE
I2353.7	DI 15	x8:2	I2353.7	SPARE



-XG1/2
 =V1GL15UQ51BG0/1.1

-XG3/4
 =V1GL15UQ51BG0/1.4

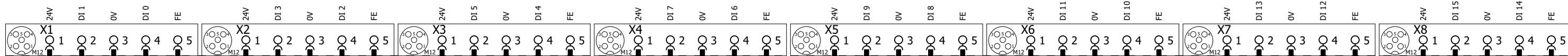
-XG5/11
 =V1GL15UQ51BG0/1.6

-KF1.13

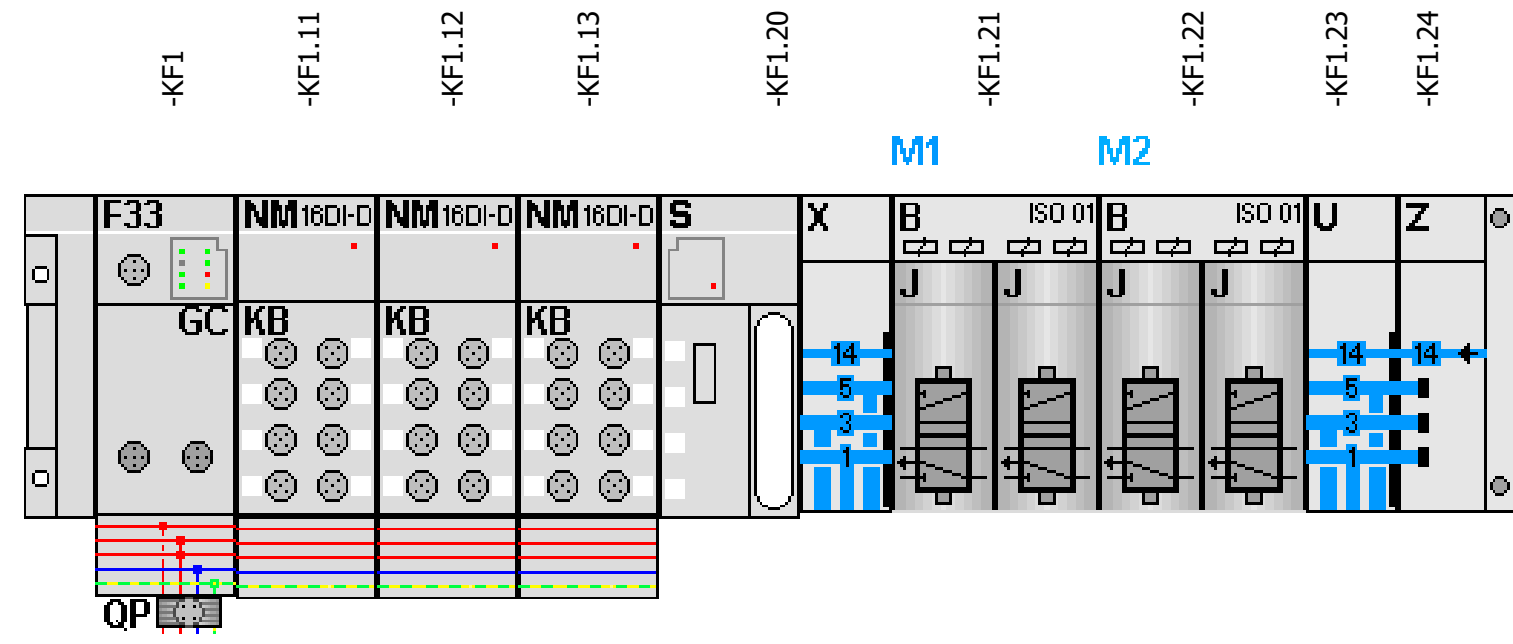
FESTO
 CPX-M-AB-8-M12X2-5POL
 549335



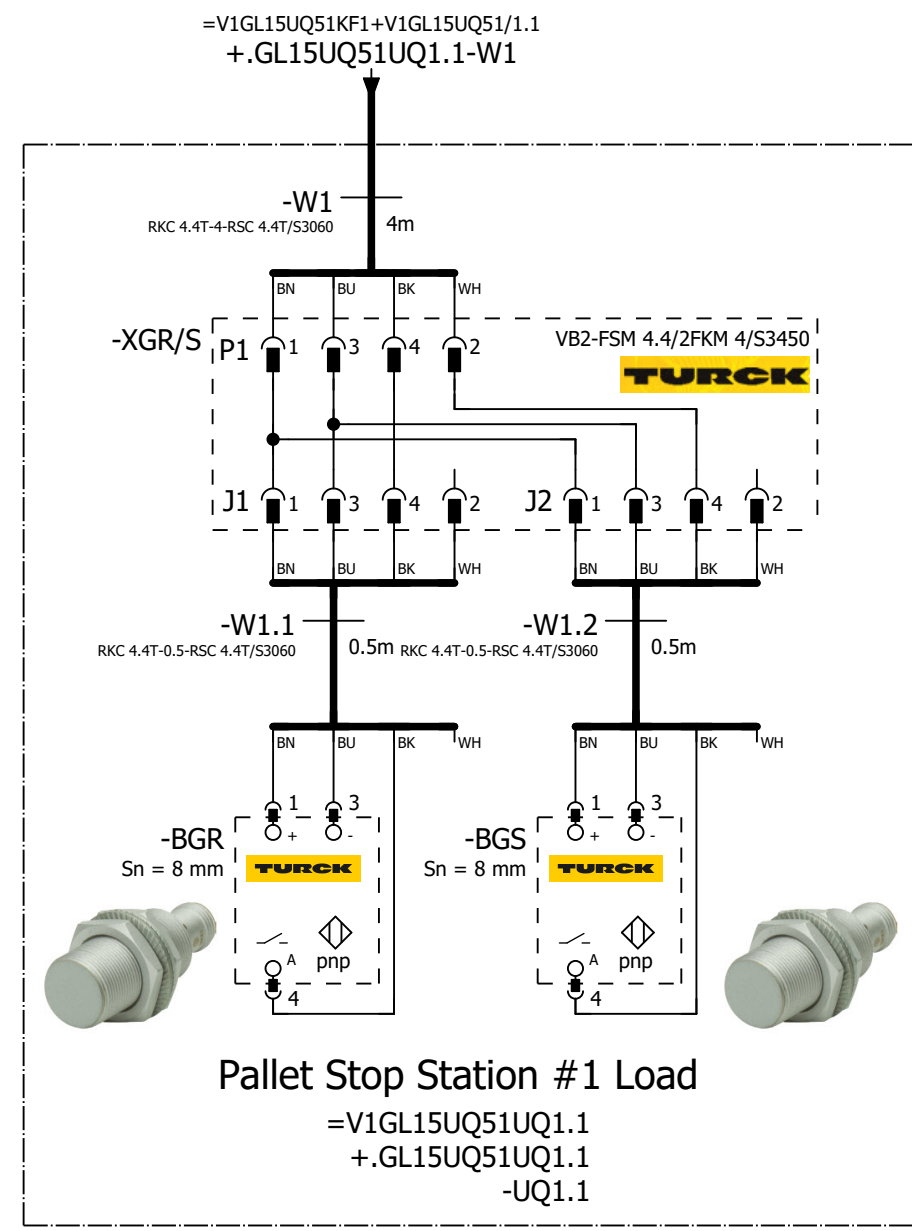
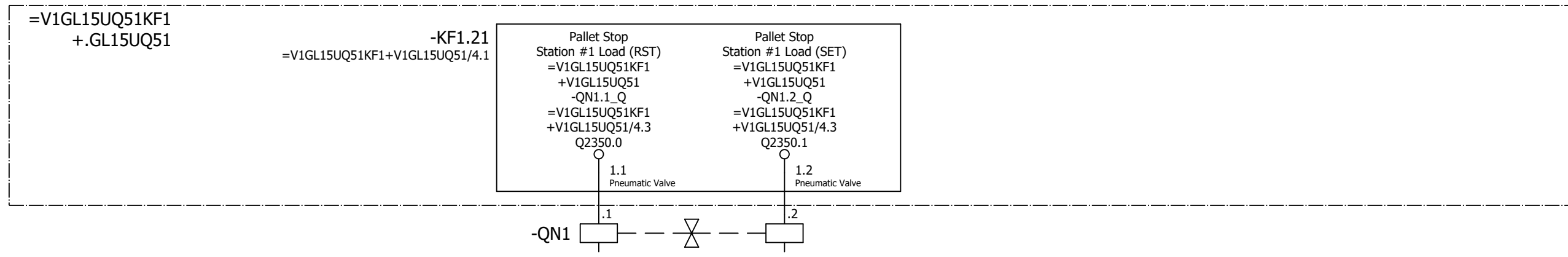
I2354.0	DI 0	x1:4	I2354.0	SPARE
I2354.1	DI 1	x1:2	I2354.1	SPARE
I2354.2	DI 2	x2:4	I2354.2	SPARE
I2354.3	DI 3	x2:2	I2354.3	SPARE
I2354.4	DI 4	x3:4	I2354.4	SPARE
I2354.5	DI 5	x3:2	I2354.5	SPARE
I2354.6	DI 6	x4:4	I2354.6	SPARE
I2354.7	DI 7	x4:2	I2354.7	SPARE
I2355.0	DI 8	x5:4	I2355.0	SPARE
I2355.1	DI 9	x5:2	I2355.1	SPARE
I2355.2	DI 10	x6:4	I2355.2	SPARE
I2355.3	DI 11	x6:2	I2355.3	SPARE
I2355.4	DI 12	x7:4	I2355.4	SPARE
I2355.5	DI 13	x7:2	I2355.5	SPARE
I2355.6	DI 14	x8:4	I2355.6	SPARE
I2355.7	DI 15	x8:2	I2355.7	SPARE



			Date	1/17/2023	Volvo Trucks North America	Valiant TMS	I/O MOD. DI16 (8 x M12) FOR VTSA-F	Drawing name:		= V1GL15UQ51KF1
			Ed.	MKLEPADLO	P6700 Roof Inr & Dr Ring LH - Cell 2V07			= 2V07&EFS-EL		+ V1GL15UQ51
			Appr			Replacement of	Replaced by	Scale 1:1	Document type:	Project nr:
Modification	Date	Name	Original		EFS				22-16144	3
										509



-KF1.21 =V1GL15UQ51UQ1+.GL15UQ51UQ1/1.3 =V1GL15UQ51UQ2+.GL15UQ51UQ2/1.3	FESTO	=V1GL15UQ51UQ1+.GL15UQ51UQ1/1.4	Q2350.0 $\overset{DO0}{O}$ _{1.1}	-QN1.1_Q	Pallet Stop Station #1 Load (RST)
		=V1GL15UQ51UQ1+.GL15UQ51UQ1/1.4	Q2350.1 $\overset{DO1}{O}$ _{1.2}	-QN1.2_Q	Pallet Stop Station #1 Load (SET)
		=V1GL15UQ51UQ2+.GL15UQ51UQ2/1.4	Q2350.2 $\overset{DO2}{O}$ _{2.1}	-QN2.1_Q	Pallet Stop Station #2 Mid-Stop (RST)
		=V1GL15UQ51UQ2+.GL15UQ51UQ2/1.4	Q2350.3 $\overset{DO3}{O}$ _{2.2}	-QN2.2_Q	Pallet Stop Station #2 Mid-Stop (SET)
-KF1.22 =V1GL15UQ51UQ6+.GL15UQ51UQ6/1.3 =V1GL15UQ51UQx+.GL15UQ51UQx/1.3	FESTO	=V1GL15UQ51UQ6+.GL15UQ51UQ6/1.4	Q2350.4 $\overset{DO0}{O}$ _{1.1}	-QN3.1_Q	Pallet Stop Station #6 Pre-Load (RST)
		=V1GL15UQ51UQ6+.GL15UQ51UQ6/1.4	Q2350.5 $\overset{DO1}{O}$ _{1.2}	-QN3.2_Q	Pallet Stop Station #6 Pre-Load (SET)
		=V1GL15UQ51UQx+.GL15UQ51UQx/1.4	Q2350.6 $\overset{DO2}{O}$ _{2.1}	-QN4.1_Q	Spare (RST)
		=V1GL15UQ51UQx+.GL15UQ51UQx/1.4	Q2350.7 $\overset{DO3}{O}$ _{2.2}	-QN4.2_Q	Spare (SET)



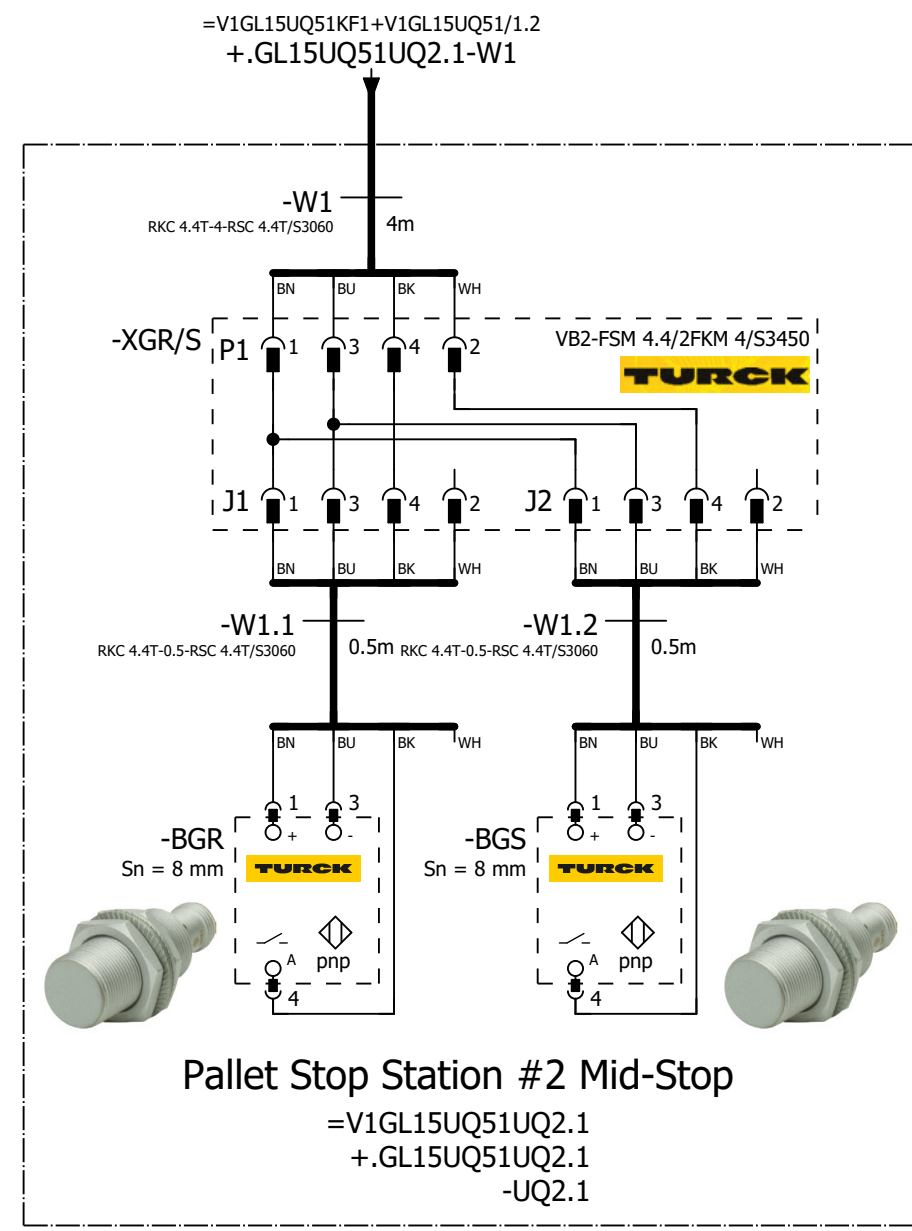
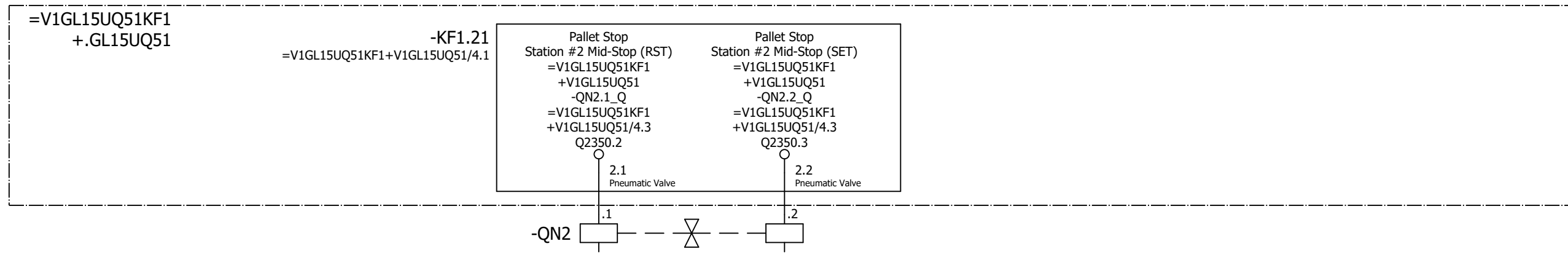
=V1GL15UQ51
-UQ1.1-BGR
Pallet Stop Station
#1 Load

=V1GL15UQ51
-UQ1.1-BGS
Pallet Stop Station
#1 Load

=V1GL15UQ51KF1+V1GL15UQ51/4

=V1GL15UQ51UQ2+.GL15UQ51UQ2/1

Date: 1/17/2023		Volvo Trucks North America		Valiant TMS		FESTO DQ CONNECTION QN1		Drawing name: = 2V07&EFS-EL		= V1GL15UQ51UQ1	
Ed.: MKLEPADLO		P6700 Roof Inr & Dr Ring LH - Cell 2V07		Scale 1:1				Document type: EFS		Project nr: 22-16144	
Appr:		Replacement of		Replaced by				Page		1	
Modification		Date		Name		Original		Page		509	



Pallet Stop Station #2 Mid-Stop
 =V1GL15UQ51UQ2.1
 +.GL15UQ51UQ2.1
 -UQ2.1

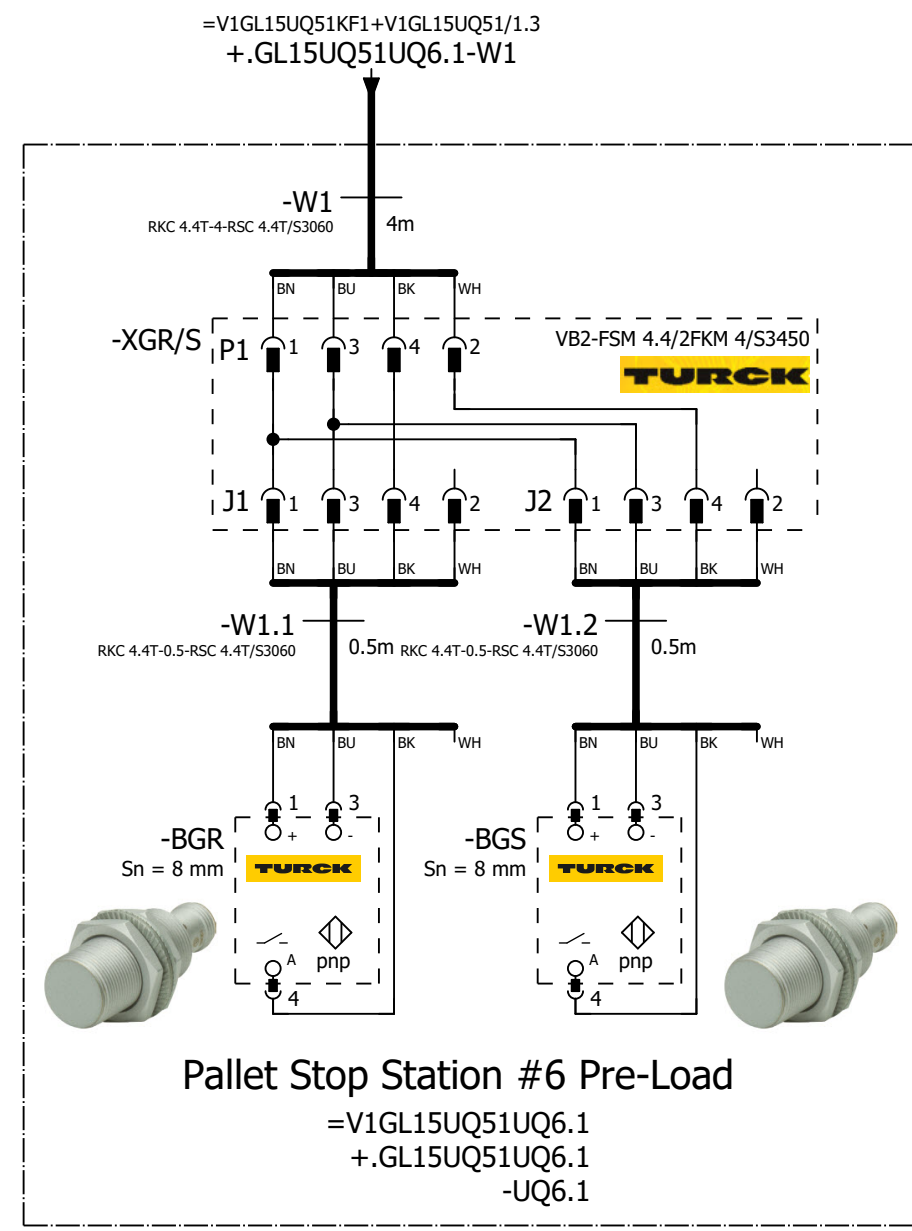
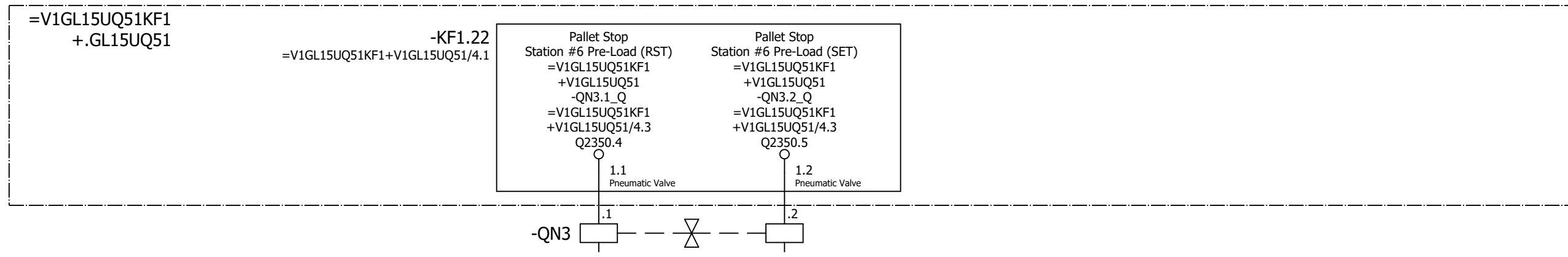
=V1GL15UQ51
 -UQ2.1-BGR
 Pallet Stop Station
 #2 Mid-Stop

=V1GL15UQ51
 -UQ2.1-BGS
 Pallet Stop Station
 #2 Mid-Stop

=V1GL15UQ51UQ1+.GL15UQ51UQ1/1

=V1GL15UQ51UQ6+.GL15UQ51UQ6/1

Date: 1/17/2023			Volvo Trucks North America		Valiant TMS		FESTO DQ CONNECTION QN2		Drawing name: =2V07&EFS-EL		= V1GL15UQ51UQ2 + V1GL15UQ51UQ2	
Ed.: MKLEPADLO			P6700 Roof Inr & Dr Ring LH - Cell 2V07		Scale 1:1				Document type: EFS		Project nr: 22-16144	
Appr:			Replacement of		Replaced by				Page		1	
Modification			Date		Name		Original		Page		509	



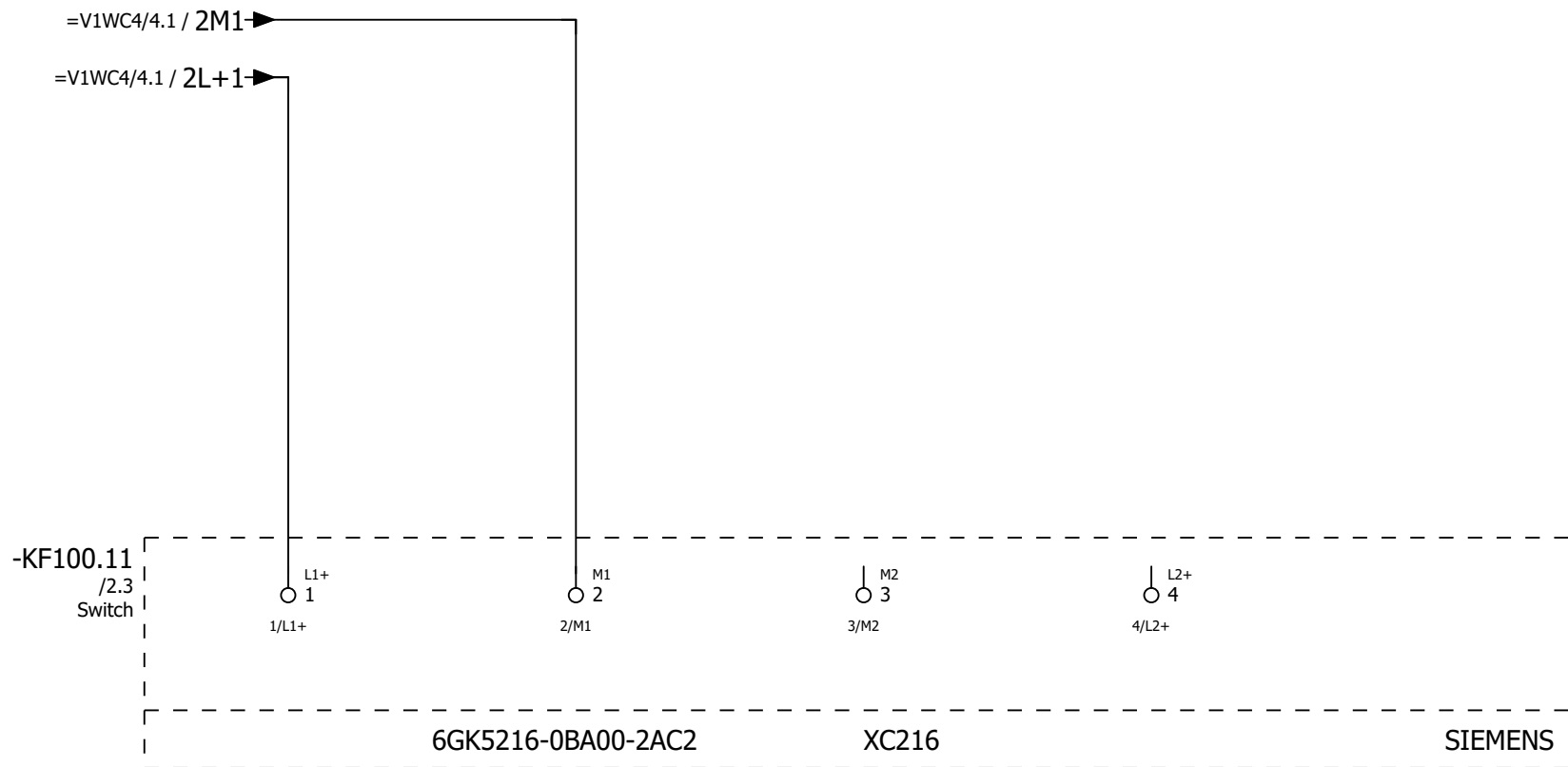
=V1GL15UQ51
-UQ6.1-BGR
Pallet Stop Station
#6 Pre-Load

=V1GL15UQ51
-UQ6.1-BGS
Pallet Stop Station
#6 Pre-Load

=V1GL15UQ51UQ2+.GL15UQ51UQ2/1

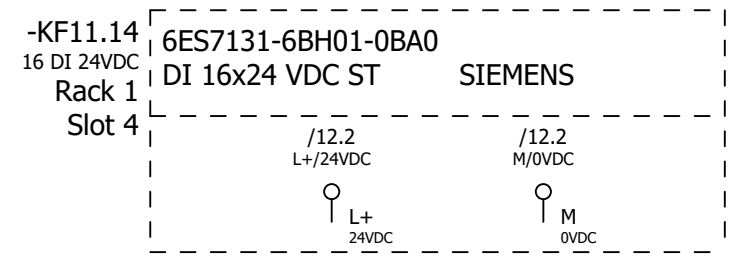
=V1GL15UQ51UQx+.GL15UQ51UQx/1

Date 1/17/2023			Volvo Trucks North America		Valiant TMS		FESTO DQ CONNECTION QN3		Drawing name: =2V07&EFS-EL		= V1GL15UQ51UQ6	
Ed. MKLEPADLO			P6700 Roof Inr & Dr Ring LH - Cell 2V07		Scale 1:1				Document type: EFS		= V1GL15UQ51UQ6	
Appr.			Replacement of		Replaced by				Project nr: 22-16144		Page 1	
Modification			Date		Name		Original		1		509	

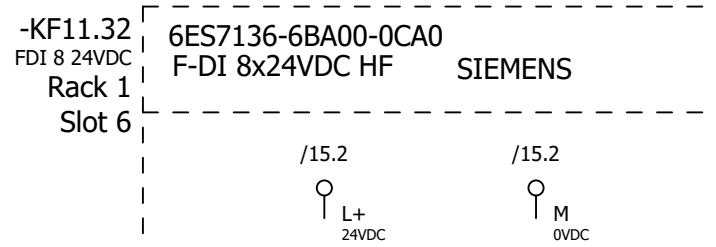
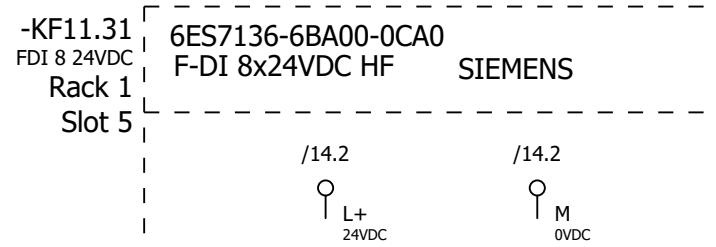


=V1GL15UQ51UQx+.GL15UQ51UQx/1

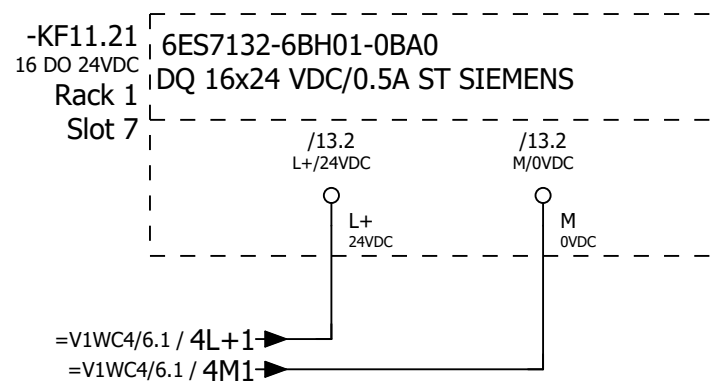
		Date	1/17/2023	Volvo Trucks North America	Valiant TMS	Switch, Scalance X216	Drawing name:		= V1KF1	Page	1
		Ed.	MKLEPADLO				=2V07&EFS-EL		+ V1UC11		
		Appr		P6700 Roof Inr & Dr Ring LH - Cell 2V07	Scale 1:1		Document type:	Project nr:		Page	1
Modification	Date	Name	Original	Replacement of			Replaced by	EFS	22-16144		



		Date	1/17/2023	Volvo Trucks North America	Valiant TMS	ET200S Wiring DI	Drawing name:		= V1KF1
		Ed.	MKLEPADLO				=2V07&EFS-EL		+ V1UC11
		Appr		P6700 Roof Inr & Dr Ring LH - Cell 2V07	Scale 1:1		Document type:	Project nr:	Page
Modification	Date	Name	Original	Replacement of			Replaced by	EFS	22-16144
									509



Date	1/17/2023	Volvo Trucks North America	Valiant TMS	ET200S Wiring F-DI	Drawing name:	= V1KF1		
Ed.	MKLEPADLO	P6700 Roof Inr & Dr Ring LH - Cell 2V07	Scale 1:1		= 2V07&EFS-EL	+ V1UC11		
Appr					Document type:	Project nr:	Page	6
Modification	Date	Name	Original	Replacement of	Replaced by	EFS	22-16144	509

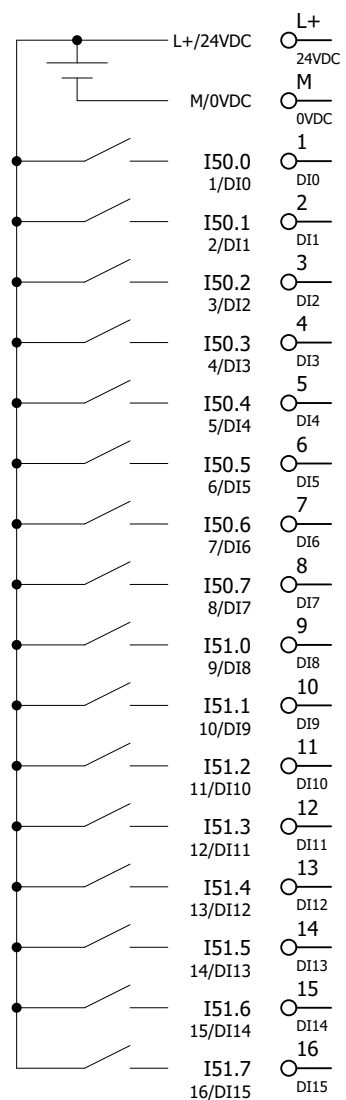


			Date	1/17/2023	Volvo Trucks North America	Valiant TMS	ET200S Wiring DQ	Drawing name:		= V1KF1	
			Ed.	MKLEPADLO				=2V07&EFS-EL		+ V1UC11	
			Appr					Document type:	EFS	Project nr:	22-16144
Modification	Date	Name	Original		Replacement of	Replaced by	Scale 1:1			Page	7
											509

-KF11.11
/4.0

ET 200SP
DI 16x24 VDC ST

SIEMENS



/4.1
/4.2
=V1WC2/41.2
=V1WC2/41.3
=V1WC4/1.4
=V1WC4/11.4
=V1WC4/1.0
=V1WC4/11.0
=V1WC2/41.7
=V1WC2/41.8
=V1WC2/41.2
=V1WC2/41.3
=V1WC2/41.4
=V1WC2/41.4
=V1WC2/41.5
=V1WC2/41.6
=V1WC2/41.7
=V1WC2/41.8

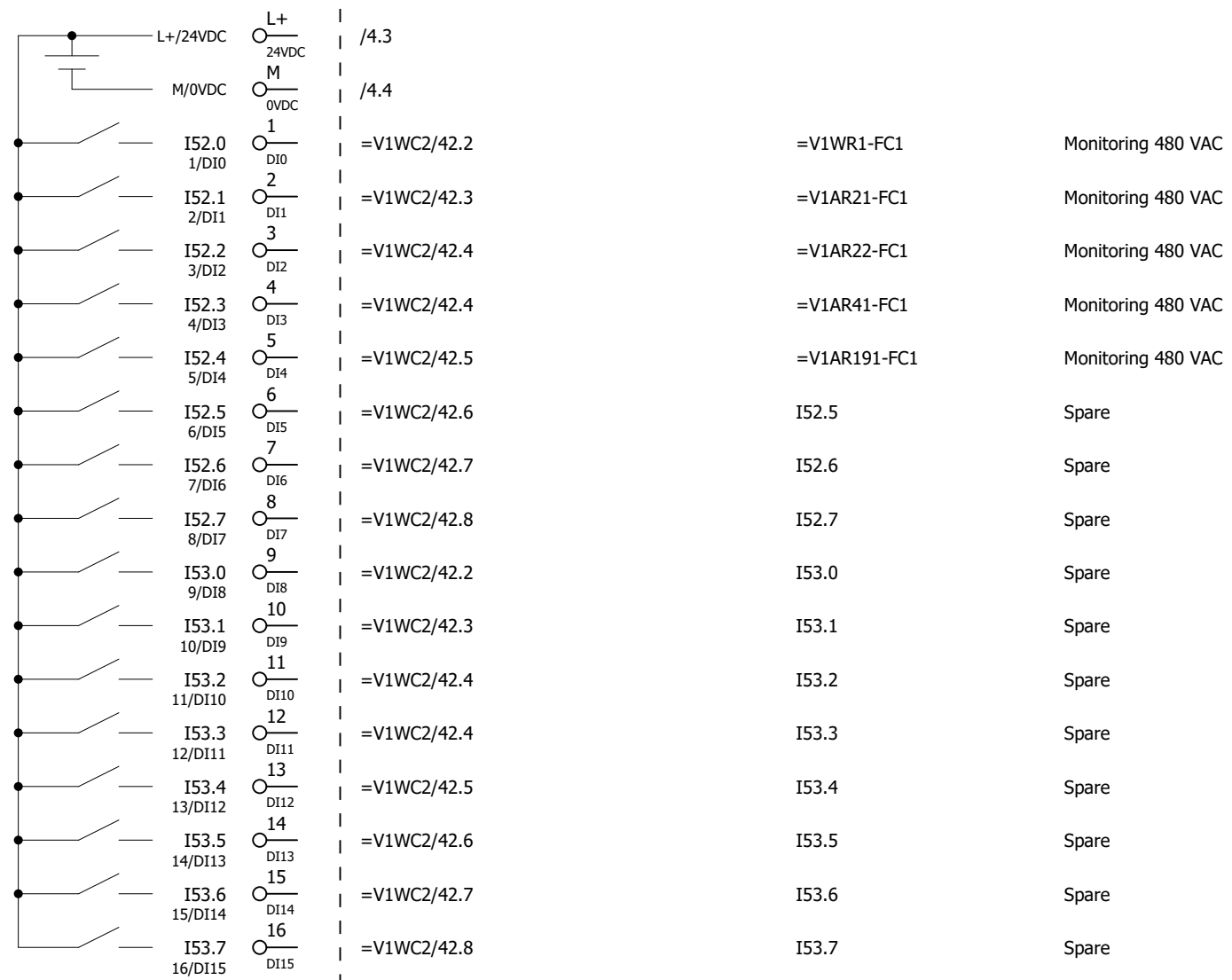
I50.0	Spare
=V1UC11-FC1	Monitoring 480 VAC
=V1WC4+V1UC11-TA1_I	Monitoring 24VDC
=V1WC4+V1UC11-TA2_I	Monitoring 24VDC
=V1WC4+V1UC11-FC11_I	Monitoring 24VDC
=V1WC4+V1UC11-FC12_I	Monitoring 24VDC
I50.6	Spare
I50.7	Spare
I51.0	Spare
I51.1	Spare
I51.2	Spare
I51.3	Spare
I51.4	Spare
I51.5	Spare
I51.6	Spare
I51.7	Spare

6ES7131-6BH01-0BA0

-KF11.12
/4.3

ET 200SP
DI 16x24 VDC ST

SIEMENS

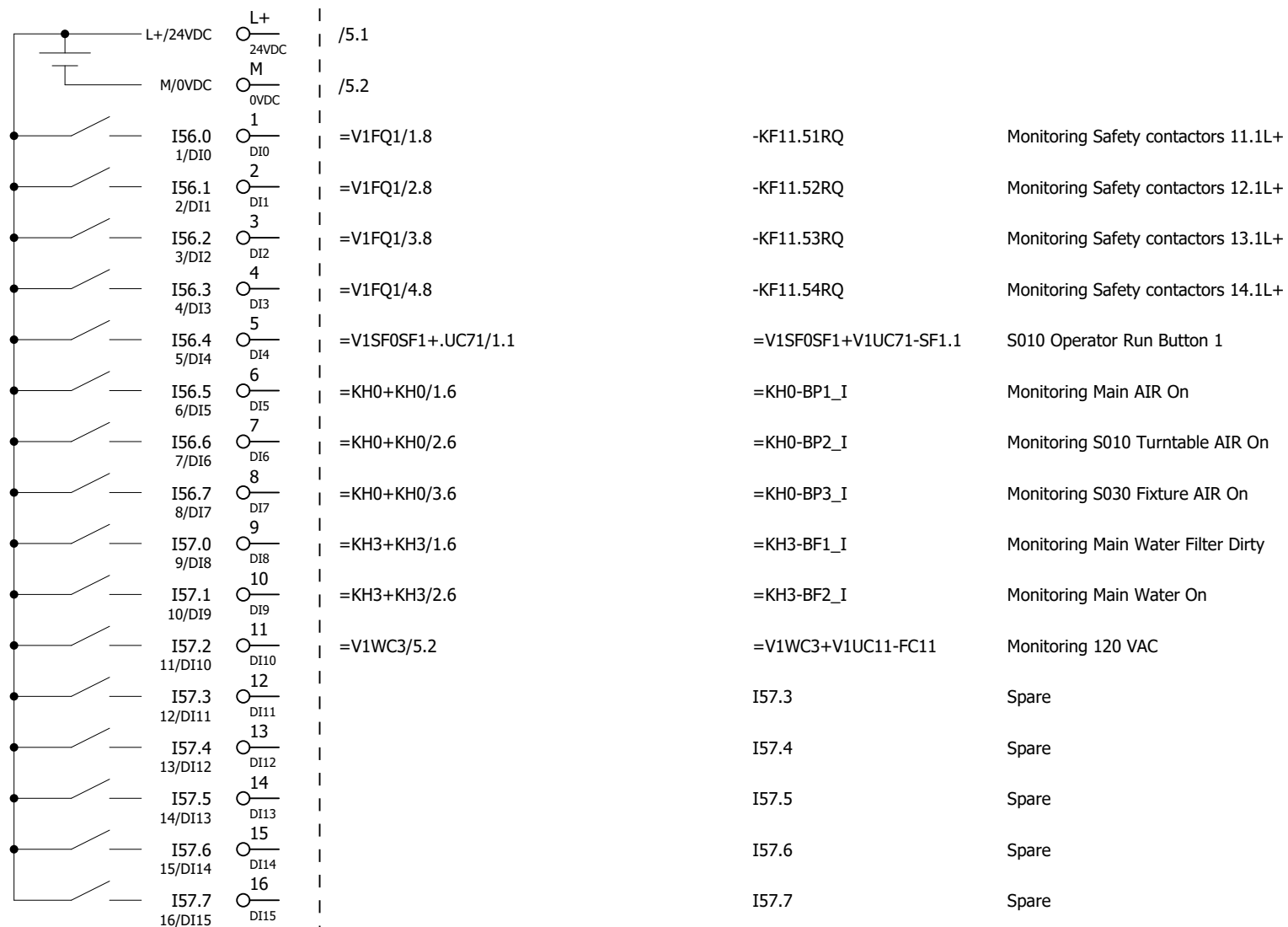


6ES7131-6BH01-0BA0

-KF11.14
/5.0

ET 200SP
DI 16x24 VDC ST

SIEMENS

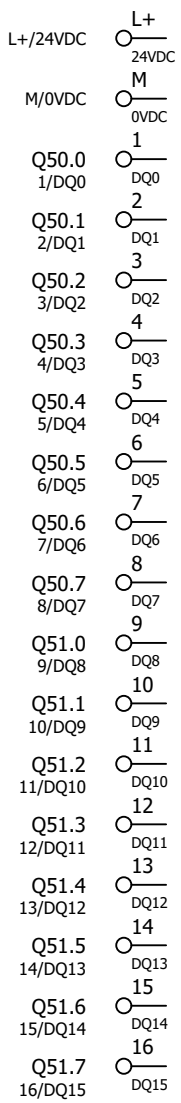
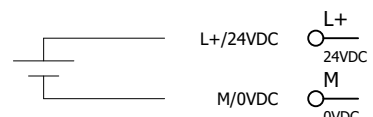


6ES7131-6BH01-0BA0

-KF11.21
/7.1
16 DO 24VDC

ET 200SP
DQ 16x24 VDC/0,5A ST

SIEMENS



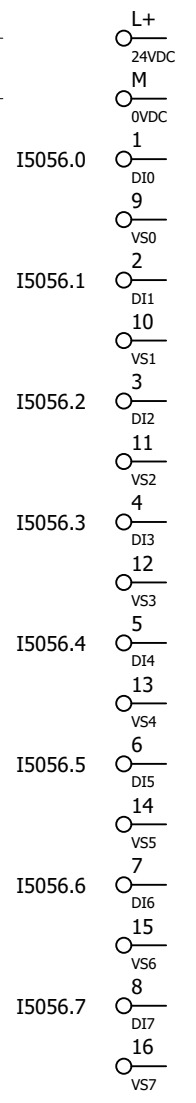
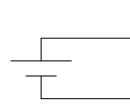
Q50.0 1/DQ0	1	=V1PZ1PF1+.UC61/1.3	=V1PZ1+UC61-PF1_1	S010 Indication column Blue
Q50.1 2/DQ1	2	=V1PZ1PF1+.UC61/1.4	=V1PZ1+UC61-PF1_2	S010 Indication column Green
Q50.2 3/DQ2	3	=V1PZ1PF1+.UC61/1.4	=V1PZ1+UC61-PF1_3	S010 Indication column Yellow
Q50.3 4/DQ3	4	=V1PZ1PF1+.UC61/1.5	=V1PZ1+UC61-PF1_4	S010 Indication column Red
Q50.4 5/DQ4	5	=V1PZ1PF1+.UC61/1.6	=V1PZ1+UC61-PF1_5	S010 Indication column Siren
Q50.5 6/DQ5	6			
Q50.6 7/DQ6	7			
Q50.7 8/DQ7	8			
Q51.0 9/DQ8	9			
Q51.1 10/DQ9	10			
Q51.2 11/DQ10	11		Q51.2	Spare
Q51.3 12/DQ11	12		Q51.3	Spare
Q51.4 13/DQ12	13		Q51.4	Spare
Q51.5 14/DQ13	14		Q51.5	Spare
Q51.6 15/DQ14	15		Q51.6	Spare
Q51.7 16/DQ15	16		Q51.7	Spare

6ES7132-6BH01-0BA0

-KF11.32
/6.3

ET 200SP
F-DI 8x24VDC HF

SIEMENS



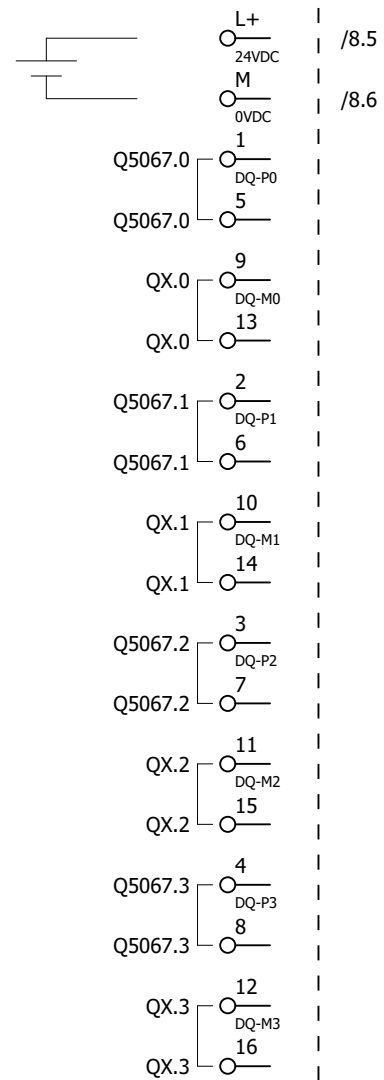
	L+	/6.3		
	M	/6.4		
I5056.0	1 DI0	=V1U10FQ1+.U10/1.3	=V1FQ1-BG01	S010 Lift Assist Clear Ch1
	9 VS0	=V1U10FQ1+.U10/1.3		
I5056.1	2 DI1	=V1U50FQ1+.U50/1.3	=V1FQ1-BG02	S050 Lift Assist Clear Ch1
	10 VS1	=V1U50FQ1+.U50/1.3		
I5056.2	3 DI2		I5056.2	Spare
	11 VS2			
I5056.3	4 DI3		I5056.3	Spare
	12 VS3			
I5056.4	5 DI4	=V1U10FQ1+.U10/1.4	=V1FQ1-BG01	S010 Lift Assist Clear Ch2
	13 VS4	=V1U10FQ1+.U10/1.5		
I5056.5	6 DI5	=V1U50FQ1+.U50/1.4	=V1FQ1-BG02	S050 Lift Assist Clear Ch2
	14 VS5	=V1U50FQ1+.U50/1.5		
I5056.6	7 DI6		I5056.6	Spare
	15 VS6			
I5056.7	8 DI7		I5056.7	Spare
	16 VS7			

6ES7136-6BA00-OCA0

-KF11.42
/8.5

ET 200SP
F-DQ 4X24VDC/2A PM HF

SIEMENS

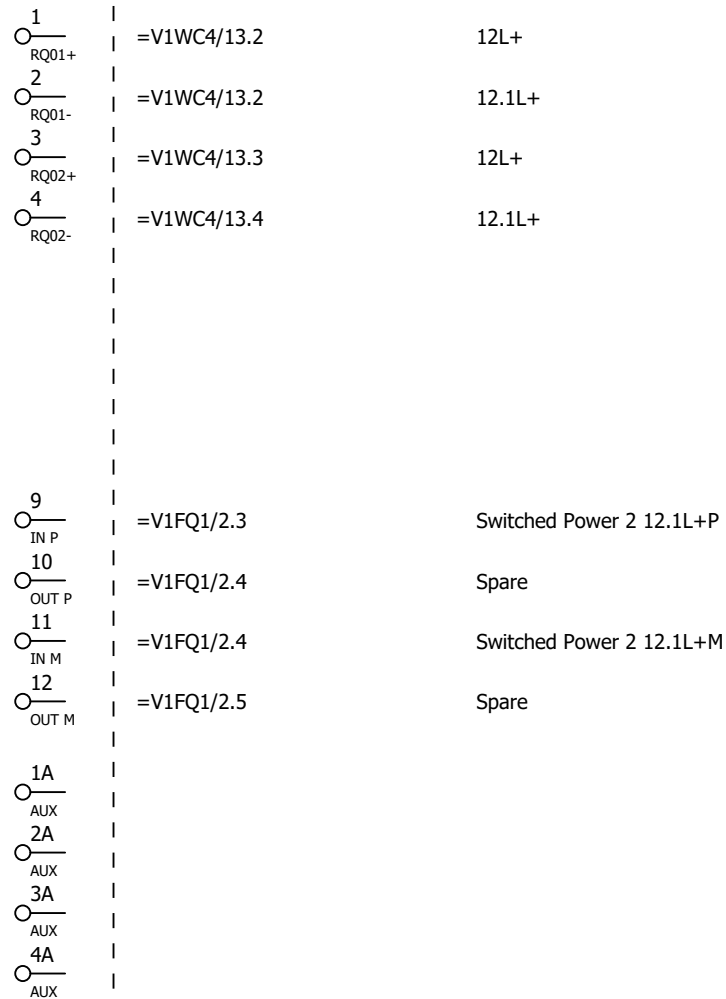


6ES7136-6DB00-0CA0 + BU15-P16+A0+2B

Q5067.0	Q5067.0	Spare
Q5067.1	Q5067.1	Spare
Q5067.2	Q5067.2	Spare
Q5067.3	Q5067.3	Spare

-KF11.52
 =V1FQ1/2.2
 =V1WC4/13.1

ET 200SP SIEMENS
 F-RQ 1x24VDC/24..230VAC/5A

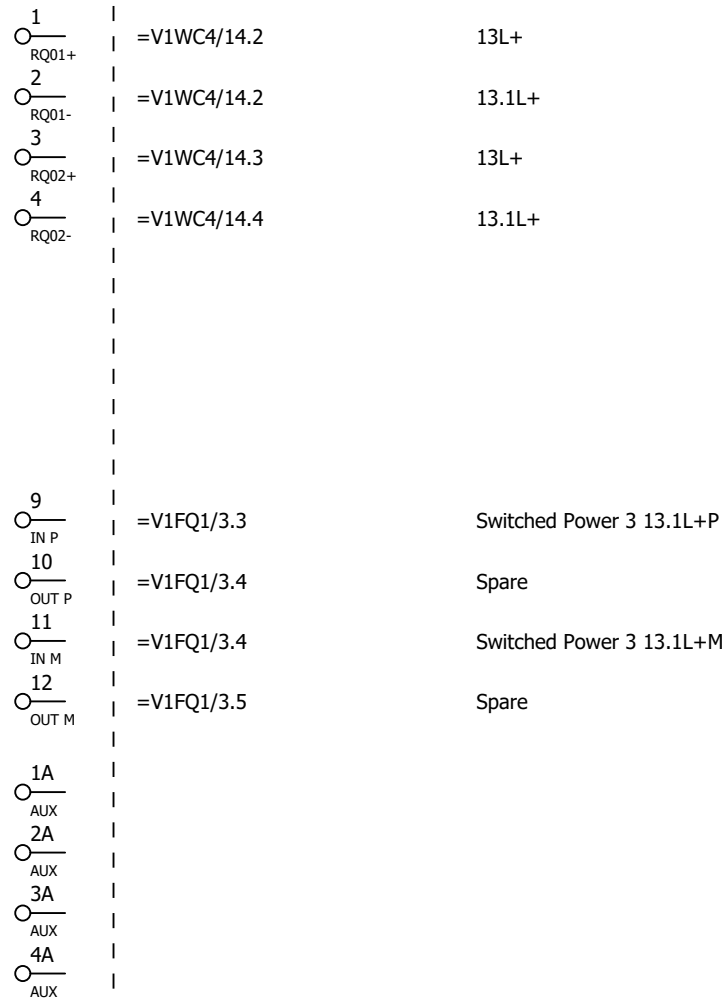


6ES7136-6RA00-0BF0 + BU20-P8+A4+0B

		Date	1/17/2023	Volvo Trucks North America	Valiant TMS	ET200S F-RQ Overview KF11.52	Drawing name:		= V1KF1
		Ed.	MKLEPADLO				=2V07&EFS-EL		+ V1UC11
		Appr		P6700 Roof Inr & Dr Ring LH - Cell 2V07	Scale 1:1		Document type:	Project nr:	Page
Modification	Date	Name	Original	Replacement of			Replaced by	EFS	22-16144
									509

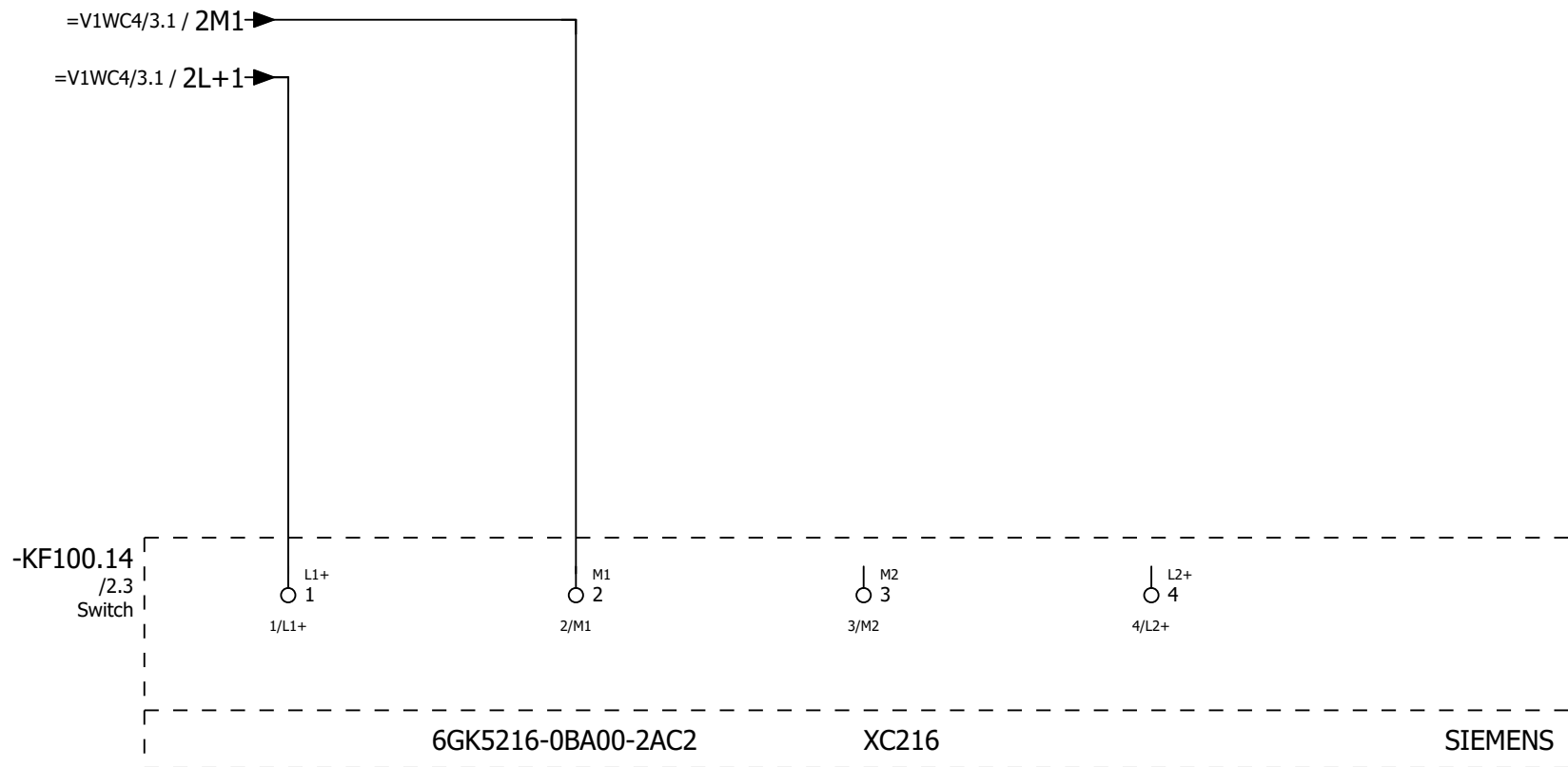
-KF11.53
 =V1FQ1/3.2
 =V1WC4/14.1

ET 200SP SIEMENS
 F-RQ 1x24VDC/24..230VAC/5A

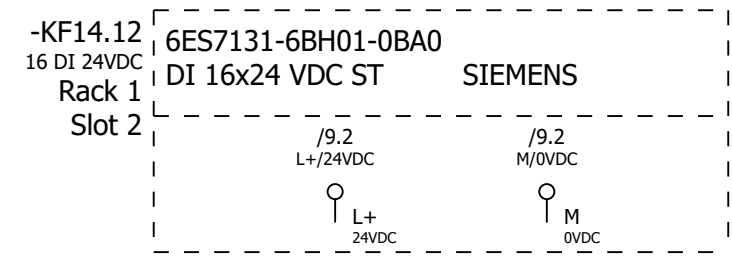
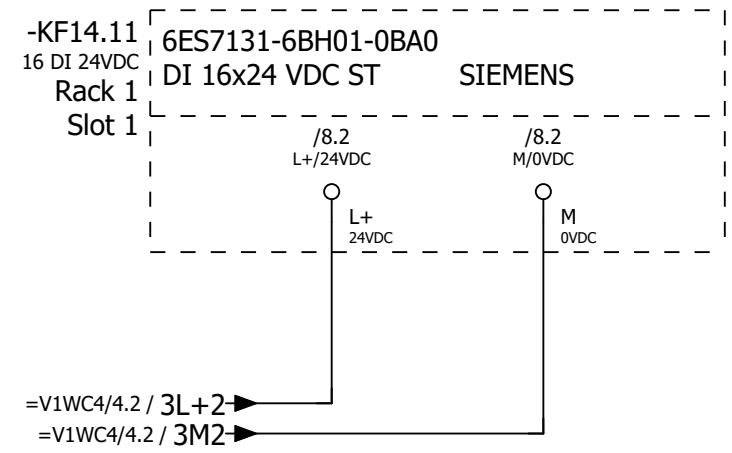



6ES7136-6RA00-0BF0 + BU20-P8+A4+0B

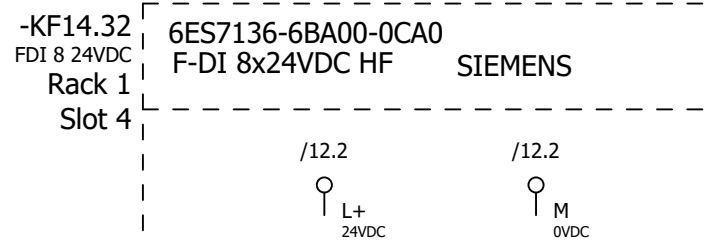
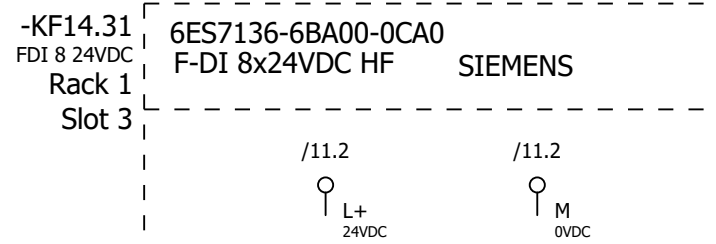
Date		1/17/2023	Volvo Trucks North America		Valiant TMS	ET200S F-RQ Overview KF11.53	Drawing name:		= V1KF1
Ed.		MKLEPADLO	P6700 Roof Inr & Dr Ring LH - Cell 2V07				=2V07&EFS-EL		+ V1UC11
Appr			Replacement of		Scale 1:1		Document type:	Project nr:	Page
Modification	Date	Name	Original	Replaced by			EFS	22-16144	20
									509



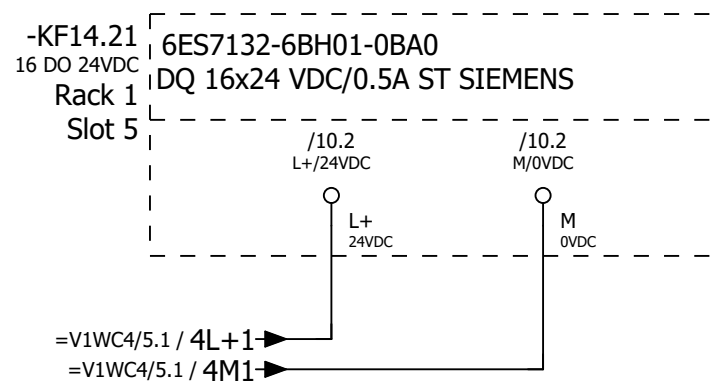
		Date	1/17/2023	Volvo Trucks North America	Valiant TMS	Switch, Scalance XC216	Drawing name:		= V1KF1	Page	1
		Ed.	MKLEPADLO				=2V07&EFS-EL		+ V1UC14		
		Appr		P6700 Roof Inr & Dr Ring LH - Cell 2V07	Scale 1:1		Document type:	Project nr:		Page	1
Modification	Date	Name	Original	Replacement of			Replaced by	EFS	22-16144		



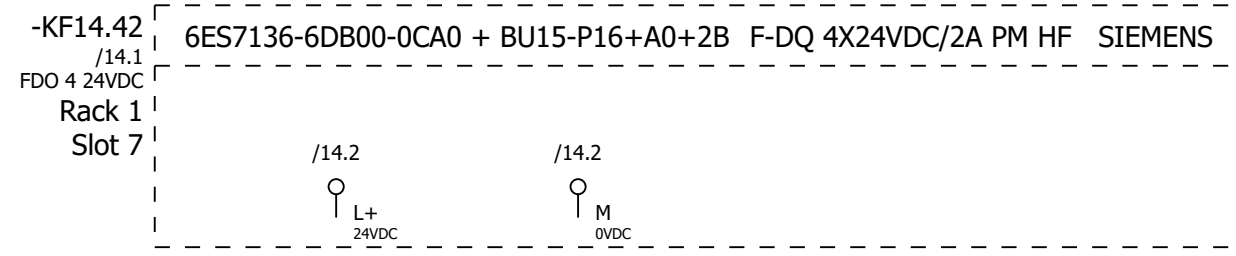
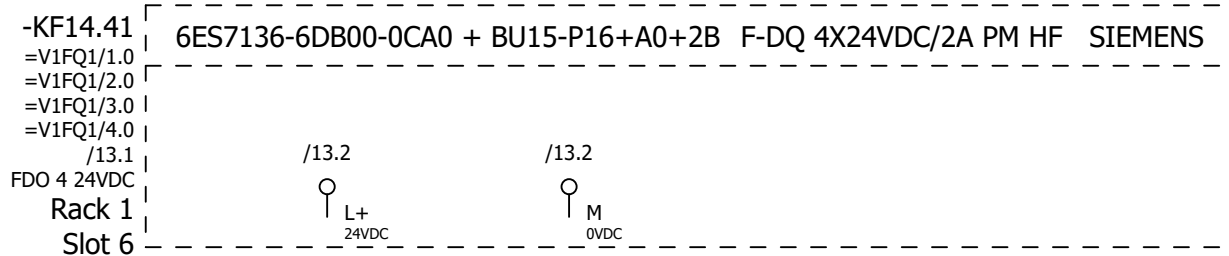
			Date	1/17/2023	Volvo Trucks North America	Valiant TMS	ET200S Wiring DI	Drawing name: =2V07&EFS-EL		= V1KF1	
			Ed.	MKLEPADLO		Scale 1:1		Document type: EFS		Project nr: 22-16144	Page 4
Modification	Date	Name	Original	Replacement of				Replaced by			



Date	1/17/2023	Volvo Trucks North America	Valiant TMS	ET200S Wiring F-DI	Drawing name:	= V1KF1		
Ed.	MKLEPADLO	P6700 Roof Inr & Dr Ring LH - Cell 2V07	Scale 1:1		= 2V07&EFS-EL	+ V1UC14		
Appr					Document type:	Project nr:	Page	5
Modification	Date	Name	Original	Replacement of	Replaced by	EFS	22-16144	509



			Date	1/17/2023	Volvo Trucks North America	Valiant TMS	ET200S Wiring DQ	Drawing name:		= V1KF1	
			Ed.	MKLEPADLO				=2V07&EFS-EL		+ V1UC14	
			Appr					Document type:	EFS	Project nr:	22-16144
Modification	Date	Name	Original		Replacement of	Replaced by	Scale 1:1				509

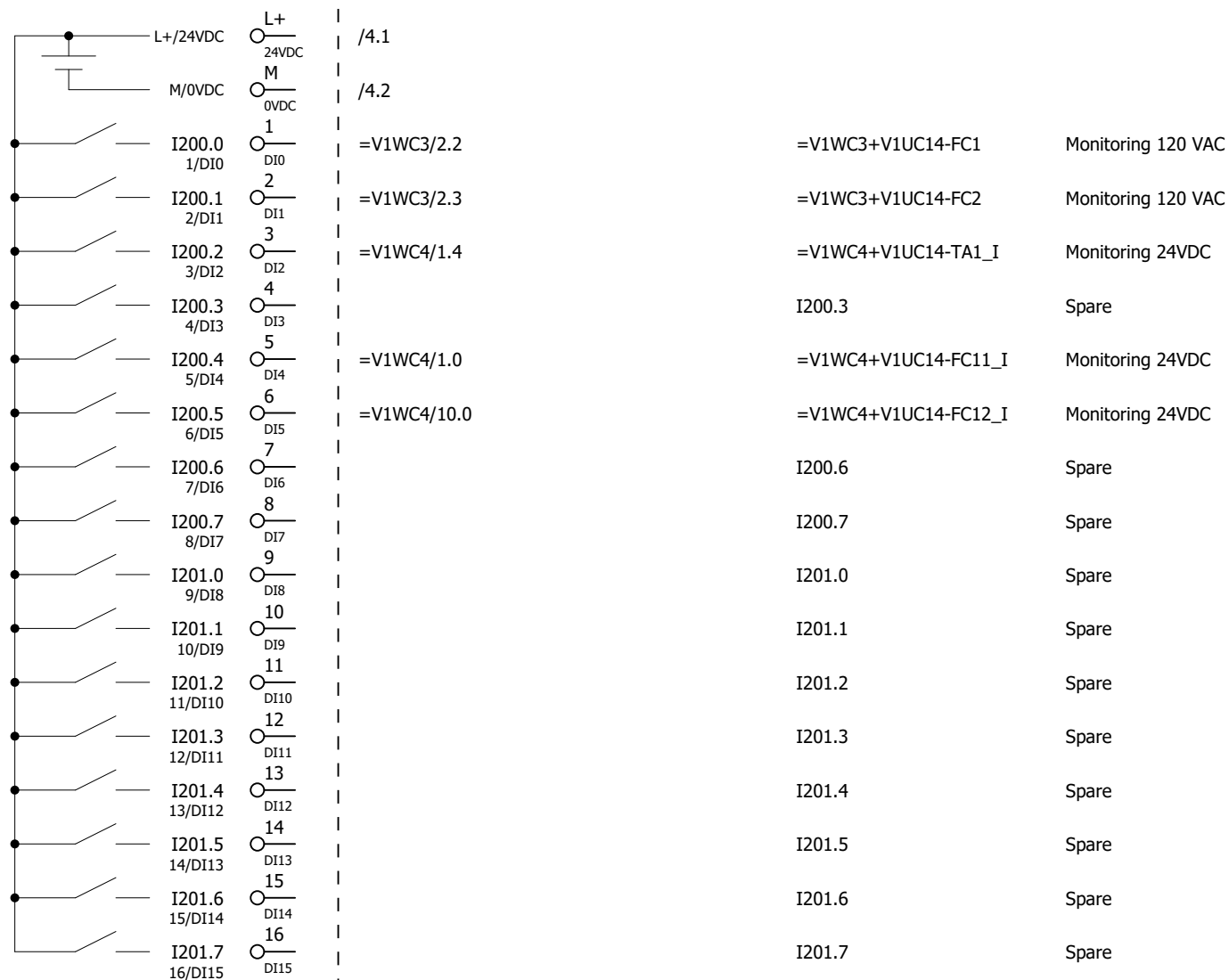


Date	1/17/2023	Volvo Trucks North America	Valiant TMS	ET200S Wiring F-DQ	Drawing name:	= V1KF1		
Ed.	MKLEPADLO	P6700 Roof Inr & Dr Ring LH - Cell 2V07	Scale 1:1		=2V07&EFS-EL	+ V1UC14		
Appr					Document type:	Project nr:	Page	7
Modification	Date	Name	Original	Replacement of	Replaced by	EFS	22-16144	509

-KF14.11
/4.0

ET 200SP
DI 16x24 VDC ST

SIEMENS

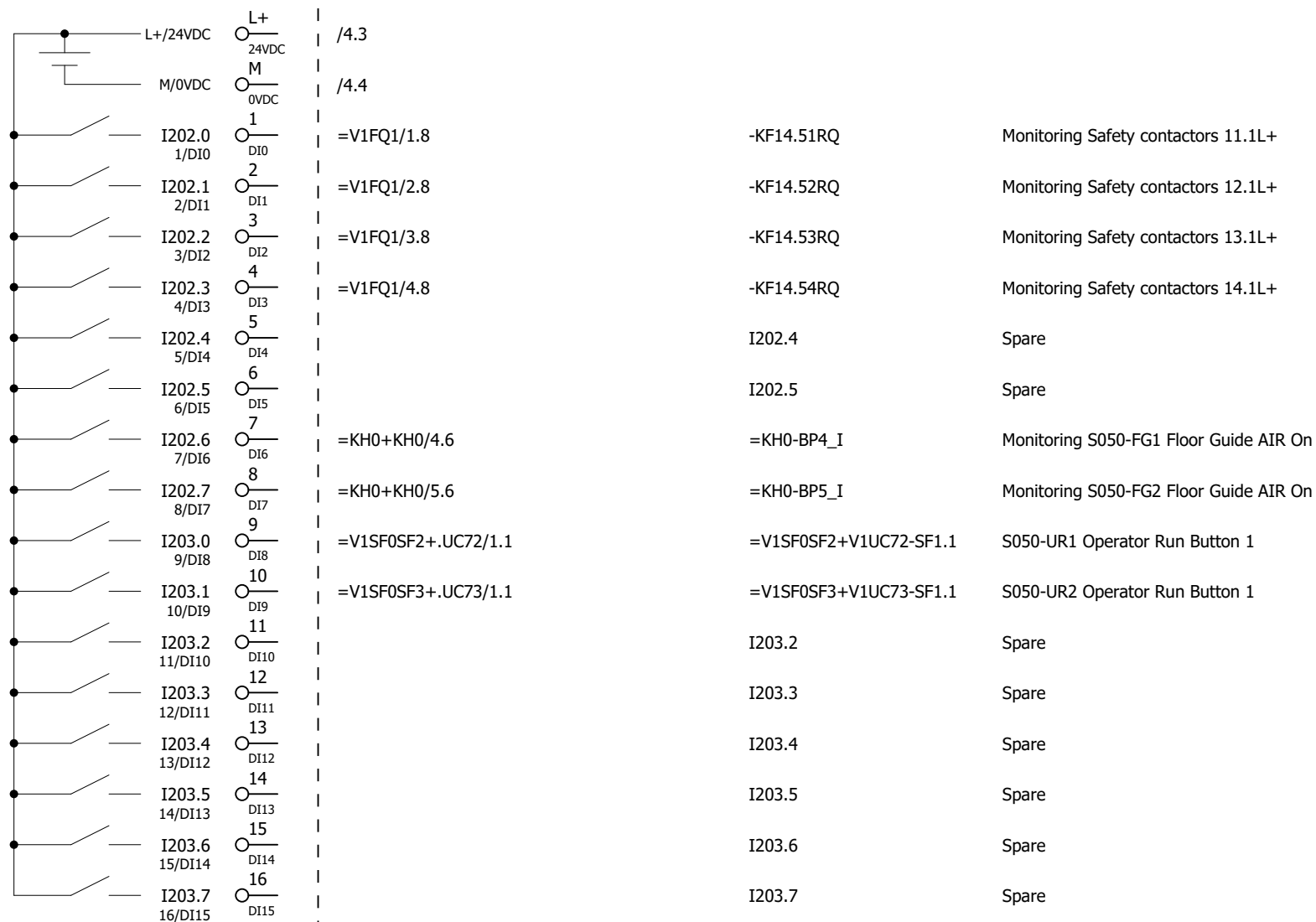


6ES7131-6BH01-0BA0

-KF14.12
/4.3

ET 200SP
DI 16x24 VDC ST

SIEMENS

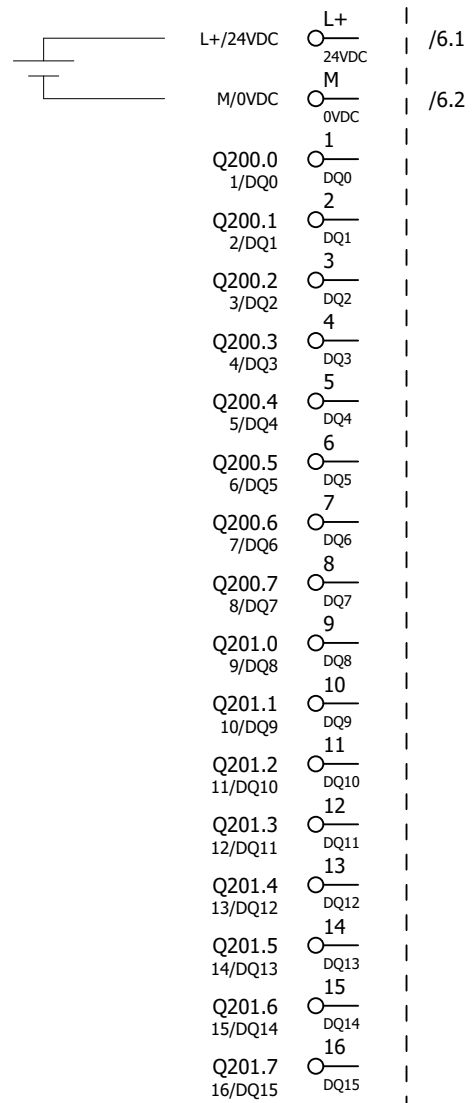


6ES7131-6BH01-0BA0

-KF14.21
/6.1
16 DO 24VDC

ET 200SP
DQ 16x24 VDC/0.5A ST

SIEMENS

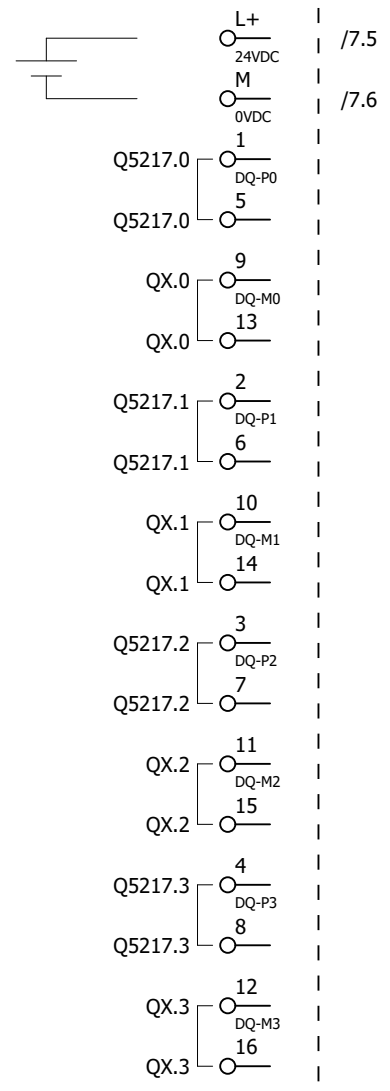
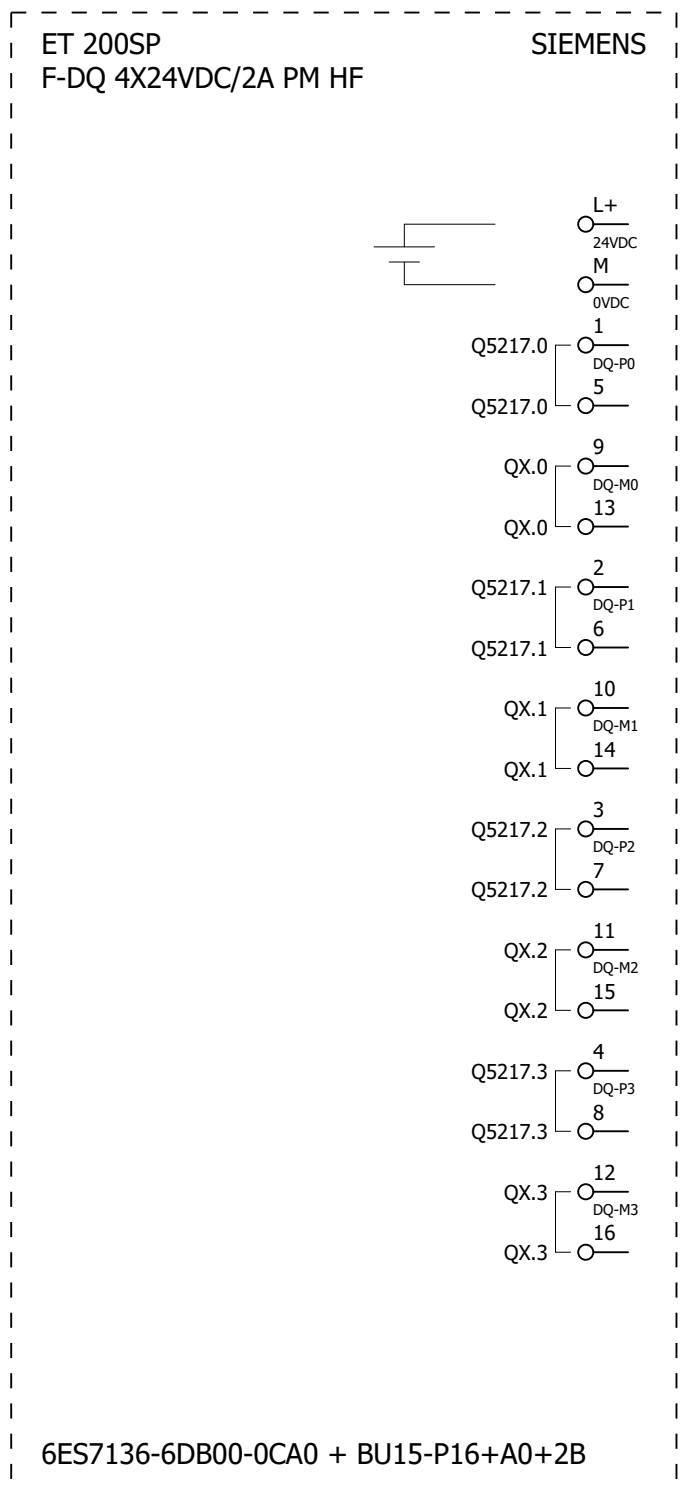


Q200.0	Q200.0	Spare
Q200.1	Q200.1	Spare
Q200.2	Q200.2	Spare
Q200.3	Q200.3	Spare
Q200.4	Q200.4	Spare
Q200.5	Q200.5	Spare
Q200.6	Q200.6	Spare
Q200.7	Q200.7	Spare
Q201.0	Q201.0	Spare
Q201.1	Q201.1	Spare
Q201.2	Q201.2	Spare
Q201.3	Q201.3	Spare
Q201.4	Q201.4	Spare
Q201.5	Q201.5	Spare
Q201.6	Q201.6	Spare
Q201.7	Q201.7	Spare

6ES7132-6BH01-0BA0

Date		1/17/2023		Volvo Trucks North America		Valiant TMS		ET200S DQ Overview KF14.21		Drawing name: =2V07&EFS-EL		= V1KF1 + V1UC14	
Ed.		MKLEPADLO		P6700 Roof Inr & Dr Ring LH - Cell 2V07		Scale 1:1				Document type: EFS		Project nr: 22-16144	
Appr				Replacement of		Replaced by				Page		10	
Modification		Date		Name		Original				Page		509	

-KF14.42
/7.5



Q5217.0 Spare

Q5217.1 Spare

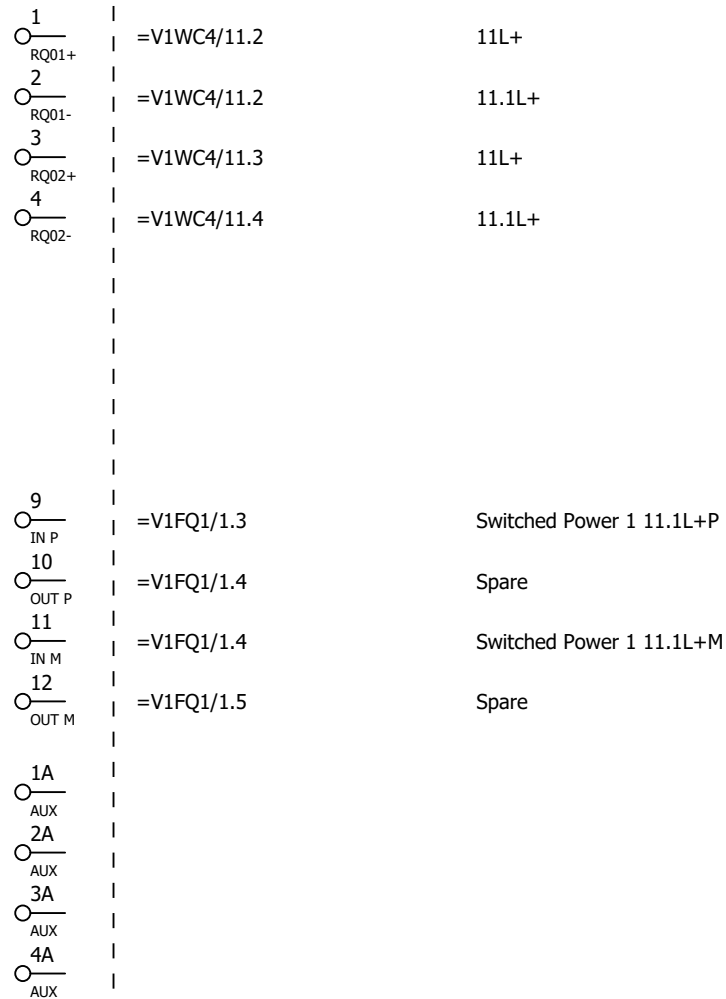
Q5217.2 Spare

Q5217.3 Spare

Date		1/17/2023		Volvo Trucks North America		Valiant TMS		ET200S F-DQ Overview KF14.42		Drawing name: =V1KF1		= V1KF1	
Ed.		MKLEPADLO		P6700 Roof Inr & Dr Ring LH - Cell 2V07						Document type: EFS		Project nr: 22-16144	
Appr				Replacement of		Replaced by		Scale 1:1		Page		14	
Modification		Date		Name		Original				Page		509	

-KF14.51
 =V1FQ1/1.2
 =V1WC4/11.1

ET 200SP SIEMENS
 F-RQ 1x24VDC/24..230VAC/5A

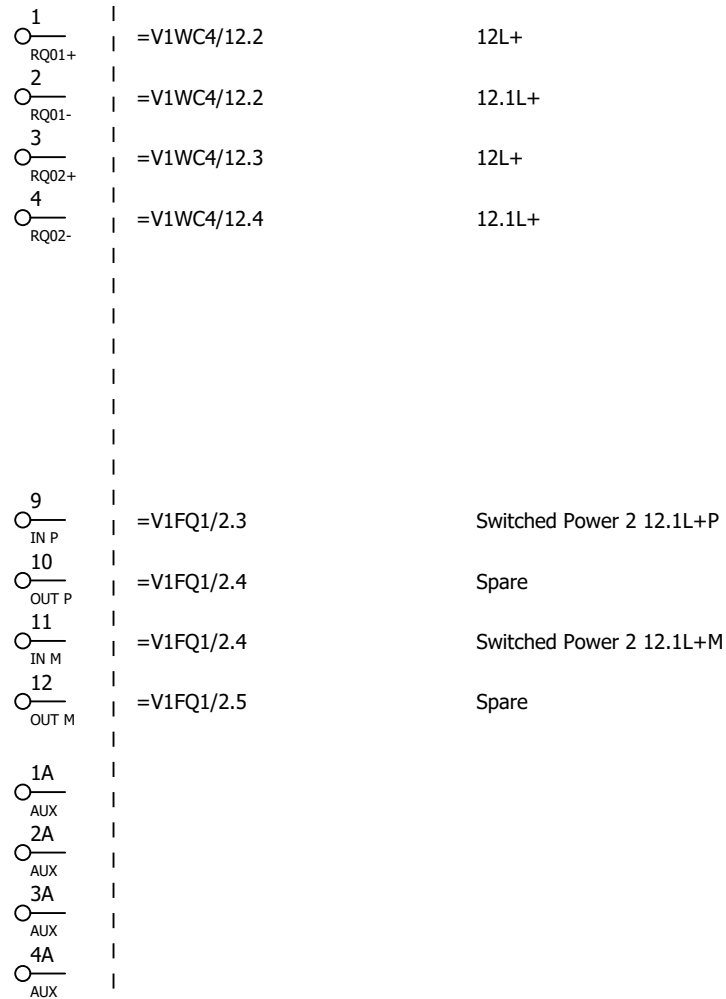


6ES7136-6RA00-0BF0 + BU20-P8+A4+0B

Date		1/17/2023		Volvo Trucks North America		Valiant TMS		ET200S F-RQ Overview KF14.51		Drawing name: =2V07&EFS-EL		= V1KF1 + V1UC14	
Ed.		MKLEPADLO		P6700 Roof Inr & Dr Ring LH - Cell 2V07		Scale 1:1				Document type: EFS		Project nr: 22-16144	
Appr				Replacement of		Replaced by				Page		15	
Modification		Date		Name		Original				Page		509	

-KF14.52
 =V1FQ1/2.2
 =V1WC4/12.1

ET 200SP SIEMENS
 F-RQ 1x24VDC/24..230VAC/5A

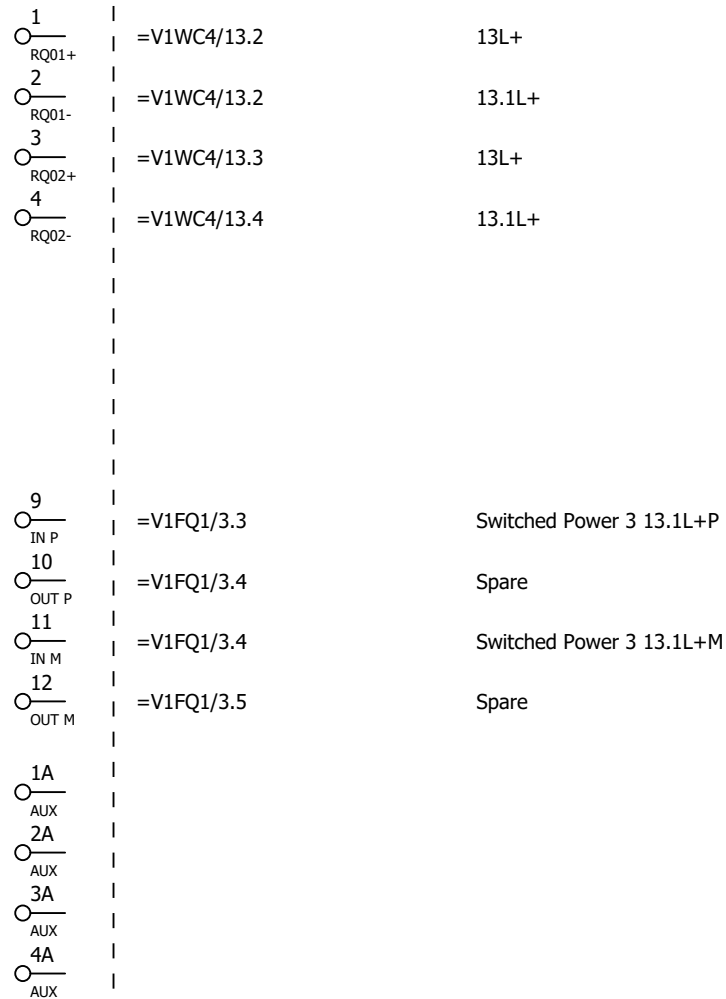


6ES7136-6RA00-0BF0 + BU20-P8+A4+0B

		Date	1/17/2023	Volvo Trucks North America	Valiant TMS	ET200S F-RQ Overview KF14.52	Drawing name:		= V1KF1
		Ed.	MKLEPADLO				=2V07&EFS-EL		+ V1UC14
		Appr		P6700 Roof Inr & Dr Ring LH - Cell 2V07	Scale 1:1		Document type:	Project nr:	Page
Modification	Date	Name	Original	Replacement of			Replaced by	EFS	22-16144
									509

-KF14.53
 =V1FQ1/3.2
 =V1WC4/13.1

ET 200SP SIEMENS
 F-RQ 1x24VDC/24..230VAC/5A

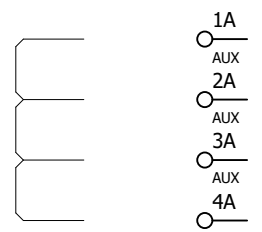
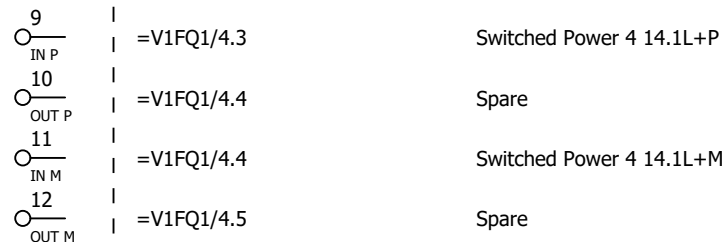
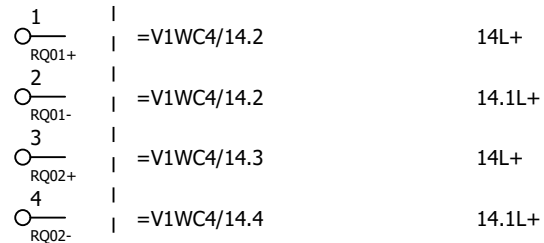


6ES7136-6RA00-0BF0 + BU20-P8+A4+0B

		Date	1/17/2023	Volvo Trucks North America	Valiant TMS	ET200S F-RQ Overview KF14.53	Drawing name:		= V1KF1
		Ed.	MKLEPADLO				=2V07&EFS-EL		+ V1UC14
		Appr		P6700 Roof Inr & Dr Ring LH - Cell 2V07	Scale 1:1		Document type:	Project nr:	Page
Modification	Date	Name	Original	Replacement of			Replaced by	EFS	22-16144
									509

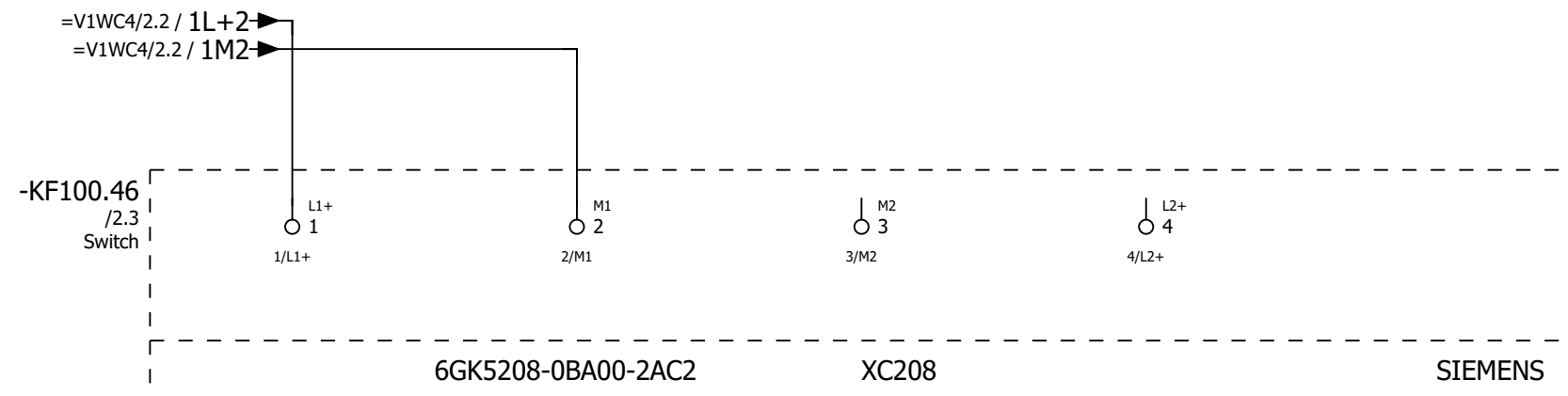
-KF14.54
 =V1FQ1/4.2
 =V1WC4/14.1

ET 200SP SIEMENS
 F-RQ 1x24VDC/24..230VAC/5A



6ES7136-6RA00-0BF0 + BU20-P8+A4+0B

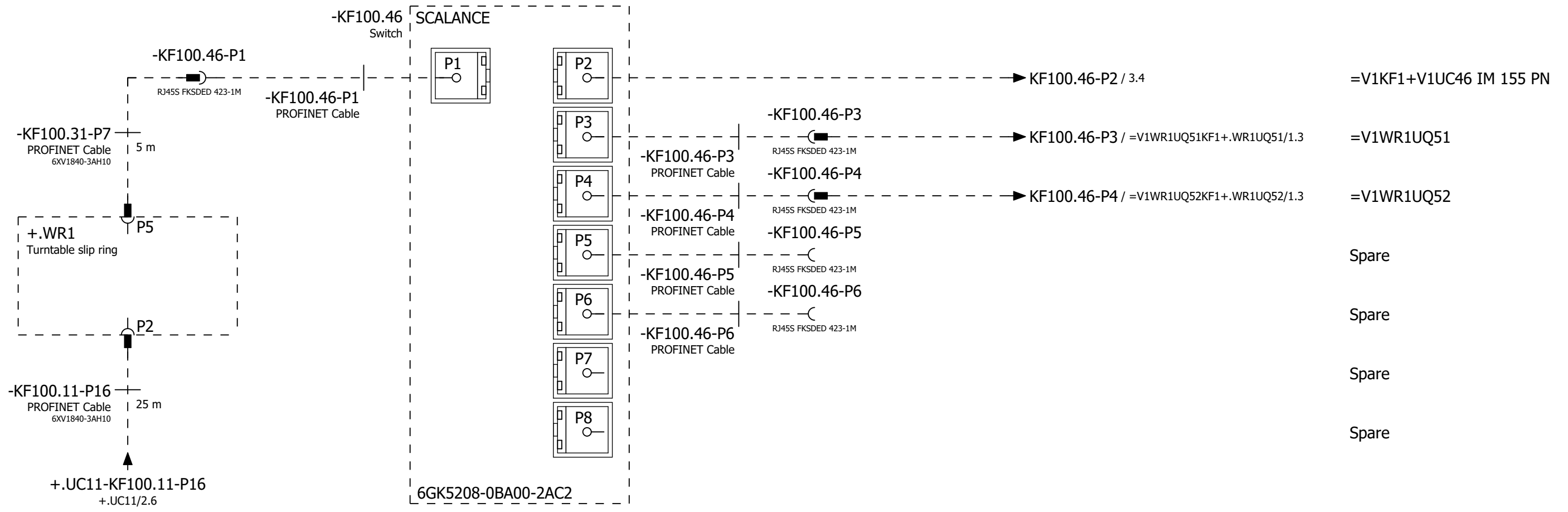
Date		1/17/2023	Volvo Trucks North America		Valiant TMS	ET200S F-RQ Overview KF14.54	Drawing name:		= V1KF1
Ed.		MKLEPADLO	P6700 Roof Inr & Dr Ring LH - Cell 2V07				=2V07&EFS-EL		+ V1UC14
Appr			Replacement of		Scale 1:1		Document type:	Project nr:	Page
Modification	Date	Name	Original	Replaced by			EFS	22-16144	18
									509



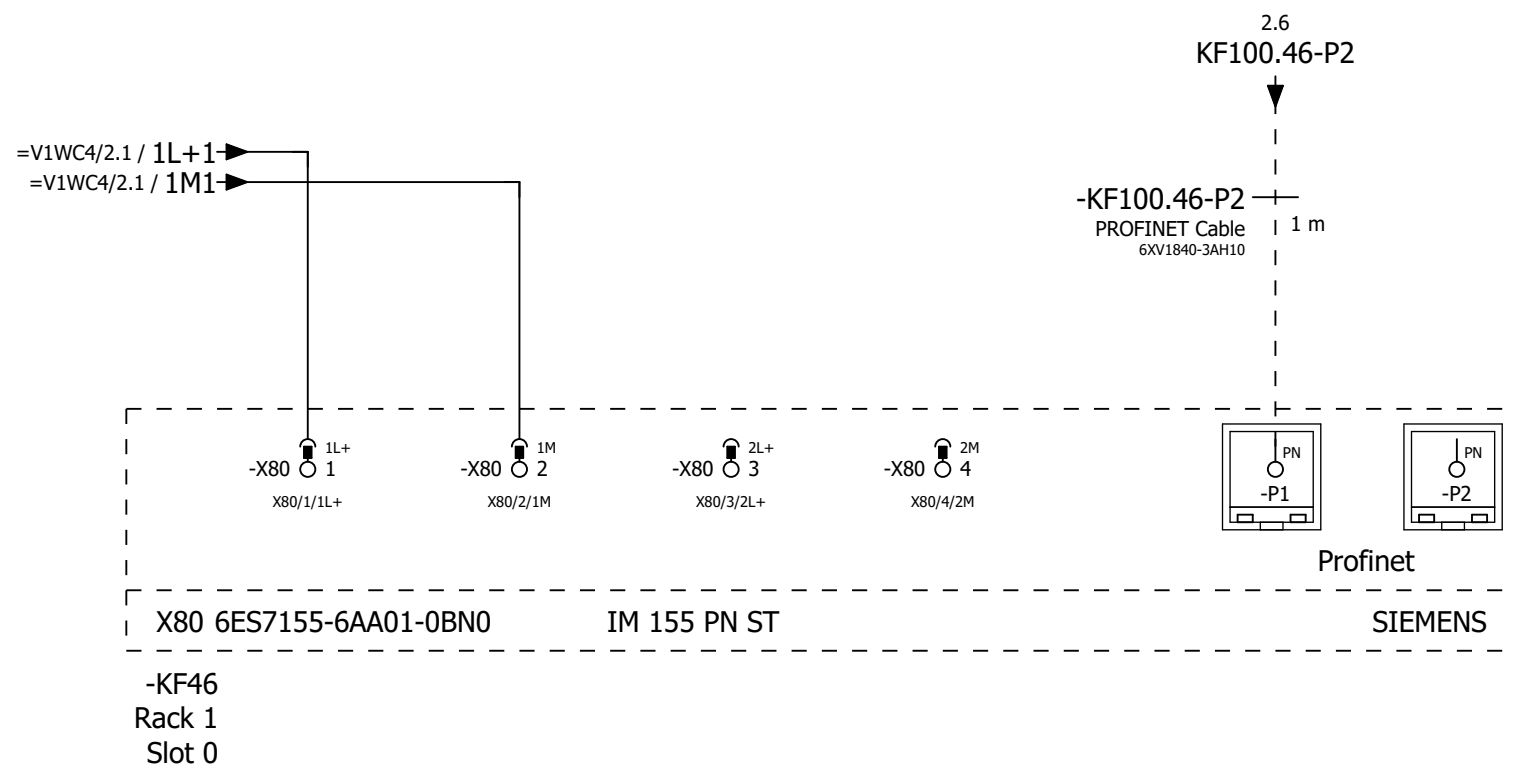
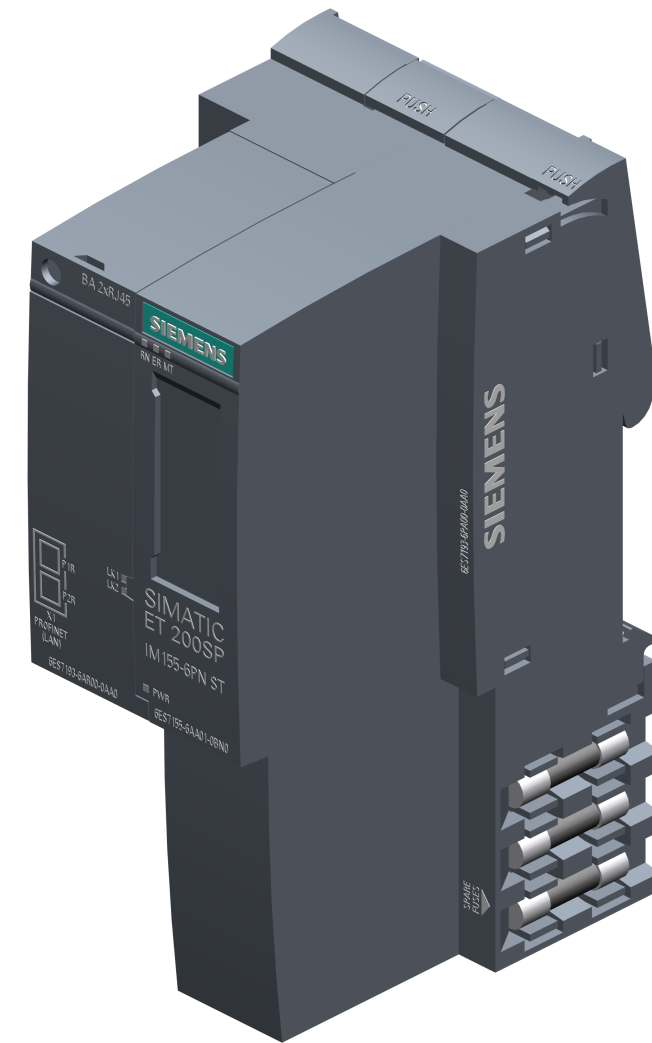
+UC14/18


2

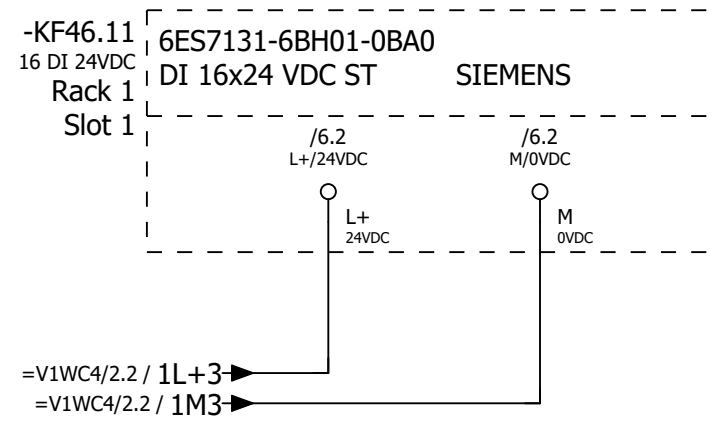
		Date	1/17/2023	Volvo Trucks North America	Valiant TMS	Switch, Scalance XC208	Drawing name:		= V1KF1
		Ed.	MKLEPADLO				=2V07&EFS-EL		+ V1UC46
		Appr		P6700 Roof Inr & Dr Ring LH - Cell 2V07	Scale 1:1		Document type:	Project nr:	Page
Modification	Date	Name	Original	Replacement of			Replaced by	EFS	22-16144
									509



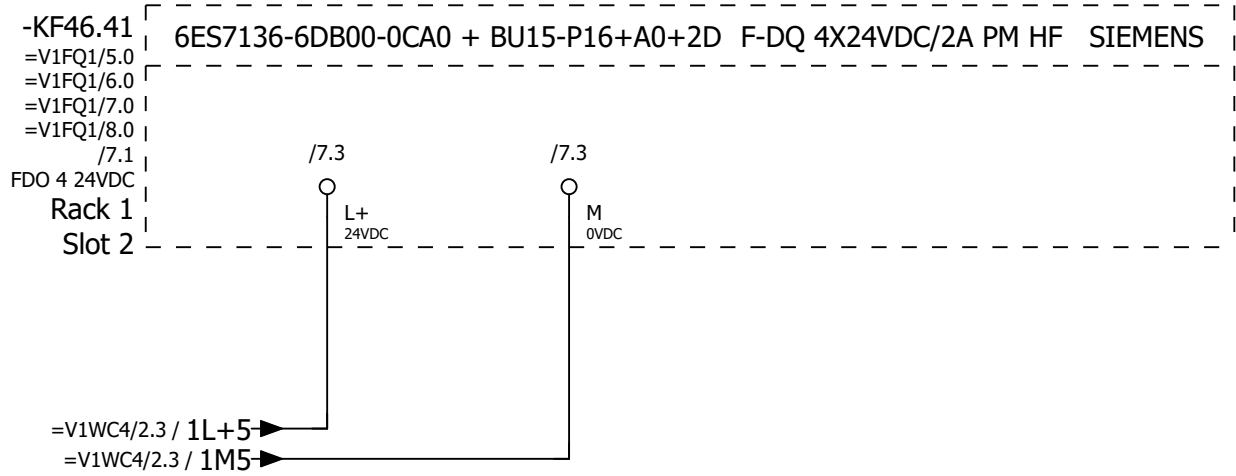
			Date	1/17/2023	Volvo Trucks North America	Valiant TMS	Network Overview	Drawing name:		= V1KF1
			Ed.	MKLEPADLO		Scale 1:1		=2V07&EFS-EL		+ V1UC46
			Appr.					Replacement of	Replaced by	Document type:
Modification	Date	Name	Original					EFS	22-16144	2
										509



		Date	1/17/2023	Volvo Trucks North America	Valiant TMS	IM 155 PN	Drawing name:	= V1KF1	
		Ed.	MKLEPADLO		Scale 1:1		=2V07&EFS-EL	+ V1UC46	
		Appr					P6700 Roof Inr & Dr Ring LH - Cell 2V07	Document type:	EFS
Modification	Date	Name	Original	Replacement of	Replaced by			Page	3
									509

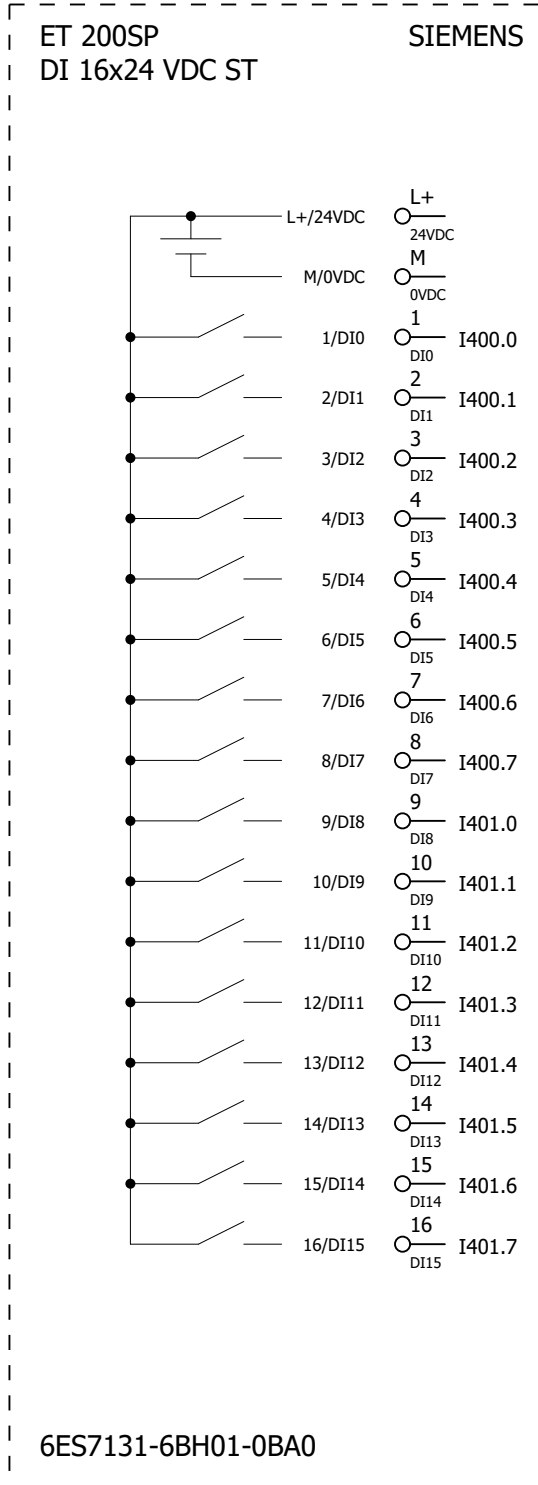


			Date	1/17/2023	Volvo Trucks North America	Valiant TMS	ET200S Wiring DI	Drawing name:		= V1KF1	
			Ed.	MKLEPADLO				=2V07&EFS-EL		+ V1UC46	
			Appr					Document type:	EFS	Project nr:	22-16144
Modification	Date	Name	Original		Replacement of	Replaced by	Scale 1:1			509	



Date	1/17/2023	Volvo Trucks North America	Valiant TMS	ET200S Wiring F-DQ	Drawing name:	= V1KF1		
Ed.	MKLEPADLO	P6700 Roof Inr & Dr Ring LH - Cell 2V07	Scale 1:1		=2V07&EFS-EL	+ V1UC46		
Appr					Document type:	Project nr:	Page	5
Modification	Date	Name	Original	Replacement of	Replaced by	EFS	22-16144	509

-KF46.11
/4.1



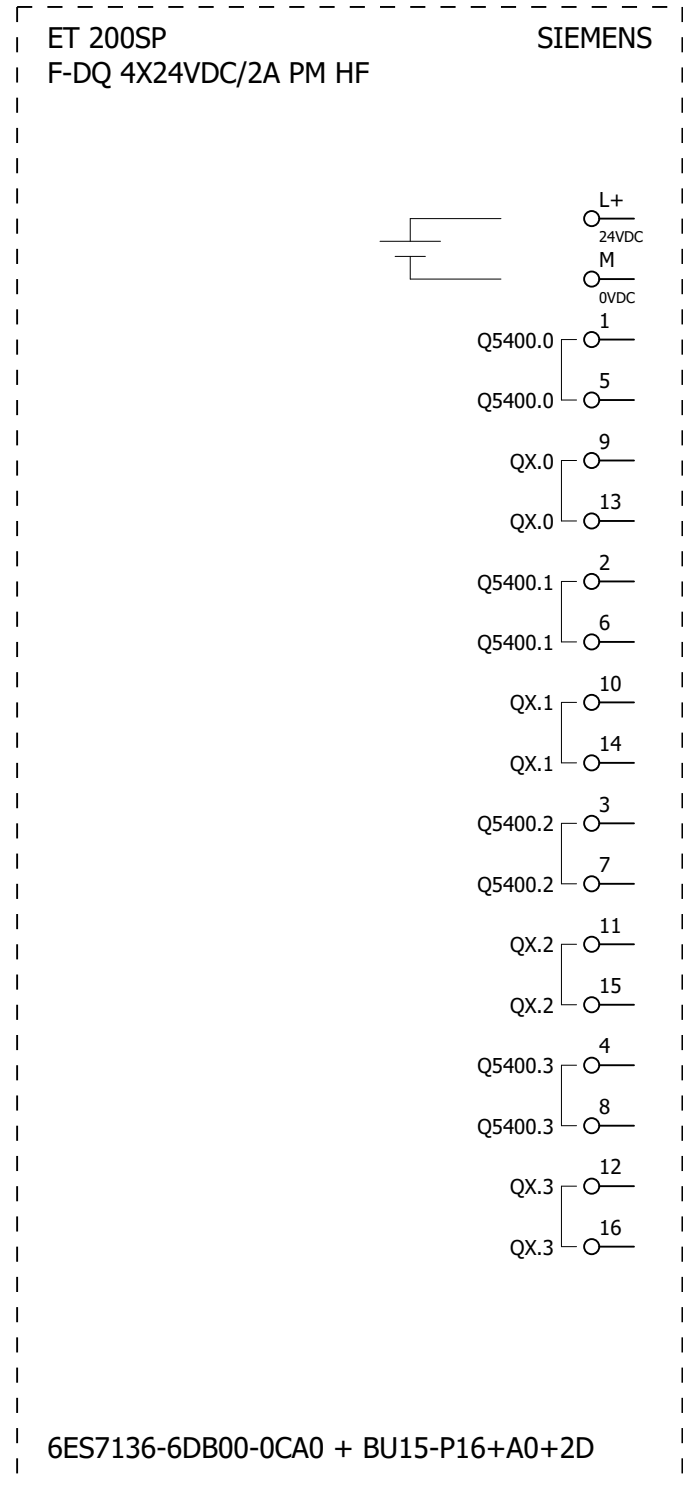
SIEMENS

ET 200SP
DI 16x24 VDC ST

L+/24VDC		L+	24VDC	/4.1		
M/0VDC		M	0VDC	/4.2		
1/DI0		1	DI0	I400.0	=V1FQ1/5.8	=KF46.51RQ
2/DI1		2	DI1	I400.1	=V1FQ1/6.8	=KF46.52RQ
3/DI2		3	DI2	I400.2	=V1FQ1/7.8	=KF46.53RQ
4/DI3		4	DI3	I400.3	=V1FQ1/8.8	=KF46.54RQ
5/DI4		5	DI4	I400.4		I400.4
6/DI5		6	DI5	I400.5		I400.5
7/DI6		7	DI6	I400.6		I400.6
8/DI7		8	DI7	I400.7		I400.7
9/DI8		9	DI8	I401.0		I401.0
10/DI9		10	DI9	I401.1		I401.1
11/DI10		11	DI10	I401.2	=V1WC3/3.2	=V1WC3+V1UC46-FC1
12/DI11		12	DI11	I401.3	=V1WC4/1.5	=V1WC4+V1UC46-TA1_I
13/DI12		13	DI12	I401.4	=V1WC4/1.3	=V1WC4+V1UC46-FC11_I
14/DI13		14	DI13	I401.5		I401.5
15/DI14		15	DI14	I401.6		I401.6
16/DI15		16	DI15	I401.7		I401.7

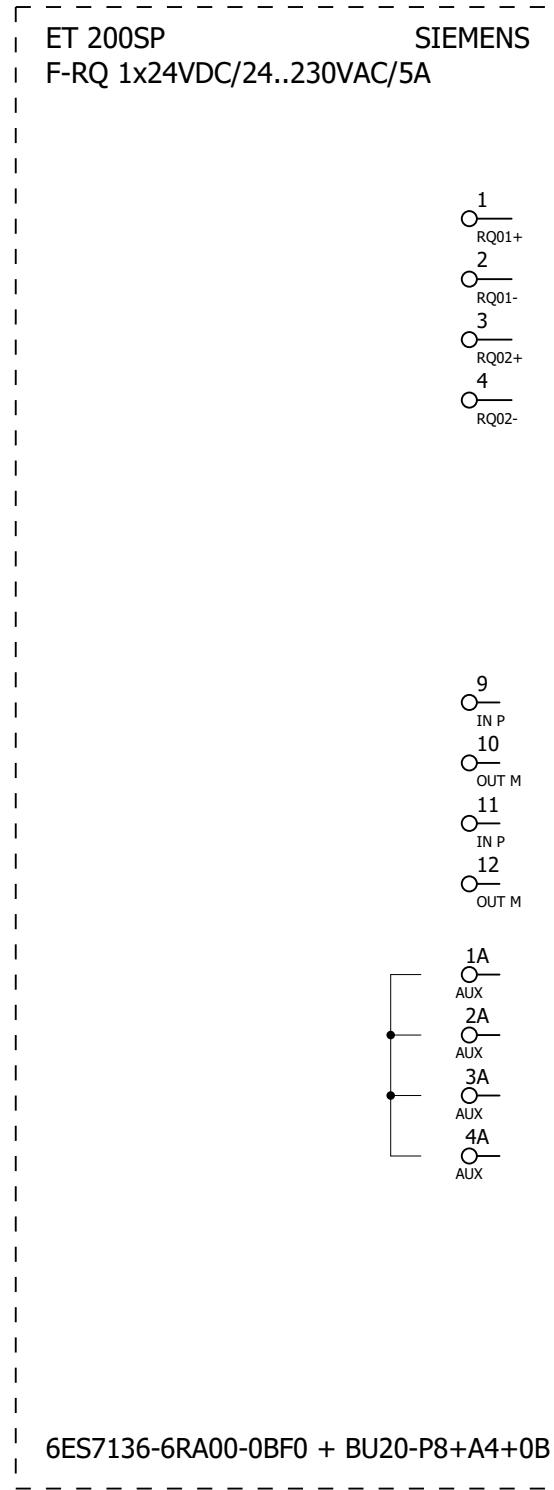
6ES7131-6BH01-0BA0

-KF46.41
/5.0



Date	1/17/2023	Volvo Trucks North America	Valiant TMS	ET200S F-DQ Overview KF46.41	Drawing name:	= V1KF1		
Ed.	MKLEPADLO	P6700 Roof Inr & Dr Ring LH - Cell 2V07	Scale 1:1		=2V07&EFS-EL	+ V1UC46		
Appr					Document type:	Project nr:	Page	7
Modification	Date	Name	Original	Replacement of	Replaced by	EFS	22-16144	509

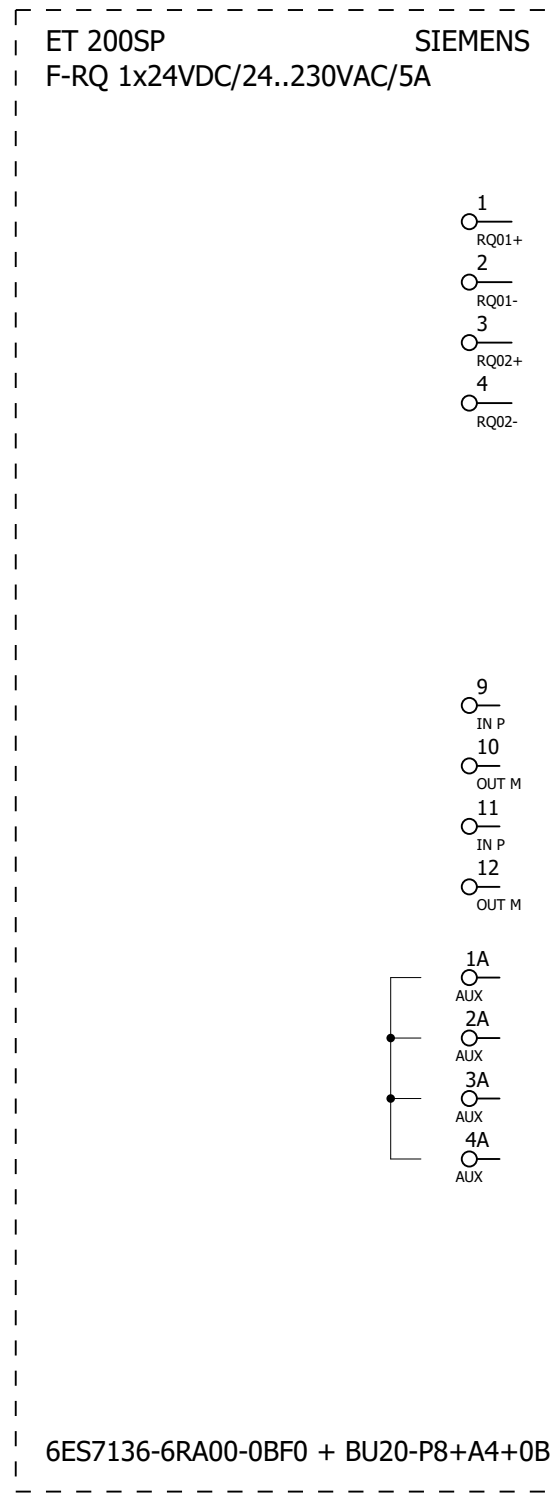
-KF46.51
 =V1FQ1/5.2
 =V1WC4/3.1



1 RQ01+	=V1WC4/3.2	2L+
2 RQ01-	=V1WC4/3.2	2.1L+
3 RQ02+	=V1WC4/3.3	2L+
4 RQ02-	=V1WC4/3.4	2.1L+
9 IN P	=V1FQ1/5.3	UQ51 motion power enable
10 OUT M	=V1FQ1/5.4	Spare
11 IN P	=V1FQ1/5.4	UQ51 motion power enable
12 OUT M	=V1FQ1/5.5	Spare
1A AUX		
2A AUX		
3A AUX		
4A AUX		

Date		1/17/2023		Volvo Trucks North America		Valiant TMS		ET200S F-RQ Overview KF46.51		Drawing name: =2V07&EFS-EL		= V1KF1 + V1UC46	
Ed.		MKLEPADLO		P6700 Roof Inr & Dr Ring LH - Cell 2V07		Scale 1:1				Document type: EFS		Project nr: 22-16144	
Appr				Replacement of		Replaced by				Page		8	
Modification		Date		Name		Original				Page		509	

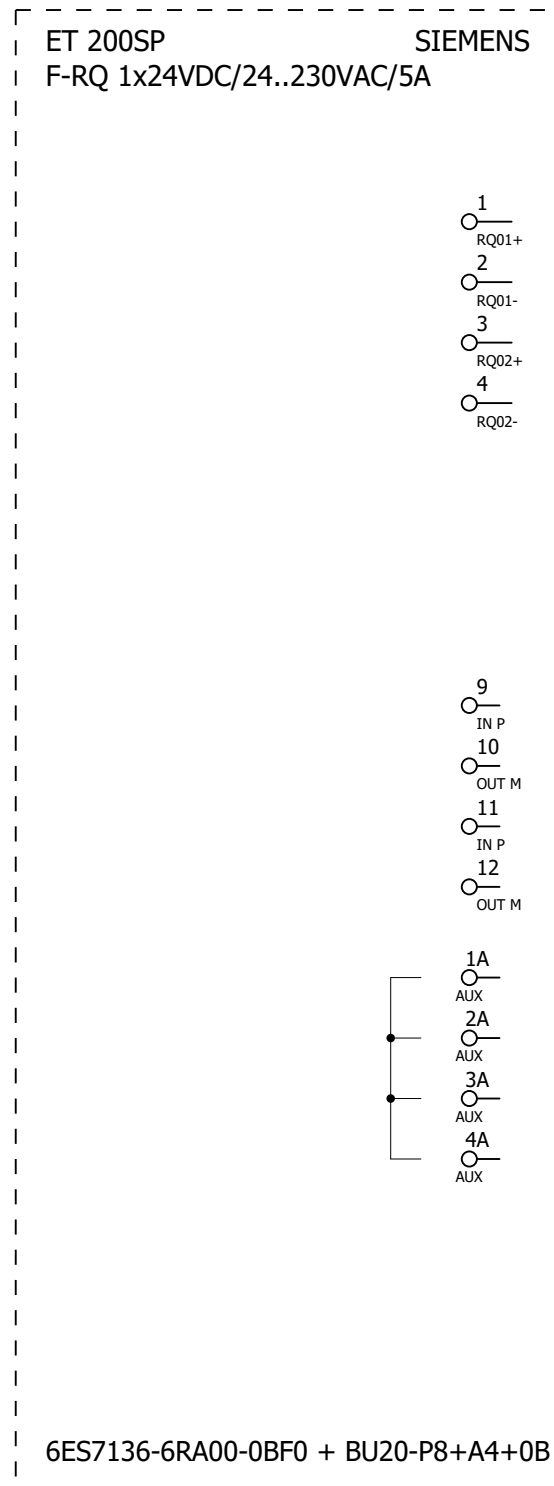
-KF46.52
 =V1FQ1/6.2
 =V1WC4/4.1



1 RQ01+	=V1WC4/4.2	2L+
2 RQ01-	=V1WC4/4.2	2.2L+
3 RQ02+	=V1WC4/4.3	2L+
4 RQ02-	=V1WC4/4.4	2.2L+
9 IN P	=V1FQ1/6.3	UQ52 motion power enable
10 OUT M	=V1FQ1/6.4	Spare
11 IN P	=V1FQ1/6.4	UQ52 motion power enable
12 OUT M	=V1FQ1/6.5	Spare
1A AUX		
2A AUX		
3A AUX		
4A AUX		

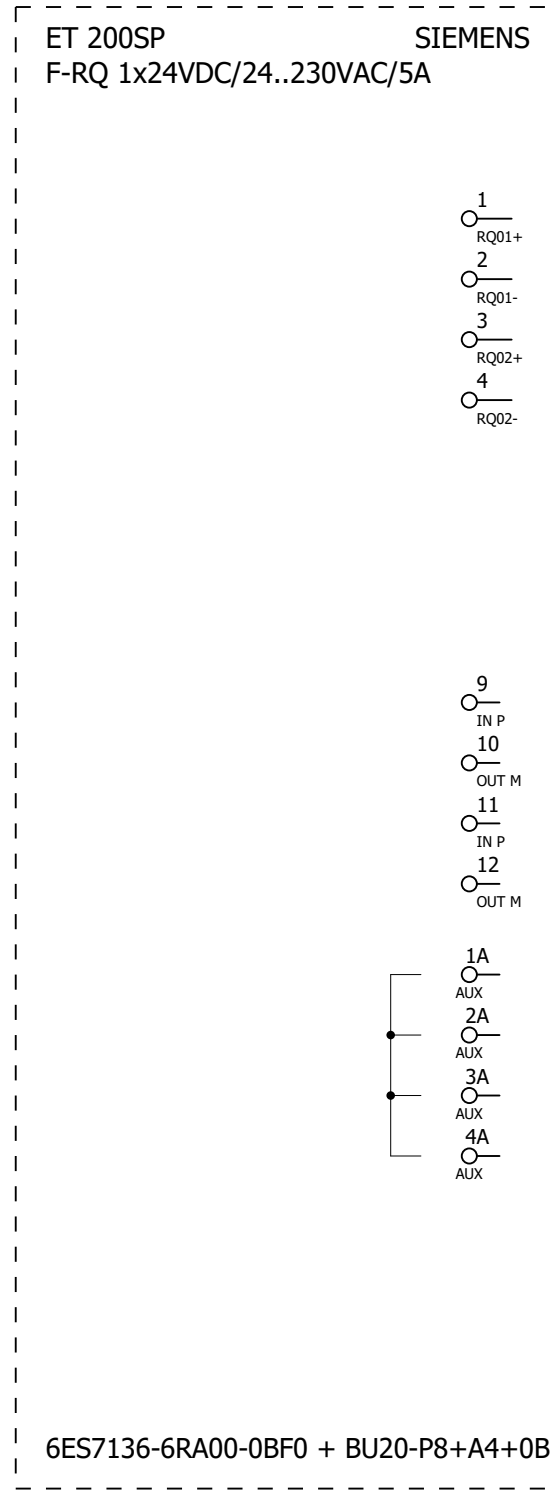
Date		1/17/2023		Volvo Trucks North America		Valiant TMS		ET200S F-RQ Overview KF46.52		Drawing name: =V1KF1	
Ed.		MKLEPADLO		P6700 Roof Inr & Dr Ring LH - Cell 2V07						=2V07&EFS-EL + V1UC46	
Appr				Replacement of		Replaced by		Scale 1:1		Document type: EFS	
Original										Project nr: 22-16144	
Modification		Date		Name						Page 9	
										509	

-KF46.53
 =V1FQ1/7.2
 =V1WC4/5.1



Date		1/17/2023		Volvo Trucks North America		Valiant TMS		ET200S F-RQ Overview KF46.53		Drawing name: =V1KF1	
Ed.		MKLEPADLO		P6700 Roof Inr & Dr Ring LH - Cell 2V07						+ V1UC46	
Appr				Replacement of		Replaced by		Scale 1:1		Document type: EFS	
Original										Project nr: 22-16144	
Modification		Date		Name		Original				Page 10	
										509	

-KF46.54
 =V1FQ1/8.2
 =V1WC4/6.1



Date		1/17/2023		Volvo Trucks North America		Valiant TMS		ET200S F-RQ Overview KF46.54		Drawing name: =V1KF1		=2V07&EFS-EL		+ V1UC46	
Ed.		MKLEPADLO		P6700 Roof Inr & Dr Ring LH - Cell 2V07		Scale 1:1				Document type: EFS		Project nr: 22-16144		Page 11	
Modification		Date		Name		Original		Replacement of		Replaced by				509	

=V1KF1+V1UC11

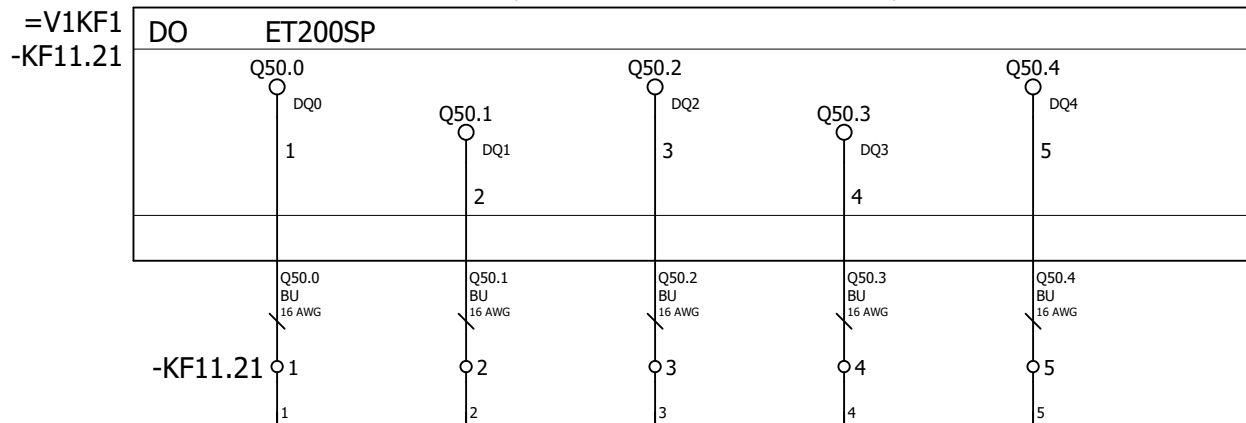
S010 Indication column Blue
=V1PZ1+UC61-PF1_1
=V1KF1+.UC11/13.2

S010 Indication column Yellow
=V1PZ1+UC61-PF1_3
=V1KF1+.UC11/13.2

S010 Indication column Siren
=V1PZ1+UC61-PF1_5
=V1KF1+.UC11/13.2

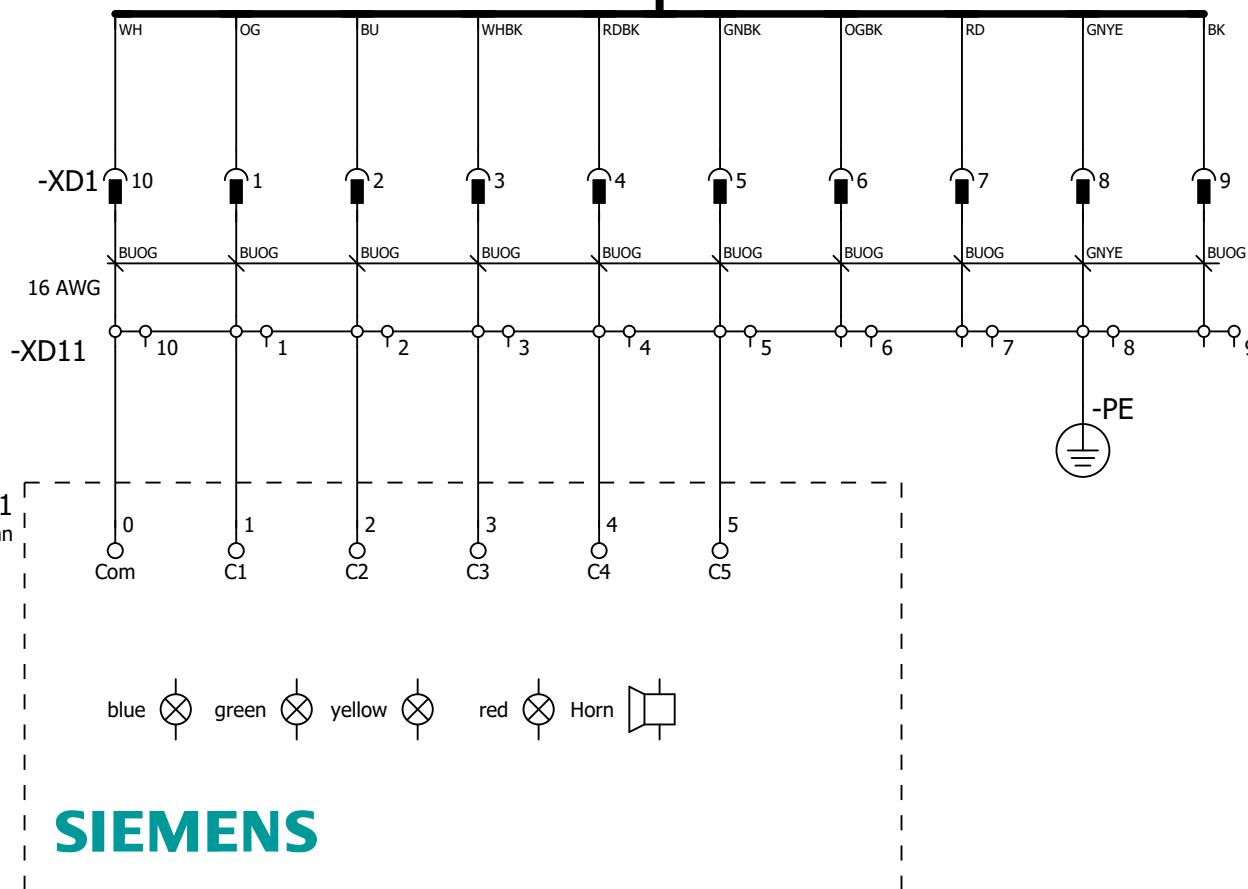
S010 Indication column Green
=V1PZ1+UC61-PF1_2
=V1KF1+.UC11/13.2

S010 Indication column Red
=V1PZ1+UC61-PF1_4
=V1KF1+.UC11/13.2



=V1WC4+.UC11/6.2 / 4M2

-W1
RSM RKM 106-25M/S3059 25m



POWER IN / POWER OUT

- Pin 1: Signal 1
- Pin 2: Signal 2
- Pin 3: Signal 3
- Pin 4: Signal 4
- Pin 5: Signal 5
- Pin 6: Signal 6
- Pin 7: Signal 7
- Pin 8: FE
- Pin 9: Signal 8
- Pin 10: 0 V

Pin #	WIRE	COLOR
Pin 1	C1	BUOG
Pin 2	C2	BUOG
Pin 3	C3	BUOG
Pin 4	C4	BUOG
Pin 5	C5	BUOG
Pin 6	SPARE	BUOG
Pin 7	SPARE	BUOG
Pin 8	PE	GNYE
Pin 9	SPARE	BUOG
Pin 10	COM	BUOG

=V1KF1+.UC46/11

=V1SF0PG1+.UC51/1



=V1KF1+.UC11/2.6
+.UC11-KF100.11-P9

-KF100.11-P9
PROFINET Cable
6XV1840-3AH10 25 m

=V1WC4+.UC11/20.5
-W1

-W1
RSM RKM 56-25M/S3059 25m

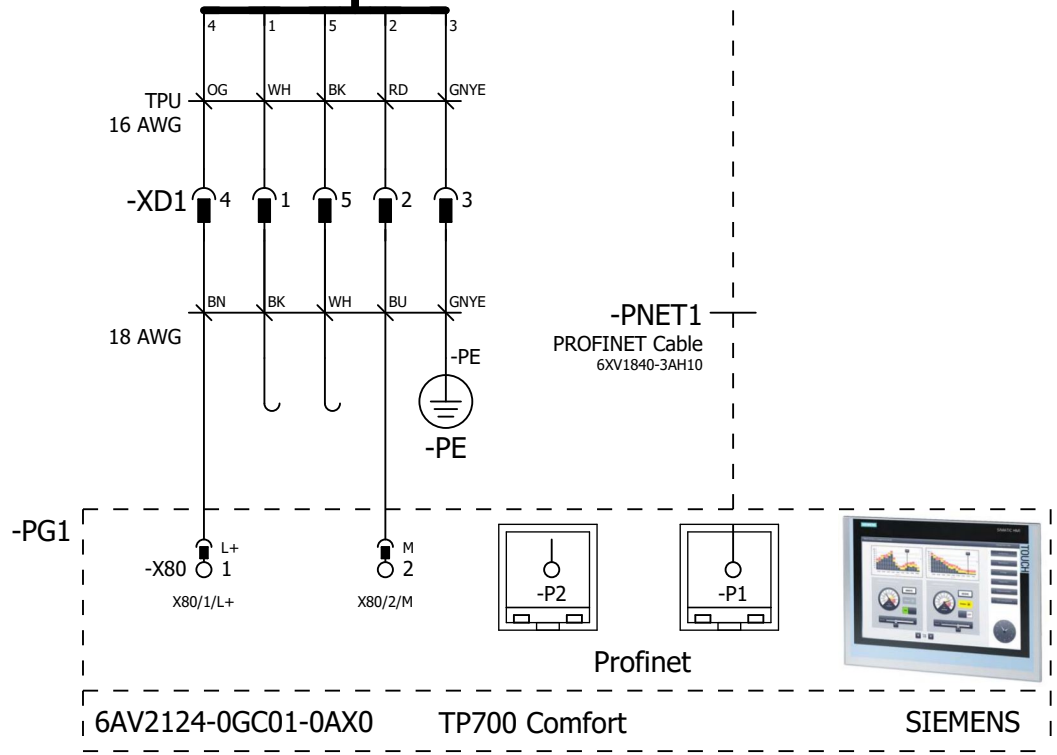
UC51-PNET1

-PNET1
PROFINET Cable
6XV1840-3AH10

Pin #	WIRE	COLOR
Pin 1	N/C	BK
Pin 2	M	BU
Pin 3	PE	GNYE
Pin 4	L+	BN
Pin 5	N/C	WH

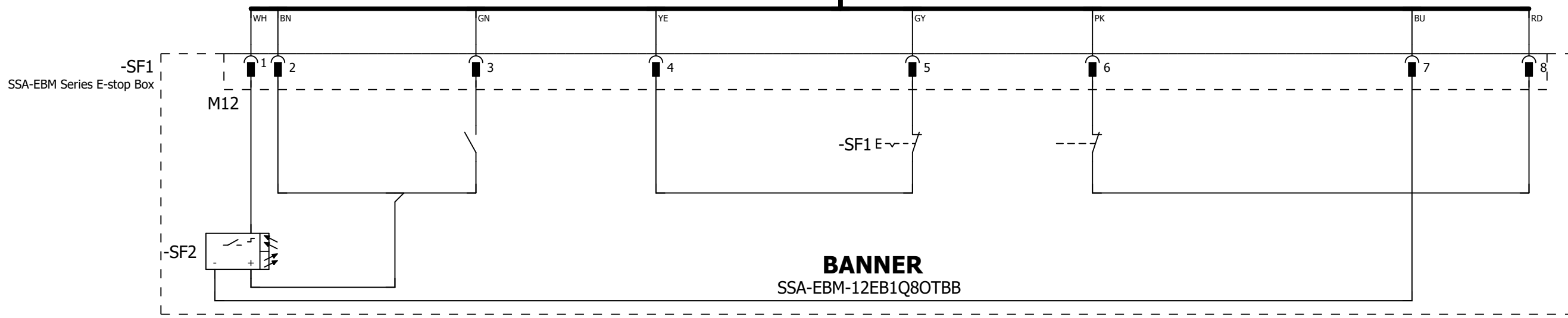
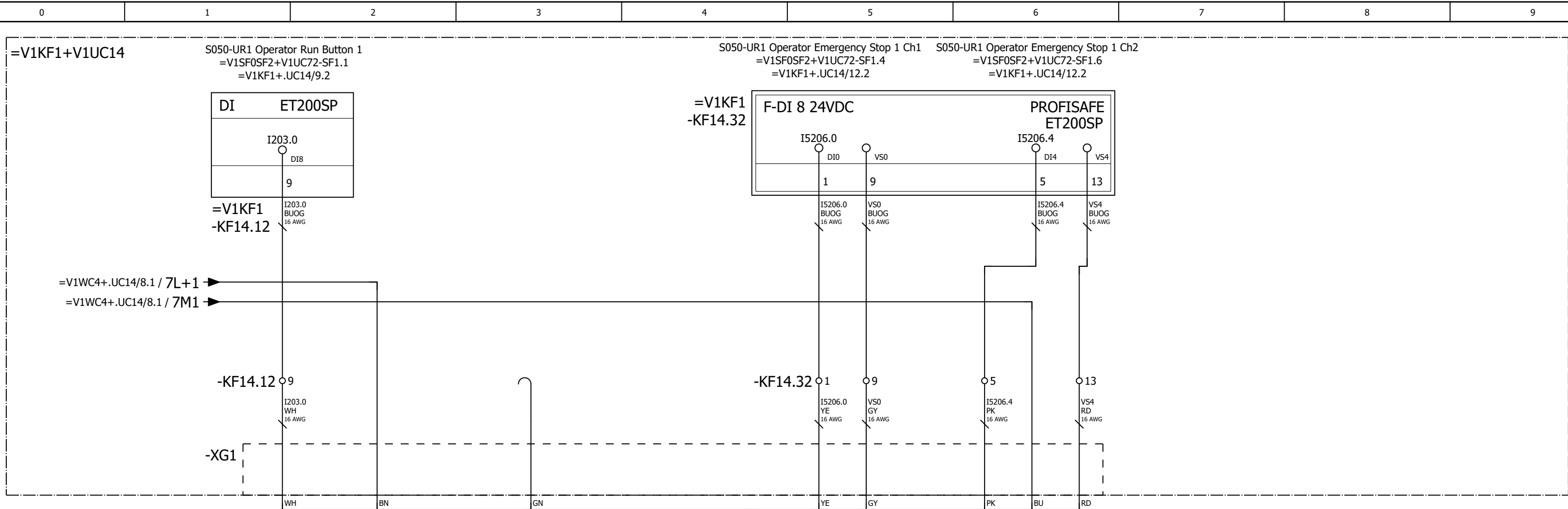
POWER IN / POWER OUT

Pin 1: 0 V UA
Pin 2: 0 V US
Pin 3: FE
Pin 4: +24 V US / 9 A
Pin 5: +24 V UA / 9 A



=V1PZ1PF1+.UC61/1

=V1SF0SF1+.UC71/1



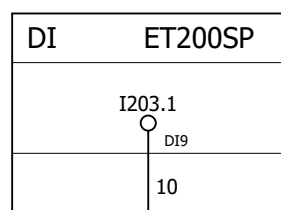
=V1SF0SF1+.UC71/1			=V1SF0SF3+.UC73/1				
Date	1/17/2023	Volvo Trucks North America	Valiant TMS	S050-UR1 Operating box RB	Drawing name: =2V07&EFS-EL		
Ed.	MKLEPADLO	P6700 Roof Inr & Dr Ring LH - Cell 2V07	Scale 1:1	Project nr: 22-16144	= V1SF0SF2		
Appr					+ V1UC72		
Modification	Date	Name	Original	Replacement of	Replaced by	Document type: EFS	Page 1
							509

=V1KF1+V1UC14

S050-UR2 Operator Run Button 1
=V1SF0SF3+V1UC73-SF1.1
=V1KF1+.UC14/9.2

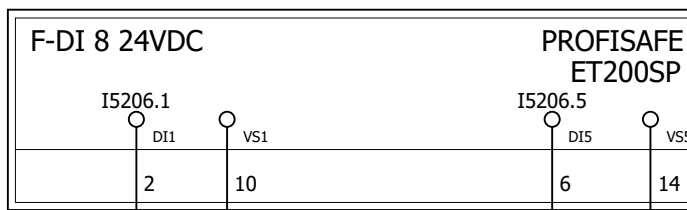
S050-UR2 Operator Emergency Stop 1 Ch1
=V1SF0SF3+V1UC73-SF1.4
=V1KF1+.UC14/12.2

S050-UR2 Operator Emergency Stop 1 Ch2
=V1SF0SF3+V1UC73-SF1.6
=V1KF1+.UC14/12.2



=V1KF1
-KF14.12

=V1KF1
-KF14.32



=V1WC4+.UC14/8.2 / 7L+1
=V1WC4+.UC14/8.2 / 7M1

-KF14.12 10

-XG2

-KF14.32 2 10 6 14

WH

BN

GN

YE

GY

PK

BU

RD

-W1
WKC 8T-30-S1587 30m

-SF1
SSA-EBM Series E-stop Box

M12

-SF2

BANNER
SSA-EBM-12EB1Q80TBB



=V1SF0SF2+.UC72/1

=V1U10FQ1+.U10/1

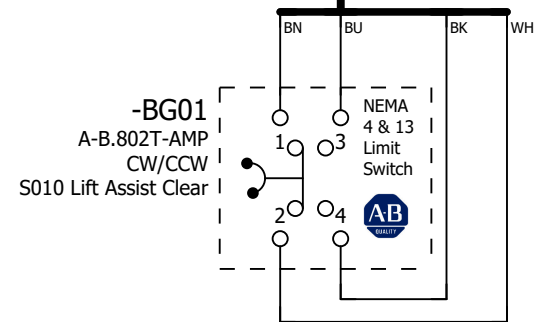
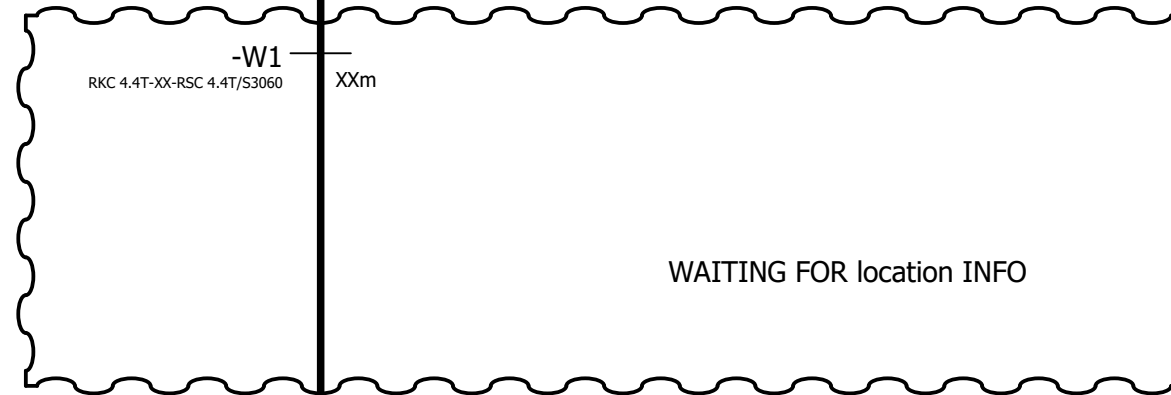
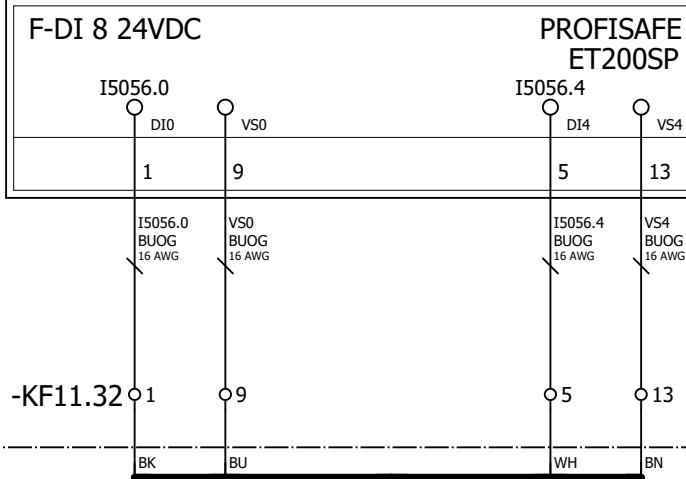
Date: 1/17/2023			Volvo Trucks North America		Valiant TMS		S050-UR2 Operating box RB		Drawing name: =2V07&EFS-EL		= V1SF0SF3 + V1UC73	
Ed.: MKLEPADLO			P6700 Roof Inr & Dr Ring LH - Cell 2V07		Scale 1:1				Document type: EFS		Project nr: 22-16144	
Appr:			Replacement of		Replaced by				Page: 1		509	

=V1KF1+V1UC11

S010 Lift Assist Clear Ch1
=V1FQ1-BG01
=V1KF1+.UC11/15.2

S010 Lift Assist Clear Ch2
=V1FQ1-BG01
=V1KF1+.UC11/15.2

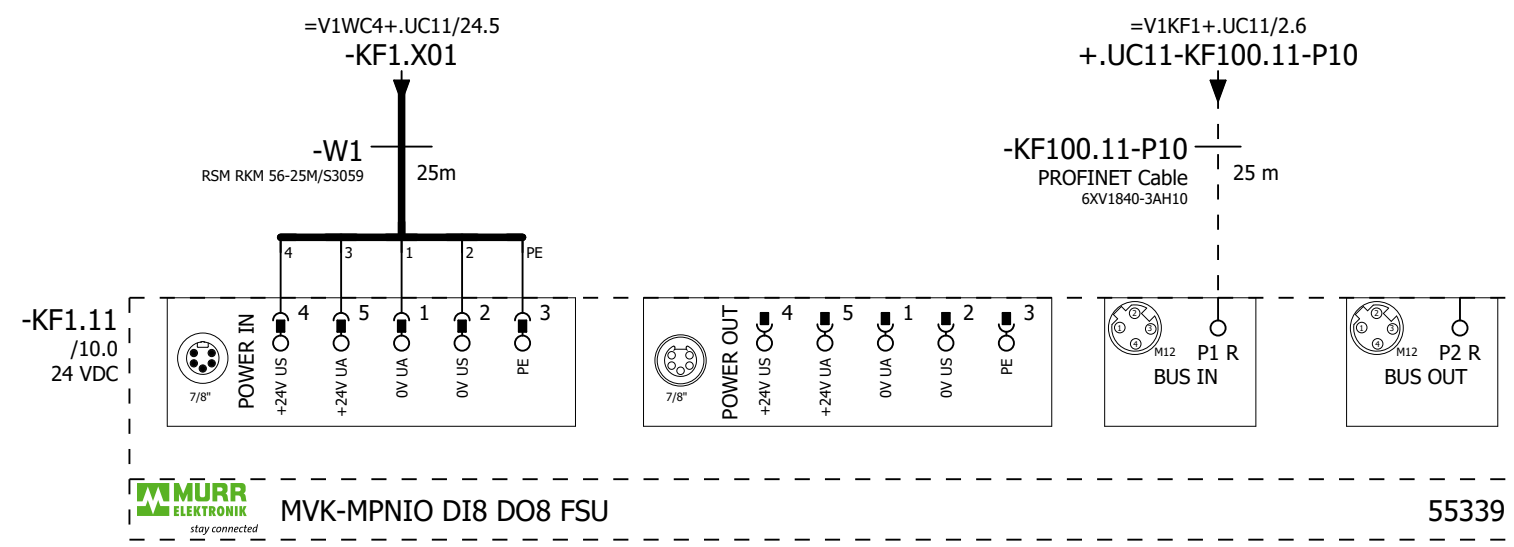
=V1KF1
-KF11.32



=V1SF0SF3+.UC73/1

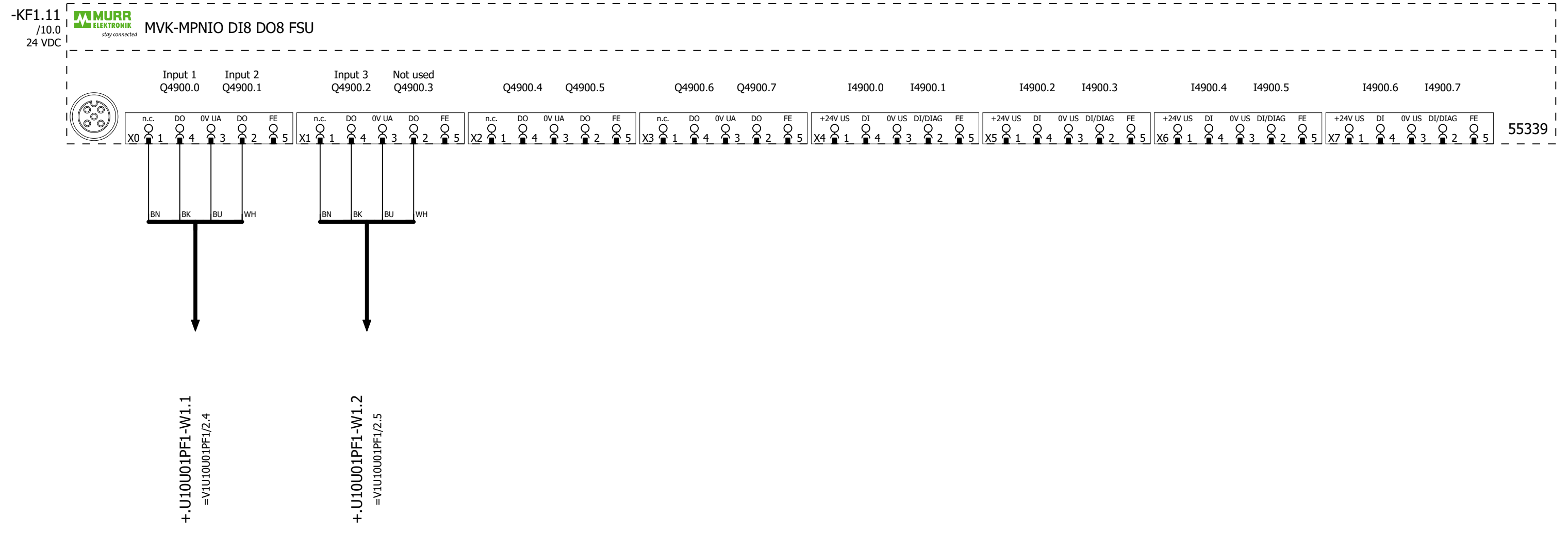
=V1U10U01KF1+.U10U01/10

Date		1/17/2023	Volvo Trucks North America		Valiant TMS	S010 Lift Assist Safety Switch	Drawing name:		= V1U10FQ1
Ed.		MKLEPADLO	P6700 Roof Inr & Dr Ring LH - Cell 2V07				=2V07&EFS-EL		+ V1U10
Appr			Replacement of		Scale 1:1		Document type:		Page
Original			Replaced by				EFS	Project nr:	22-16144
Modification		Date	Name	Original					509



S010 Dome light S010 Dome light Spare Spare Spare Spare Spare Spare

S010 Dome light S010 Dome light Spare Spare Spare Spare Spare Spare



=V1U10FQ1+V1U10/1

=V1U10U01PF1/2

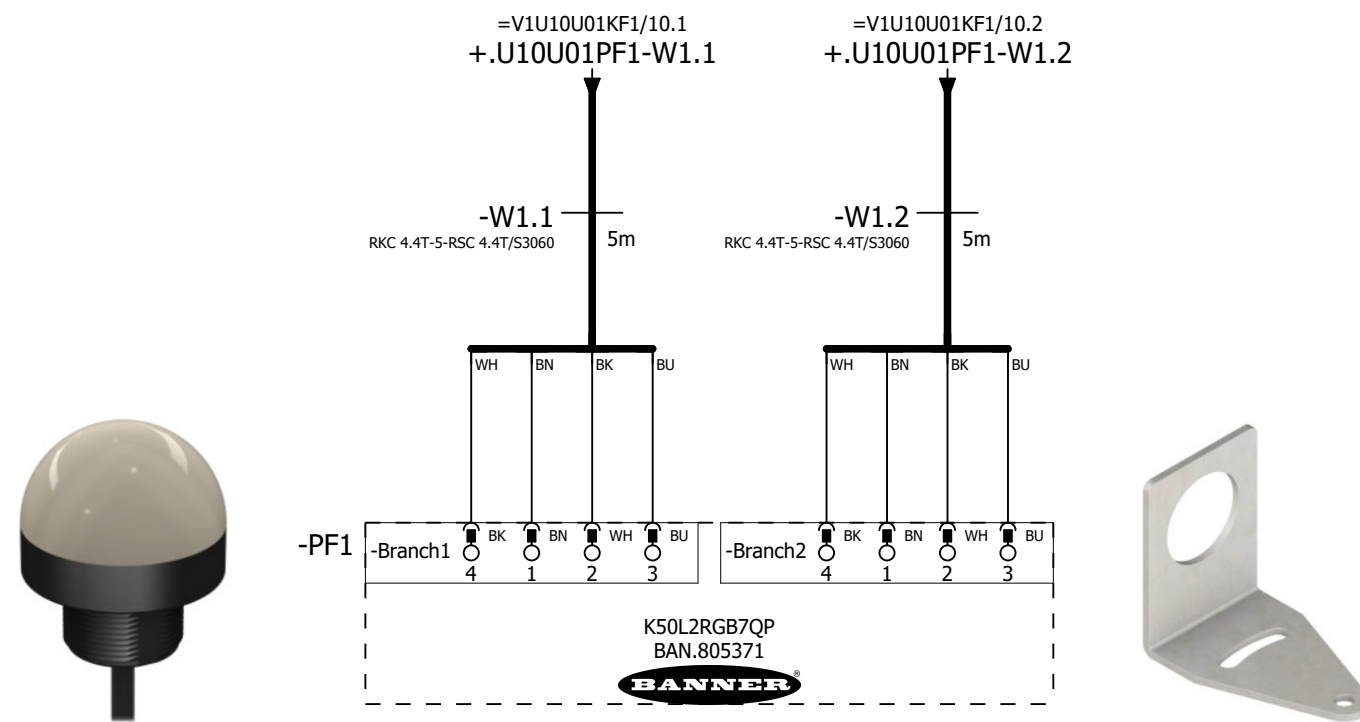


Table 1: Default Color Definition

	Red	Yellow	Green	Cyan	Blue	Magenta	White
Input 1	X	X				X	X
Input 2		X	X	X			X
Input 3				X	X	X	X

=V1U10U01KF1/10

=V1U50FQ1+.U50/1

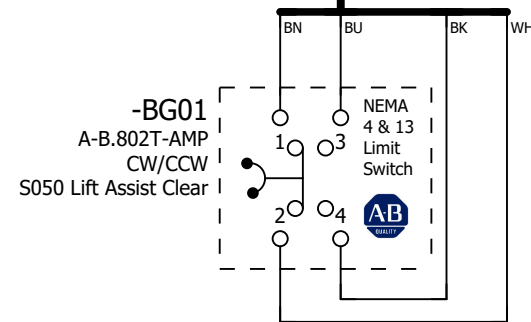
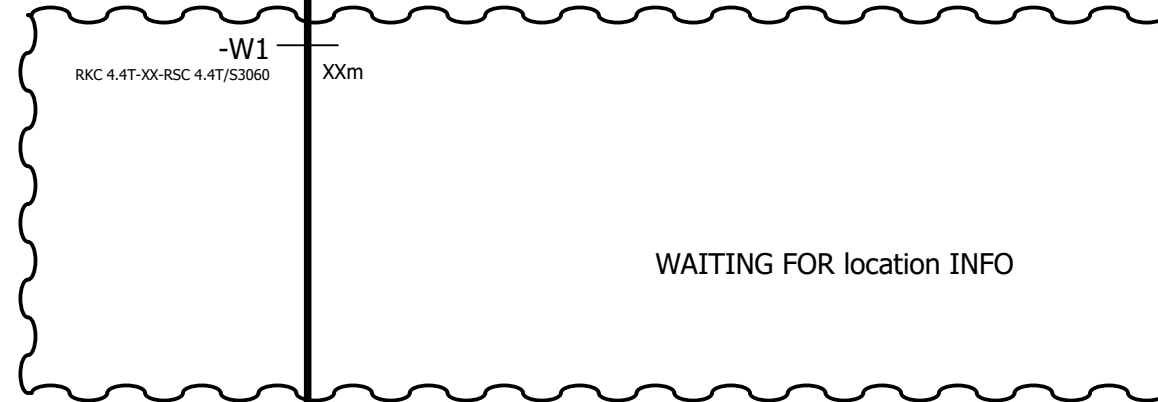
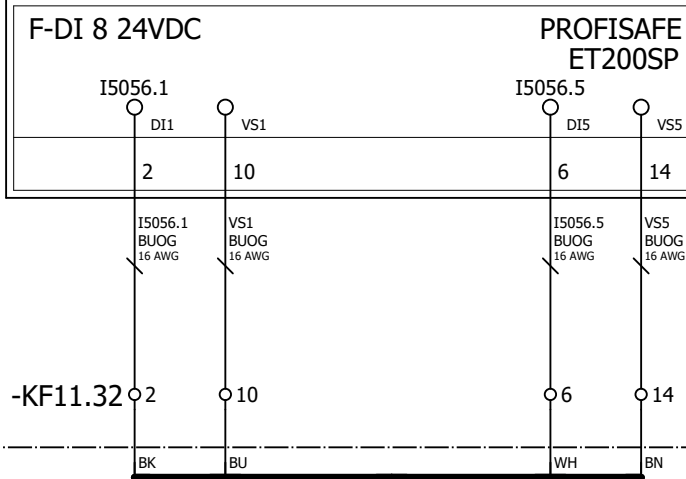
Date		1/17/2023	Volvo Trucks North America		Valiant TMS	Station Dome Light	Drawing name:		= V1U10U01PF1
Ed.		MKLEPADLO	P6700 Roof Inr & Dr Ring LH - Cell 2V07				=2V07&EFS-EL		+ V1U10U01
Appr			Replacement of		Scale 1:1		Document type:		Project nr:
Modification	Date	Name	Replaced by				EFS	22-16144	
									509

=V1KF1+V1UC11

S050 Lift Assist Clear Ch1
=V1FQ1-BG02
=V1KF1+.UC11/15.2

S050 Lift Assist Clear Ch2
=V1FQ1-BG02
=V1KF1+.UC11/15.2

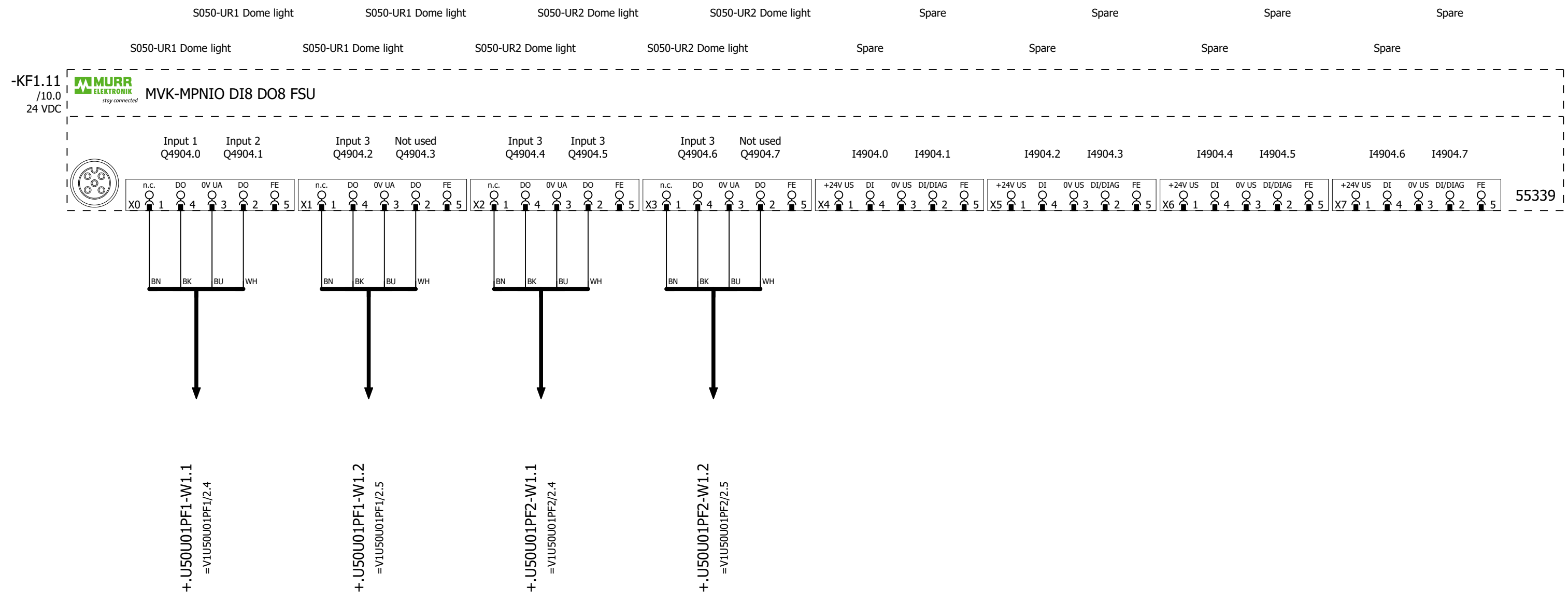
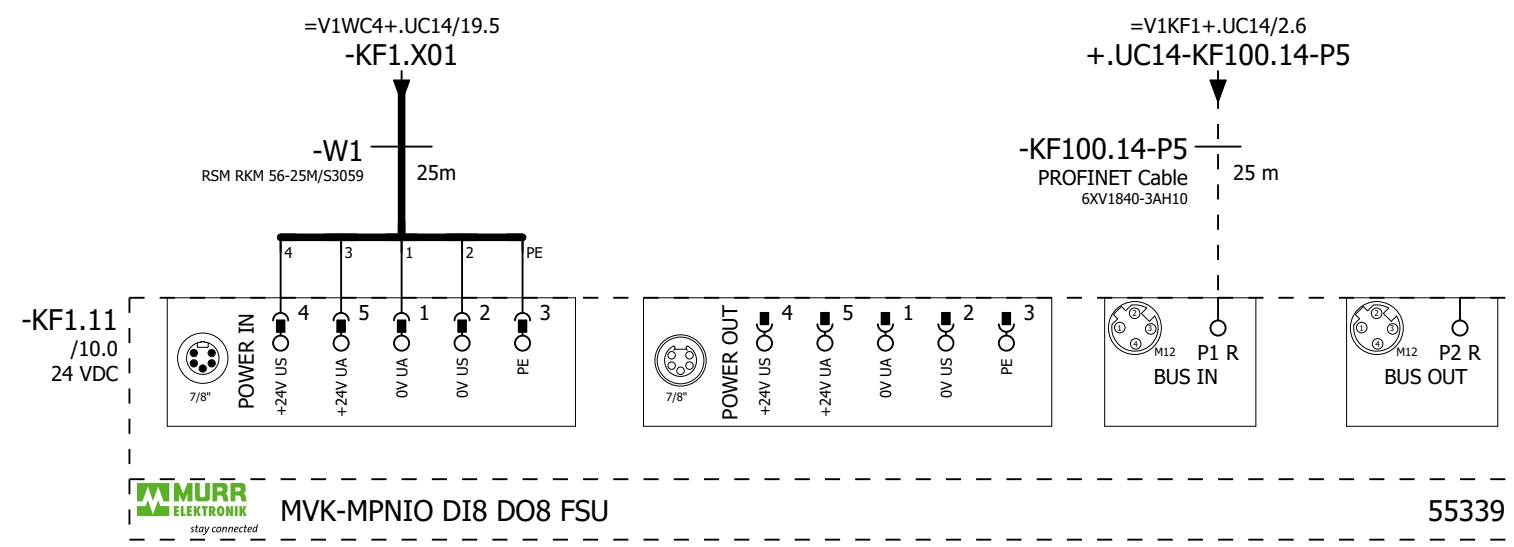
=V1KF1
-KF11.32



=V1U10U01PF1+.U10U01/2

=V1U50U01KF1+.U50U01/10

Date		1/17/2023	Volvo Trucks North America		Valiant TMS	S050 Lift Assist Safety Switch	Drawing name:		= V1U50FQ1
Ed.		MKLEPADLO	P6700 Roof Inr & Dr Ring LH - Cell 2V07				=2V07&EFS-EL		+ V1U50
Appr			Replacement of		Scale 1:1		Document type:		Page
Original			Replaced by				EFS	Project nr:	22-16144
Modification	Date	Name	Original						509



=V1U50FQ1+V1U50/1

=V1U50U01PF1/2

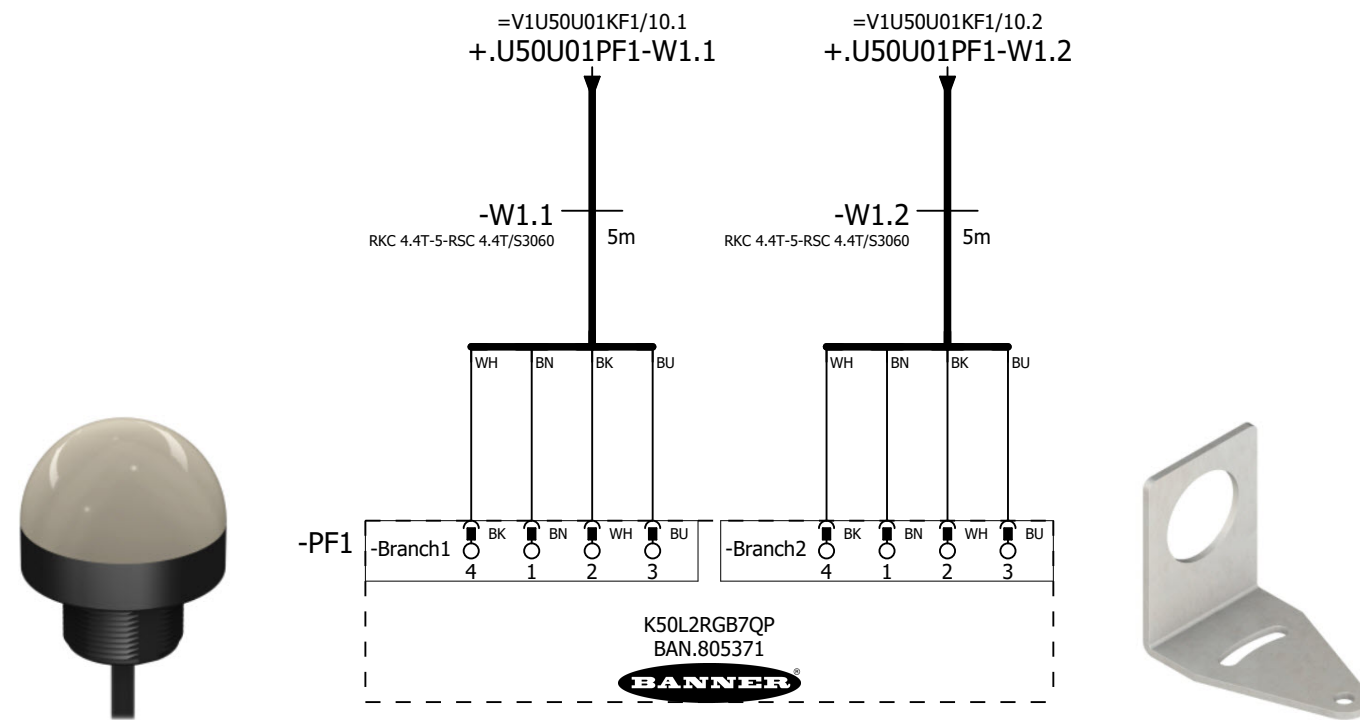


Table 1: Default Color Definition

	Red	Yellow	Green	Cyan	Blue	Magenta	White
Input 1	X	X				X	X
Input 2		X	X	X			X
Input 3				X	X	X	X

=V1U50U01KF1/10

=V1U50U01PF2/2

Date		1/17/2023	Volvo Trucks North America		Valiant TMS	Station Dome Light	Drawing name:		= V1U50U01PF1
Ed.		MKLEPADLO	P6700 Roof Inr & Dr Ring LH - Cell 2V07				=2V07&EFS-EL		+ V1U50U01
Appr			Replacement of		Scale 1:1		Document type:	Project nr:	Page
Modification	Date	Name	Original	Replaced by			EFS	22-16144	2

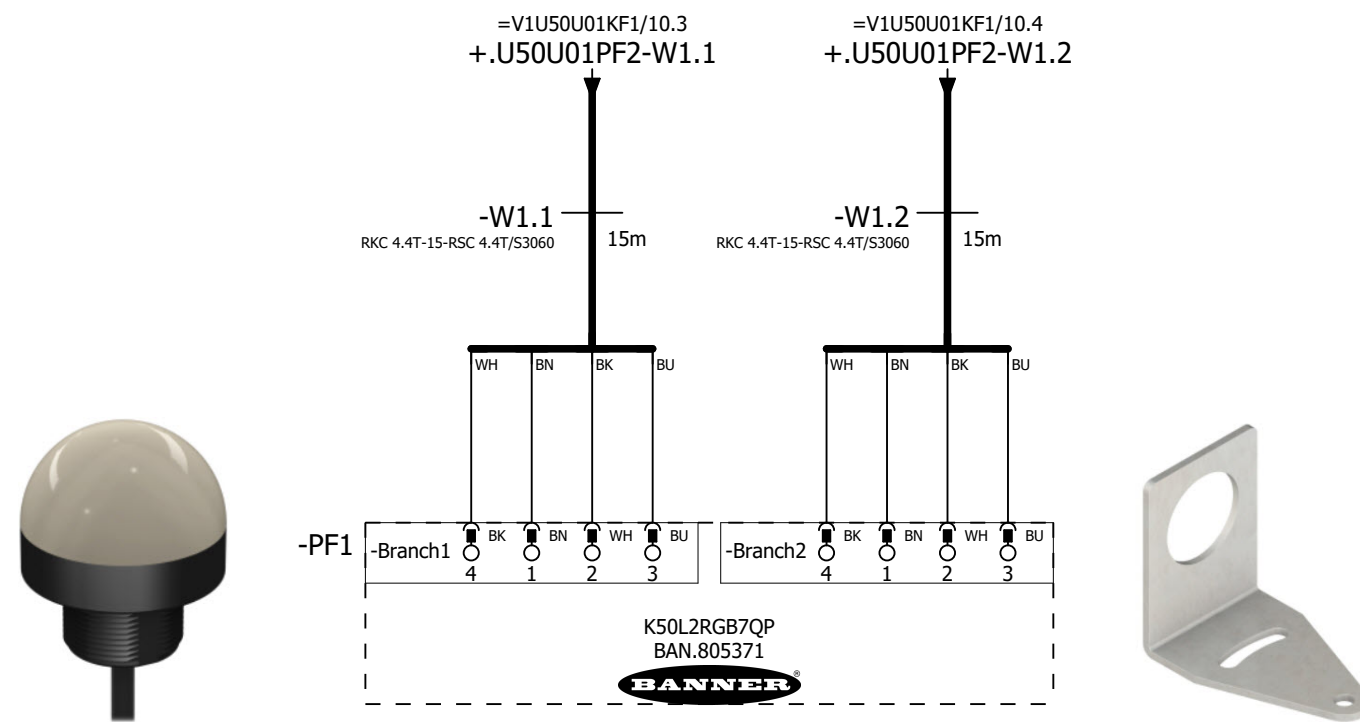


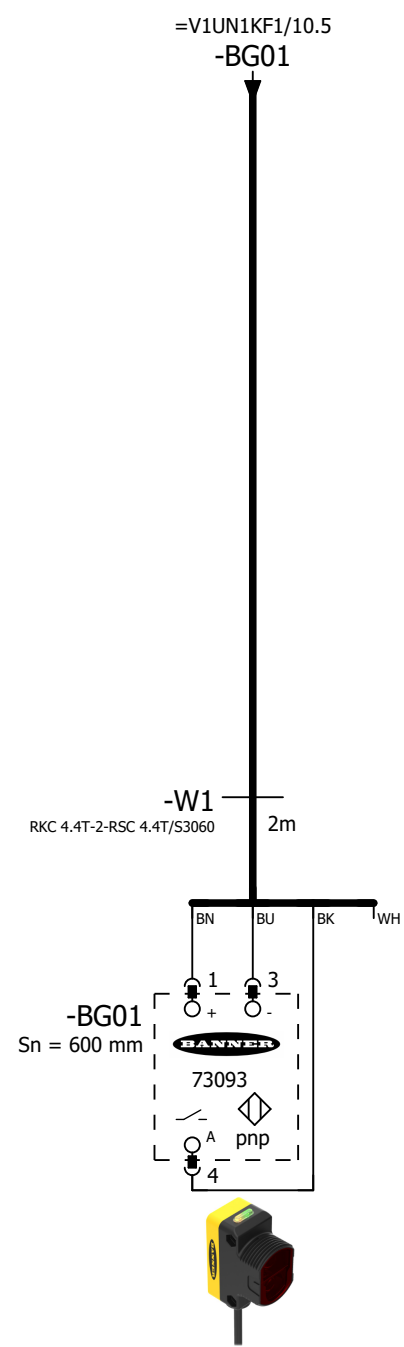
Table 1: Default Color Definition

	Red	Yellow	Green	Cyan	Blue	Magenta	White
Input 1	X	X				X	X
Input 2		X	X	X			X
Input 3				X	X	X	X

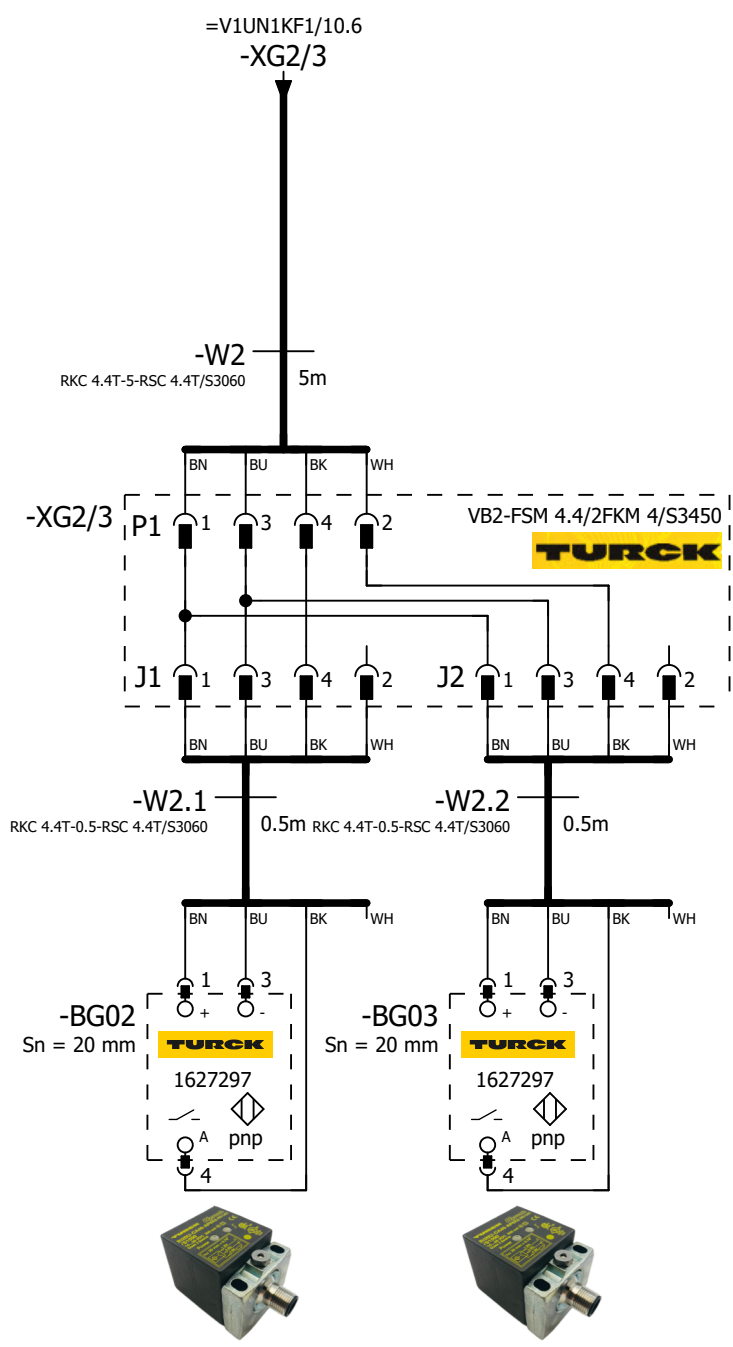
=V1U50U01PF1/2

=V1UN1BG0+.UN1/1

Date		1/17/2023	Volvo Trucks North America		Valiant TMS	Station Dome Light	Drawing name:		= V1U50U01PF2
Ed.		MKLEPADLO	P6700 Roof Inr & Dr Ring LH - Cell 2V07				=2V07&EFS-EL		+ V1U50U01
Appr			Replacement of		Scale 1:1		Document type:		Project nr:
Modification	Date	Name	Replaced by				EFS	22-16144	
									509

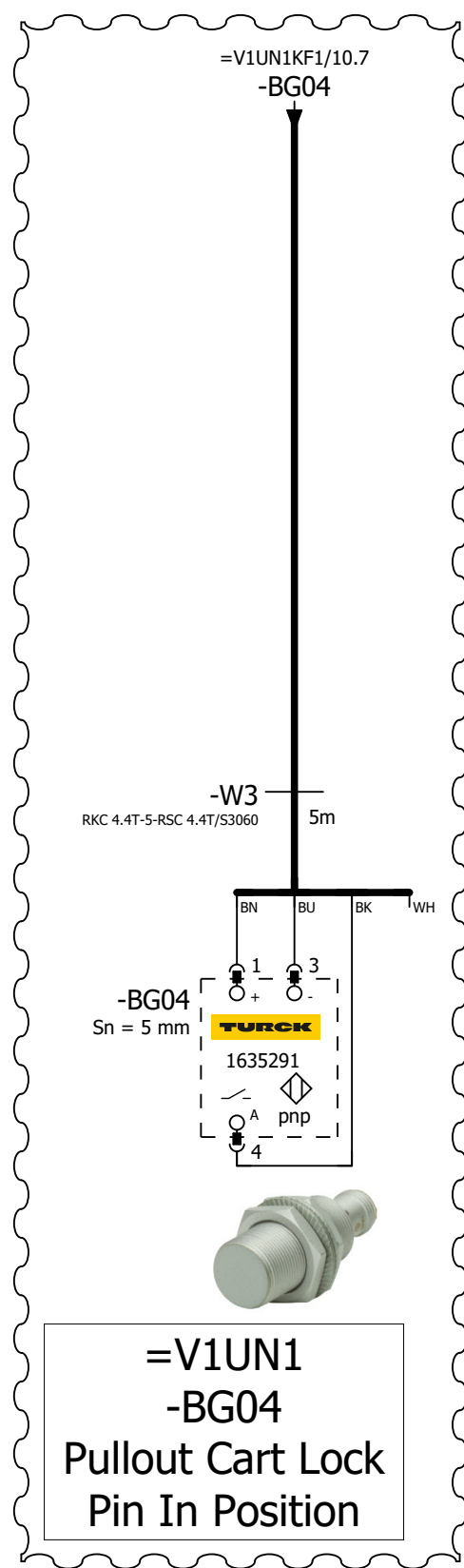


**=V1UN1
-BG01
Roof Inr Dr Ring
LH (Common)**



**=V1UN1
-BG02
Pullout Cart In
Retracted Position**

**=V1UN1
-BG03
Pullout Cart In
Retracted Position**

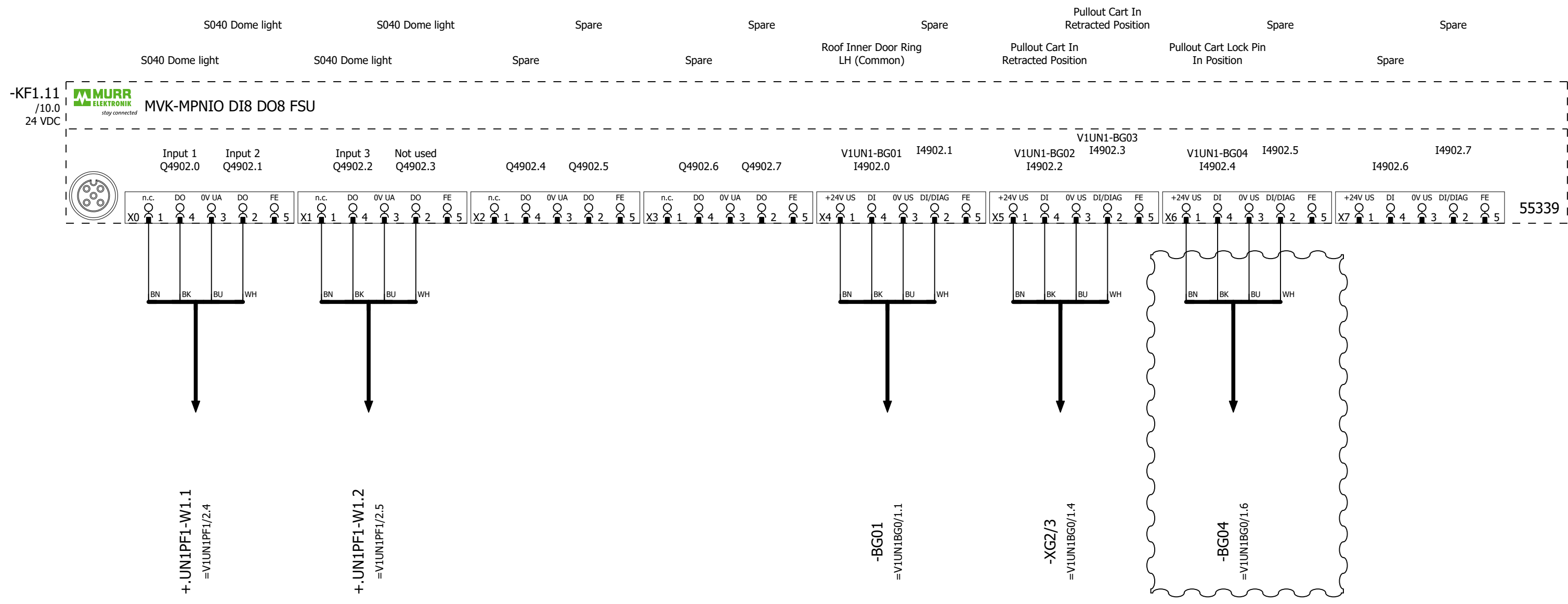
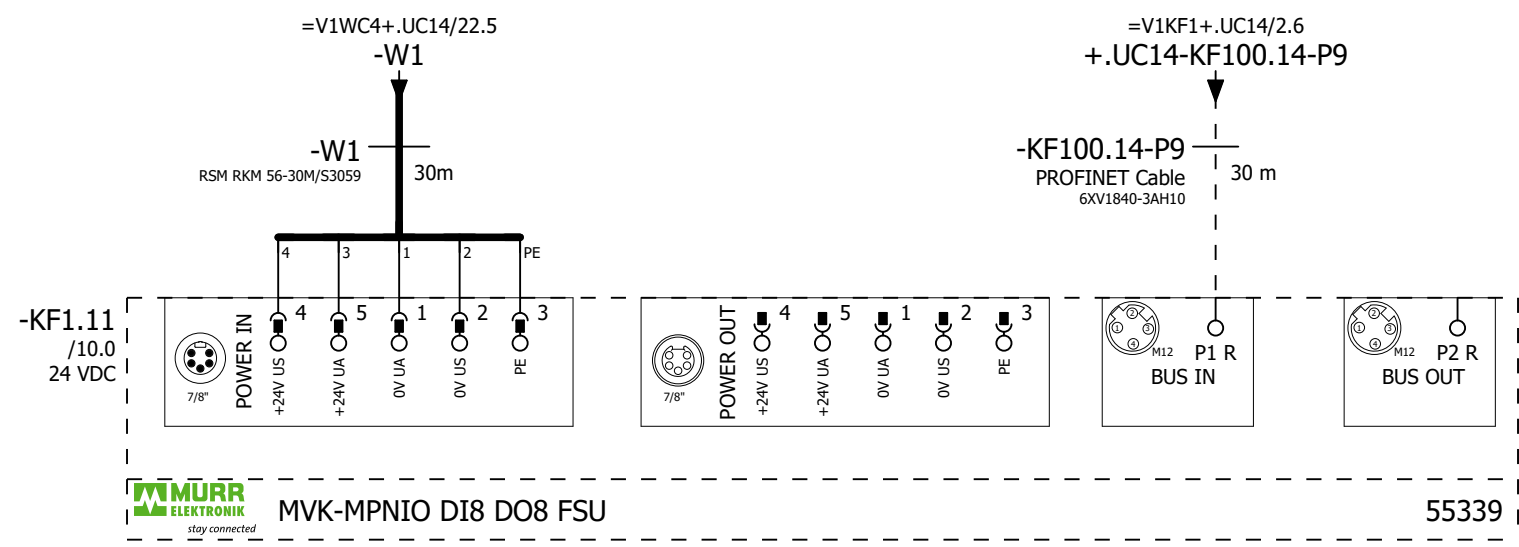


**=V1UN1
-BG04
Pullout Cart Lock
Pin In Position**

=V1U50U01PF2+.U50U01/2

=V1UN1KF1/10

			Date	1/17/2023	Volvo Trucks North America	Valiant TMS	SENSORS	Drawing name: =2V07&EFS-EL		= V1UN1BG0
			Ed.	MKLEPADLO	P6700 Roof Inr & Dr Ring LH - Cell 2V07	Scale 1:1		Document type:		+ V1UN1
			Appr					EFS	Project nr:	22-16144
Modification	Date	Name	Original		Replacement of	Replaced by				1
										509



=V1UN1BG0/1 =V1UN1PF1/2

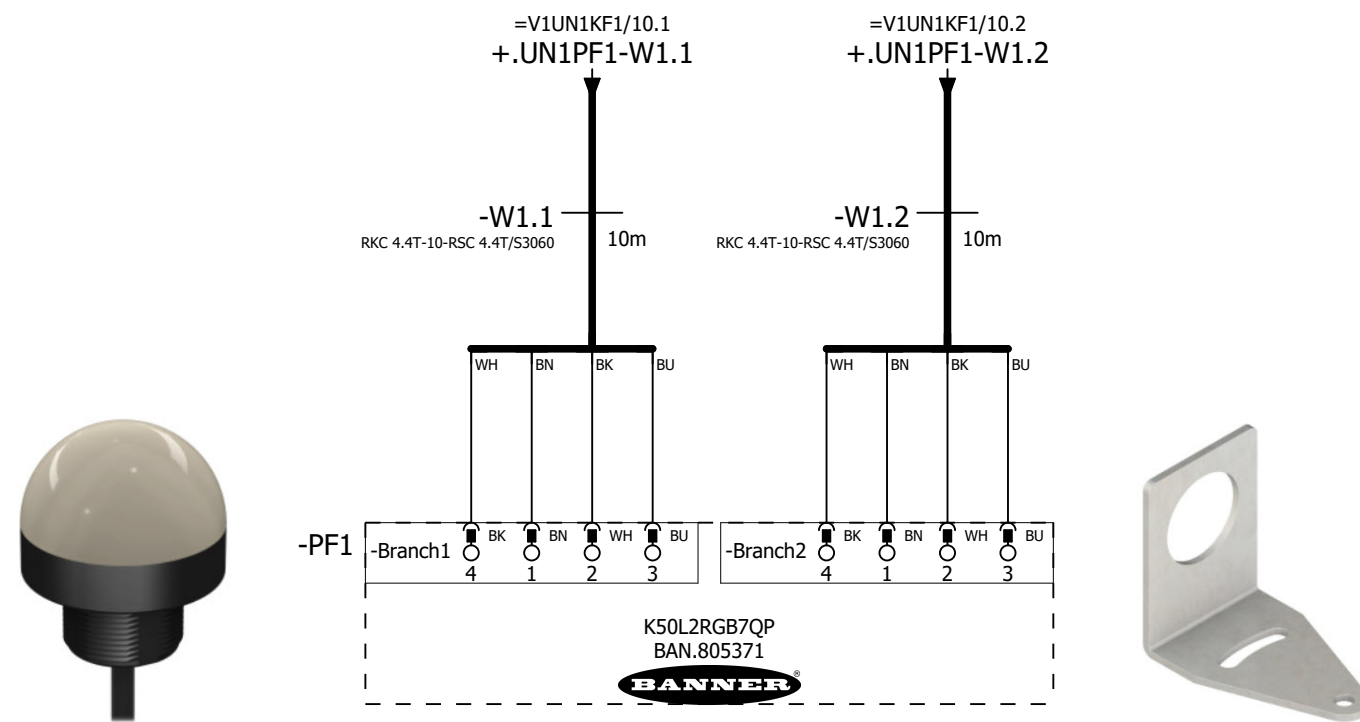


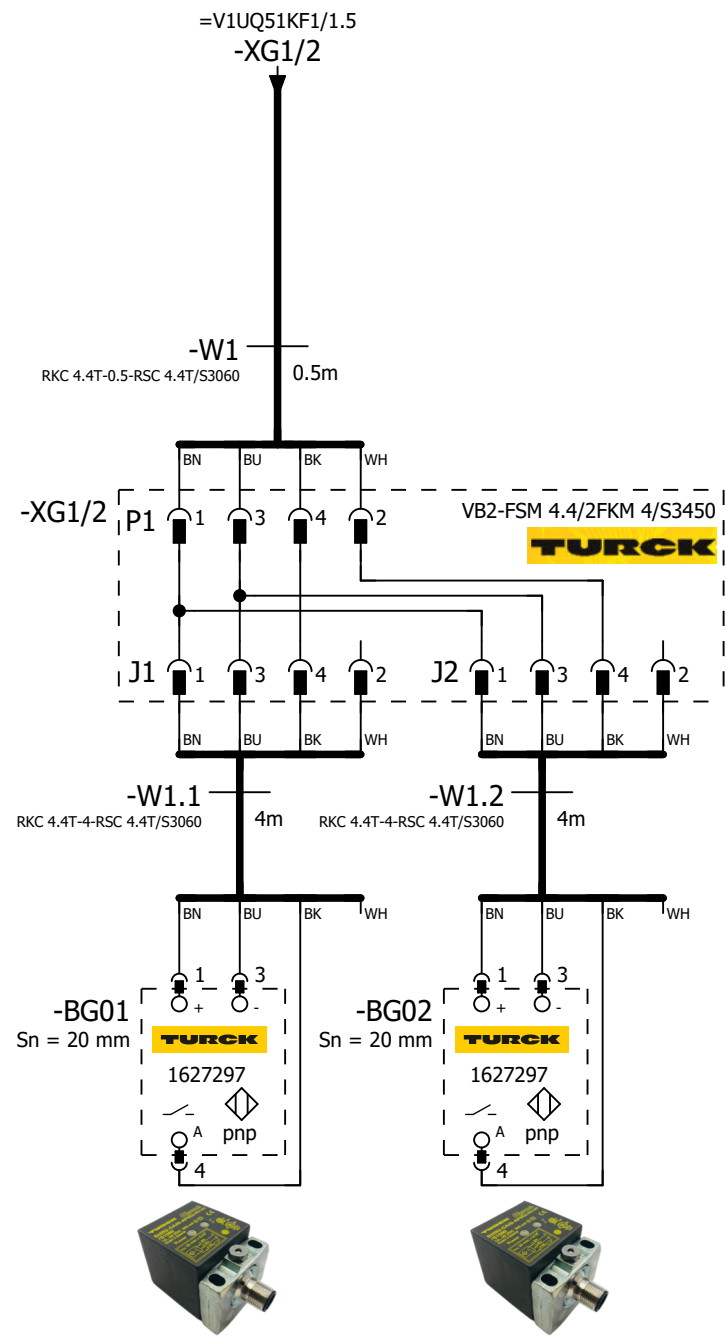
Table 1: Default Color Definition

	Red	Yellow	Green	Cyan	Blue	Magenta	White
Input 1	X	X				X	X
Input 2		X	X	X			X
Input 3				X	X	X	X

=V1UN1KF1/10

=V1UQ51BG0+.UQ51/1

Date		1/17/2023	Volvo Trucks North America		Valiant TMS	Station Dome Light	Drawing name:		= V1UN1PF1
Ed.		MKLEPADLO	P6700 Roof Inr & Dr Ring LH - Cell 2V07				=2V07&EFS-EL		+ V1UN1
Appr			Replacement of		Scale 1:1		Document type:		Page
Modification	Date	Name	Replaced by				EFS	Project nr:	22-16144
									509

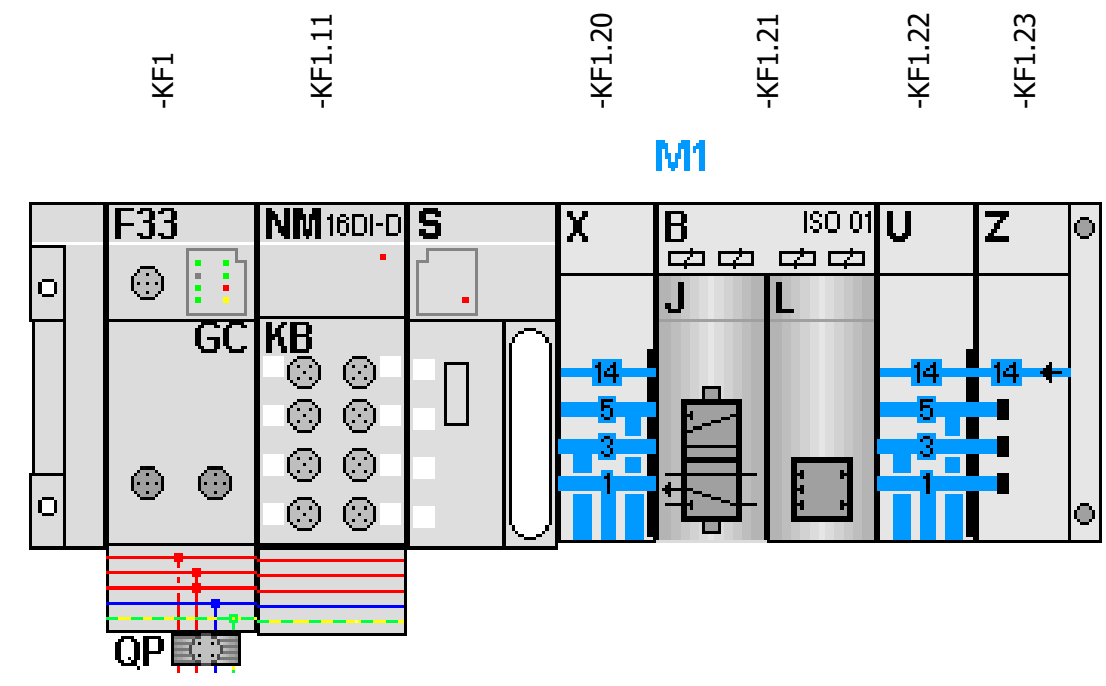


=V1UQ51
-BG01
Part Present

=V1UQ51
-BG02
Part Present

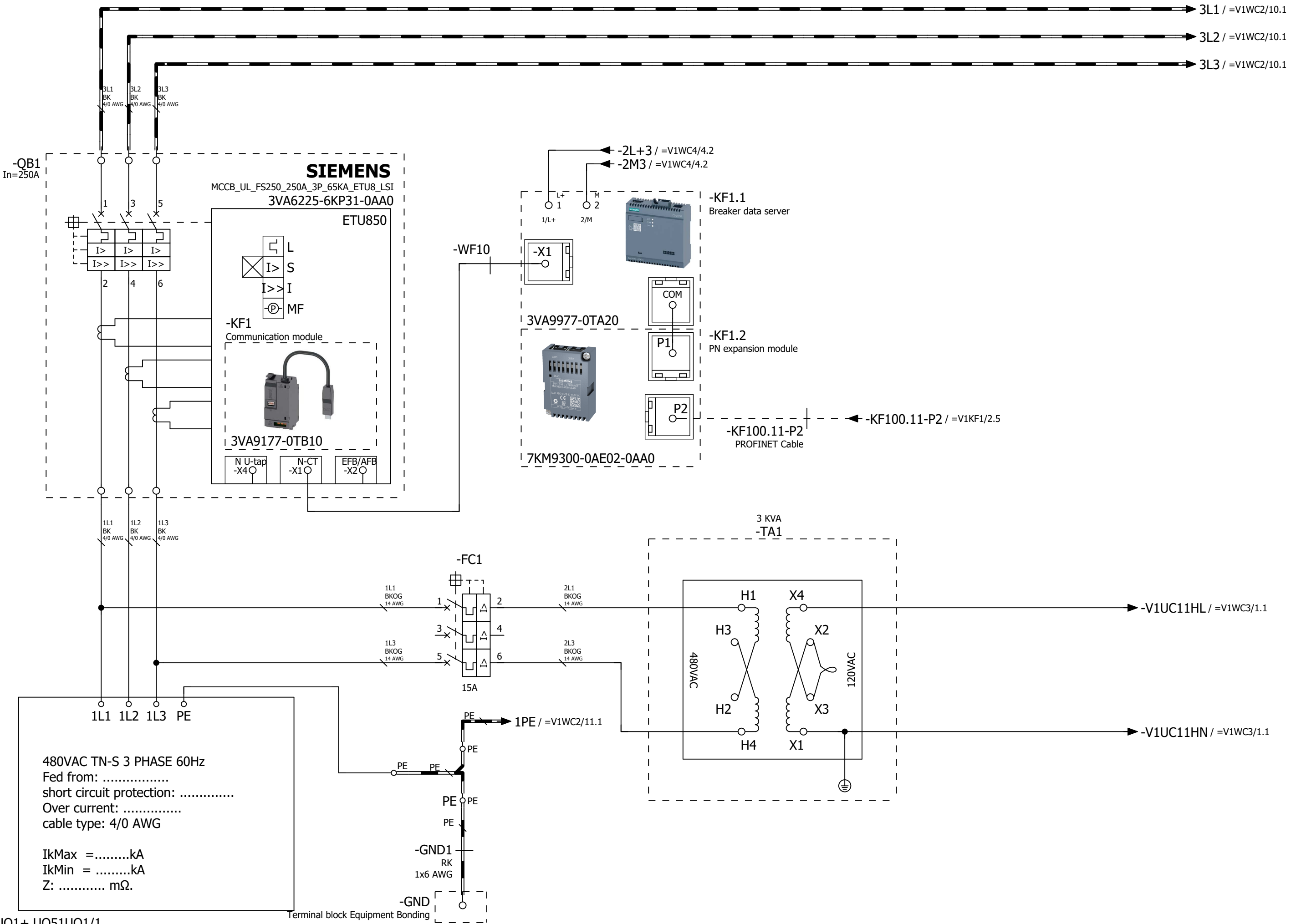
=V1UN1PF1+.UN1/2 =V1UQ51KF1/1

			Date	1/17/2023	Volvo Trucks North America	Valiant TMS	SENSORS	Drawing name:		= V1UQ51BG0	
			Ed.	MKLEPADLO				=2V07&EFS-EL		+ V1UQ51	
			Appr					Document type:	EFS	Project nr:	22-16144
Modification	Date	Name	Original		Replacement of	Replaced by	Scale 1:1			Page	509



-KF1.21
=V1UQ51UQ1+.UQ51UQ1/1.3

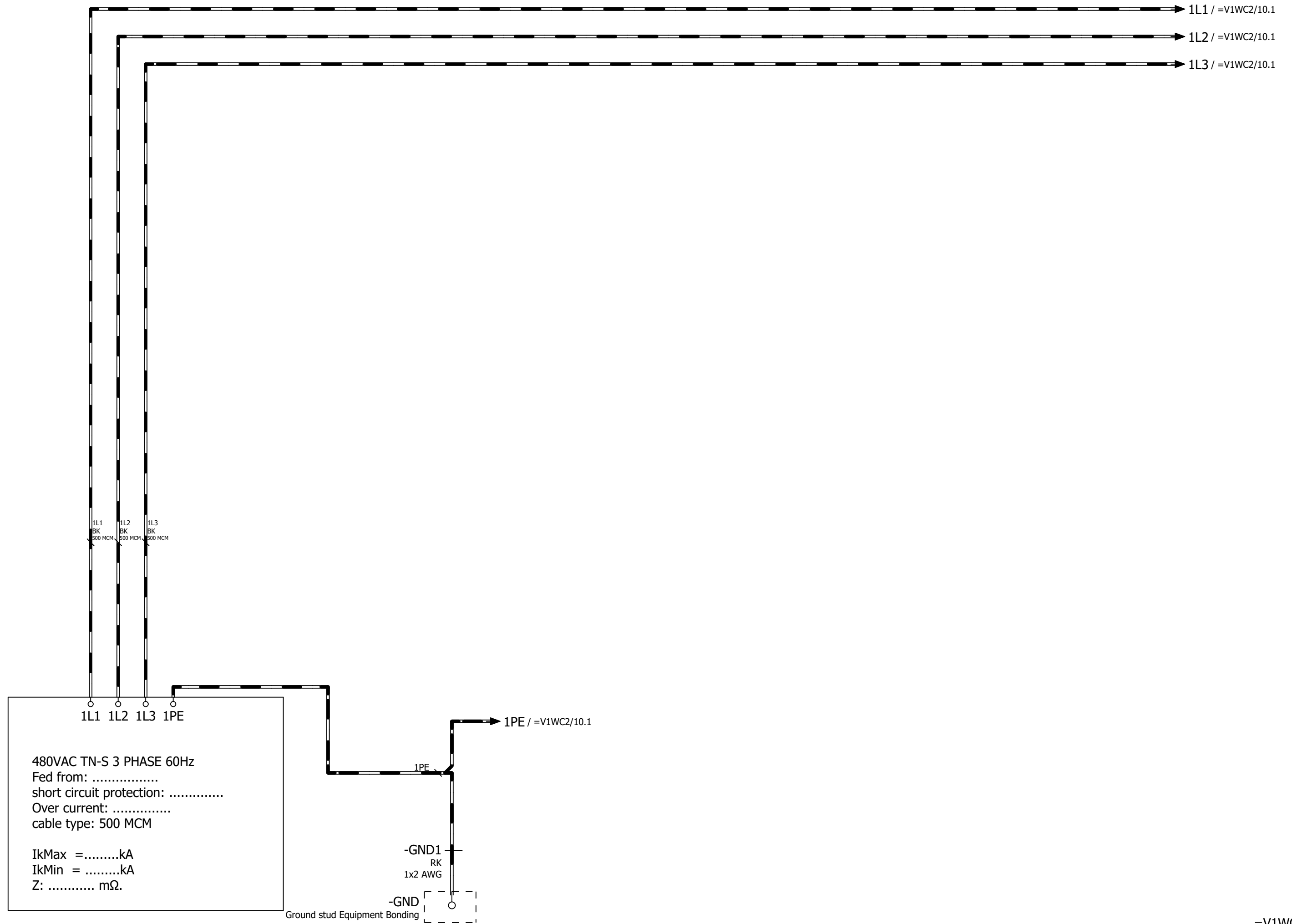
FESTO	=V1UQ51UQ1+.UQ51UQ1/1.4	Q2075.0 $\text{DO}_{1.1}$	-QN1.1_Q	Clamps 1 (RST)
	=V1UQ51UQ1+.UQ51UQ1/1.4	Q2075.1 $\text{DO}_{1.2}$	-QN1.2_Q	Clamps 1 (SET)
		Q2075.2 $\text{DO}_{2.1}$	-QN2.1_Q	Spare
		Q2075.3 $\text{DO}_{2.2}$	-QN2.2_Q	Spare



=V1UQ51UQ1+.UQ51UQ1/1

+ .UC161/1

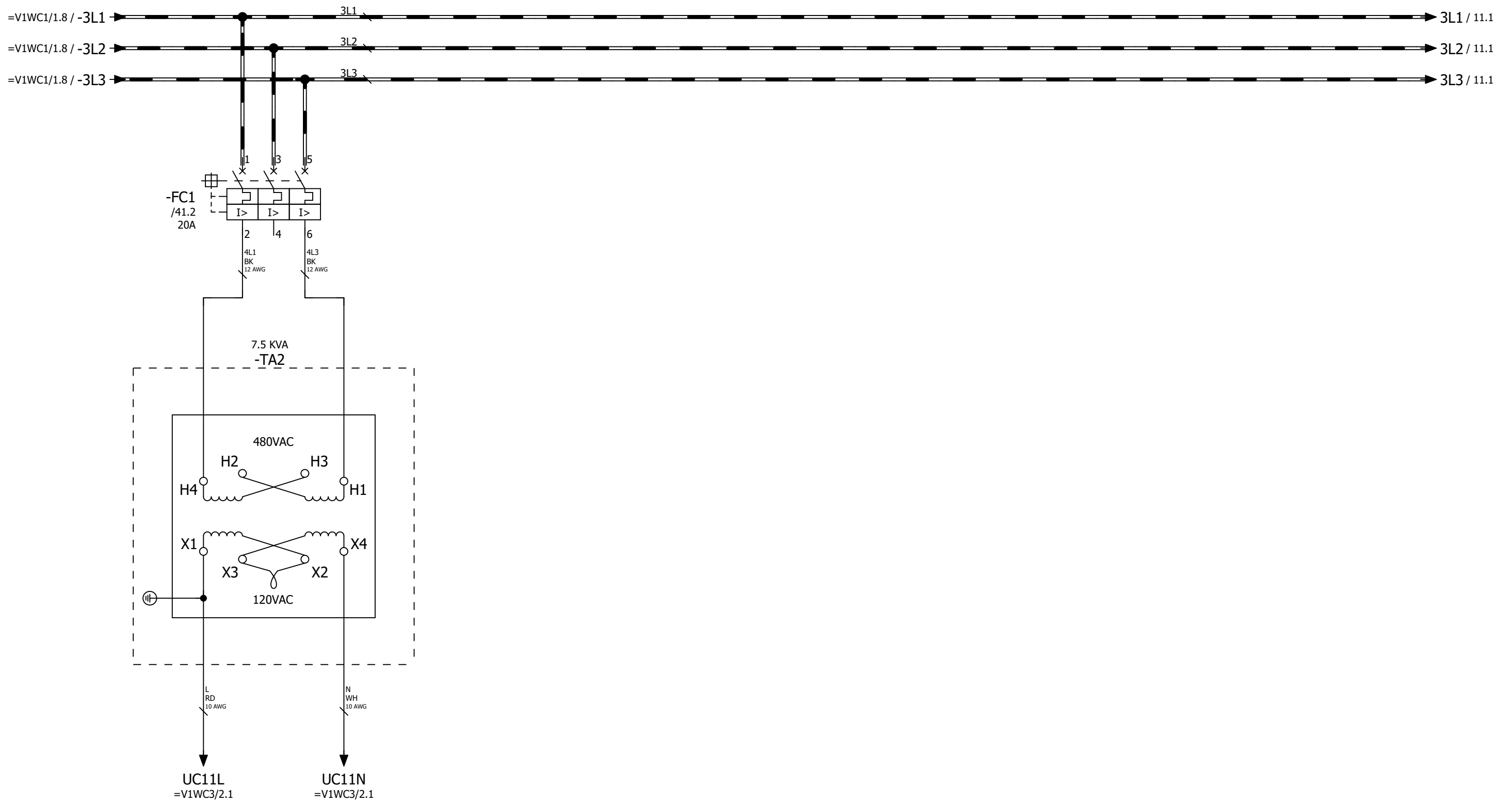
Date: 1/17/2023		Volvo Trucks North America		Valiant TMS		Incoming power supply 480 VAC		Drawing name: = V1WC1	
Ed.: MKLEPADLO		P6700 Roof Inr & Dr Ring LH - Cell 2V07		Scale 1:1				= 2V07&EFS-EL	
Appr:		Replacement of		Replaced by		Document type: EFS		Project nr: 22-16144	
Modification	Date	Name	Original					Page	1
									509



+.UC11/1

=V1WC2+.UC11/10

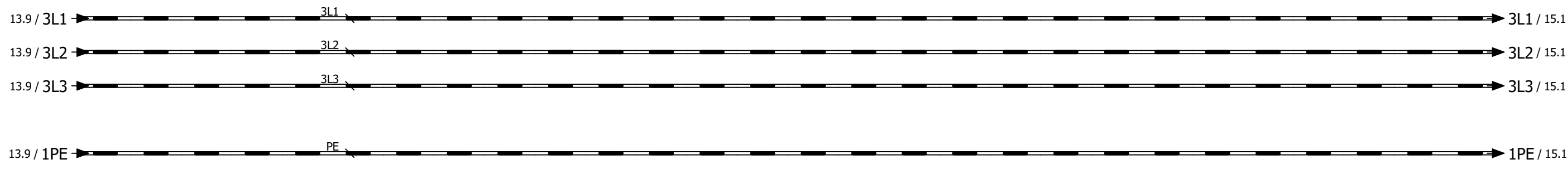
Date		1/17/2023	Volvo Trucks North America		Valiant TMS	Incoming weld power supply 480 VAC	Drawing name:		= V1WC1
Ed.		MKLEPADLO	P6700 Roof Inr & Dr Ring LH - Cell 2V07				=2V07&EFS-EL		+ V1UC161
Appr			Replacement of		Scale 1:1		Document type:	Project nr:	Page
Modification	Date	Name	Replaced by				EFS	22-16144	1




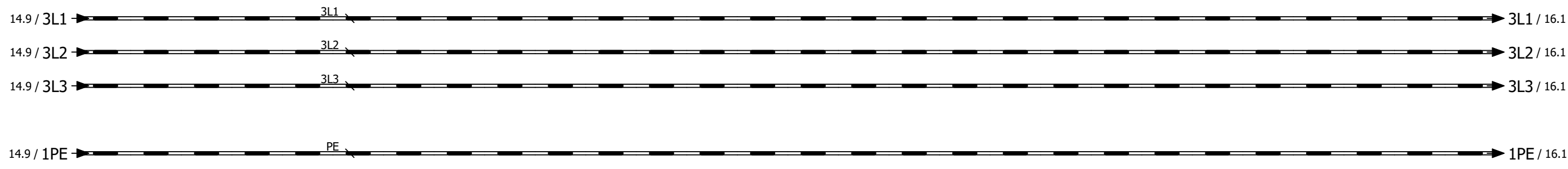
Power Distribution
=V1UC11


=V1WC1+.UC161/1

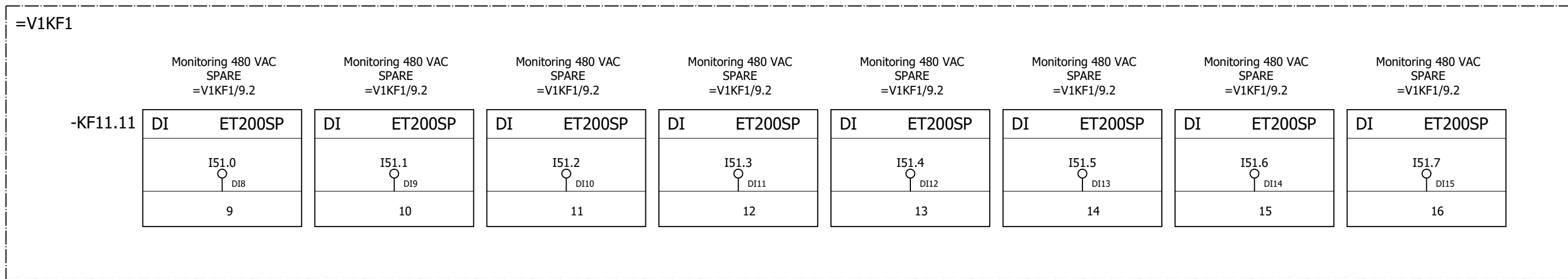
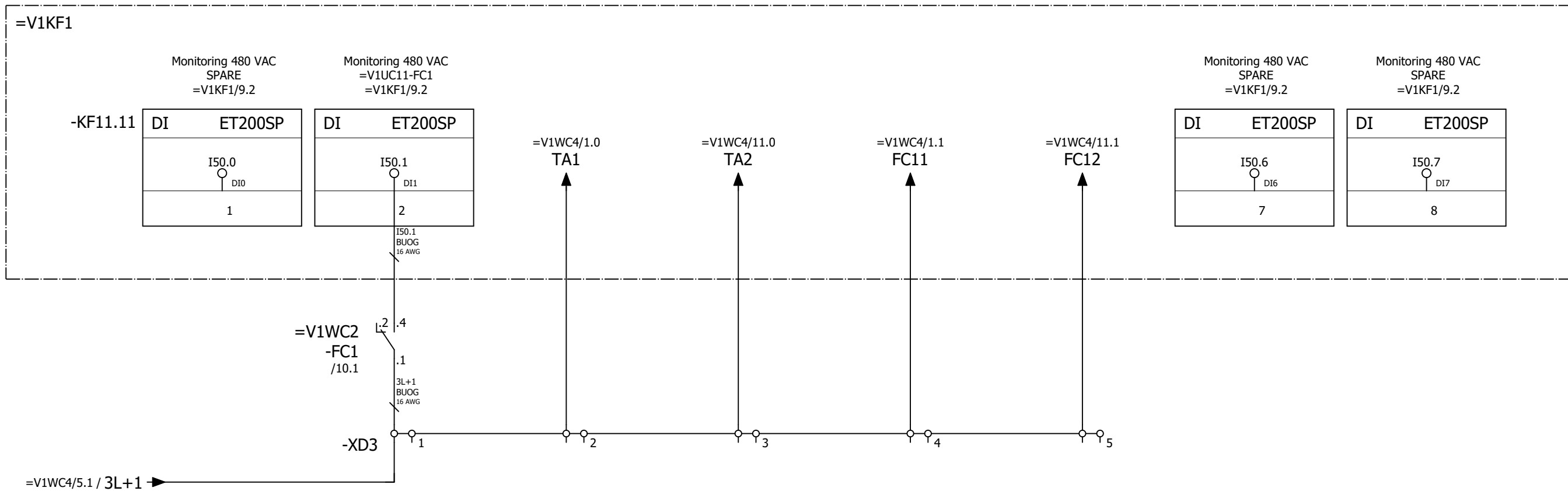
Date		1/17/2023	Volvo Trucks North America		Valiant TMS	Power distribution 480 VAC	Drawing name:		= V1WC2
Ed.		MKLEPADLO	P6700 Roof Inr & Dr Ring LH - Cell 2V07				=2V07&EFS-EL		+ V1UC11
Appr			Replacement of		Scale 1:1	Document type:	Project nr:		Page
Modification	Date	Name	Replaced by				EFS	22-16144	
									509

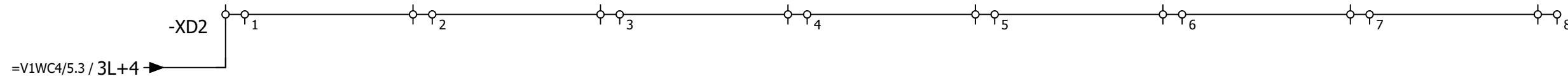
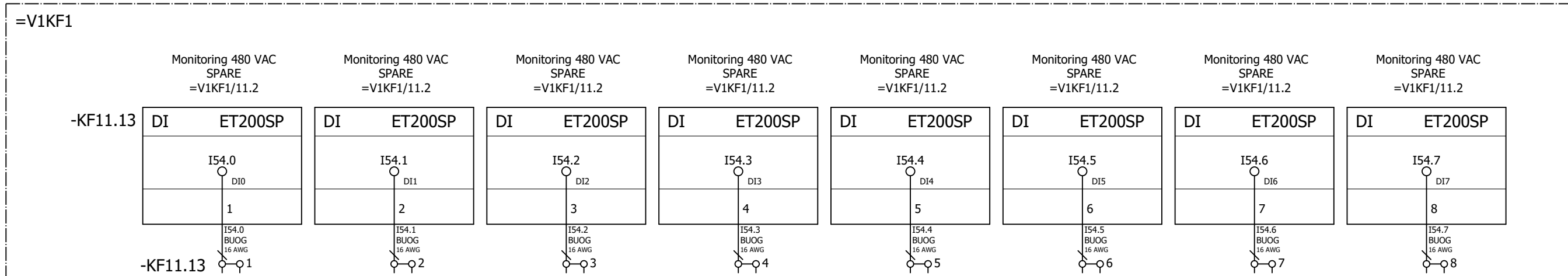


			Date	1/17/2023	Volvo Trucks North America		Valiant TMS	Power distribution 480 VAC	Drawing name:		= V1WC2
			Ed.	MKLEPADLO					=2V07&EFS-EL		+ V1UC11
			Appr		P6700 Roof Inr & Dr Ring LH - Cell 2V07				Document type:	Project nr:	Page
Modification	Date	Name	Original		Replacement of	Replaced by	Scale 1:1		EFS	22-16144	14
											509

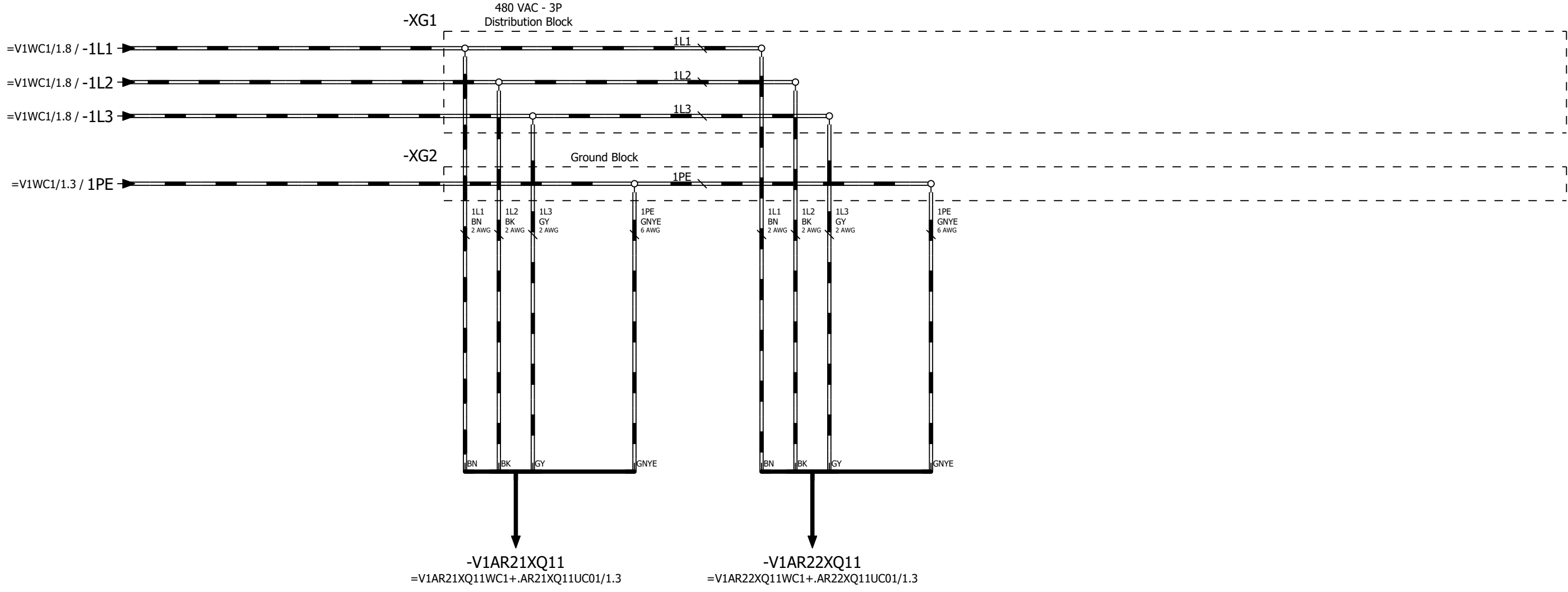


			Date	1/17/2023	Volvo Trucks North America		Valiant TMS	Power distribution 480 VAC	Drawing name:		= V1WC2
			Ed.	MKLEPADLO					=2V07&EFS-EL		+ V1UC11
			Appr		P6700 Roof Inr & Dr Ring LH - Cell 2V07				Document type:	Project nr:	Page
Modification	Date	Name	Original		Replacement of	Replaced by	Scale 1:1		EFS	22-16144	15
											509





Date		1/17/2023		Volvo Trucks North America		Valiant TMS		Power distribution 480 VAC monitoring		Drawing name: =2V07&EFS-EL		= V1WC2	
Ed.		MKLEPADLO		P6700 Roof Inr & Dr Ring LH - Cell 2V07		Scale 1:1				Document type: EFS		Project nr: 22-16144	
Appr				Replacement of		Replaced by				Page		43	
Modification		Date		Name		Original				Page		509	



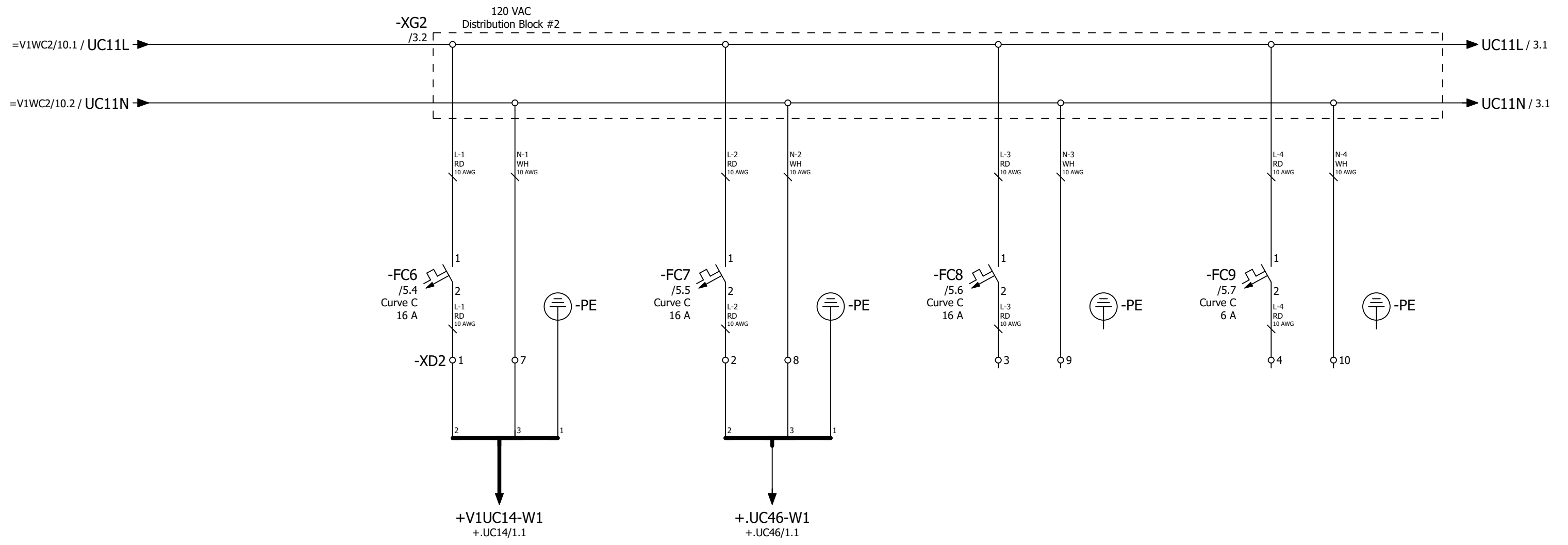
Weld Power
Distribution
480 VAC
AR21 (Weld Timer)
(S010R01)

Weld Power
Distribution
480 VAC
AR22 (Weld Timer)
(S010R02)

+UC11/43

=V1WC3+.UC11/1

			Date	1/17/2023	Volvo Trucks North America		Valiant TMS	Weld power distribution 480 VAC	Drawing name: =2V07&EFS-EL	= V1WC2 + V1UC161
			Ed.	MKLEPADLO	P6700 Roof Inr & Dr Ring LH - Cell 2V07				Document type: EFS	Project nr: 22-16144
Modification	Date	Name	Original		Replacement of	Replaced by	Scale 1:1			Page 10 509



Power Distribution
120 VAC
UC14 (RIO)

Power Distribution
120 VAC
UC46 (TT RIO)

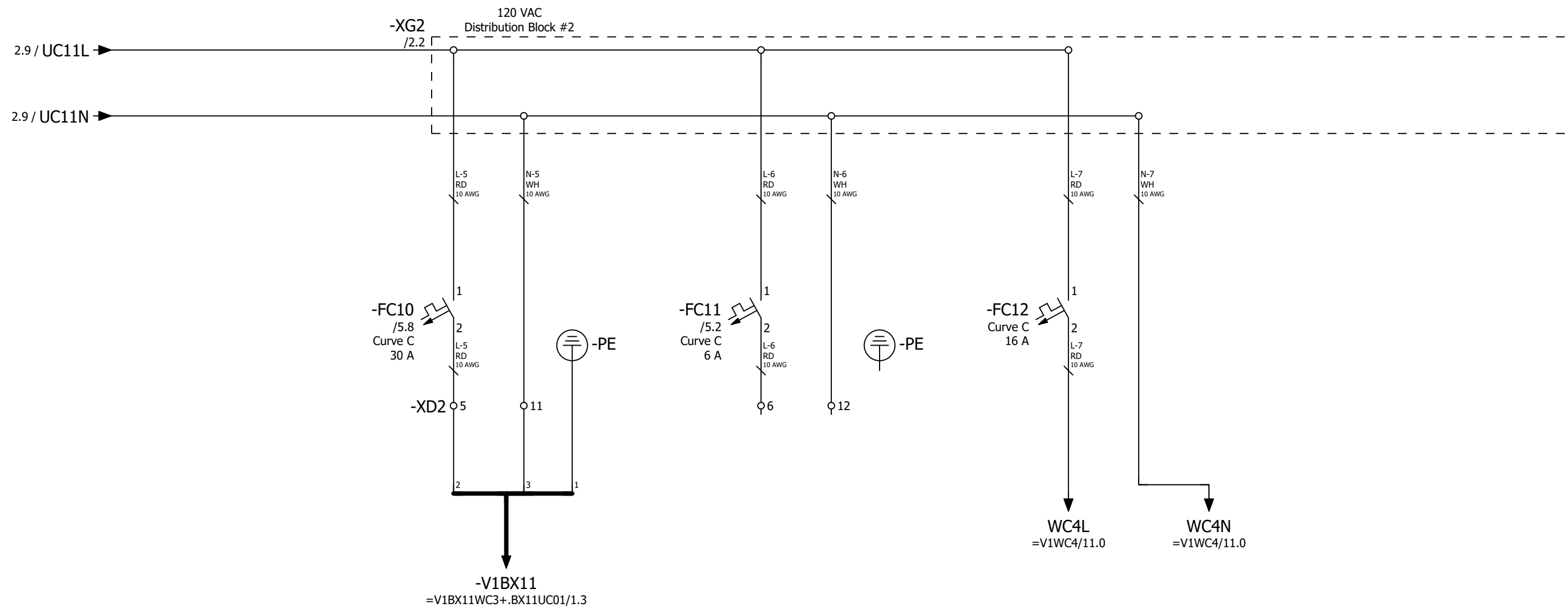
Power Distribution
120 VAC
(SPARE)

Power Distribution
120 VAC
(SPARE)

1

3

Date		1/17/2023		Volvo Trucks North America		Valiant TMS		Power Distribution 120 VAC (Below Disconnect)		Drawing name: =2V07&EFS-EL		= V1WC3	
Ed.		MKLEPADLO		P6700 Roof Inr & Dr Ring LH - Cell 2V07		Scale 1:1				Document type: EFS		Project nr: 22-16144	
Appr				Replacement of		Replaced by						Page 2	
Modification		Date		Name		Original						Page 509	

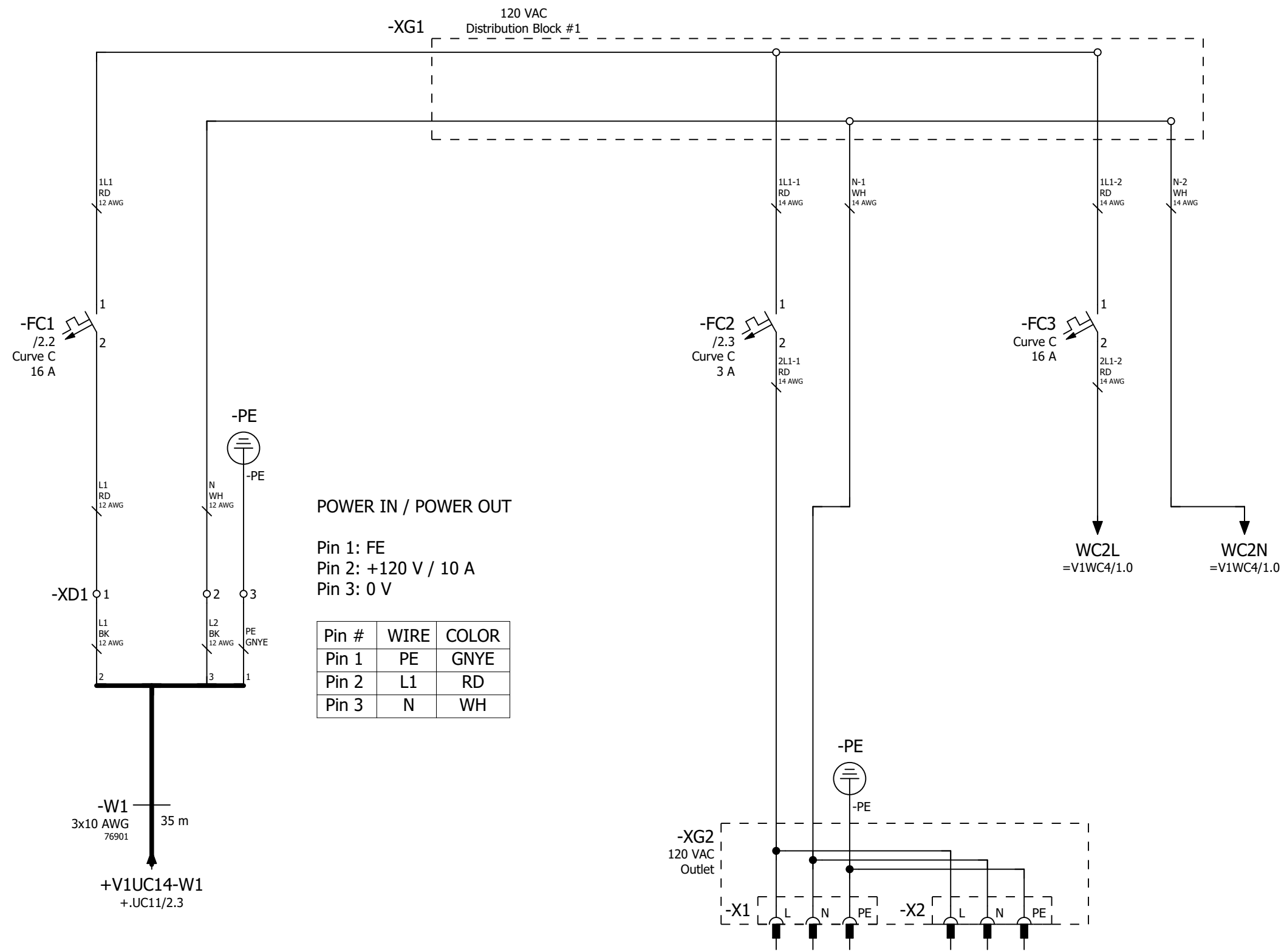


Power Distribution
120 VAC
V1AR191 (Vision Controller)

Power Distribution
120 VAC
(SPARE)

Power Distribution
120 VAC
To Below Disconnect 24VDC Power Supply

Date		1/17/2023		Volvo Trucks North America		Valiant TMS		Power Distribution 120 VAC (Below Disconnect)		Drawing name: =2V07&EFS-EL		= V1WC3 + V1UC11	
Ed.		MKLEPADLO		P6700 Roof Inr & Dr Ring LH - Cell 2V07		Scale 1:1				Document type: EFS		Project nr: 22-16144	
Modification	Date	Name	Original	Replacement of	Replaced by							Page	3
													509



Power Distribution 120 VAC Programming Port

Power Distribution 120 VAC To 24VDC Power Supply

+.UC11/5

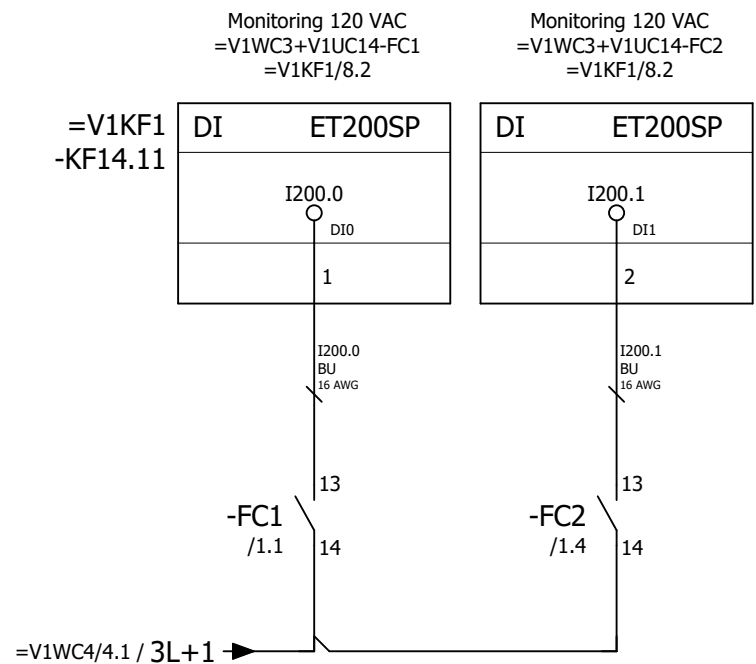
2


Modification	Date	Name	Original	Replacement of	Replaced by	Scale 1:1	Power distribution 120 VAC	Drawing name: =2V07&EFS-EL	= V1WC3 + V1UC14	Page 1
								Document type: EFS	Project nr: 22-16144	509

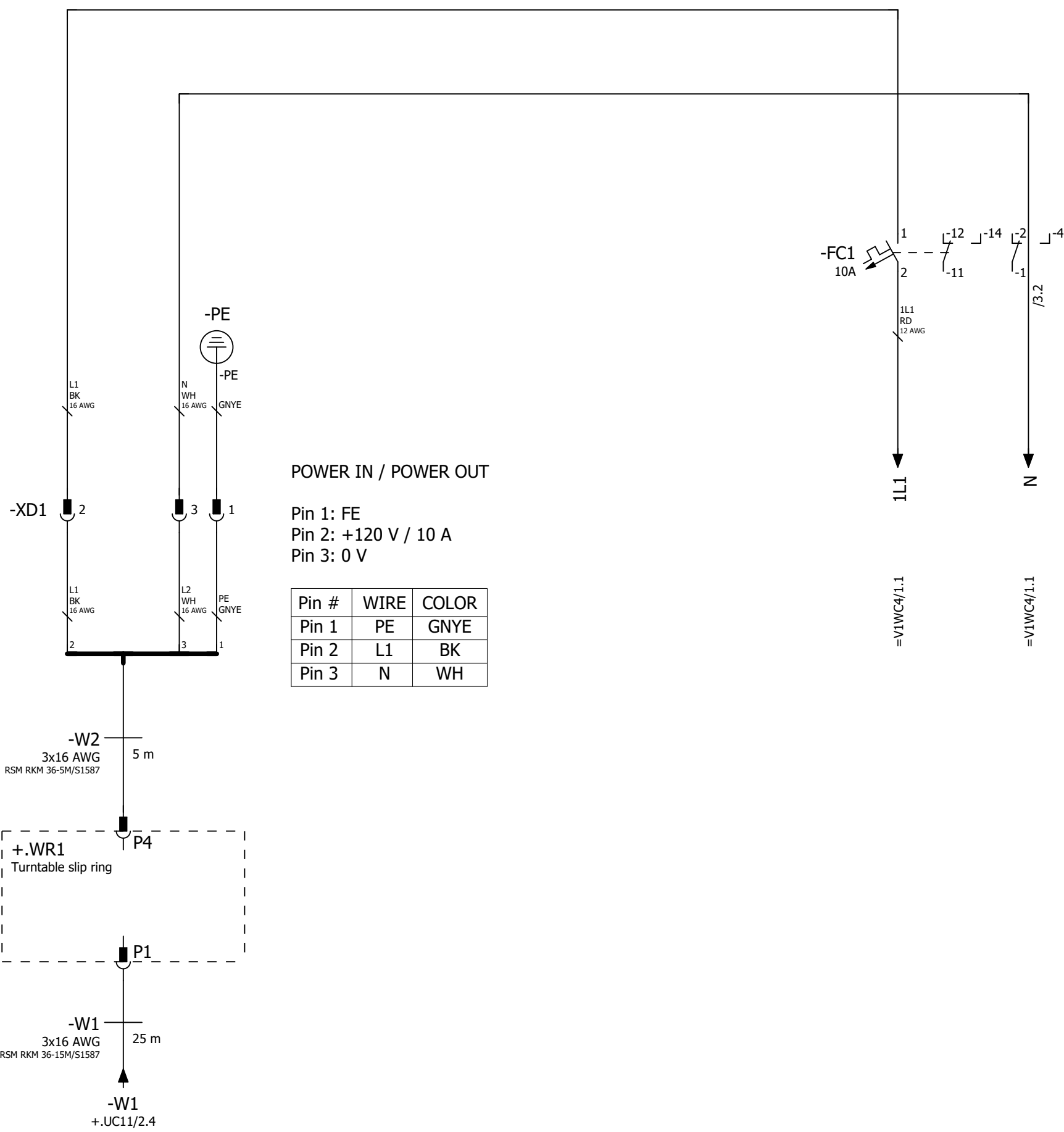
Volvo Trucks North America
P6700 Roof Inr & Dr Ring LH - Cell 2V07



Valiant TMS



Date	1/17/2023	Volvo Trucks North America	Valiant TMS	Monitoring 120VAC	Drawing name:	= V1WC3		
Ed.	MKLEPADLO		Scale 1:1		=2V07&EFS-EL	+ V1UC14		
Appr					P6700 Roof Inr & Dr Ring LH - Cell 2V07	Document type:	Project nr:	Page
Modification	Date	Name	Original	Replacement of	Replaced by	EFS	22-16144	2
							509	



POWER IN / POWER OUT

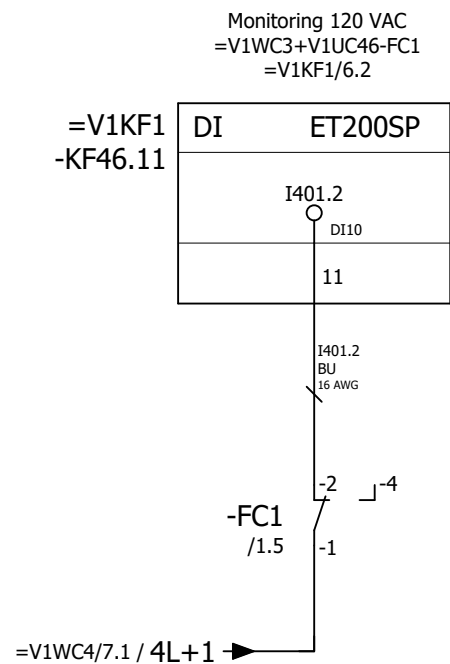
Pin 1: FE
 Pin 2: +120 V / 10 A
 Pin 3: 0 V

Pin #	WIRE	COLOR
Pin 1	PE	GNYE
Pin 2	L1	BK
Pin 3	N	WH

Power Distribution
 24 VDC
 Power Supply

+ .UC14/2

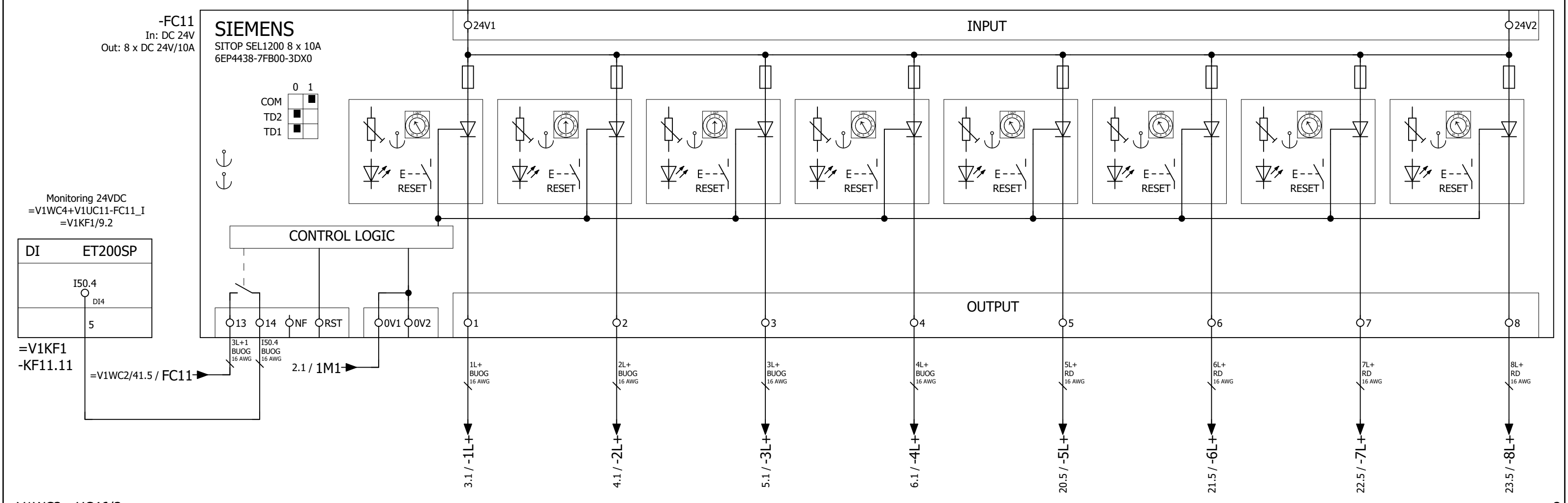
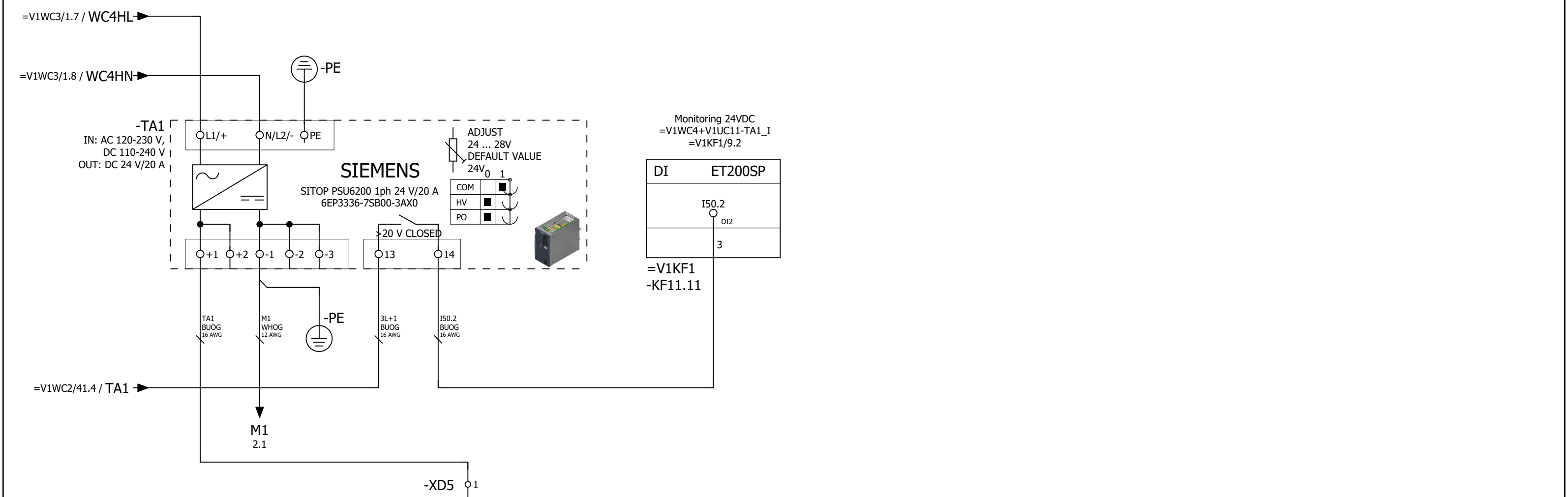
Date	1/17/2023	Volvo Trucks North America	Valiant TMS	Power distribution 120 VAC	Drawing name:	= V1WC3		
Ed.	MKLEPADLO		Scale 1:1		= 2V07&EFS-EL	+ V1UC46		
Appr					P6700 Roof Inr & Dr Ring LH - Cell 2V07	Document type:	Project nr:	Page
Modification	Date	Name	Original	Replacement of	Replaced by	EFS	22-16144	509




1

=V1WC4+.UC11/1


		Date	1/17/2023	Volvo Trucks North America	Valiant TMS	Monitoring 120VAC	Drawing name:		= V1WC3
		Ed.	MKLEPADLO				=2V07&EFS-EL		+ V1UC46
		Appr		P6700 Roof Inr & Dr Ring LH - Cell 2V07	Scale 1:1		Document type:	Project nr:	Page
Modification	Date	Name	Original	Replacement of			Replaced by	EFS	22-16144
									509






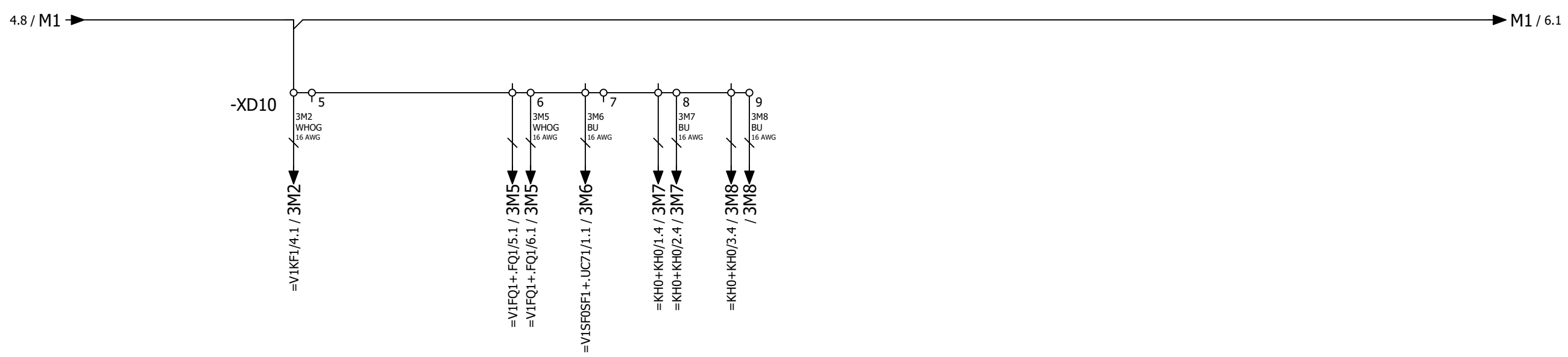
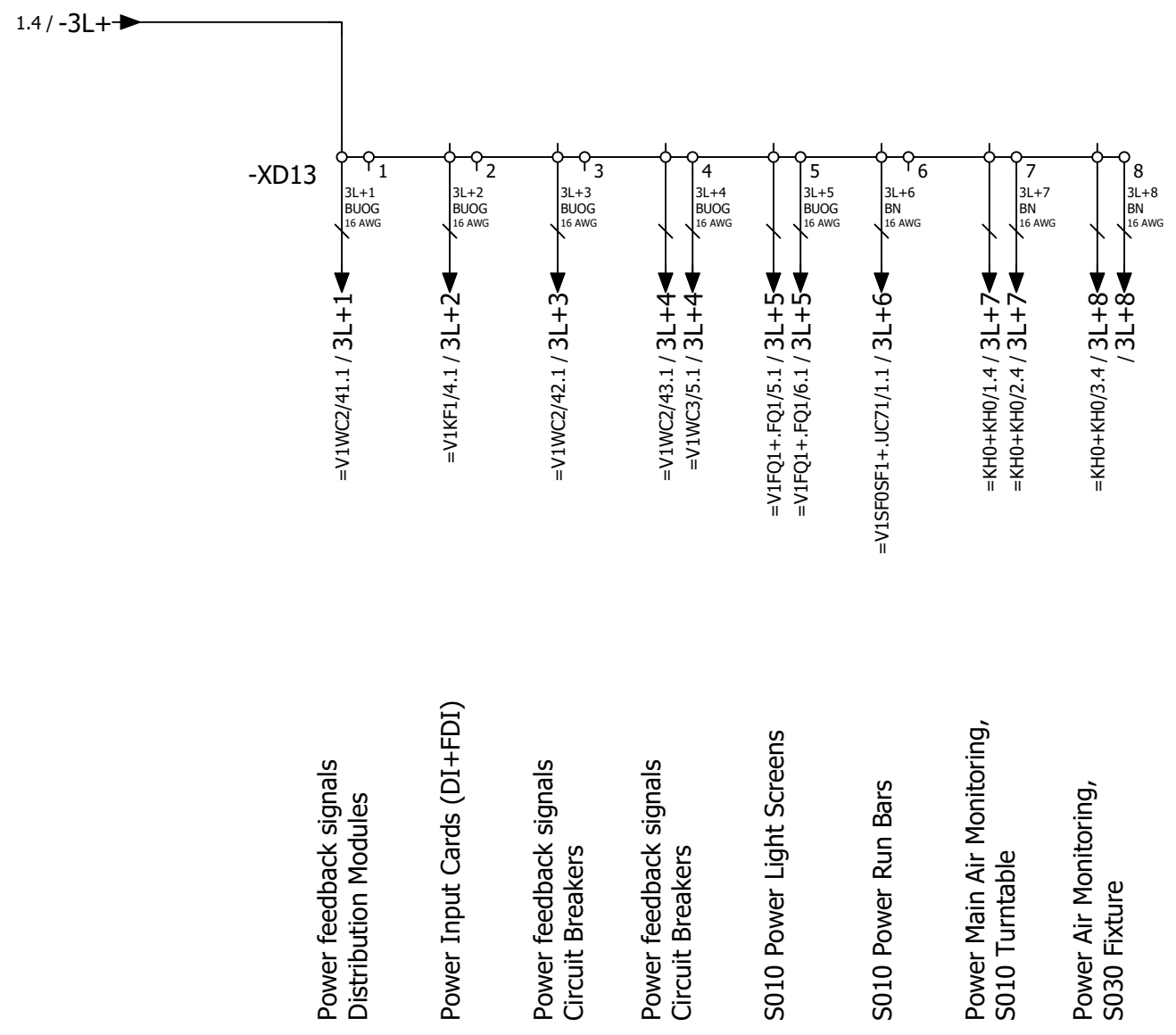
			Date	1/17/2023	Volvo Trucks North America	 Valiant TMS	Power distribution 24VDC HL+	Drawing name:		= V1WC4
			Ed.	MKLEPADLO	P6700 Roof Inr & Dr Ring LH - Cell 2V07			=2V07&EFS-EL		+ V1UC11
			Appr		Replacement of	Replaced by	Scale 1:1	Document type:	Project nr:	Page
Modification	Date	Name	Original					EFS	22-16144	2
										509



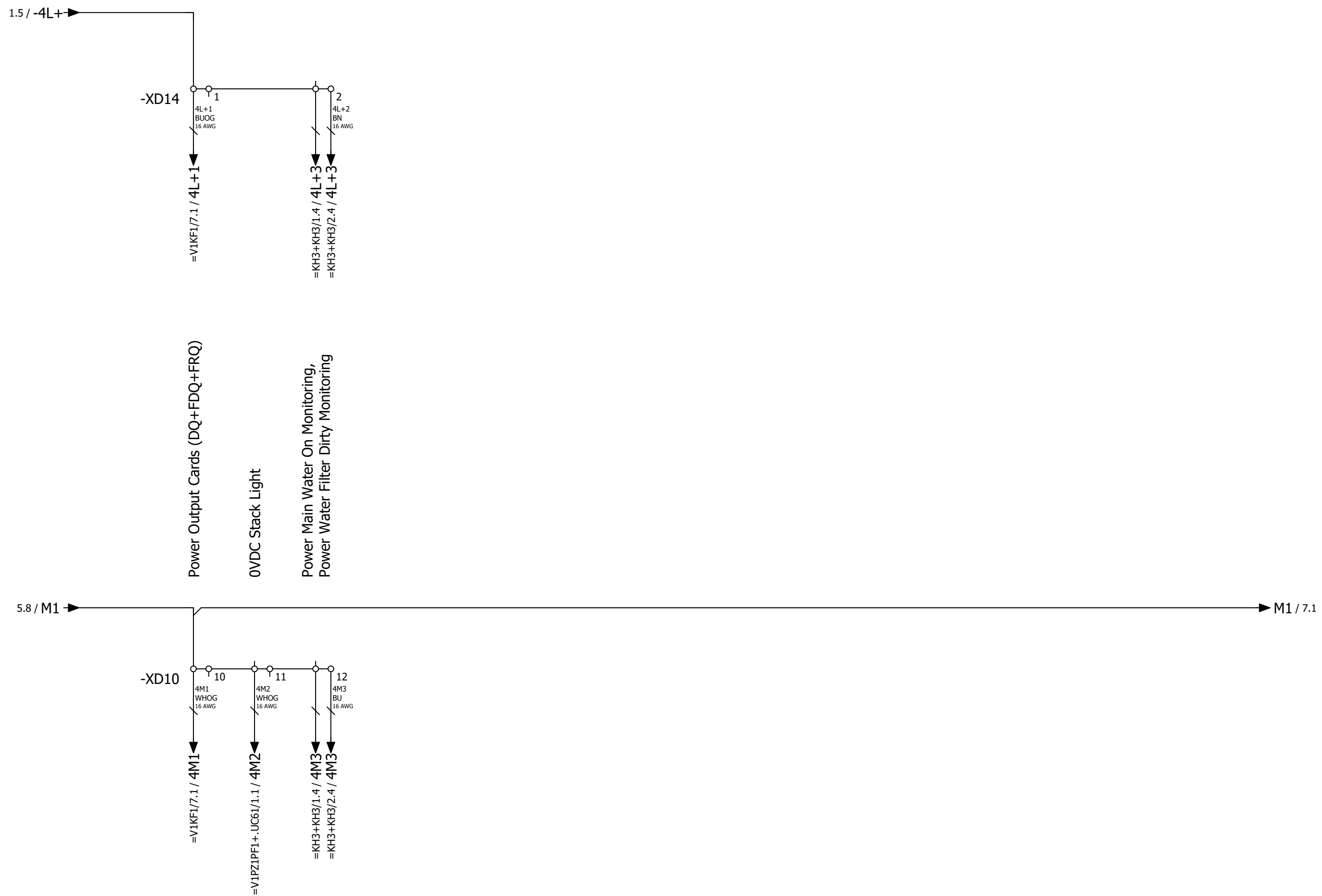
			Date	1/17/2023	Volvo Trucks North America	 Valiant TMS	Power distribution 24VDC 1L+	Drawing name:		= V1WC4
			Ed.	MKLEPADLO	P6700 Roof Inr & Dr Ring LH - Cell 2V07			=2V07&EFS-EL		+ V1UC11
			Appr		Replacement of	Replaced by	Scale 1:1	Document type:	Project nr:	Page
Modification	Date	Name	Original					EFS	22-16144	3
										509




			Date	1/17/2023	Volvo Trucks North America		 Valiant TMS	Power distribution 24VDC 2L+		Drawing name:		= V1WC4
			Ed.	MKLEPADLO	P6700 Roof Inr & Dr Ring LH - Cell 2V07					=2V07&EFS-EL		+ V1UC11
			Appr		Replacement of		Scale 1:1	Document type:		Project nr:		Page
Modification	Date	Name	Original		Replaced by			EFS		22-16144		4
											509	



			Date	1/17/2023	Volvo Trucks North America		Valiant TMS		Power distribution 24VDC 3L+		Drawing name: =2V07&EFS-EL		= V1WC4 + V1UC11	
			Ed.	MKLEPADLO	P6700 Roof Inr & Dr Ring LH - Cell 2V07		Scale 1:1				Document type: EFS		Project nr: 22-16144	
Modification	Date	Name	Original		Replacement of	Replaced by							Page	5
														509



			Date	1/17/2023	Volvo Trucks North America	Valiant TMS	Power distribution 24VDC 4L+	Drawing name:		= V1WC4	
			Ed.	MKLEPADLO		Scale 1:1		=2V07&EFS-EL		+ V1UC11	
			Appr					Document type:	EFS	Project nr:	22-16144
Modification	Date	Name	Original		Replacement of	Replaced by					509

Unswitched Power 2 (US)

7.8 / M1


M1 / 9.1

-XD10

14

6M1
WHYE
16 AWG

21.4 / 6M1

			Date	1/17/2023	Volvo Trucks North America		Valiant TMS	Power distribution 24VDC 6L+	Drawing name:		= V1WC4
			Ed.	MKLEPADLO	P6700 Roof Inr & Dr Ring LH - Cell 2V07				=2V07&EFS-EL		+ V1UC11
			Appr		Replacement of	Replaced by	Scale 1:1		Document type:	Project nr:	Page
Modification	Date	Name	Original						EFS	22-16144	8
											509

Unswitched Power 3 (US)

8.8 / M1

M1 / 10.1

-XD10

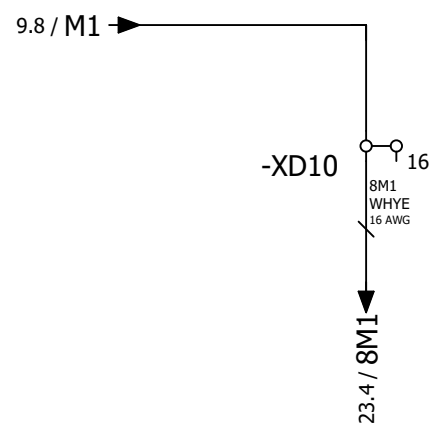
15


7M1
WHYE
16 AWG

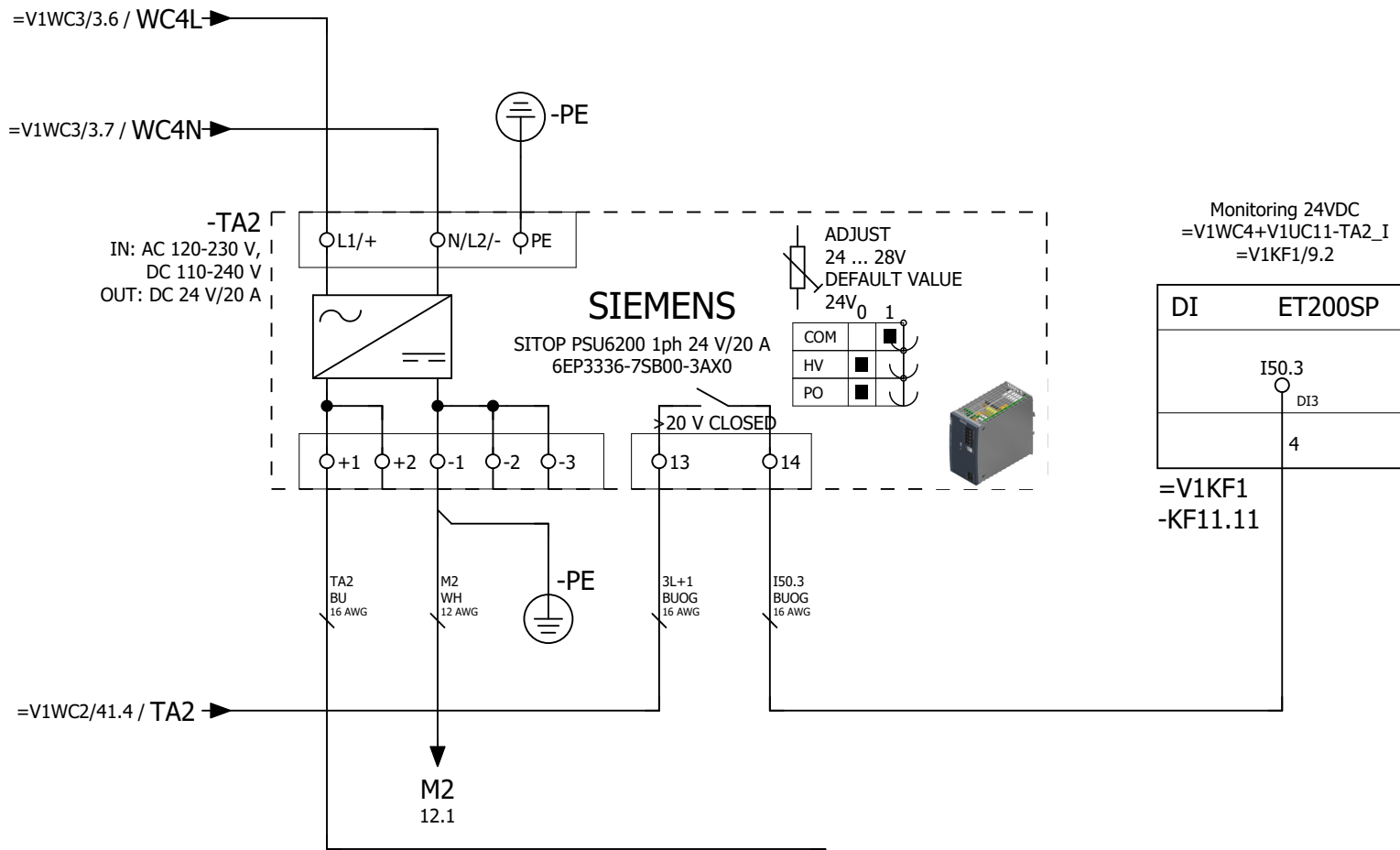
22.4 / 7M1

			Date	1/17/2023	Volvo Trucks North America	Valiant TMS	Power distribution 24VDC 7L+	Drawing name:		= V1WC4
			Ed.	MKLEPADLO				=2V07&EFS-EL		+ V1UC11
			Appr		P6700 Roof Inr & Dr Ring LH - Cell 2V07	Scale 1:1		Document type:	Project nr:	Page
Modification	Date	Name	Original		Replacement of			Replaced by	EFS	22-16144
										509

Unswitched Power 4 (US)

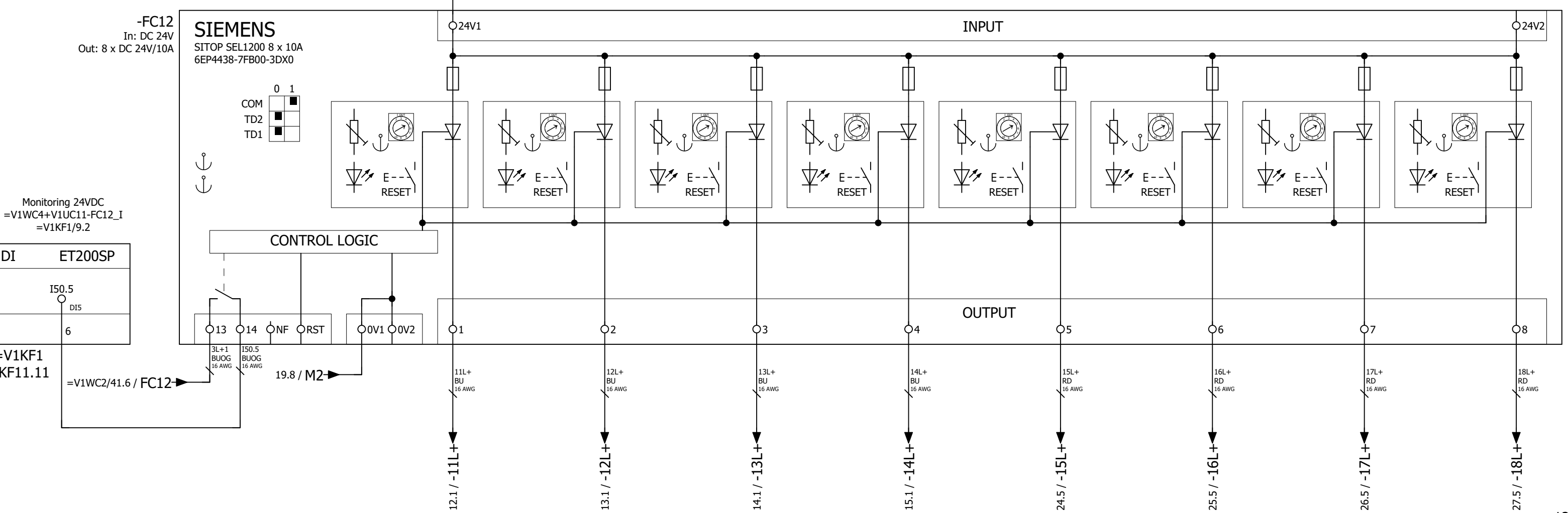


			Date	1/17/2023	Volvo Trucks North America		Valiant TMS	Power distribution 24VDC 8L+	Drawing name:		= V1WC4
			Ed.	MKLEPADLO	P6700 Roof Inr & Dr Ring LH - Cell 2V07				=2V07&EFS-EL		+ V1UC11
			Appr						Document type:	Project nr:	Page
Modification	Date	Name	Original		Replacement of	Replaced by	Scale 1:1		EFS	22-16144	10
											509



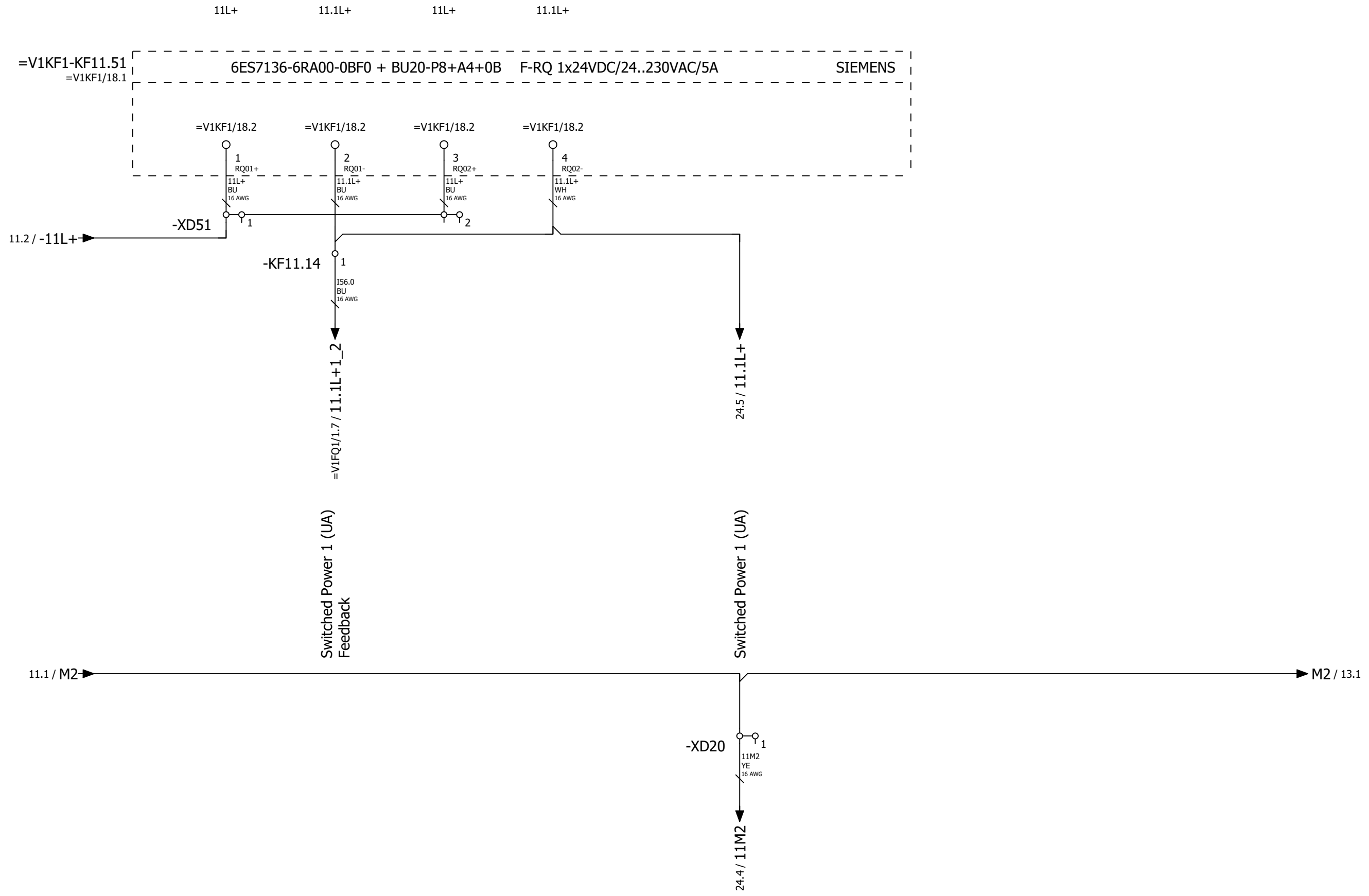
Monitoring 24VDC
=V1WC4+V1UC11-TA2_I
=V1KF1/9.2


DI	ET200SP
	I50.3
	DI3
	4




Monitoring 24VDC
=V1WC4+V1UC11-FC12_I
=V1KF1/9.2

DI	ET200SP
	I50.5
	DI5
	6




			Date	1/17/2023	Volvo Trucks North America	Valiant TMS	Power distribution 24VDC 11L+	Drawing name: =V1WC4		= V1WC4	
			Ed.	MKLEPADLO	 P6700 Roof Inr & Dr Ring LH - Cell 2V07 Replacement of	Scale 1:1		=2V07&EFS-EL		+ V1UC11	
			Appr					Document type:	EFS	Project nr:	22-16144
Modification	Date	Name	Original		Replaced by					Page	509




			Date	1/17/2023	Volvo Trucks North America		Valiant TMS	Power distribution 24VDC 15L+	Drawing name:		= V1WC4
			Ed.	MKLEPADLO	P6700 Roof Inr & Dr Ring LH - Cell 2V07				=2V07&EFS-EL		+ V1UC11
			Appr		Replacement of	Replaced by	Scale 1:1		Document type:	Project nr:	Page
Modification	Date	Name	Original						EFS	22-16144	16
											509




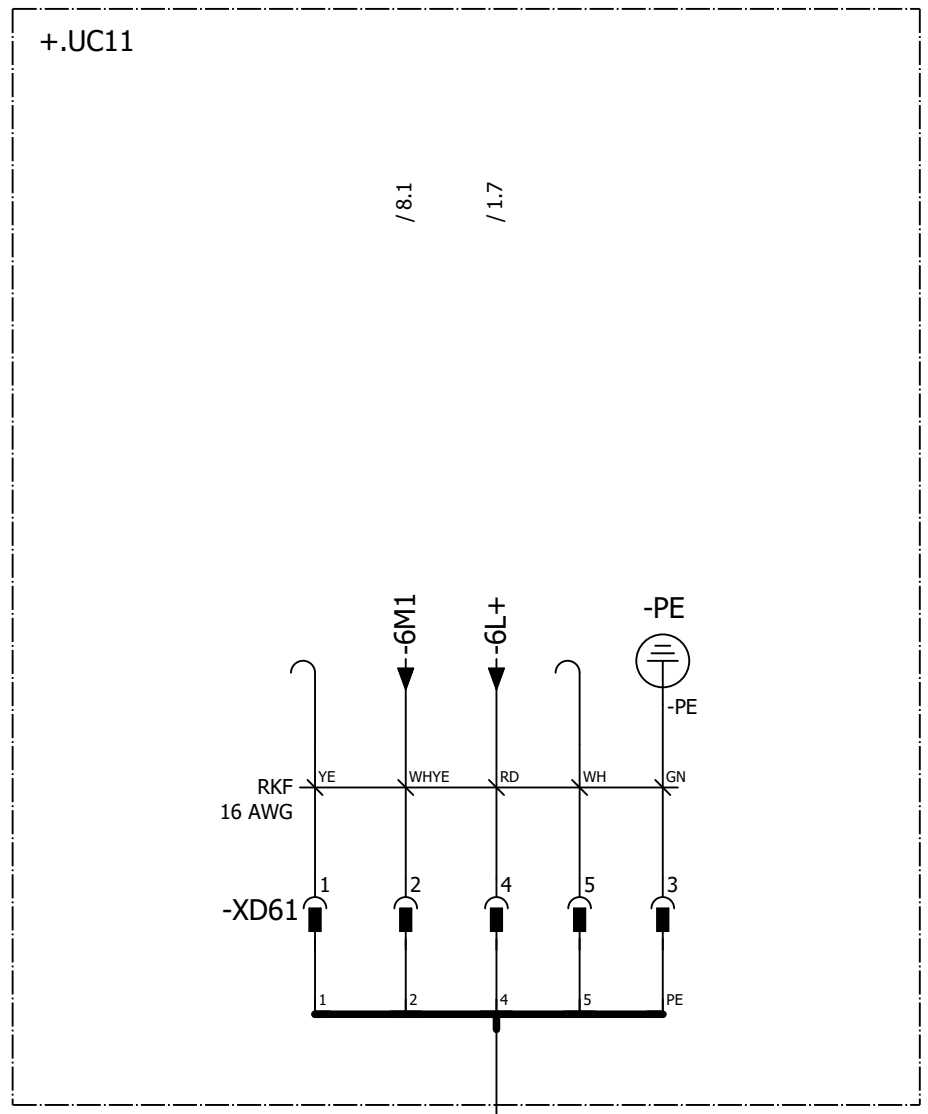
			Date	1/17/2023	Volvo Trucks North America		Valiant TMS	Power distribution 24VDC 16L+	Drawing name:		= V1WC4
			Ed.	MKLEPADLO	P6700 Roof Inr & Dr Ring LH - Cell 2V07				=2V07&EFS-EL		+ V1UC11
			Appr						Document type:	Project nr:	Page
Modification	Date	Name	Original		Replacement of	Replaced by	Scale 1:1		EFS	22-16144	17
											509



			Date	1/17/2023	Volvo Trucks North America		Valiant TMS	Power distribution 24VDC 17L+	Drawing name:		= V1WC4
			Ed.	MKLEPADLO	P6700 Roof Inr & Dr Ring LH - Cell 2V07				=2V07&EFS-EL		+ V1UC11
			Appr.						Document type:	Project nr:	Page
Modification	Date	Name	Original		Replacement of	Replaced by	Scale 1:1		EFS	22-16144	18
											509



			Date	1/17/2023	Volvo Trucks North America		Valiant TMS	Power distribution 24VDC 18L+	Drawing name:		= V1WC4
			Ed.	MKLEPADLO	P6700 Roof Inr & Dr Ring LH - Cell 2V07				=2V07&EFS-EL		+ V1UC11
			Appr						Document type:	Project nr:	Page
Modification	Date	Name	Original		Replacement of	Replaced by	Scale 1:1		EFS	22-16144	19
											509



POWER IN / POWER OUT

- Pin 1: 0 V UA
- Pin 2: 0 V US
- Pin 3: FE
- Pin 4: +24 V US / 9 A
- Pin 5: +24 V UA / 9 A

Pin #	WIRE	COLOR
Pin 1	N/C	YE
Pin 2	-6M1	WHYE
Pin 3	GND	GN
Pin 4	-6L+	RD
Pin 5	N/C	WH

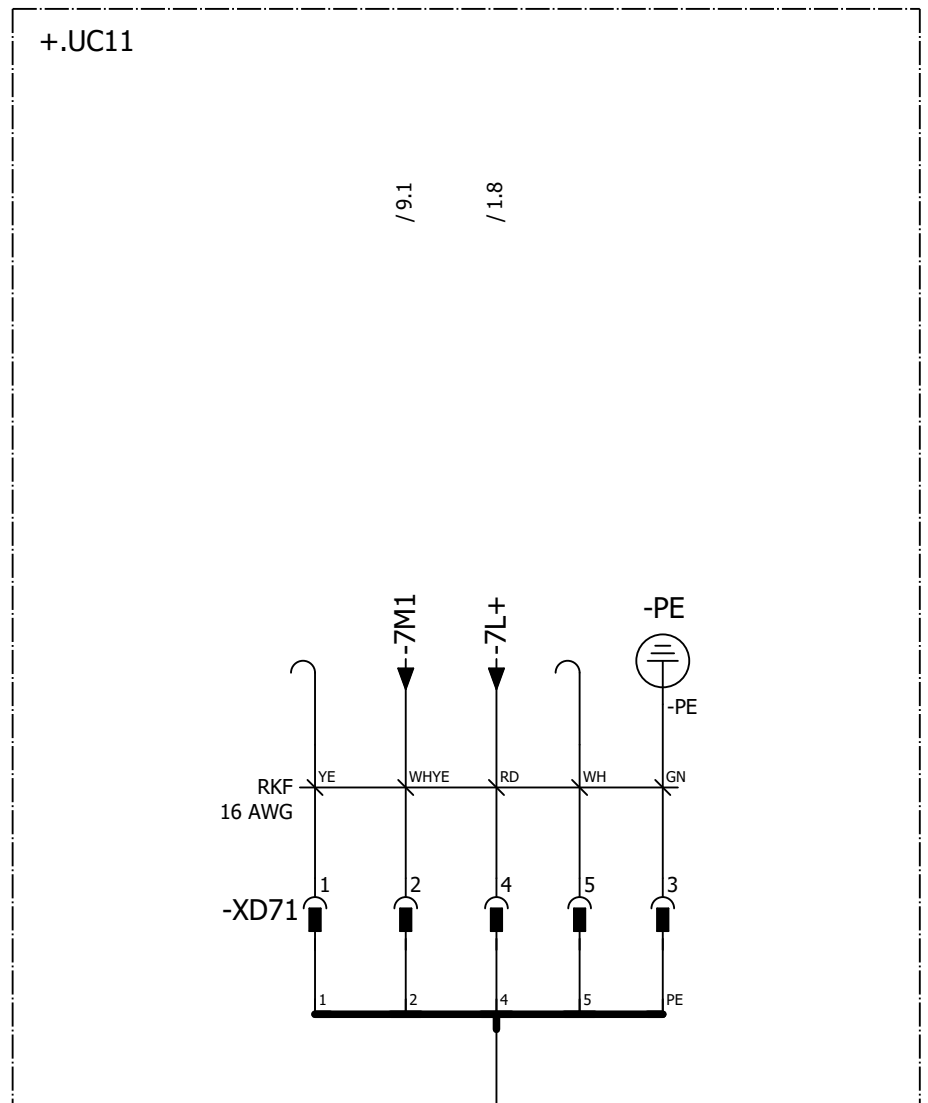
+.FQ1-BG1
=V1FQ1+.FQ1/1.3

Date 1/17/2023
Ed. MKLEPADLO

Volvo Trucks North America
P6700 Roof Inr & Dr Ring LH - Cell 2V07



Valiant TMS 24VDC Unswitched Power 2

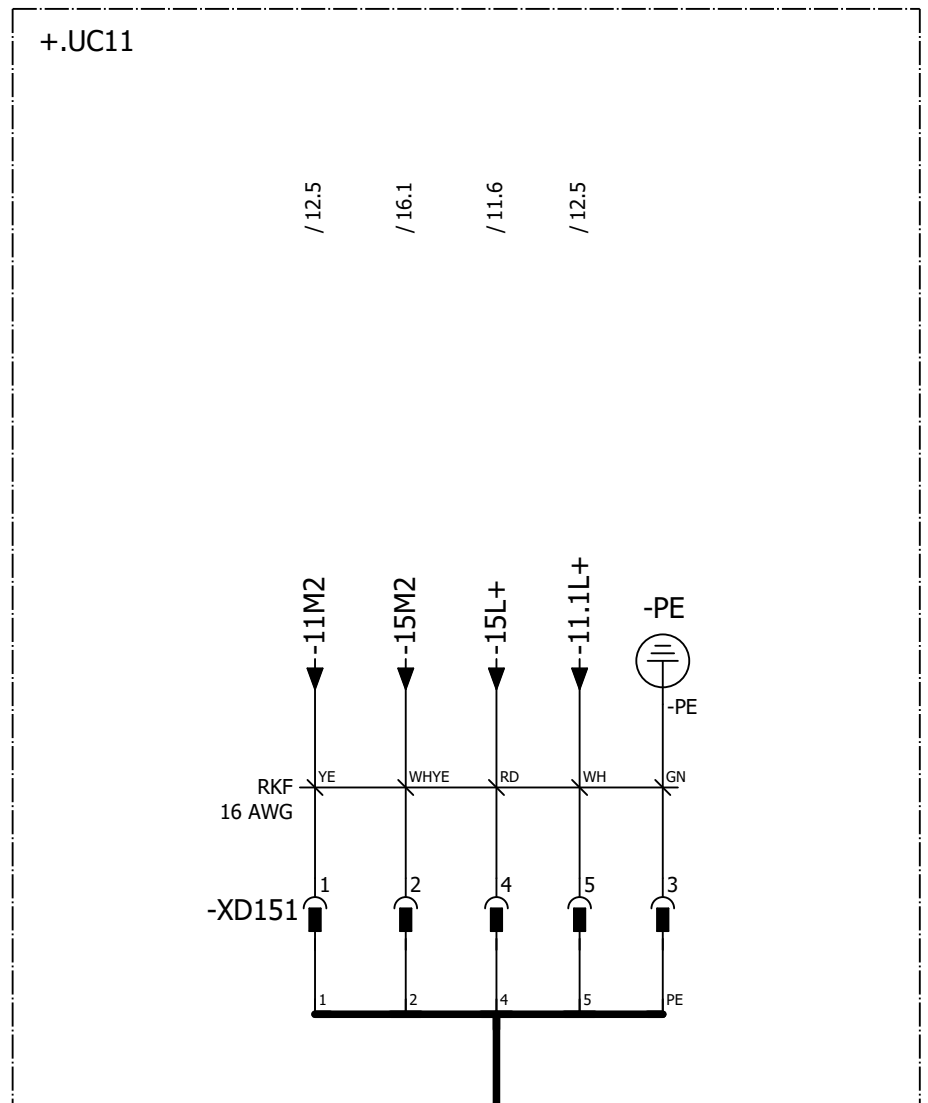


POWER IN / POWER OUT

- Pin 1: 0 V UA
- Pin 2: 0 V US
- Pin 3: FE
- Pin 4: +24 V US / 9 A
- Pin 5: +24 V UA / 9 A

Pin #	WIRE	COLOR
Pin 1	N/C	YE
Pin 2	-7M1	WHYE
Pin 3	GND	GN
Pin 4	-7L+	RD
Pin 5	N/C	WH

+.FQ1-BG2
=V1FQ1+.FQ1/2.3

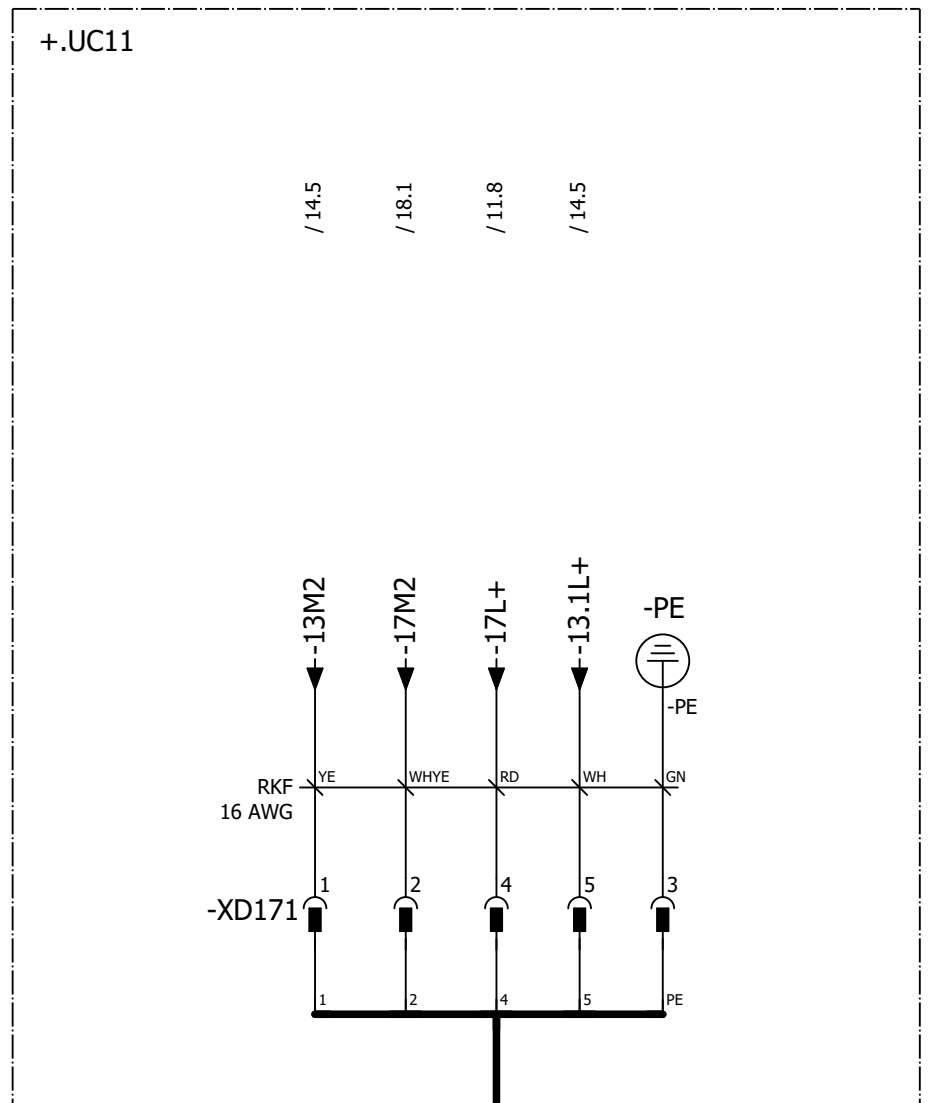


POWER IN / POWER OUT

- Pin 1: 0 V UA
- Pin 2: 0 V US
- Pin 3: FE
- Pin 4: +24 V US / 9 A
- Pin 5: +24 V UA / 9 A

Pin #	WIRE	COLOR
Pin 1	-11M2	YE
Pin 2	-15M2	WHYE
Pin 3	GND	GN
Pin 4	-15L+	RD
Pin 5	-11.1L+	WH

+.U10U01-KF1.X01
=V1U10U01KF1+.U10U01/10.1

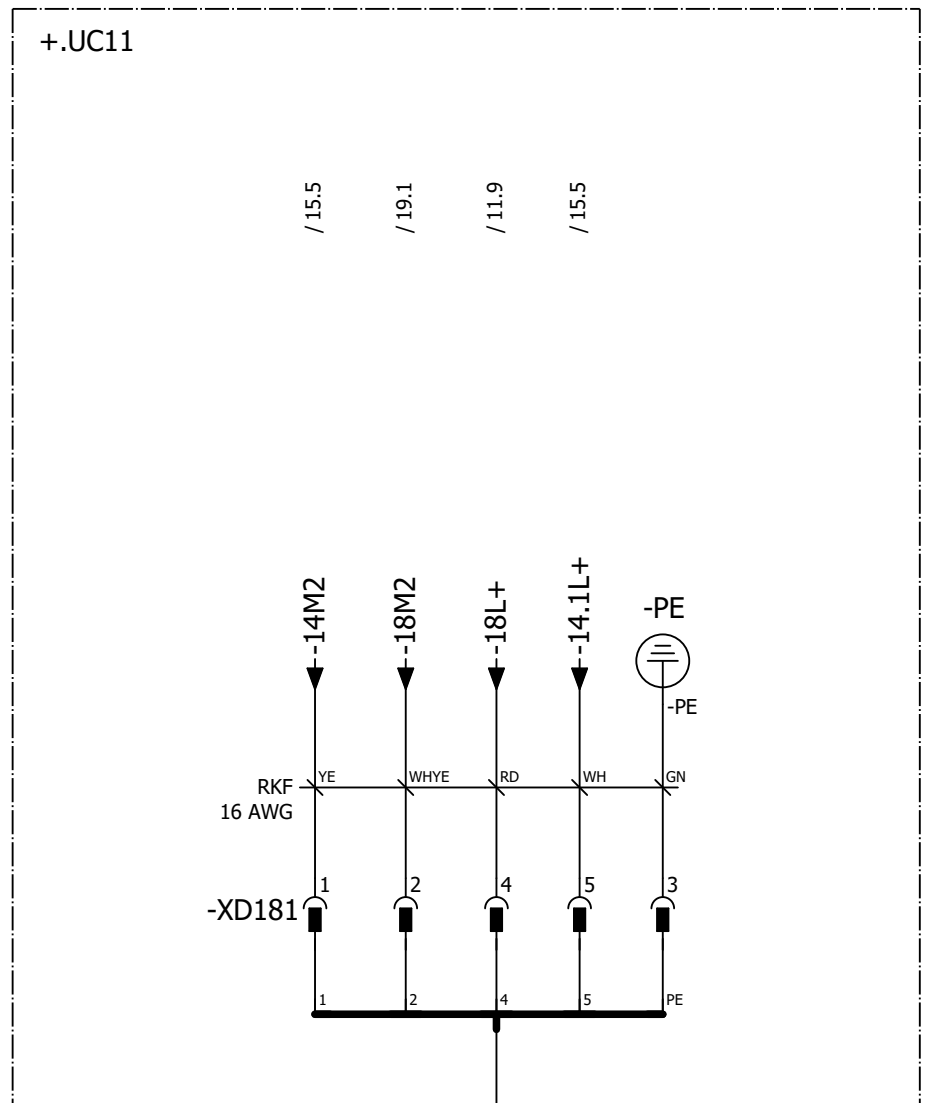


POWER IN / POWER OUT

- Pin 1: 0 V UA
- Pin 2: 0 V US
- Pin 3: FE
- Pin 4: +24 V US / 9 A
- Pin 5: +24 V UA / 9 A

Pin #	WIRE	COLOR
Pin 1	-13M2	YE
Pin 2	-17M2	WHYE
Pin 3	GND	GN
Pin 4	-17L+	RD
Pin 5	-13.1L+	WH

+.GL15UQ51-W 1
=V1GL15UQ51KF1+.GL15UQ51/1.1



POWER IN / POWER OUT

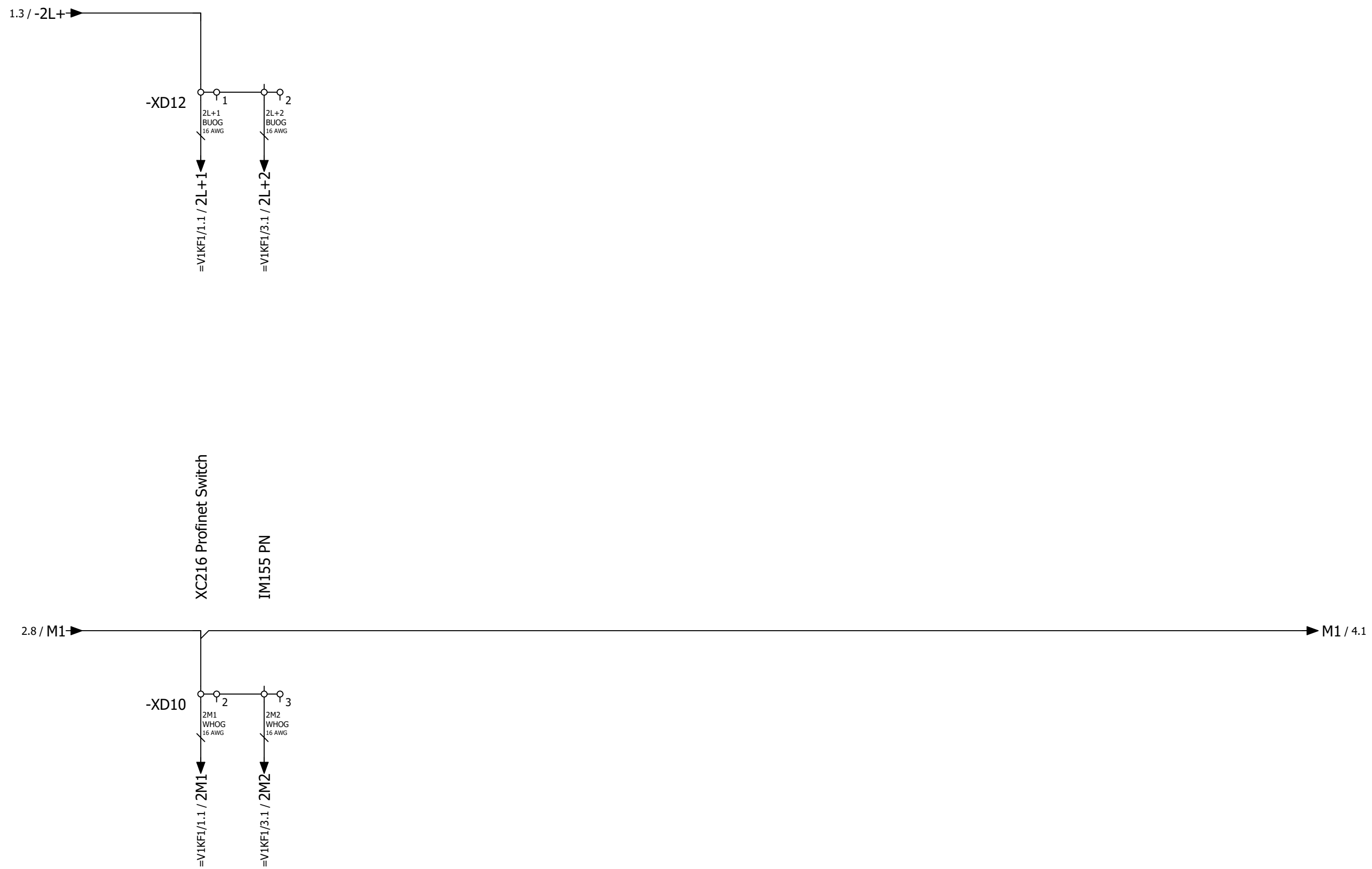
- Pin 1: 0 V UA
- Pin 2: 0 V US
- Pin 3: FE
- Pin 4: +24 V US / 9 A
- Pin 5: +24 V UA / 9 A

Pin #	WIRE	COLOR
Pin 1	-14M2	YE
Pin 2	-18M2	WHYE
Pin 3	GND	GN
Pin 4	-18L+	RD
Pin 5	-14.1L+	WH

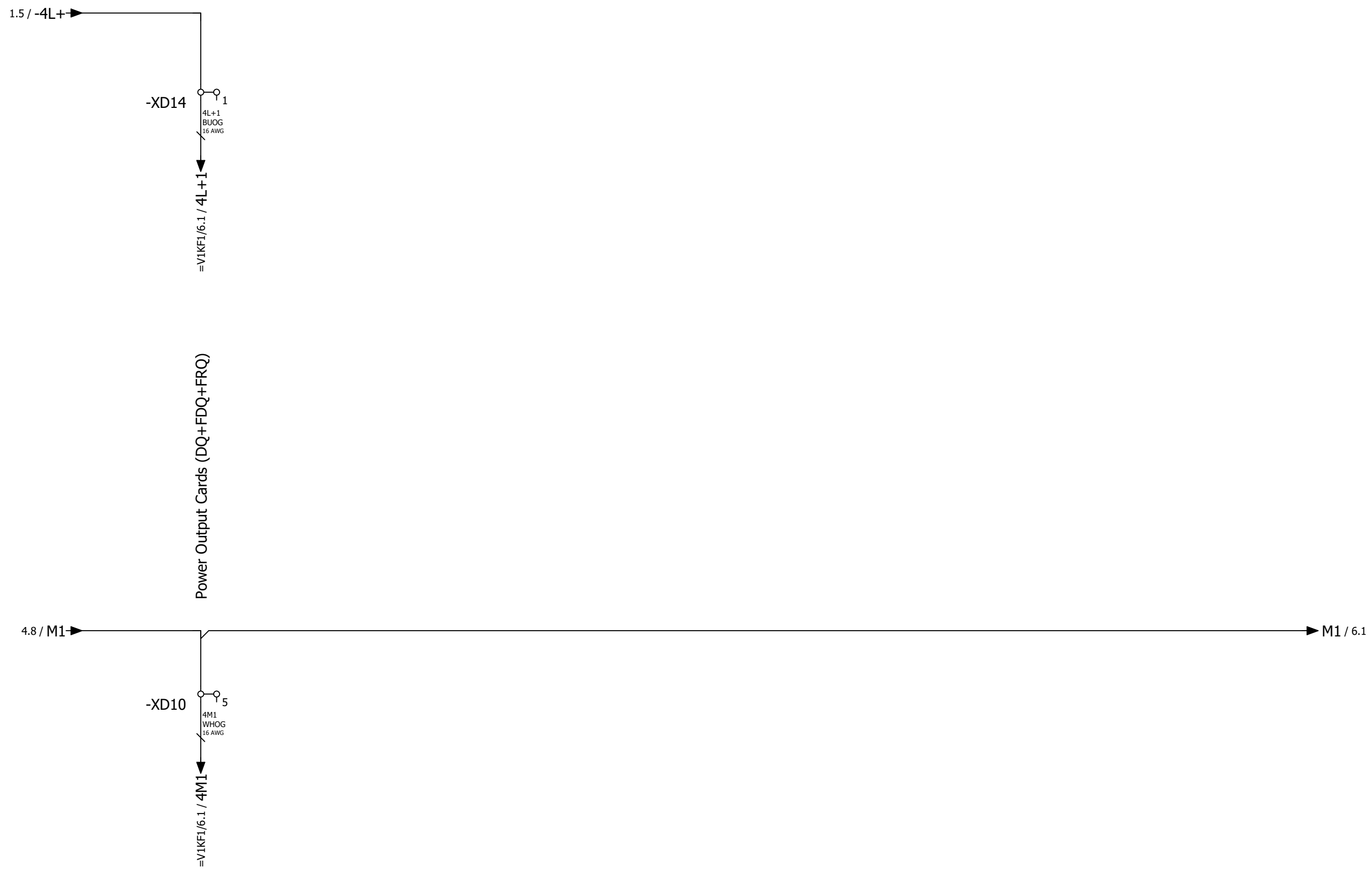
Switched Power 4




			Date	1/17/2023	Volvo Trucks North America	Valiant TMS	Power distribution 24VDC 1L+	Drawing name:		= V1WC4
			Ed.	MKLEPADLO				=2V07&EFS-EL		+ V1UC14
			Appr		P6700 Roof Inr & Dr Ring LH - Cell 2V07	Scale 1:1		Document type:	Project nr:	Page
Modification	Date	Name	Original		Replacement of			Replaced by	EFS	22-16144
										509



			Date	1/17/2023	Volvo Trucks North America	Valiant TMS	Power distribution 24VDC 2L+	Drawing name:	= V1WC4	
			Ed.	MKLEPADLO		Scale 1:1		=2V07&EFS-EL	+ V1UC14	
			Appr					P6700 Roof Inr & Dr Ring LH - Cell 2V07	Document type:	EFS
Modification	Date	Name	Original		Replacement of	Replaced by			Page	3
										509



			Date	1/17/2023	Volvo Trucks North America	 Valiant TMS	Power distribution 24VDC 4L+	Drawing name:		= V1WC4
			Ed.	MKLEPADLO	P6700 Roof Inr & Dr Ring LH - Cell 2V07			=2V07&EFS-EL		+ V1UC14
			Appr		Replacement of	Replaced by	Scale 1:1	Document type:	Project nr:	Page
Modification	Date	Name	Original					EFS	22-16144	5
										509

1.6 / -5L+

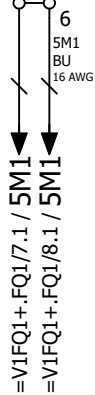
-XD15




S050-UR1 Power Light Curtains

5.8 / M1

-XD10



M1 / 7.1

			Date	1/17/2023	Volvo Trucks North America		Valiant TMS	Power distribution 24VDC 5L+	Drawing name:		= V1WC4
			Ed.	MKLEPADLO	P6700 Roof Inr & Dr Ring LH - Cell 2V07				=2V07&EFS-EL		+ V1UC14
			Appr		Replacement of	Replaced by	Scale 1:1		Document type:	Project nr:	Page
Modification	Date	Name	Original						EFS	22-16144	6
											509

1.7 / -6L+

-XD16



S050-UR2 Power Light Curtains

6.8 / M1

-XD10

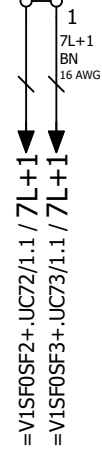


M1 / 8.1

			Date	1/17/2023	Volvo Trucks North America	Valiant TMS	Power distribution 24VDC 6L+	Drawing name:		= V1WC4	
			Ed.	MKLEPADLO				=2V07&EFS-EL		+ V1UC14	
			Appr					Document type:	EFS	Project nr:	22-16144
Modification	Date	Name	Original		Replacement of	Replaced by	Scale 1:1				509

1.8 / -7L+

-XD17



S050-UR1, UR2 Operator Run Bar

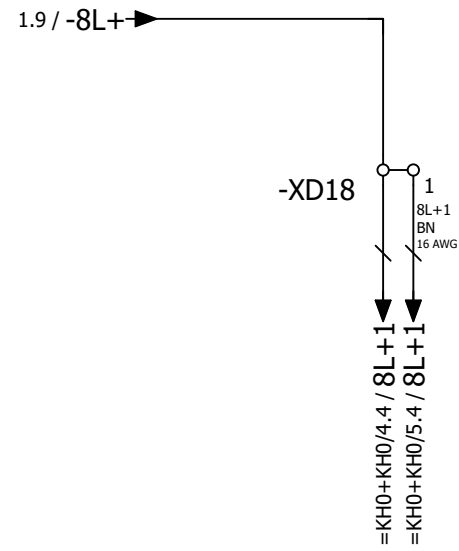
7.8 / M1

-XD10




M1 / 9.1

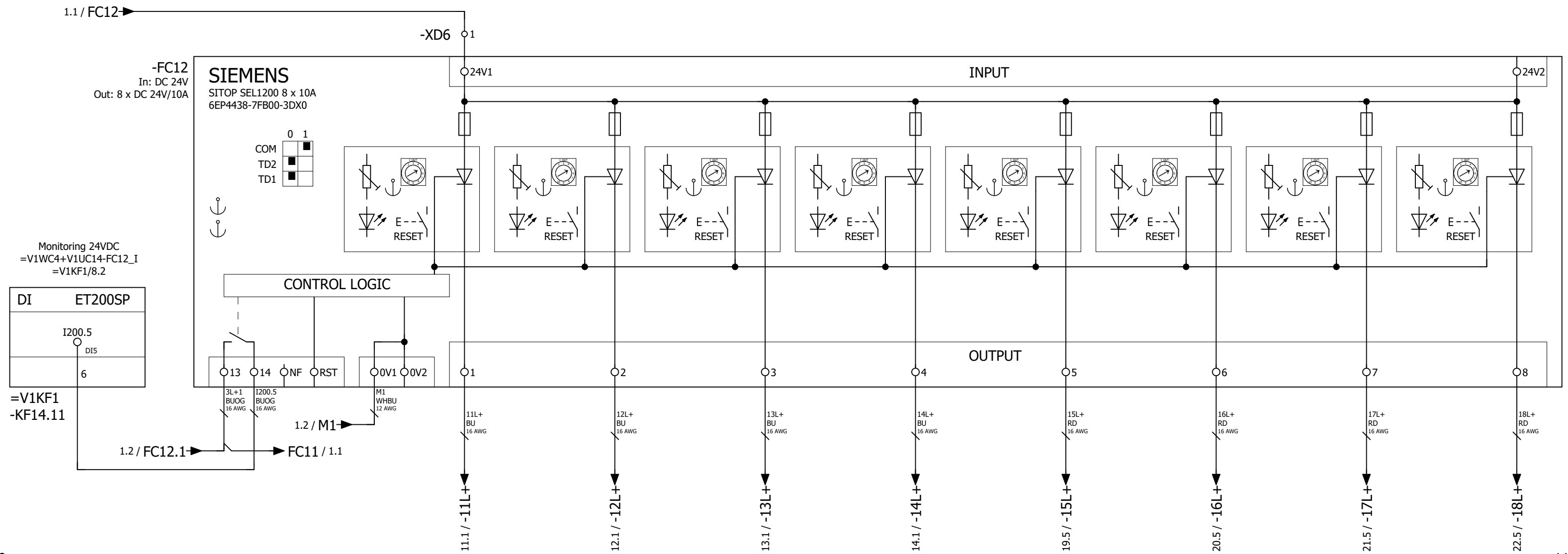
			Date	1/17/2023	Volvo Trucks North America	Valiant TMS	Power distribution 24VDC 7L+	Drawing name:		= V1WC4
			Ed.	MKLEPADLO				=2V07&EFS-EL		+ V1UC14
			Appr		P6700 Roof Inr & Dr Ring LH - Cell 2V07	Scale 1:1		Document type:	Project nr:	Page
Modification	Date	Name	Original		Replacement of			Replaced by	EFS	22-16144
										509

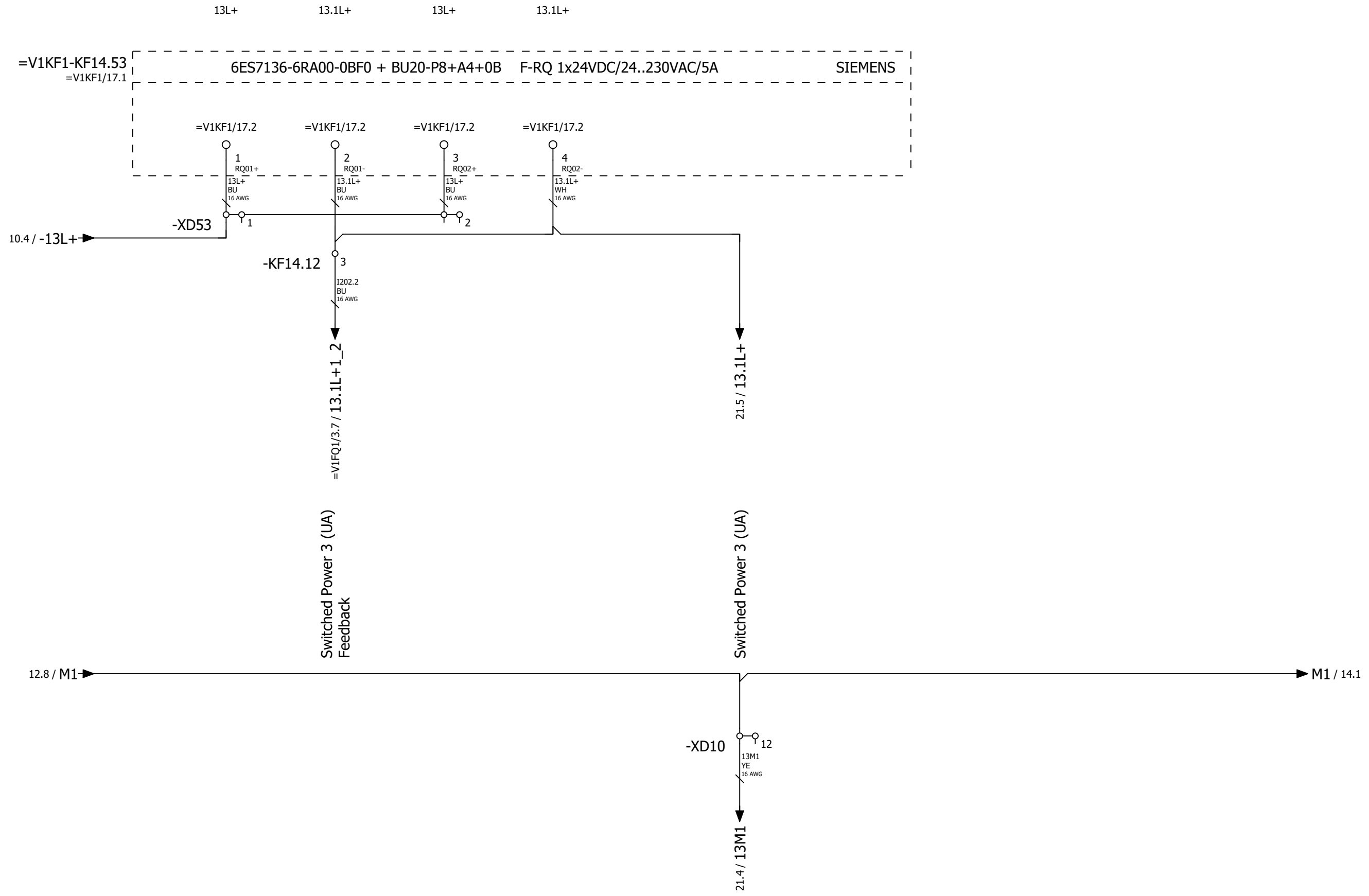


Power Air Monitoring,
S050 Floor Guides

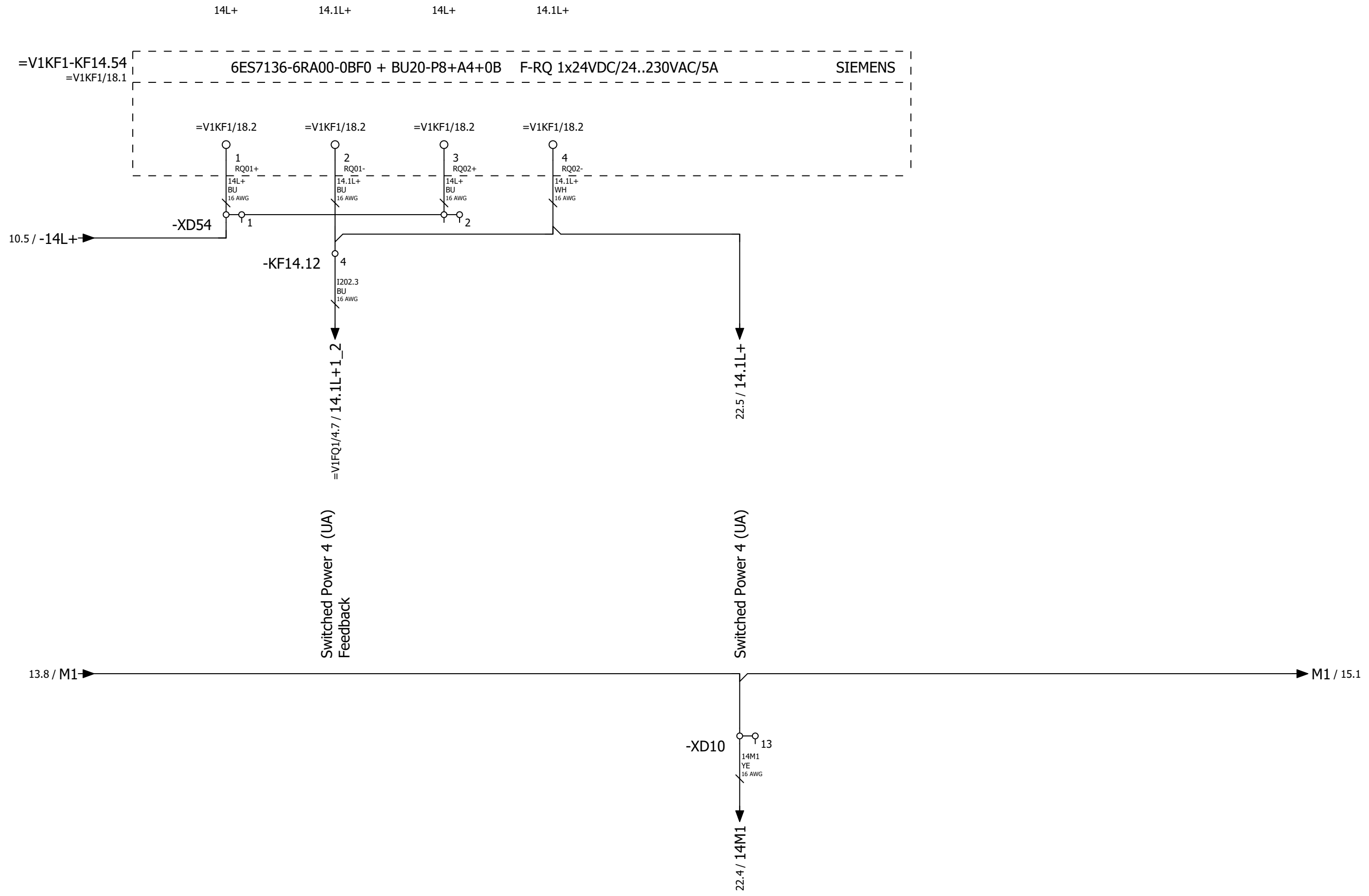



			Date	1/17/2023	Volvo Trucks North America	 Valiant TMS	Power distribution 24VDC 8L+	Drawing name:		= V1WC4
			Ed.	MKLEPADLO	P6700 Roof Inr & Dr Ring LH - Cell 2V07 Replacement of		Scale 1:1	=2V07&EFS-EL		+ V1UC14
Modification	Date	Name	Original			Replaced by			Document type:	Project nr:
							EFS	22-16144	9	
										509

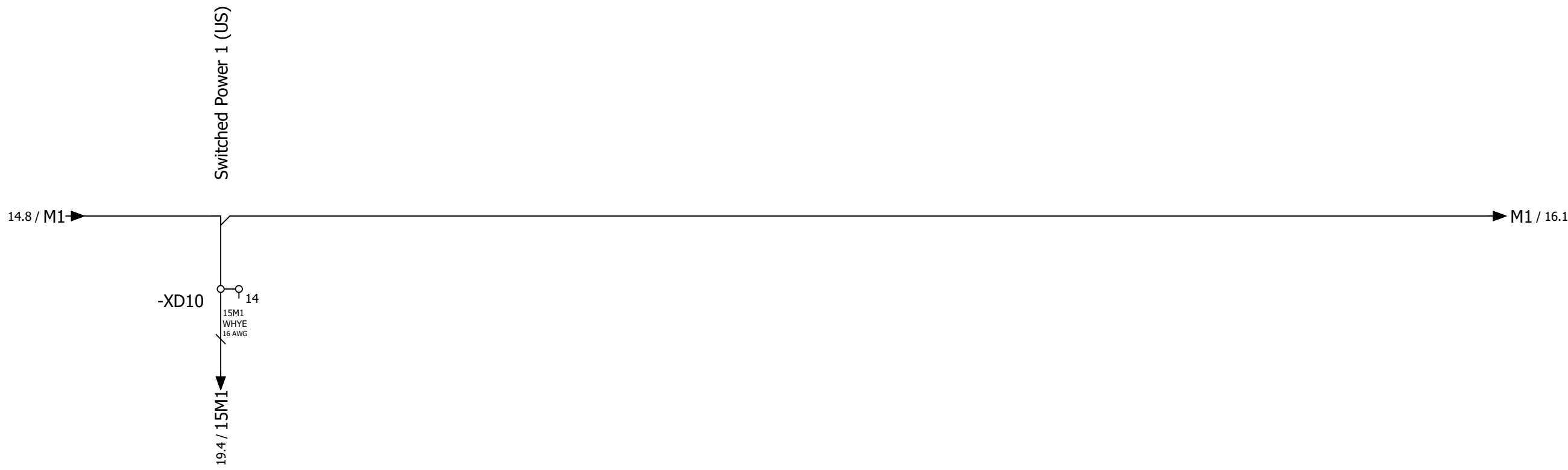





			Date	1/17/2023	Volvo Trucks North America		Valiant TMS		Power distribution 24VDC 13L+		Drawing name:		= V1WC4	
			Ed.	MKLEPADLO	P6700 Roof Inr & Dr Ring LH - Cell 2V07						=2V07&EFS-EL		+ V1UC14	
			Appr		Replacement of		Replaced by		Scale 1:1		Document type:		Project nr:	
Modification	Date	Name	Original									EFS	22-16144	Page 13
													509	



			Date	1/17/2023	Volvo Trucks North America	Valiant TMS	Power distribution 24VDC 14L+	Drawing name: =V1WC4	
			Ed.	MKLEPADLO	 P6700 Roof Inr & Dr Ring LH - Cell 2V07 Replacement of _____ Replaced by _____	Scale 1:1		=2V07&EFS-EL	
			Appr					Document type: EFS	Project nr: 22-16144
Modification	Date	Name	Original						Page 509




			Date	1/17/2023	Volvo Trucks North America		Valiant TMS	Power distribution 24VDC 15L+	Drawing name:		= V1WC4
			Ed.	MKLEPADLO	P6700 Roof Inr & Dr Ring LH - Cell 2V07				=2V07&EFS-EL		+ V1UC14
			Appr						Document type:	Project nr:	Page
Modification	Date	Name	Original		Replacement of	Replaced by	Scale 1:1		EFS	22-16144	15
											509



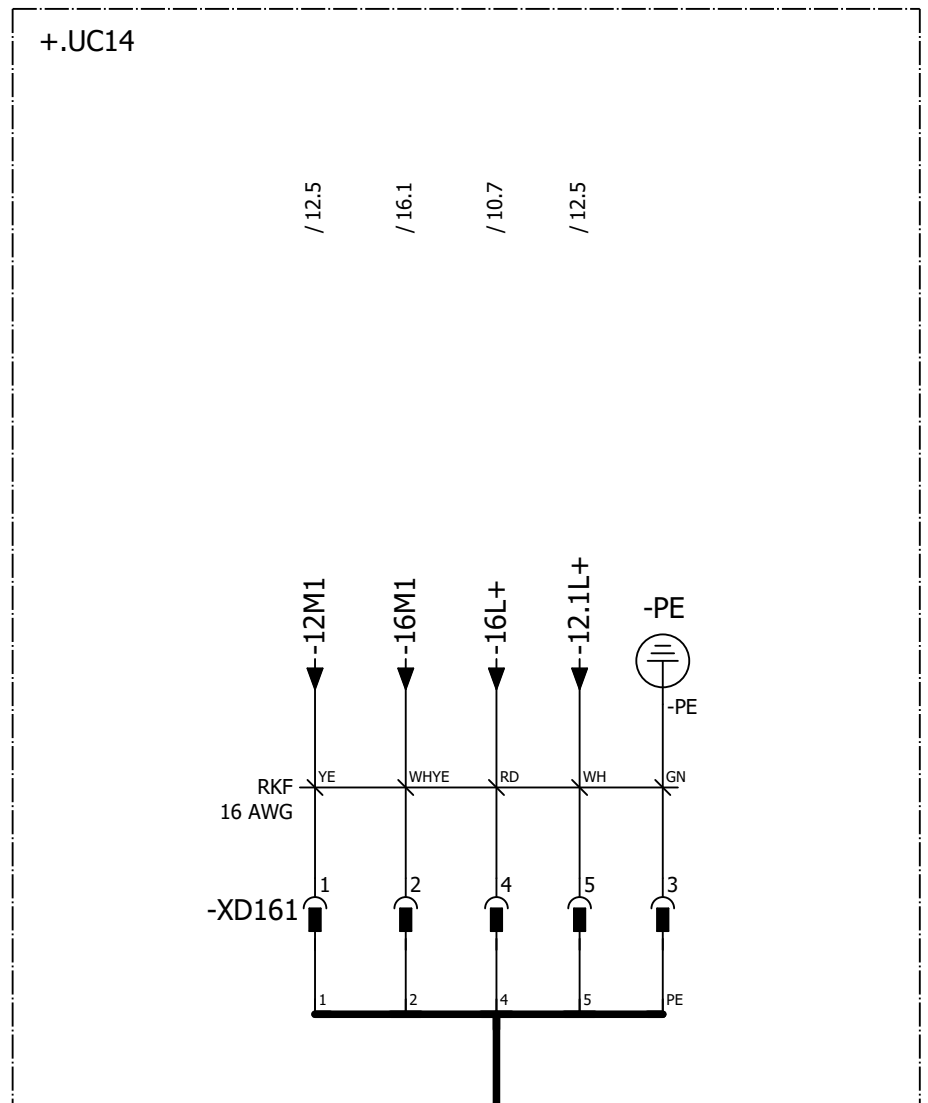
			Date	1/17/2023	Volvo Trucks North America		Valiant TMS	Power distribution 24VDC 16L+	Drawing name:		= V1WC4
			Ed.	MKLEPADLO	P6700 Roof Inr & Dr Ring LH - Cell 2V07				=2V07&EFS-EL		+ V1UC14
			Appr		Replacement of	Replaced by	Scale 1:1		Document type:	Project nr:	Page
Modification	Date	Name	Original						EFS	22-16144	16
											509



			Date	1/17/2023	Volvo Trucks North America		Valiant TMS	Power distribution 24VDC 17L+	Drawing name:		= V1WC4
			Ed.	MKLEPADLO	P6700 Roof Inr & Dr Ring LH - Cell 2V07				=2V07&EFS-EL		+ V1UC14
			Appr						Document type:	Project nr:	Page
Modification	Date	Name	Original		Replacement of	Replaced by	Scale 1:1		EFS	22-16144	17
											509



			Date	1/17/2023	Volvo Trucks North America		Valiant TMS	Power distribution 24VDC 18L+	Drawing name:		= V1WC4
			Ed.	MKLEPADLO	P6700 Roof Inr & Dr Ring LH - Cell 2V07				=2V07&EFS-EL		+ V1UC14
			Appr						Document type:	Project nr:	Page
Modification	Date	Name	Original		Replacement of	Replaced by	Scale 1:1		EFS	22-16144	18
											509

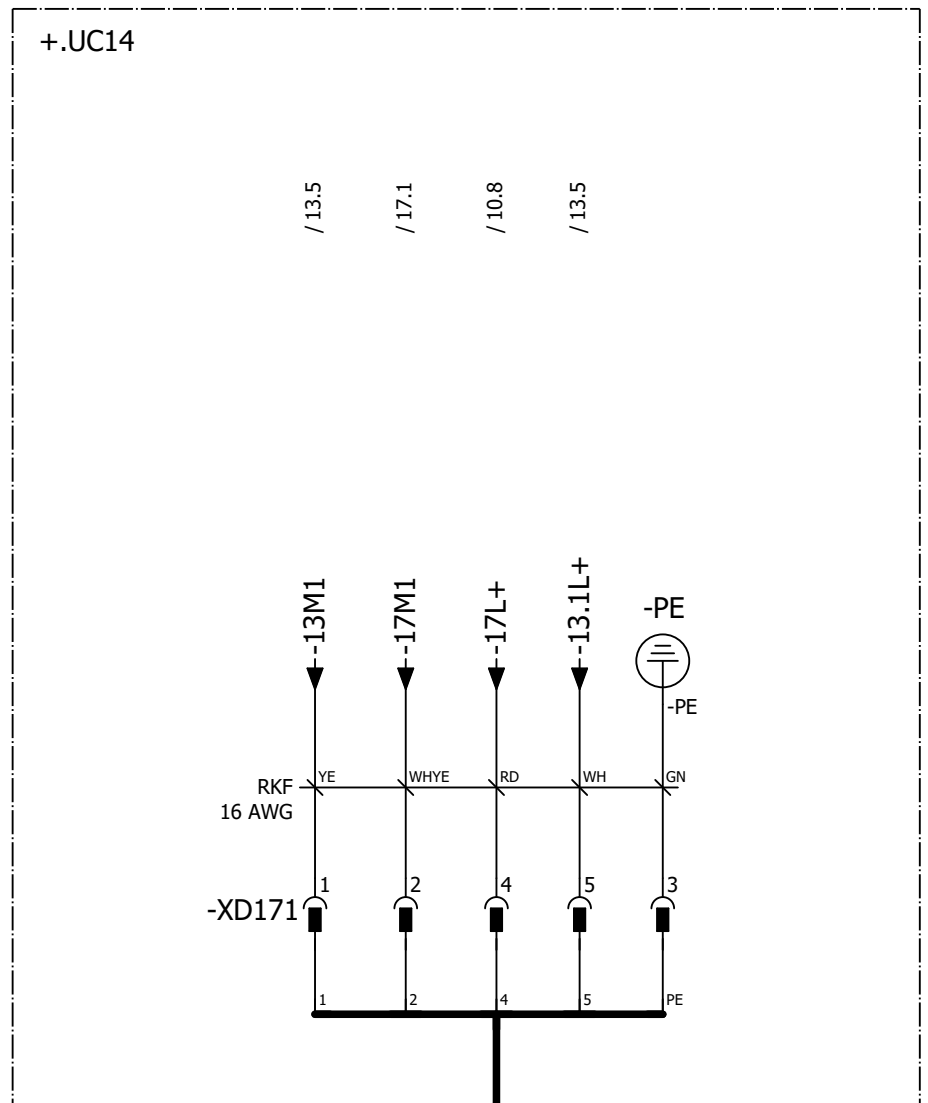


POWER IN / POWER OUT

- Pin 1: 0 V UA
- Pin 2: 0 V US
- Pin 3: FE
- Pin 4: +24 V US / 9 A
- Pin 5: +24 V UA / 9 A

Pin #	WIRE	COLOR
Pin 1	-12M1	YE
Pin 2	-16M1	WHYE
Pin 3	GND	GN
Pin 4	-16L+	RD
Pin 5	-12.1L+	WH

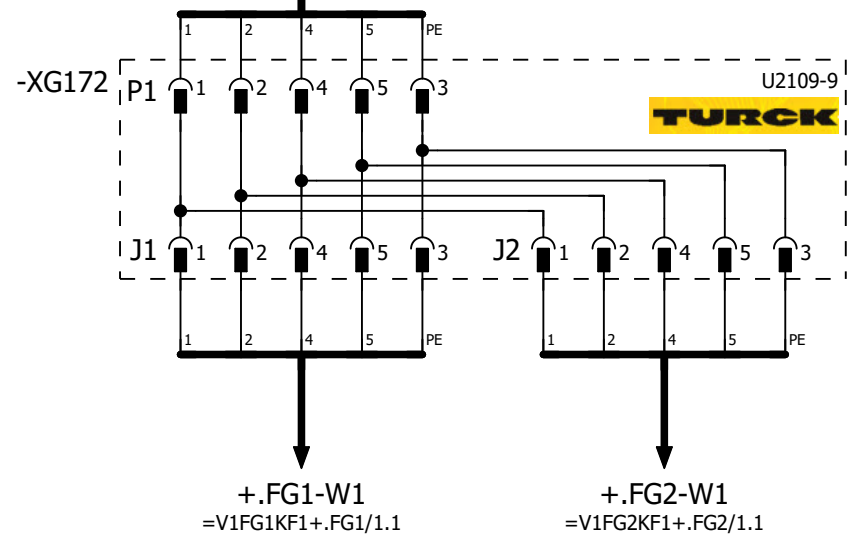
+V1UQ51-W1
=V1UQ51KF1+.UQ51/1.1



POWER IN / POWER OUT

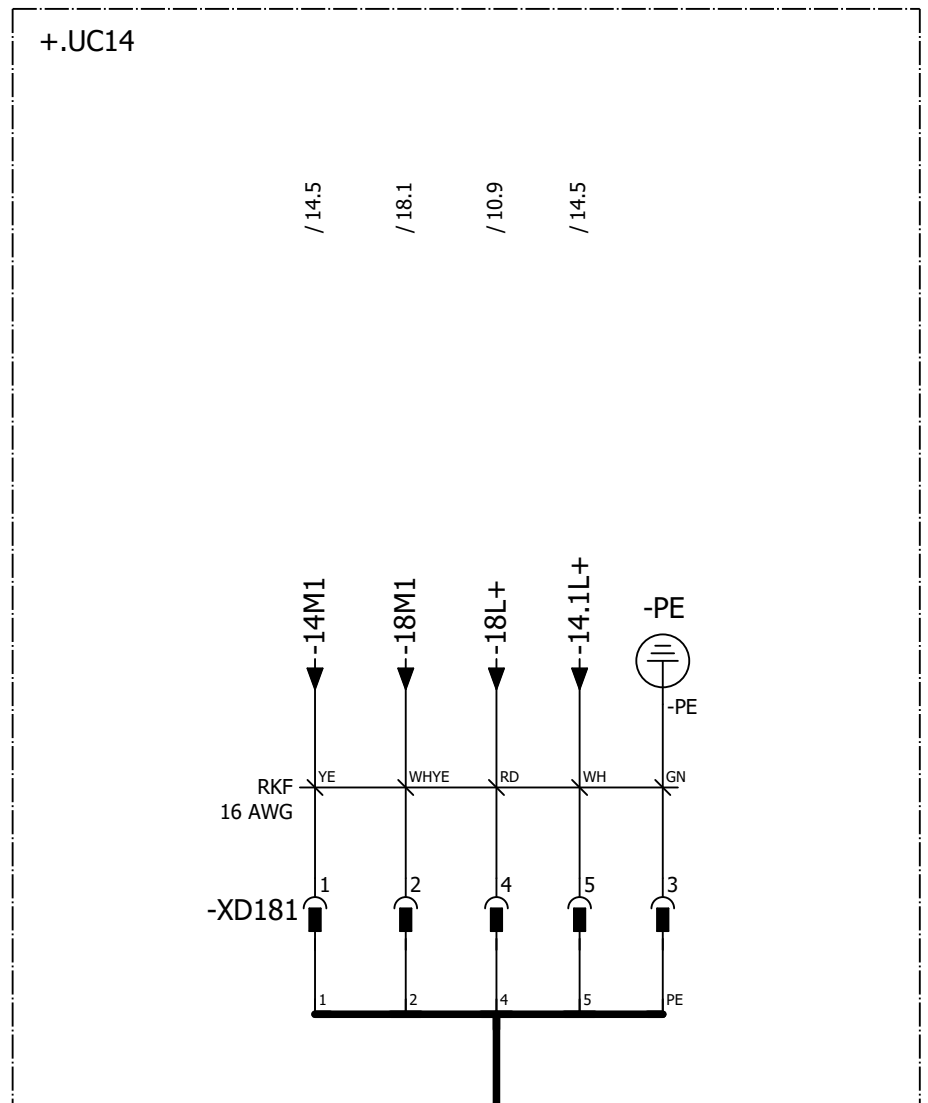
- Pin 1: 0 V UA
- Pin 2: 0 V US
- Pin 3: FE
- Pin 4: +24 V US / 9 A
- Pin 5: +24 V UA / 9 A

Pin #	WIRE	COLOR
Pin 1	-13M1	YE
Pin 2	-17M1	WHYE
Pin 3	GND	GN
Pin 4	-17L+	RD
Pin 5	-13.1L+	WH



+.FG1-W1
=V1FG1KF1+.FG1/1.1

+.FG2-W1
=V1FG2KF1+.FG2/1.1

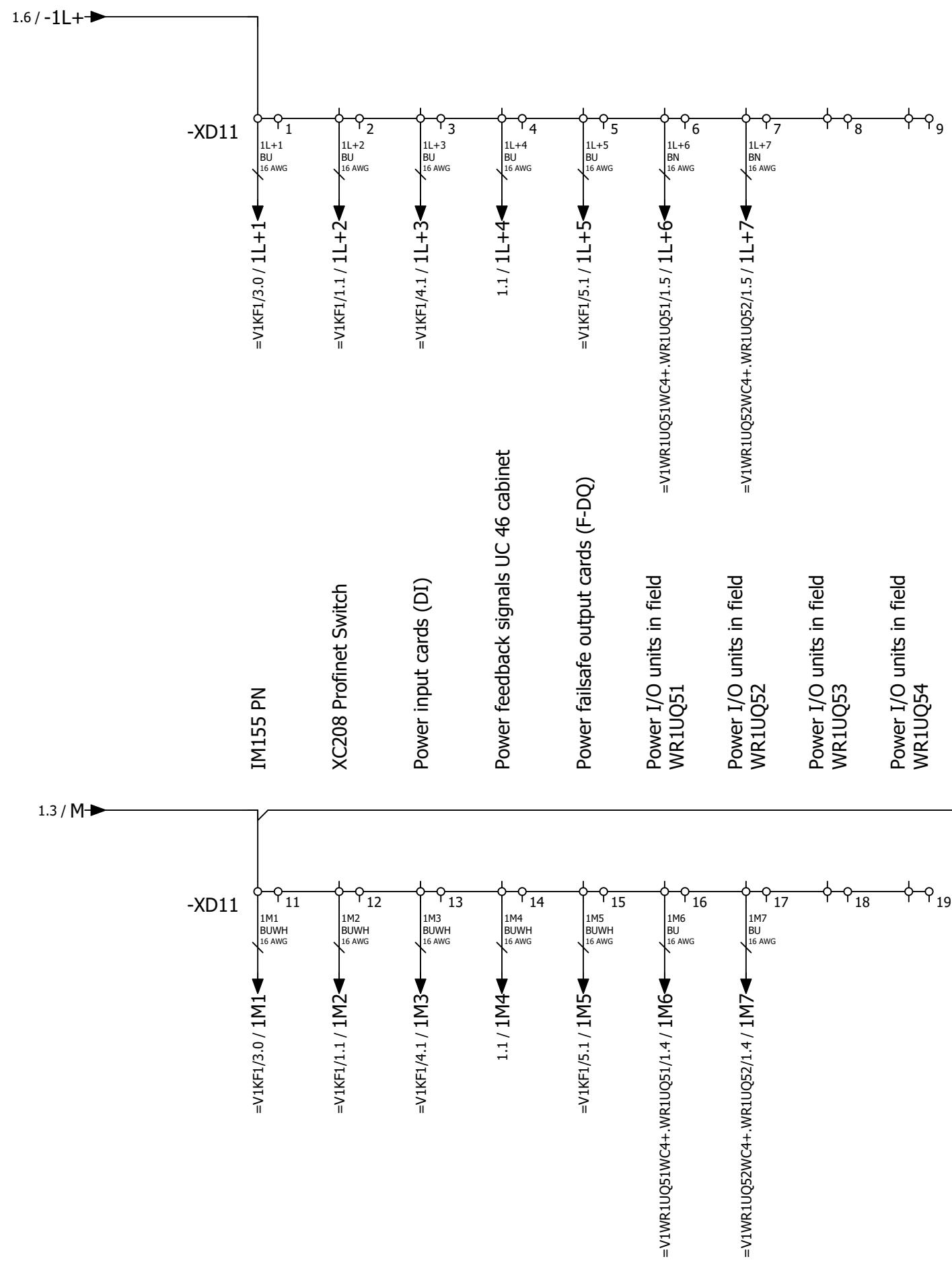


POWER IN / POWER OUT

- Pin 1: 0 V UA
- Pin 2: 0 V US
- Pin 3: FE
- Pin 4: +24 V US / 9 A
- Pin 5: +24 V UA / 9 A

Pin #	WIRE	COLOR
Pin 1	-14M1	YE
Pin 2	-18M1	WHYE
Pin 3	GND	GN
Pin 4	-18L+	RD
Pin 5	-14.1L+	WH

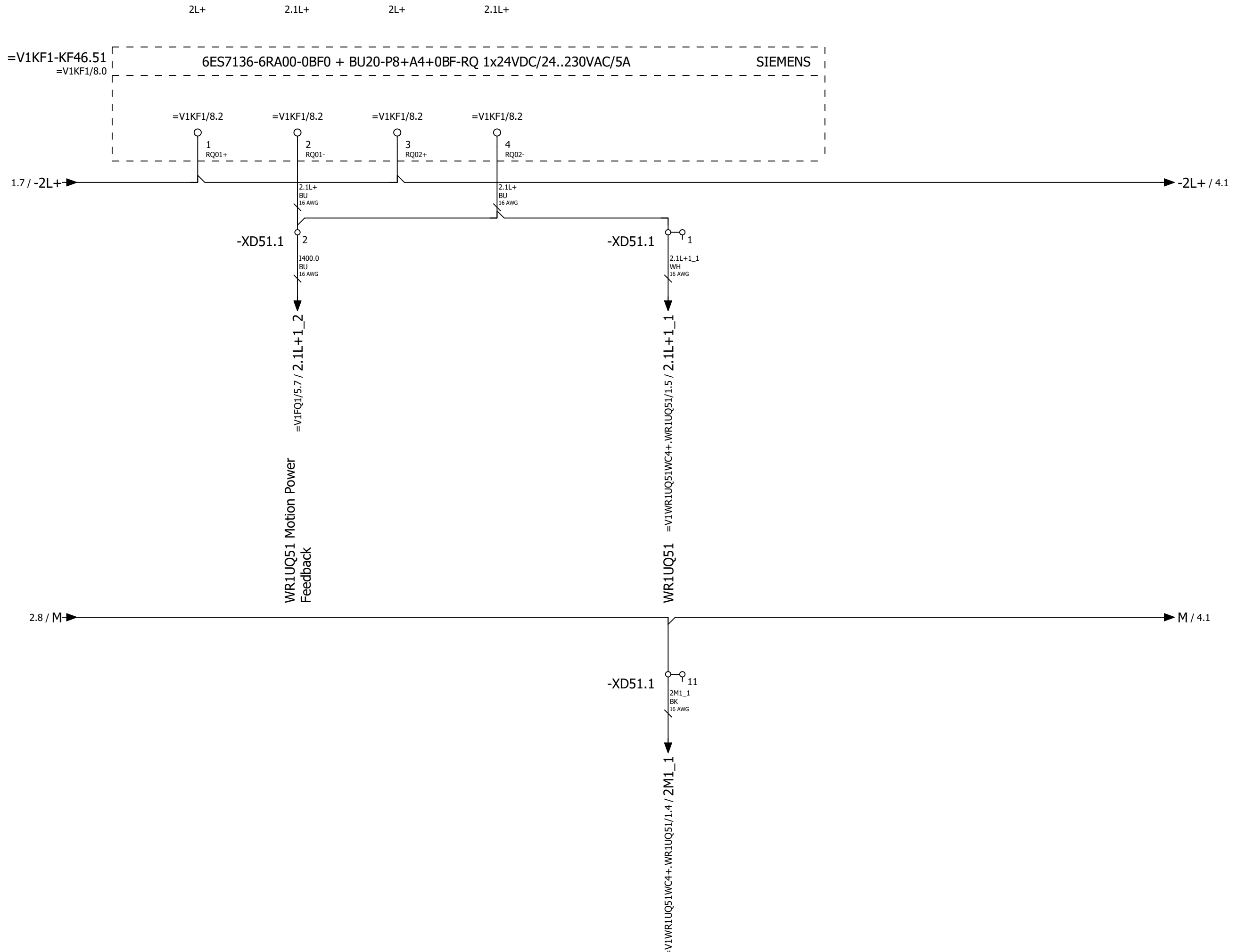
+.UN1-W1
=V1UN1KF1+.UN1/10.1




1

3

			Date	1/17/2023	Volvo Trucks North America		Valiant TMS		Power distribution 24VDC 1L+		Drawing name: = 2V07&EFS-EL		= V1WC4 + V1UC46	
			Ed.	MKLEPADLO	P6700 Roof Inr & Dr Ring LH - Cell 2V07		Scale 1:1				Document type: EFS		Project nr: 22-16144	
Modification	Date	Name	Original		Replacement of	Replaced by							Page	2
														509



			Date	1/17/2023	Volvo Trucks North America	Valiant TMS	Power distribution 24VDC 2L+	Drawing name:		= V1WC4
			Ed.	MKLEPADLO		Scale 1:1		=2V07&EFS-EL		+ V1UC46
			Appr					Replacement of	Replaced by	Document type:
Modification	Date	Name	Original					EFS	22-16144	3
										509

1.9 / -4L+

-XD14



=V1WC3/3.2 / 4L+1


Monitoring 120VAC

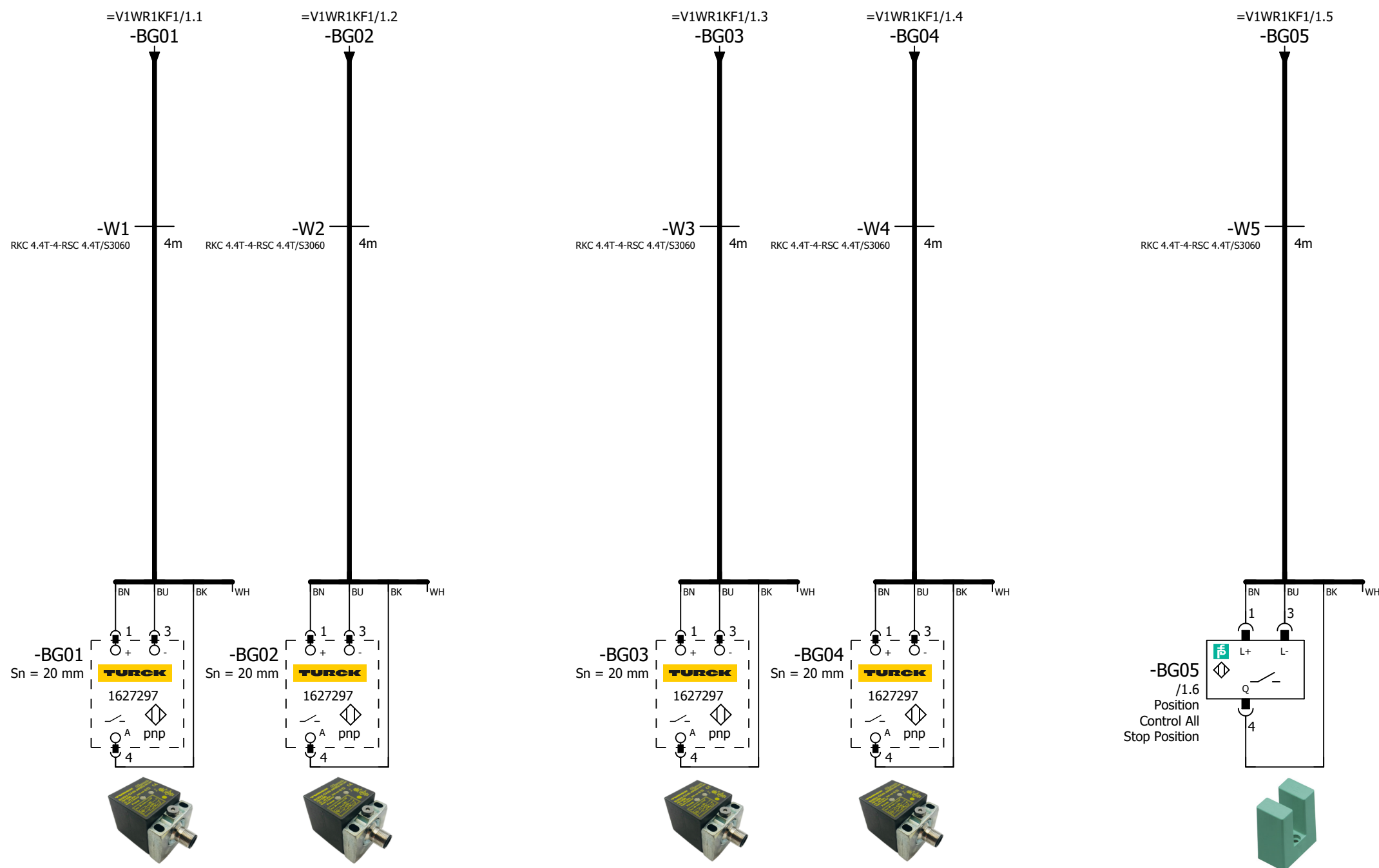
6.8 / M

-XD14



M / 1.3

			Date	1/17/2023	Volvo Trucks North America		Valiant TMS	Power distribution 24VDC 4L+	Drawing name:		= V1WC4	
			Ed.	MKLEPADLO					=2V07&EFS-EL		+ V1UC46	
			Appr						Document type:	EFS	Project nr:	22-16144
Modification	Date	Name	Original		Replacement of	Replaced by	Scale 1:1				509	



**=V1WR1
-BG01
Position Control
P1 Position**

**=V1WR1
-BG02
Position Control
P2 Position**

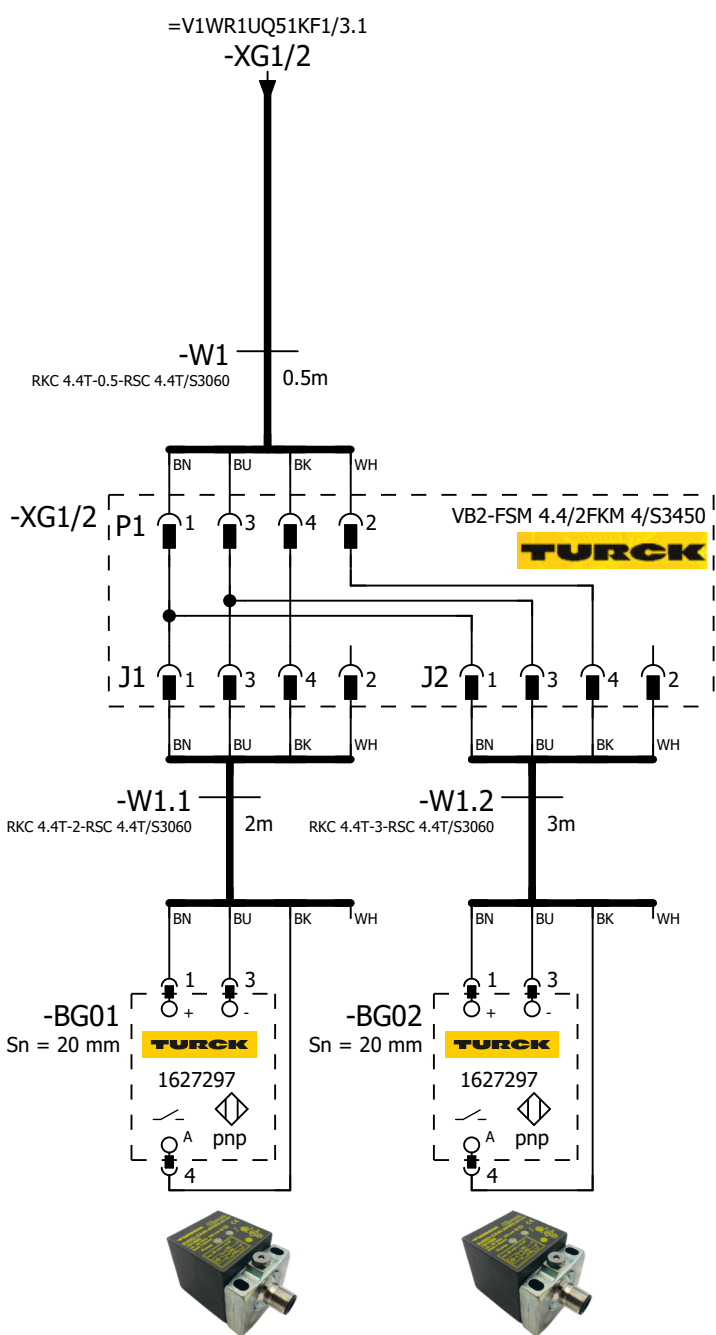
**=V1WR1
-BG03
Position Control
P3 Position**

**=V1WR1
-BG04
Position Control
P4 Position**

**=V1WR1
-BG05
Position Control
All Stop Position**

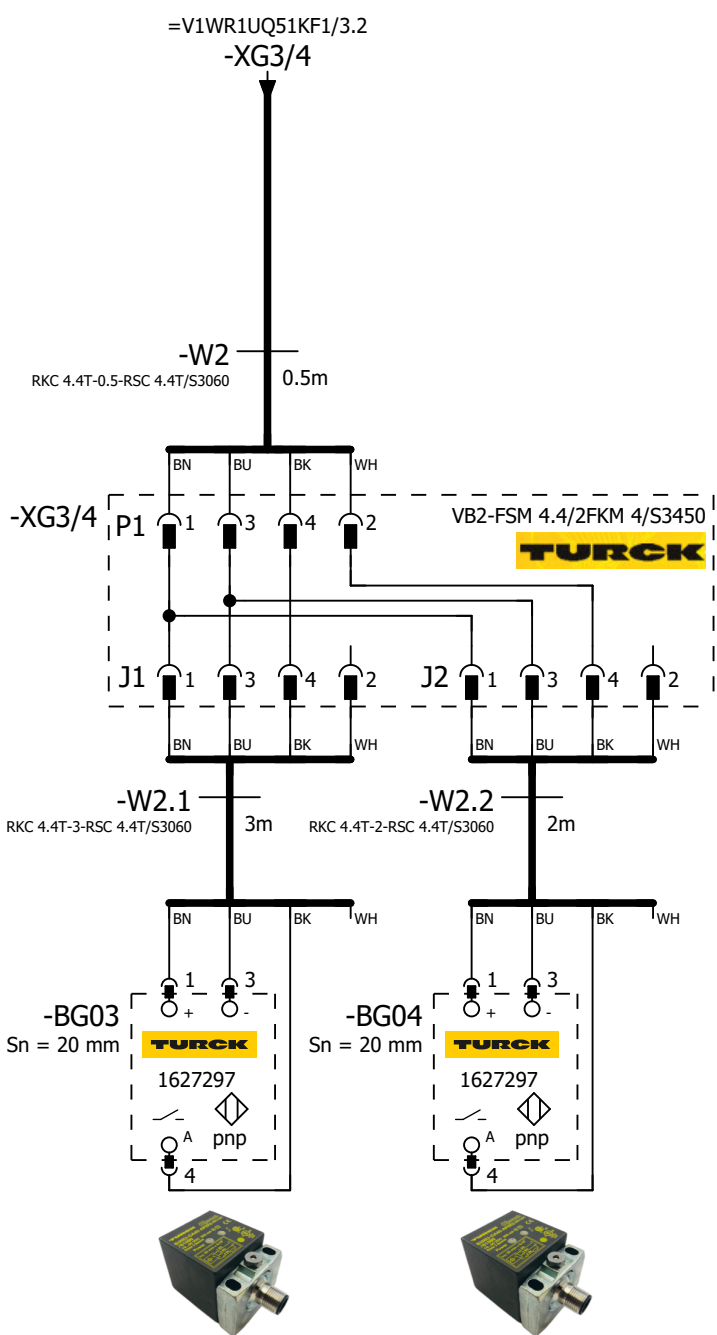
=V1WC4+.UC46/7 =V1WR1KF1/1

Date		1/17/2023		Volvo Trucks North America		Valiant TMS		TURNTABLE POSITION SENSORS		Drawing name: =2V07&EFS-EL		= V1WR1BG0	
Ed.		MKLEPADLO		P6700 Roof Inr & Dr Ring LH - Cell 2V07		Scale 1:1				Document type: EFS		Project nr: 22-16144	
Appr				Replacement of		Replaced by						Page 1	
Modification		Date		Name		Original						509	



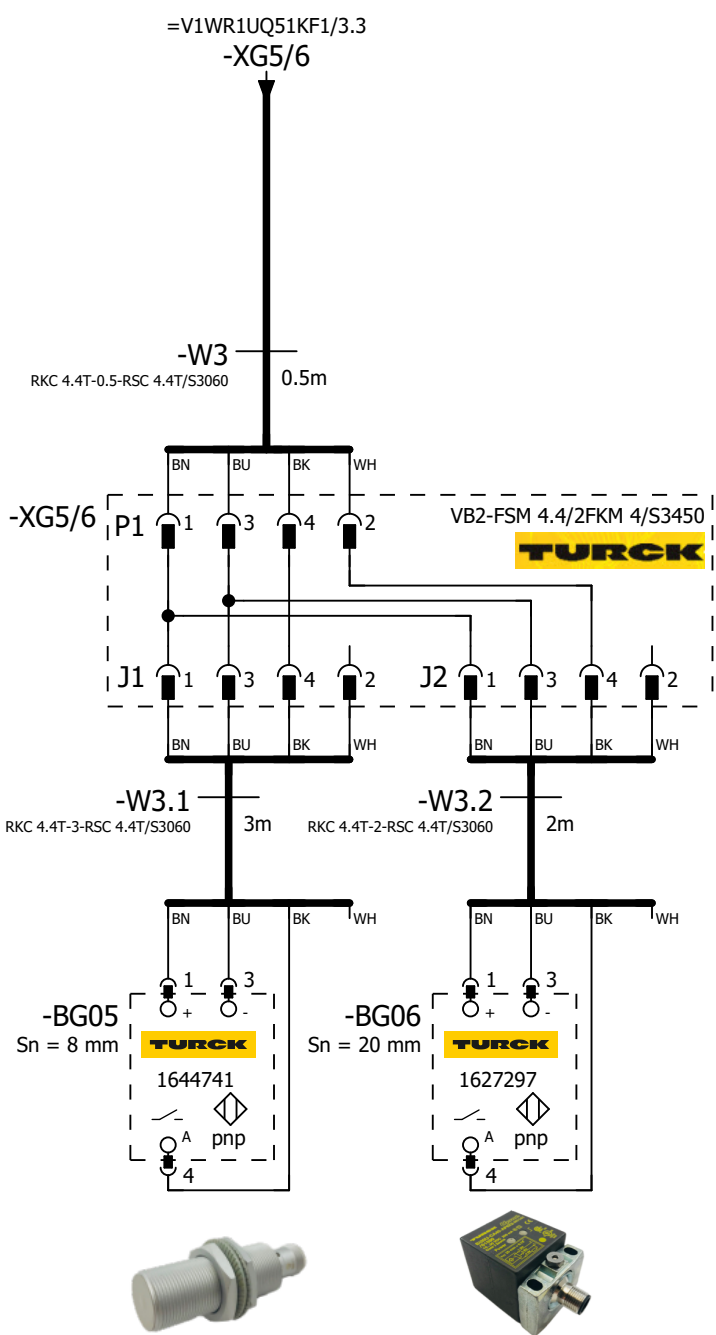
=V1WR1UQ51
-BG01
Reinf Upper Hinge
PLR LH

=V1WR1UQ51
-BG02
Reinf Upper Hinge
PLR LH



=V1WR1UQ51
-BG03
Reinf Door Hinge
ASM LH

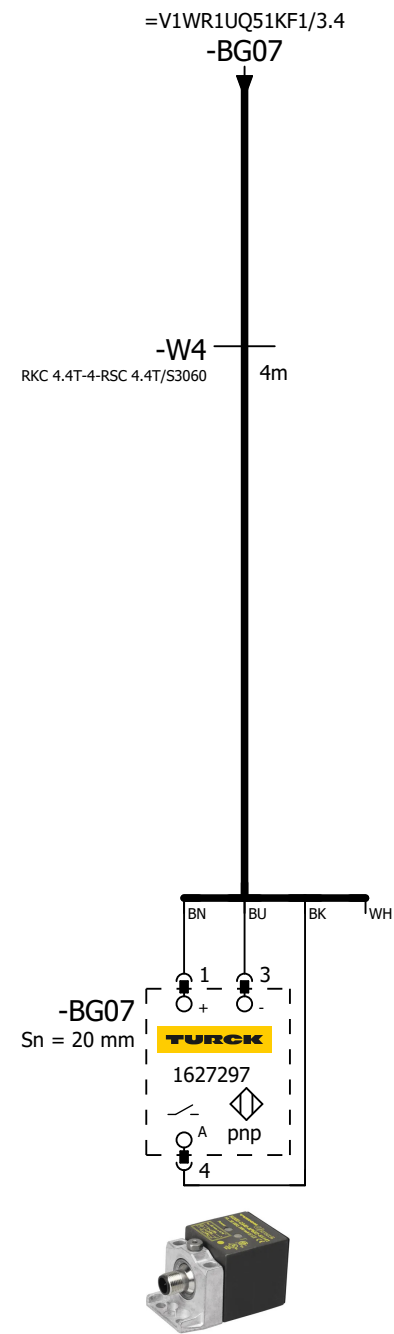
=V1WR1UQ51
-BG04
Reinf Door Hinge
ASM LH



=V1WR1UQ51
-BG05
Reinf Lock B PLR

=V1WR1UQ51
-BG06
Door Frame LH

=V1WR1KF2+V1WR1/1



=V1WR1UQ51
-BG07
Door Frame LH

1

=V1WR1UQ51KF1/1

Date	1/17/2023	Volvo Trucks North America	Valiant TMS	SENSORS	Drawing name:		= V1WR1UQ51BG0
Ed.	MKLEPADLO	P6700 Roof Inr & Dr Ring LH - Cell 2V07			=2V07&EFS-EL		+ V1WR1UQ51
Appr		Replacement of	Scale 1:1	Document type:	Project nr:	Page	2
Modification	Date	Name	Replaced by	EFS	22-16144		509

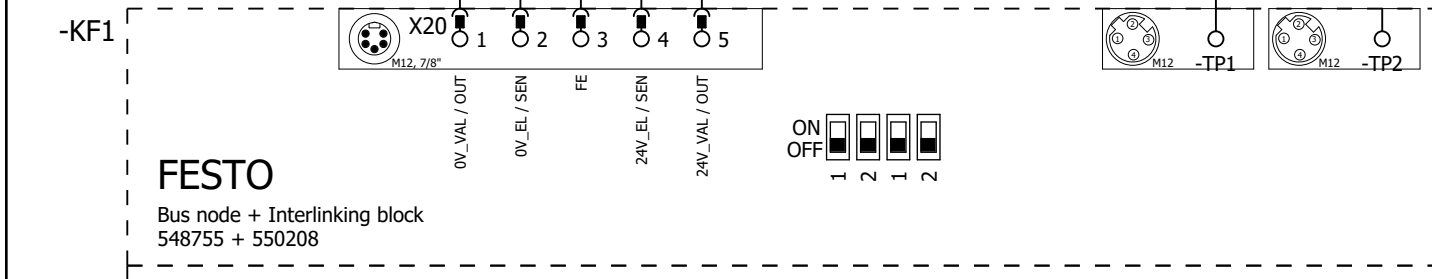


=V1WR1UQ51WC4/1.5 / W1

=V1KF1+.UC46/2.6 / +.UC46-KF100.46-P3

-W1
RSM RKM 56-5M/S3059
5m

-KF100.46-P3
PROFINET Cable
6XV1840-3AH10
5m

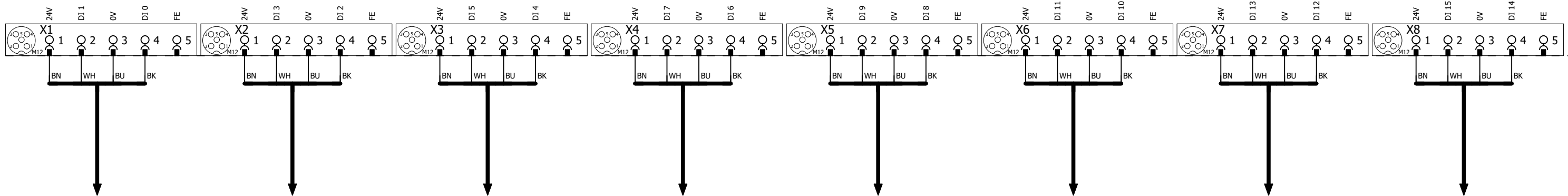


FESTO
Bus node + Interlinking block
548755 + 550208

-KF1.11
FESTO
CPX-M-AB-8-M12X2-5POL
549335



I2000.0	DI ₀	X1:4	V1WR1UQ51UQ1.1-BGR	Shot Pin 1 (RESET)
I2000.1	DI ₁	X1:2	V1WR1UQ51UQ1.1-BGS	Shot Pin 1 (SET)
I2000.2	DI ₂	X2:4	V1WR1UQ51UQ1.2-BGR	Shot Pin 1 (RESET)
I2000.3	DI ₃	X2:2	V1WR1UQ51UQ1.2-BGS	Shot Pin 1 (SET)
I2000.4	DI ₄	X3:4	V1WR1UQ51UQ1.3-BGR	Shot Pin 1 (RESET)
I2000.5	DI ₅	X3:2	V1WR1UQ51UQ1.3-BGS	Shot Pin 1 (SET)
I2000.6	DI ₆	X4:4	V1WR1UQ51UQ1.4-BGR	Shot Pin 1 (RESET)
I2000.7	DI ₇	X4:2	V1WR1UQ51UQ1.4-BGS	Shot Pin 1 (SET)
I2001.0	DI ₈	X5:4	V1WR1UQ51UQ1.5-BGR	Shot Pin 1 (RESET)
I2001.1	DI ₉	X5:2	V1WR1UQ51UQ1.5-BGS	Shot Pin 1 (SET)
I2001.2	DI ₁₀	X6:4	V1WR1UQ51UQ2.1-BGR	Shot Pin 2 (RESET)
I2001.3	DI ₁₁	X6:2	V1WR1UQ51UQ2.1-BGS	Shot Pin 2 (SET)
I2001.4	DI ₁₂	X7:4	V1WR1UQ51UQ3.1-BGR	Shot Pin 3 (RESET)
I2001.5	DI ₁₃	X7:2	V1WR1UQ51UQ3.1-BGS	Shot Pin 3 (SET)
I2001.6	DI ₁₄	X8:4	V1WR1UQ51UQ4.1-BGR	Clamp 4 (RESET)
I2001.7	DI ₁₅	X8:2	V1WR1UQ51UQ4.1-BGS	Clamp 4 (SET)



+ .WR1UQ51UQ1.1-W1
=V1WR1UQ51UQ1+.WR1UQ51UQ1/1.1

+ .WR1UQ51UQ1.2-W1
=V1WR1UQ51UQ1+.WR1UQ51UQ1/1.2

+ .WR1UQ51UQ1.3-W1
=V1WR1UQ51UQ1+.WR1UQ51UQ1/1.4

+ .WR1UQ51UQ1.4-W1
=V1WR1UQ51UQ1+.WR1UQ51UQ1/1.5

+ .WR1UQ51UQ1.5-W1
=V1WR1UQ51UQ1+.WR1UQ51UQ1/1.7

+ .WR1UQ51UQ2.1-W1
=V1WR1UQ51UQ2+.WR1UQ51UQ2/1.1

+ .WR1UQ51UQ3.1-W1
=V1WR1UQ51UQ3+.WR1UQ51UQ3/1.1

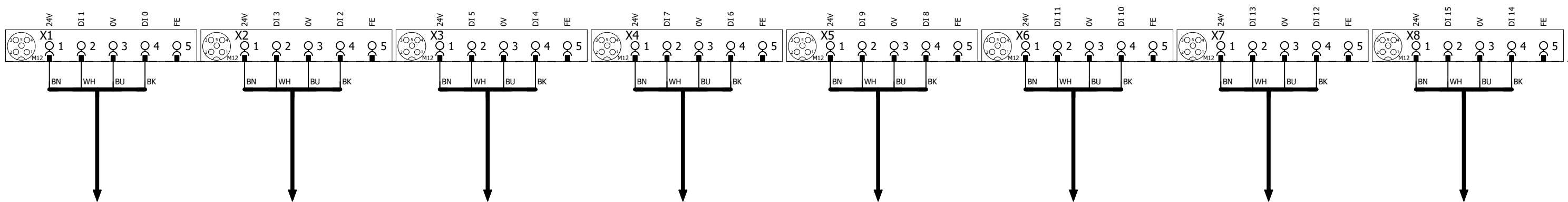
+ .WR1UQ51UQ4.1-W1
=V1WR1UQ51UQ4+.WR1UQ51UQ4/1.1

=V1WR1UQ51BG0/2

-KF1.12 **FESTO**
 CPX-M-AB-8-M12X2-5POL
 549335



I2002.0	DI ₀	X1:4	V1WR1UQ51UQ4.2-BGR	Clamp 4 (RESET)
I2002.1	DI ₁	X1:2	V1WR1UQ51UQ4.2-BGS	Clamp 4 (SET)
I2002.2	DI ₂	X2:4	V1WR1UQ51UQ4.3-BGR	Clamp 4 (RESET)
I2002.3	DI ₃	X2:2	V1WR1UQ51UQ4.3-BGS	Clamp 4 (SET)
I2002.4	DI ₄	X3:4	V1WR1UQ51UQ4.4-BGR	Clamp 4 (RESET)
I2002.5	DI ₅	X3:2	V1WR1UQ51UQ4.4-BGS	Clamp 4 (SET)
I2002.6	DI ₆	X4:4	V1WR1UQ51UQ4.5-BGR	Clamp 4 (RESET)
I2002.7	DI ₇	X4:2	V1WR1UQ51UQ4.5-BGS	Clamp 4 (SET)
I2003.0	DI ₈	X5:4	V1WR1UQ51UQ4.6-BGR	Clamp 4 (RESET)
I2003.1	DI ₉	X5:2	V1WR1UQ51UQ4.6-BGS	Clamp 4 (SET)
I2003.2	DI ₁₀	X6:4	V1WR1UQ51UQ5.1-BGR	Clamp 5 (RESET)
I2003.3	DI ₁₁	X6:2	V1WR1UQ51UQ5.1-BGS	Clamp 5 (SET)
I2003.4	DI ₁₂	X7:4	V1WR1UQ51UQ5.2-BGR	Clamp 5 (RESET)
I2003.5	DI ₁₃	X7:2	V1WR1UQ51UQ5.2-BGS	Clamp 5 (SET)
I2003.6	DI ₁₄	X8:4	V1WR1UQ51UQ5.3-BGR	Clamp 5 (RESET)
I2003.7	DI ₁₅	X8:2	V1WR1UQ51UQ5.3-BGS	Clamp 5 (SET)



+ .WR1UQ51UQ4.2-W1
 =V1WR1UQ51UQ4+.WR1UQ51UQ4/1.2

+ .WR1UQ51UQ4.3-W1
 =V1WR1UQ51UQ4+.WR1UQ51UQ4/1.4

+ .WR1UQ51UQ4.4-W1
 =V1WR1UQ51UQ4+.WR1UQ51UQ4/1.5

+ .WR1UQ51UQ4.5-W1
 =V1WR1UQ51UQ4+.WR1UQ51UQ4/1.7

+ .WR1UQ51UQ4.6-W1
 =V1WR1UQ51UQ4+.WR1UQ51UQ4/1.9

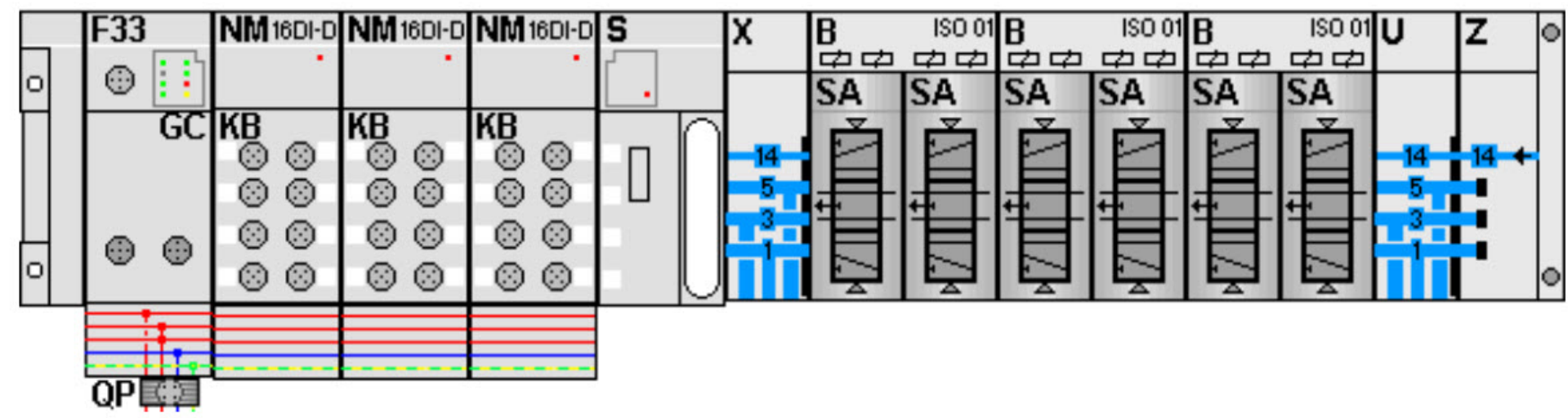
+ .WR1UQ51UQ5.1-W1
 =V1WR1UQ51UQ5+.WR1UQ51UQ5/1.1

+ .WR1UQ51UQ5.2-W1
 =V1WR1UQ51UQ5+.WR1UQ51UQ5/1.2

+ .WR1UQ51UQ5.3-W1
 =V1WR1UQ51UQ5+.WR1UQ51UQ5/1.4

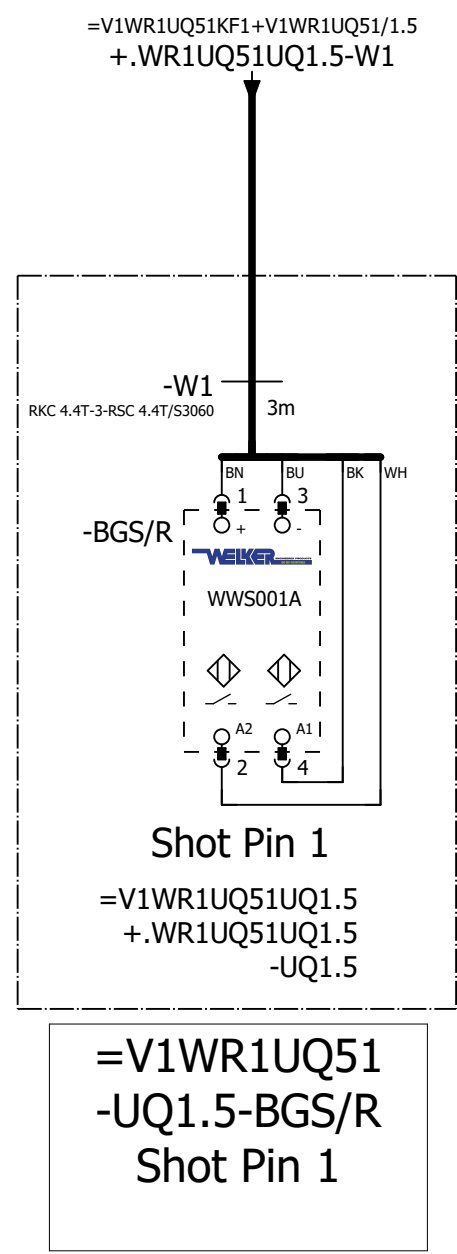
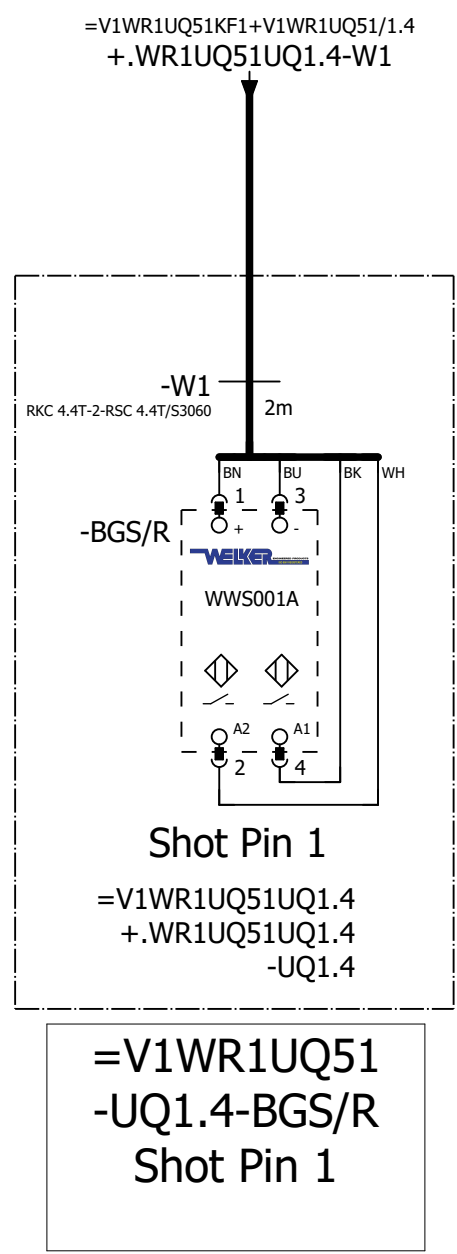
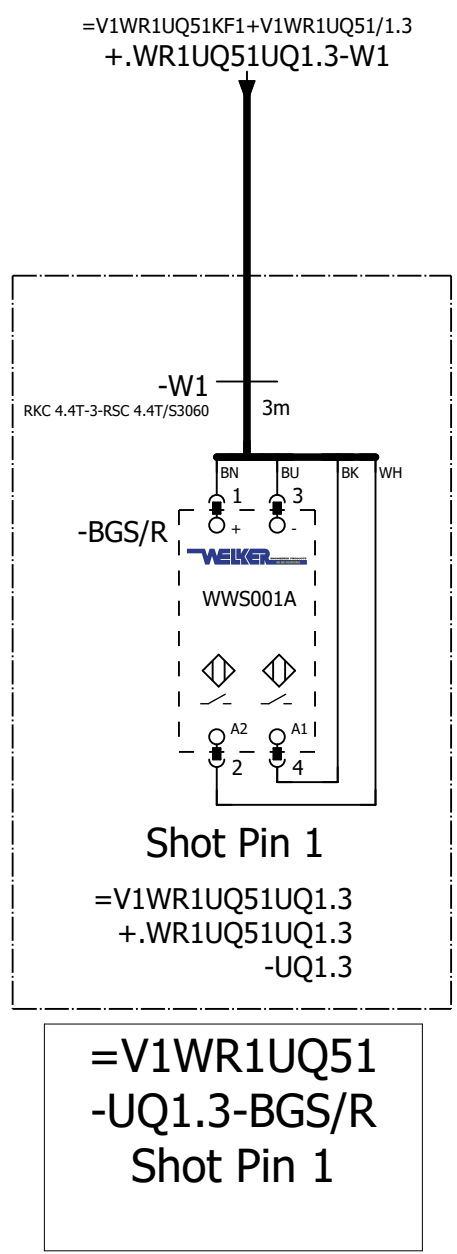
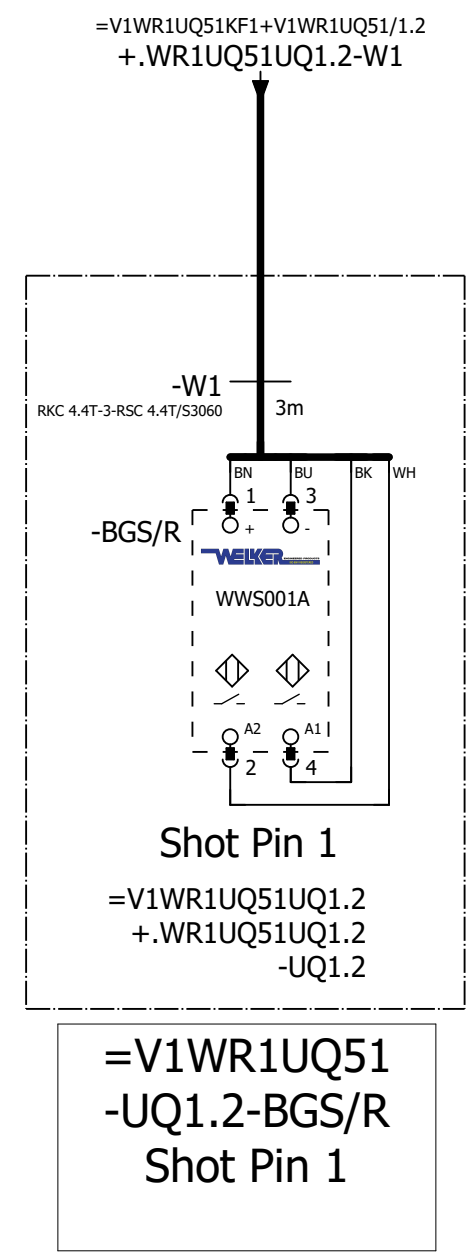
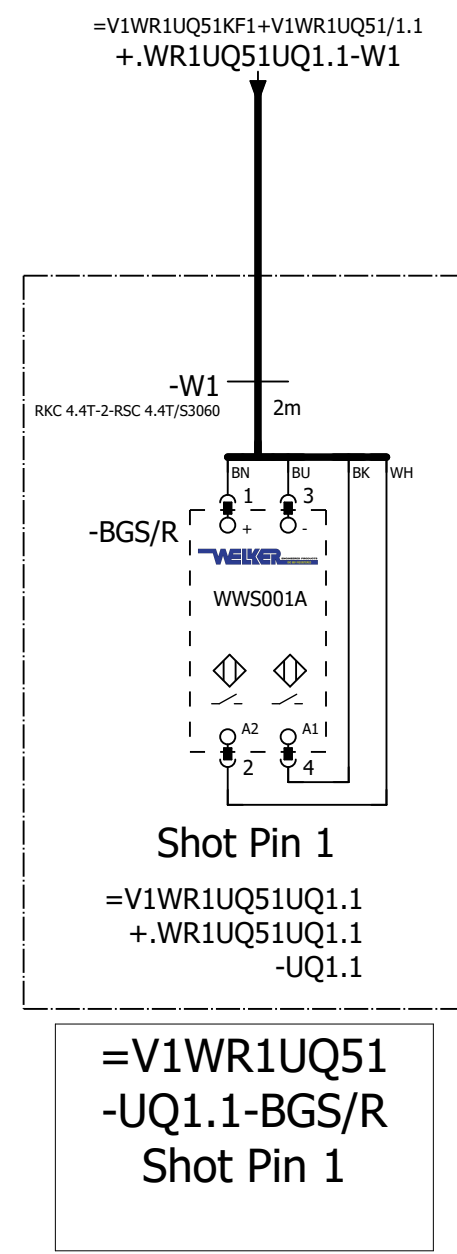
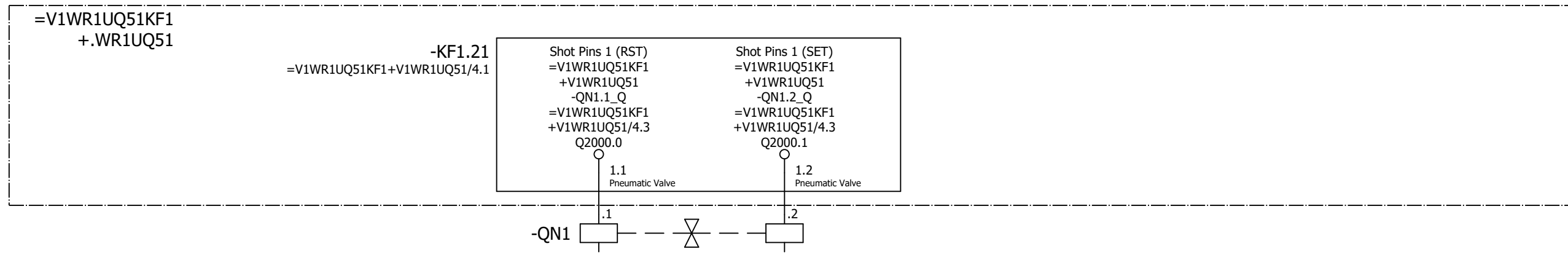
-KF1 -KF1.11 -KF1.12 -KF1.13 -KF1.20 -KF1.21 -KF1.22 -KF1.23 -KF1.24 -KF1.25

M1 M2 M3



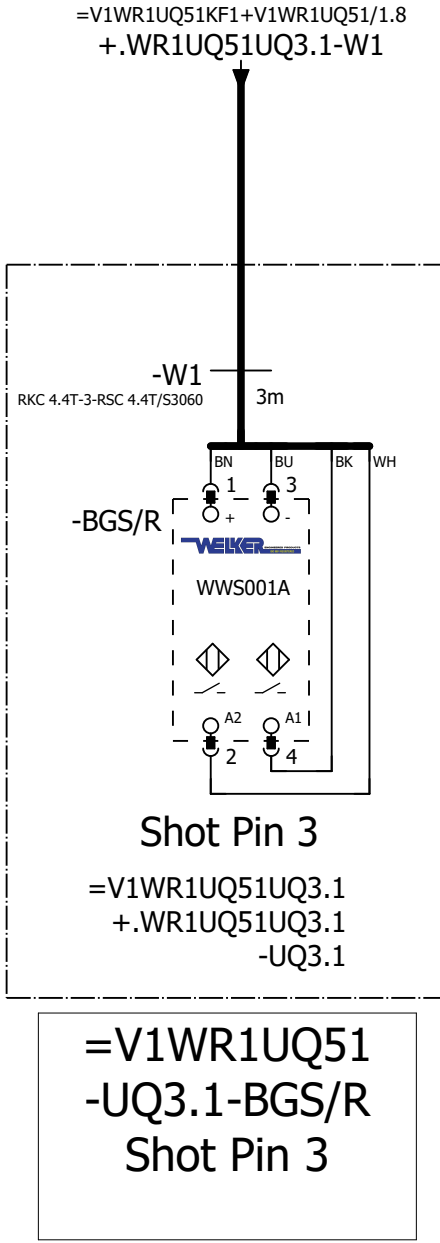
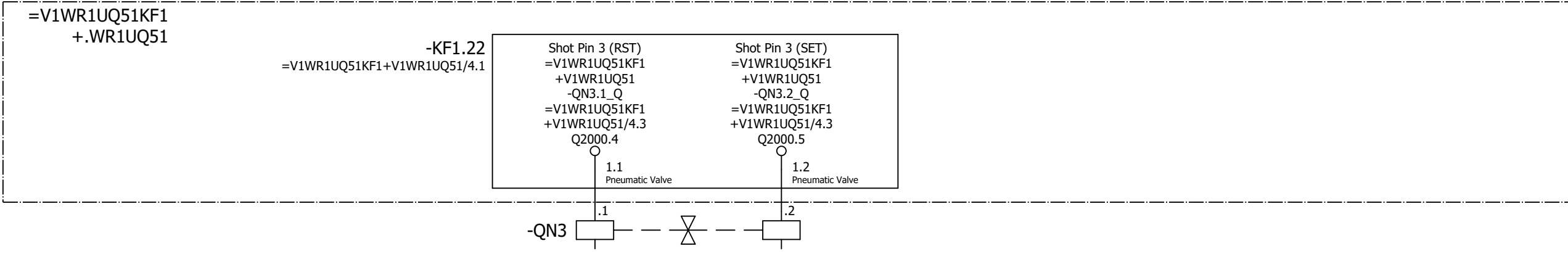
-KF1.21 =V1WR1UQ51UQ1+.WR1UQ51UQ1/1.3 =V1WR1UQ51UQ2+.WR1UQ51UQ2/1.3	FESTO	=V1WR1UQ51UQ1+.WR1UQ51UQ1/1.4	Q2000.0 $\text{DO}_{1.1}^0$	-QN1.1_Q	Shot Pins 1 (RST)
		=V1WR1UQ51UQ1+.WR1UQ51UQ1/1.4	Q2000.1 $\text{DO}_{1.2}^0$	-QN1.2_Q	Shot Pins 1 (SET)
		=V1WR1UQ51UQ2+.WR1UQ51UQ2/1.4	Q2000.2 $\text{DO}_{2.1}^0$	-QN2.1_Q	Shot Pin 2 (RST)
		=V1WR1UQ51UQ2+.WR1UQ51UQ2/1.4	Q2000.3 $\text{DO}_{3.2}^0$	-QN2.2_Q	Shot Pin 2 (SET)
-KF1.22 =V1WR1UQ51UQ3+.WR1UQ51UQ3/1.3 =V1WR1UQ51UQ4+.WR1UQ51UQ4/1.3	FESTO	=V1WR1UQ51UQ3+.WR1UQ51UQ3/1.4	Q2000.4 $\text{DO}_{1.1}^0$	-QN3.1_Q	Shot Pin 3 (RST)
		=V1WR1UQ51UQ3+.WR1UQ51UQ3/1.4	Q2000.5 $\text{DO}_{1.2}^0$	-QN3.2_Q	Shot Pin 3 (SET)
		=V1WR1UQ51UQ4+.WR1UQ51UQ4/1.4	Q2000.6 $\text{DO}_{2.1}^0$	-QN4.1_Q	Clamps 4 (RST)
		=V1WR1UQ51UQ4+.WR1UQ51UQ4/1.4	Q2000.7 $\text{DO}_{3.2}^0$	-QN4.2_Q	Clamps 4 (SET)
-KF1.23 =V1WR1UQ51UQ5+.WR1UQ51UQ5/1.3 =V1WR1UQ51UQ6+.WR1UQ51UQ6/1.3	FESTO	=V1WR1UQ51UQ5+.WR1UQ51UQ5/1.4	Q2001.0 $\text{DO}_{1.1}^0$	-QN5.1_Q	Clamps 5 (RST)
		=V1WR1UQ51UQ5+.WR1UQ51UQ5/1.4	Q2001.1 $\text{DO}_{1.2}^0$	-QN5.2_Q	Clamps 5 (SET)
		=V1WR1UQ51UQ6+.WR1UQ51UQ6/1.4	Q2001.2 $\text{DO}_{2.1}^0$	-QN6.1_Q	Spare (RST)
		=V1WR1UQ51UQ6+.WR1UQ51UQ6/1.4	Q2001.3 $\text{DO}_{3.2}^0$	-QN6.2_Q	Spare (SET)





=V1WR1UQ51KF1+V1WR1UQ51/4

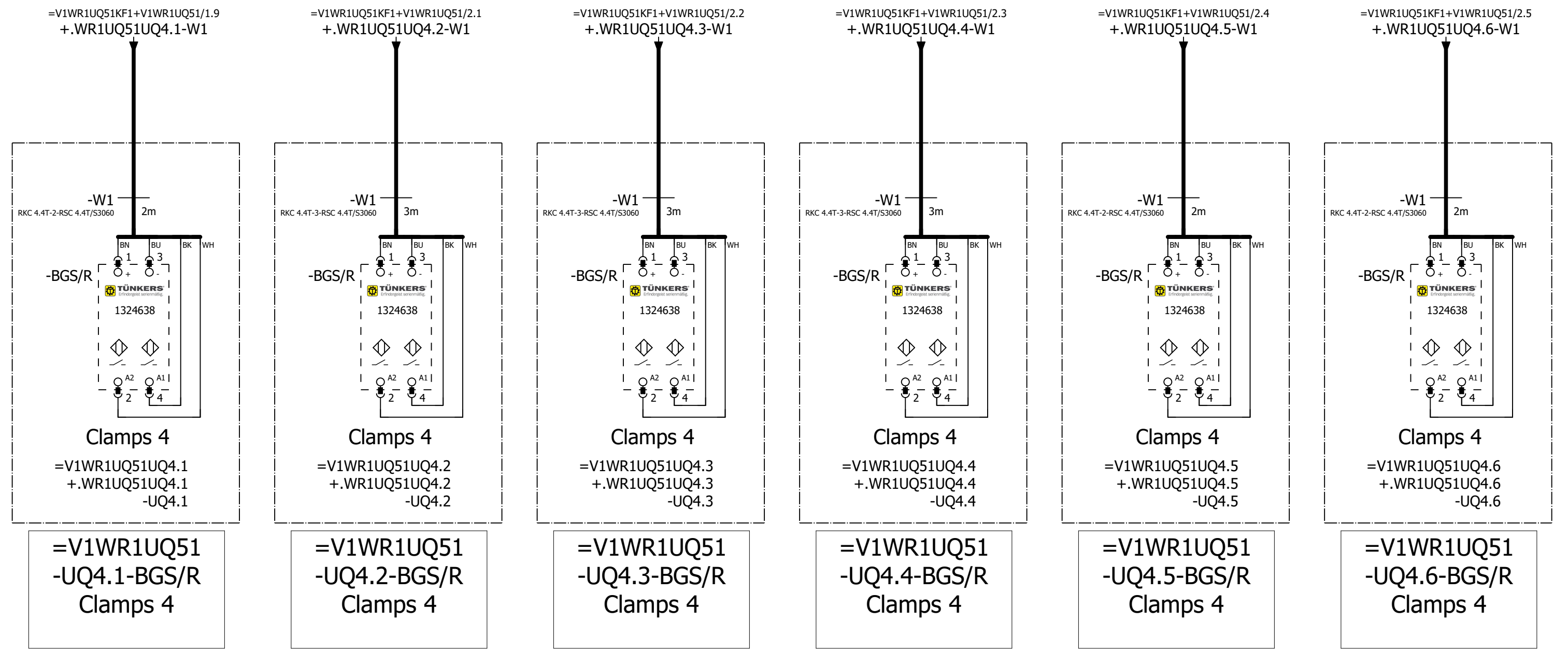
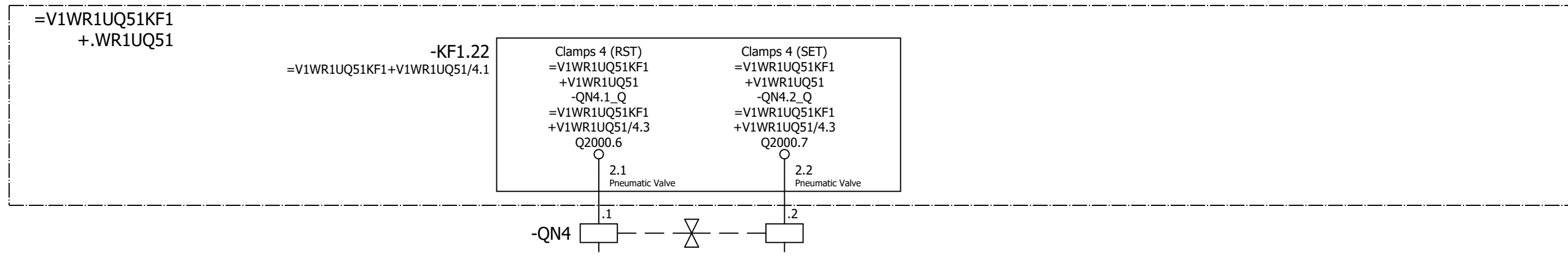
=V1WR1UQ51UQ2+.WR1UQ51UQ2/1



=V1WR1UQ51UQ2+.WR1UQ51UQ2/1

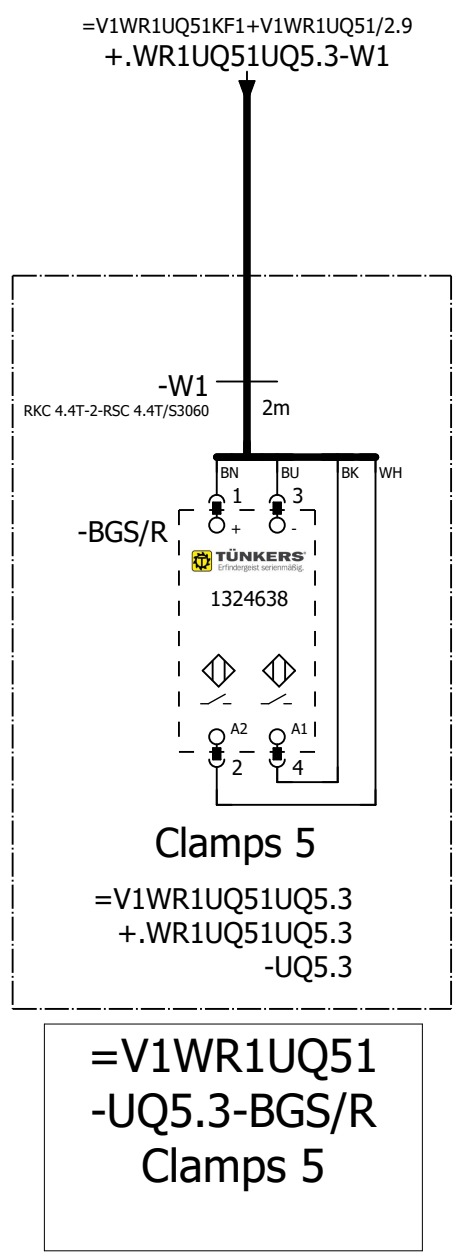
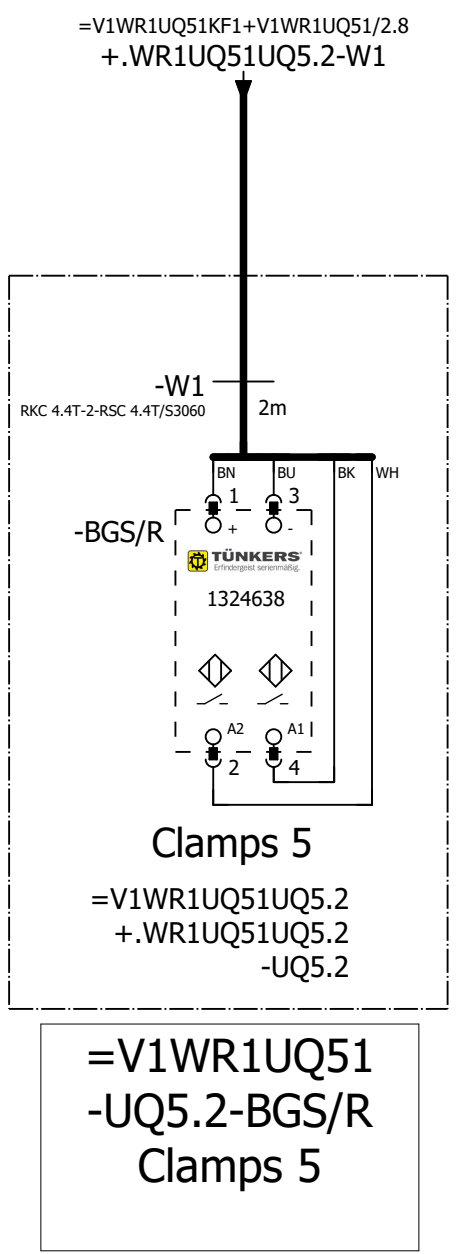
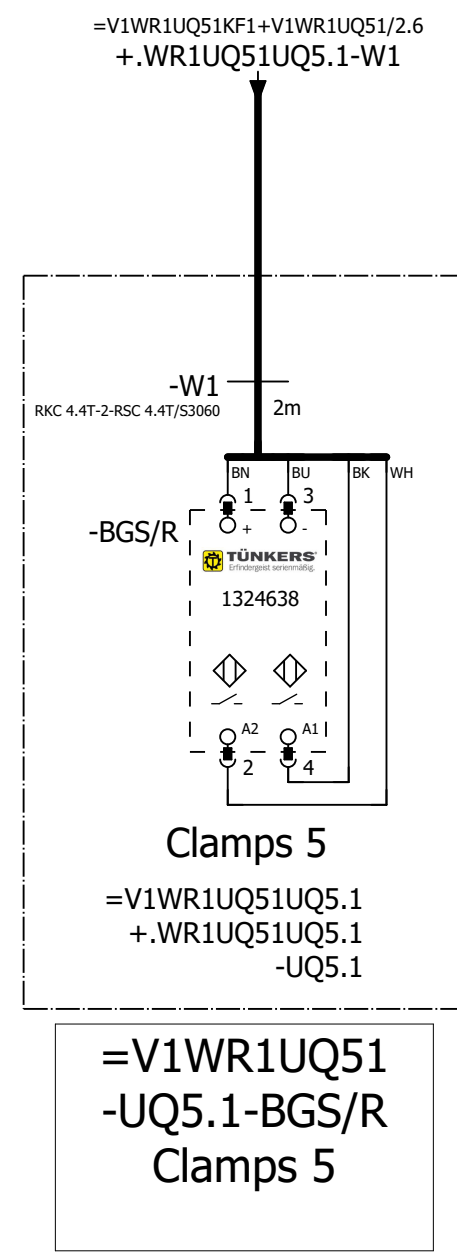
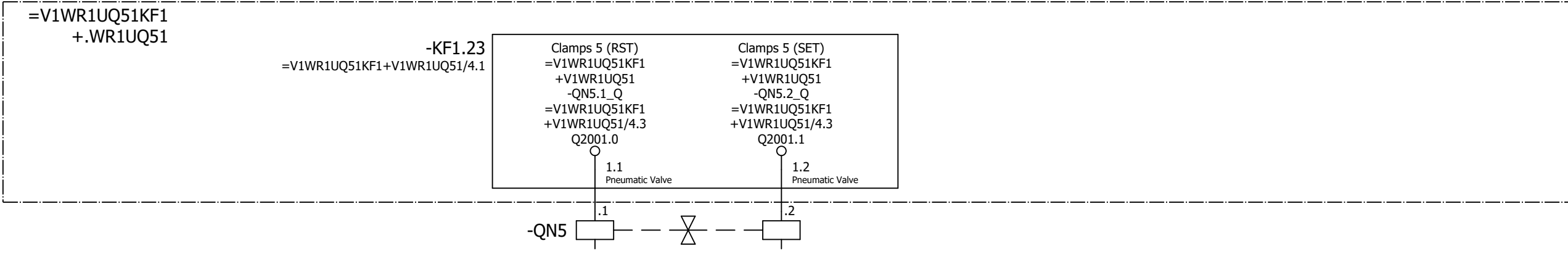
=V1WR1UQ51UQ4+.WR1UQ51UQ4/1

Date: 1/17/2023		Volvo Trucks North America		Valiant TMS		FESTO DQ CONNECTION QN3		Drawing name: =V1WR1UQ51UQ3	
Ed.: MKLEPADLO		P6700 Roof Inr & Dr Ring LH - Cell 2V07		Scale 1:1		Document type: EFS		= 2V07&EFS-EL	
Appr:		Replacement of						Project nr: 22-16144	
Modification	Date	Name	Original	Replaced by			Page 1		509



=V1WR1UQ51UQ3+.WR1UQ51UQ3/1

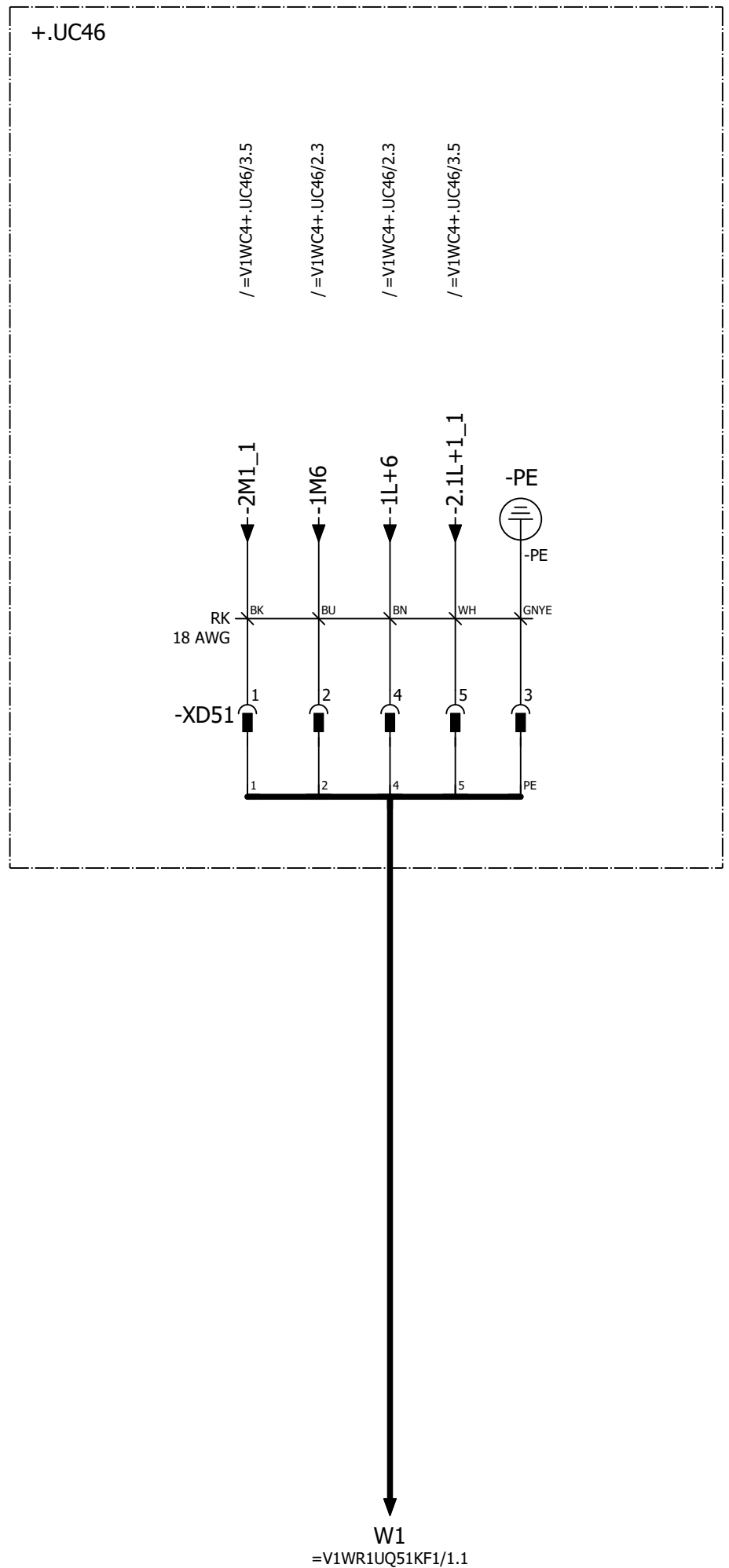
=V1WR1UQ51UQ5+.WR1UQ51UQ5/1



=V1WR1UQ51UQ4+.WR1UQ51UQ4/1

=V1WR1UQ51UQ6+.WR1UQ51UQ6/1

Date		1/17/2023		Volvo Trucks North America		Valiant TMS		FESTO DQ CONNECTION QN5		Drawing name: =2V07&EFS-EL		= V1WR1UQ51UQ5 + V1WR1UQ51UQ5	
Ed.		MKLEPADLO		P6700 Roof Inr & Dr Ring LH - Cell 2V07		Scale 1:1				Document type: EFS		Project nr: 22-16144	
Appr				Replacement of		Replaced by				Page		1	
Modification		Date		Name		Original				Page		509	



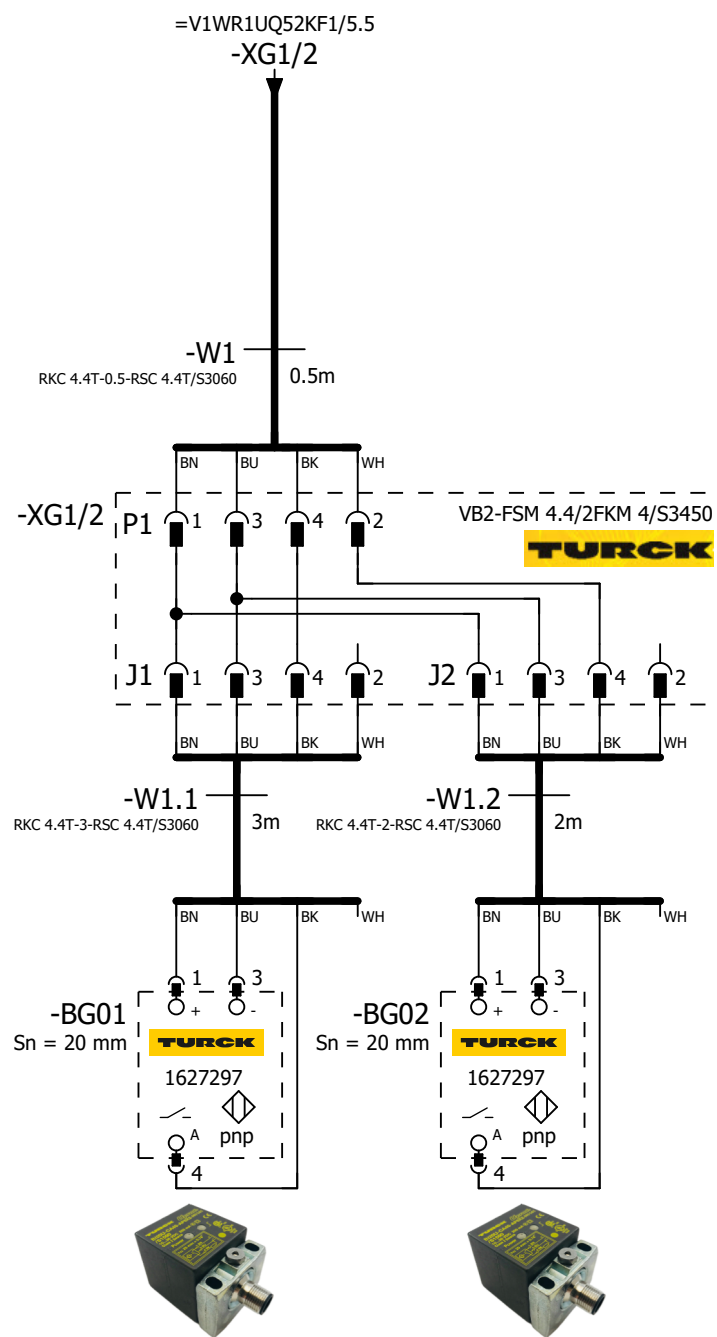
POWER IN / POWER OUT

- Pin 1: 0 V UA
- Pin 2: 0 V US
- Pin 3: FE
- Pin 4: +24 V US / 9 A
- Pin 5: +24 V UA / 9 A

Pin #	WIRE	COLOR
Pin 1	2M1_1	BK
Pin 2	1M6	BU
Pin 3	PE	GNYE
Pin 4	1L+6	BN
Pin 5	2.1L+1_1	WH

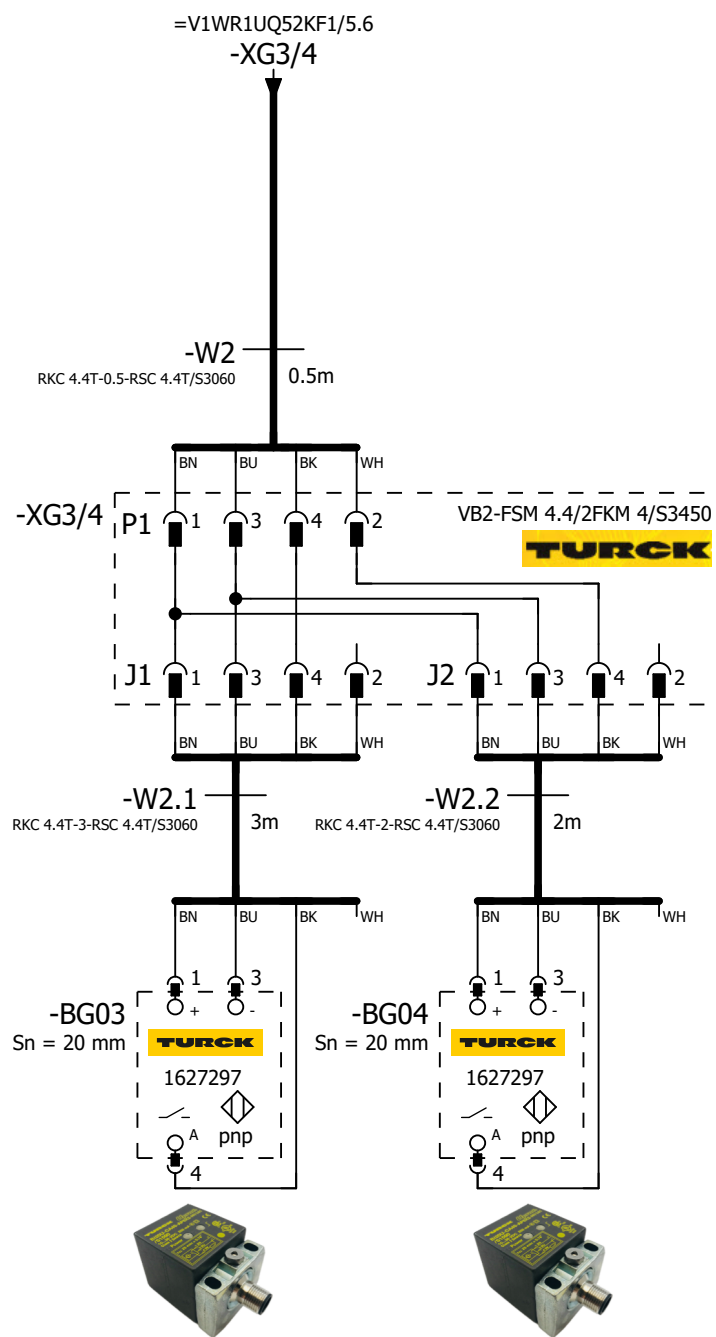
=V1WR1UQ51UQ6+.WR1UQ51UQ6/1

=V1WR1UQ52BG0+.WR1UQ52/1



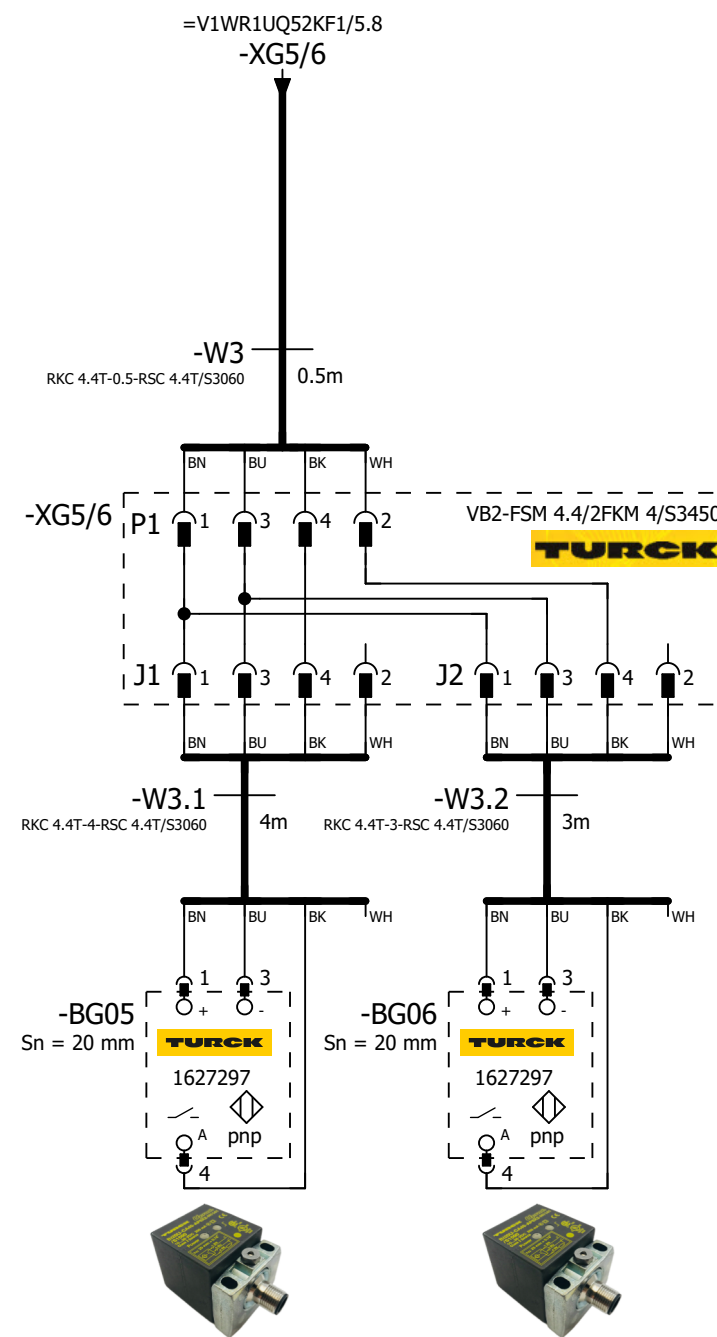
=V1WR1UQ52
-BG01
Roof Bow

=V1WR1UQ52
-BG02
Roof Bow



=V1WR1UQ52
-BG03
Roof Bow

=V1WR1UQ52
-BG04
Roof Bow

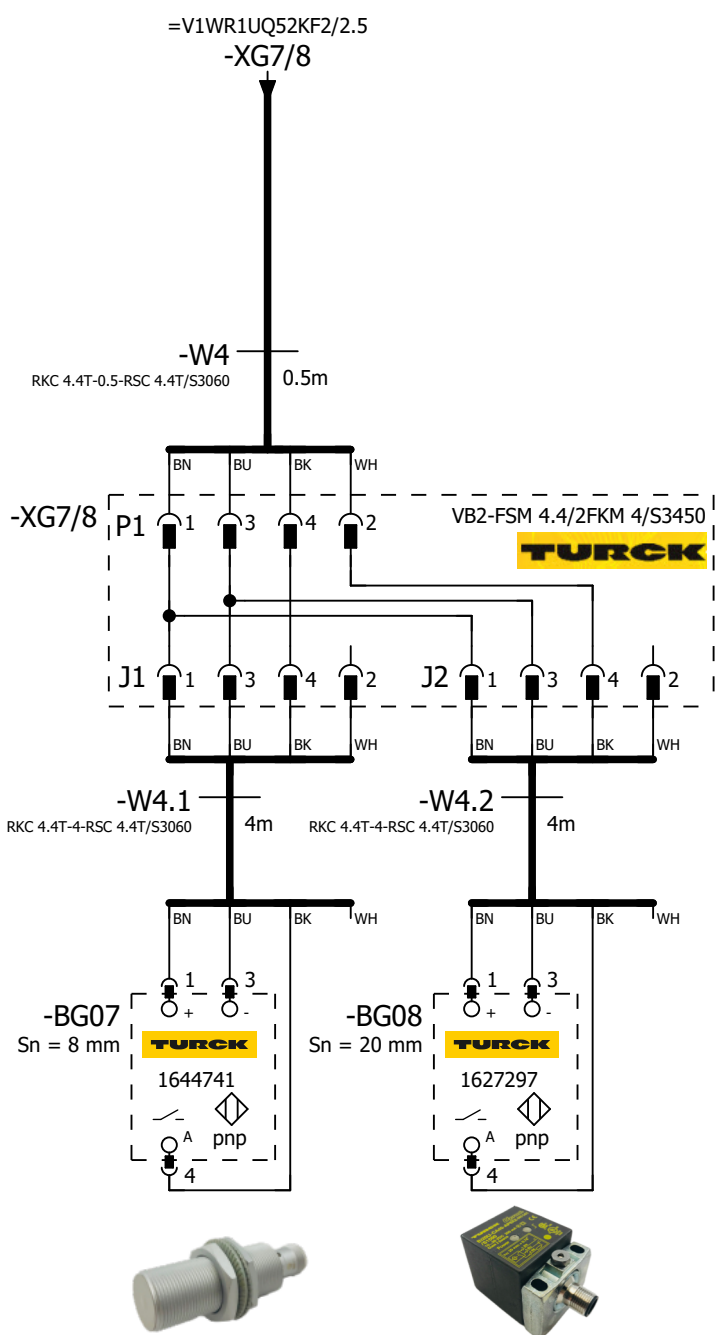


=V1WR1UQ52
-BG05
Reinf Sun Visor
Mount LH

=V1WR1UQ52
-BG06
Reinf Sun Visor
Mount RH

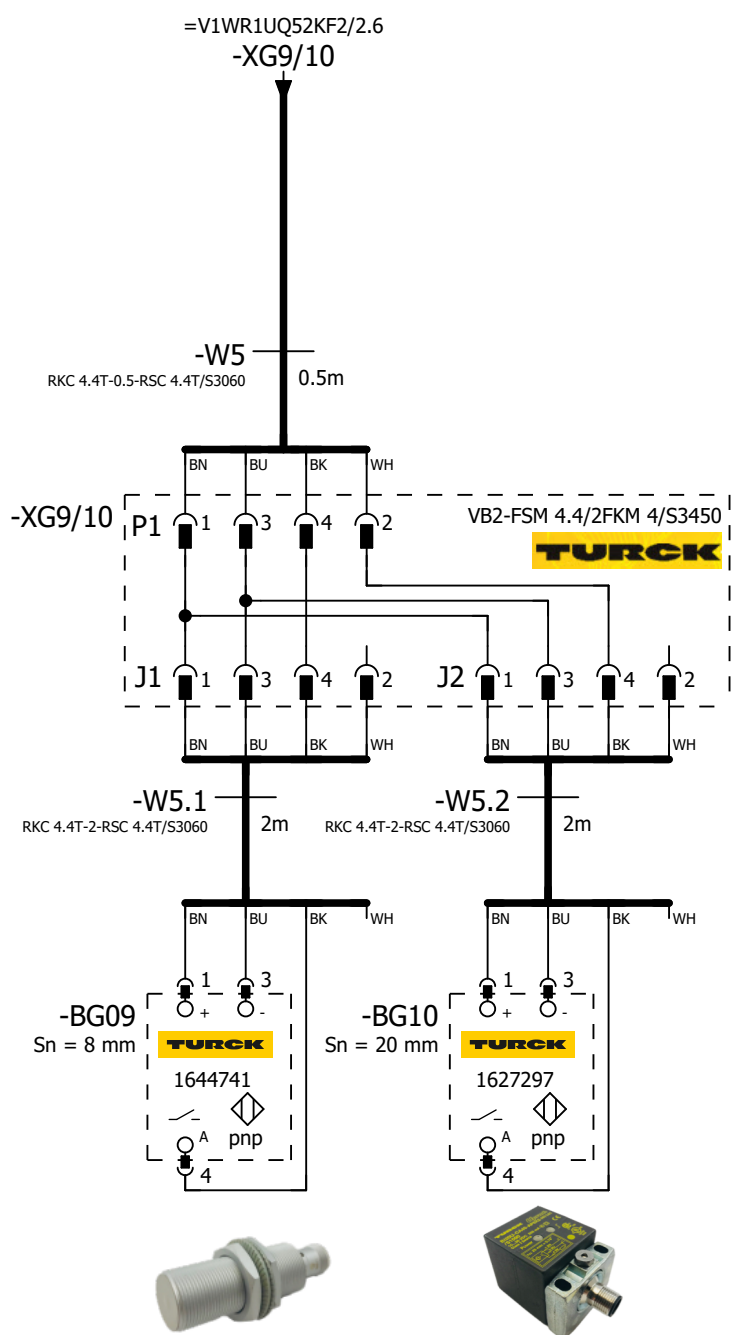
=V1WR1UQ51WC4+.WR1UQ51/1

			Date	1/17/2023	Volvo Trucks North America		Valiant TMS		SENSORS		Drawing name: =2V07&EFS-EL		= V1WR1UQ52BG0 + V1WR1UQ52	
			Ed.	MKLEPADLO	P6700 Roof Inr & Dr Ring LH - Cell 2V07		Scale 1:1				Document type: EFS		Project nr: 22-16144	
Modification	Date	Name	Original		Replacement of	Replaced by							Page	1
														509



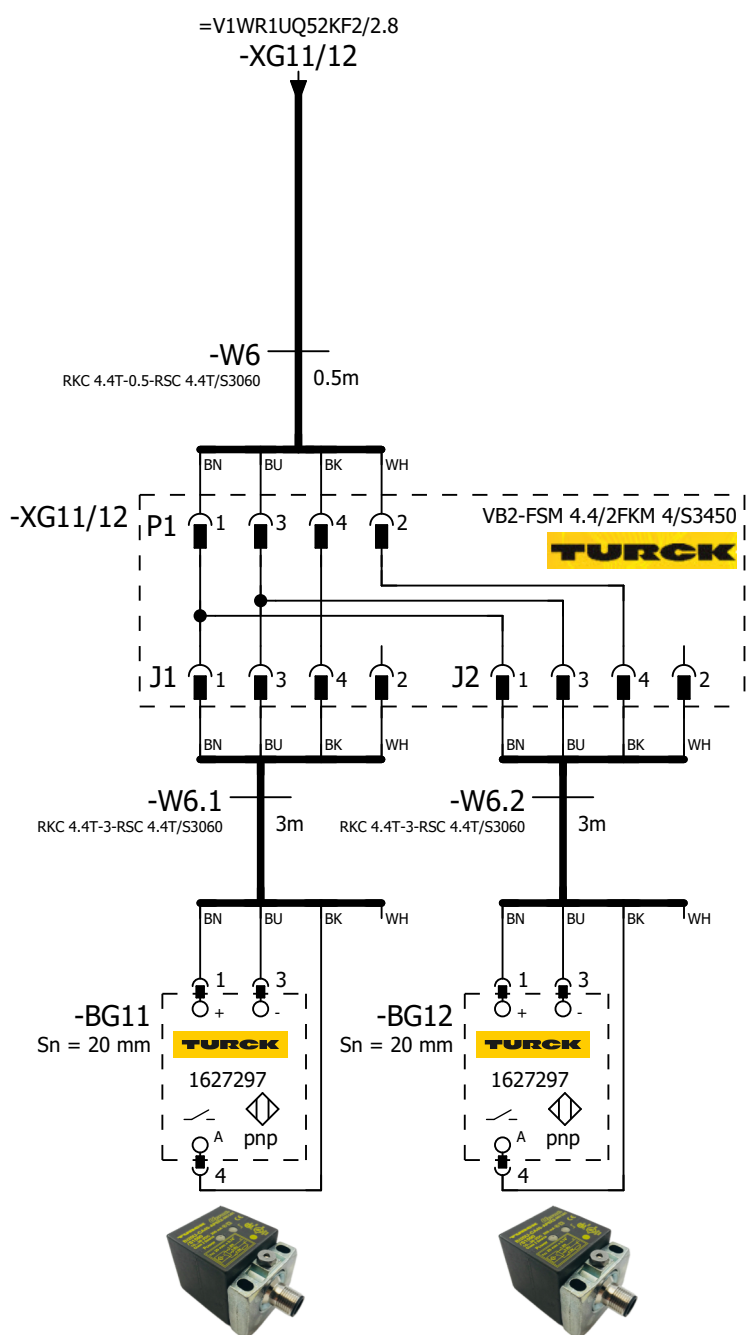
=V1WR1UQ52
-BG07
Roof Member
Long LH

=V1WR1UQ52
-BG08
Roof Member
Long LH



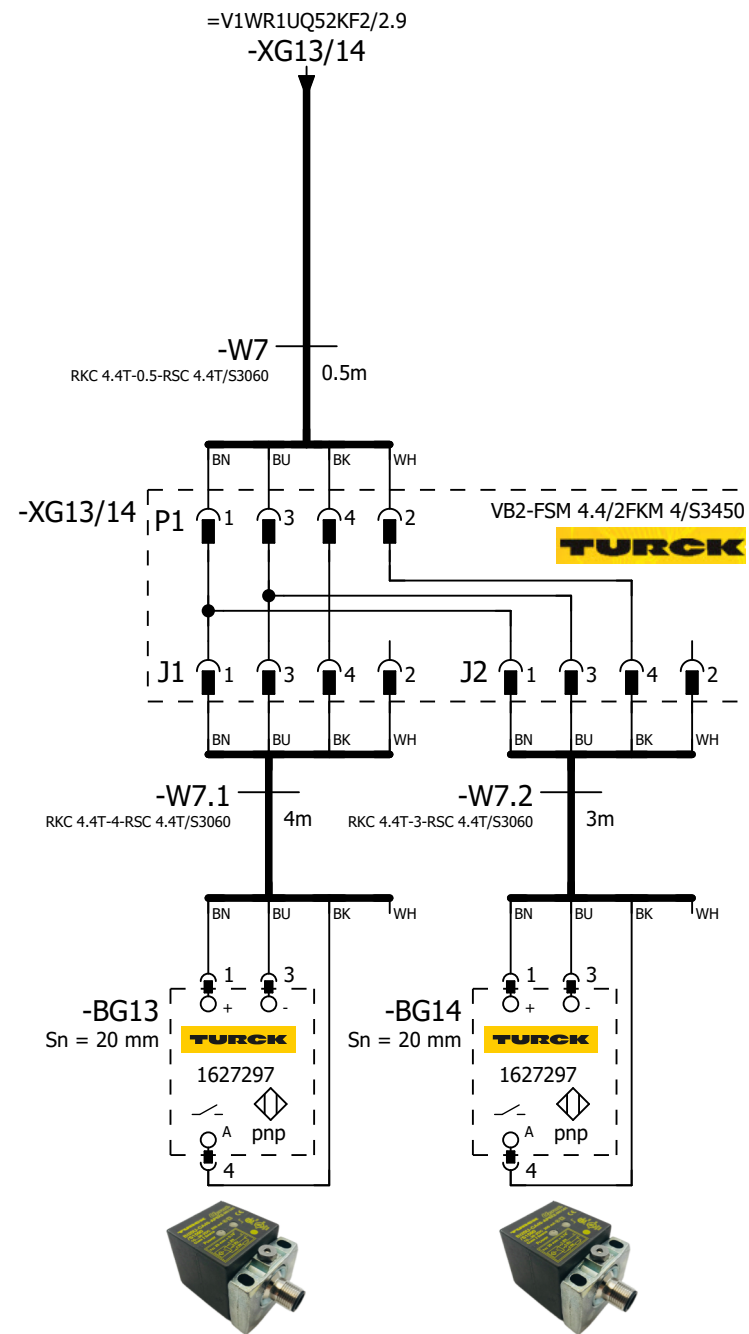
=V1WR1UQ52
-BG09
Roof Member
Long RH

=V1WR1UQ52
-BG10
Roof Member
Long RH



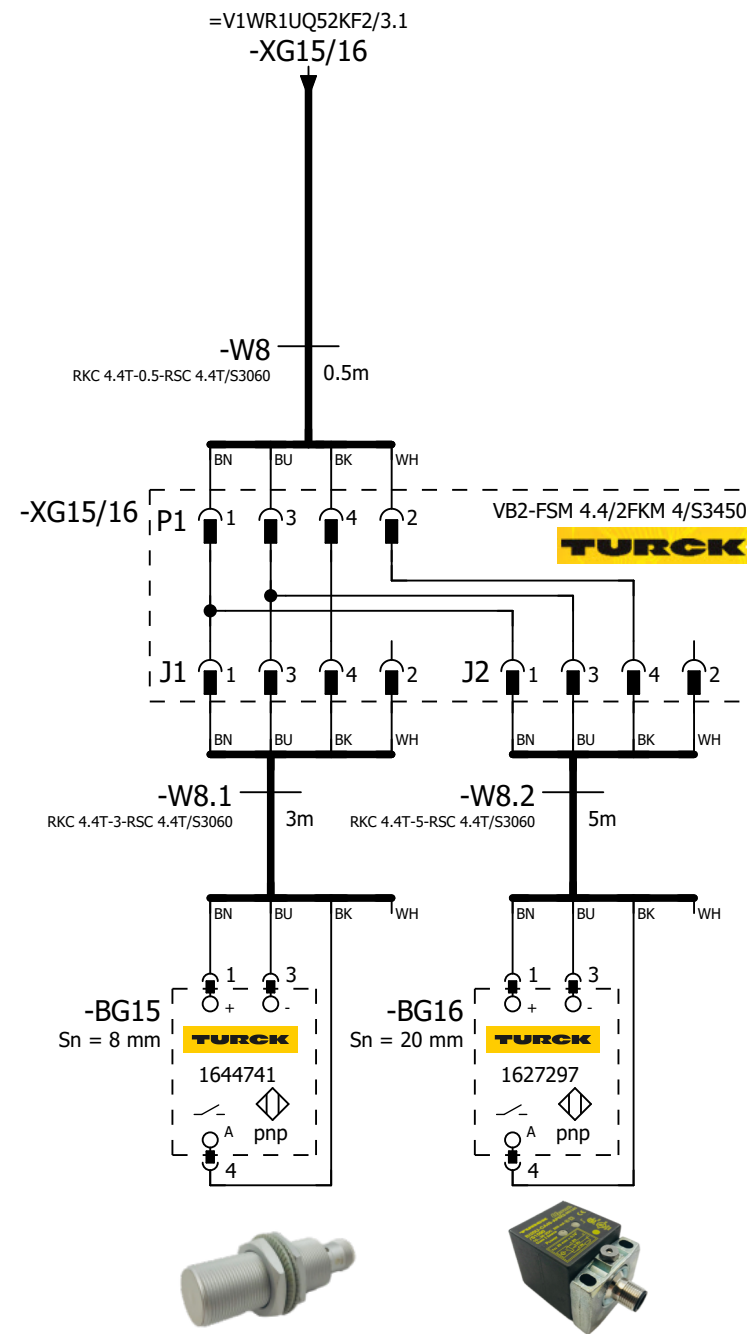
=V1WR1UQ52
-BG11
Roof Bow

=V1WR1UQ52
-BG12
Roof Bow



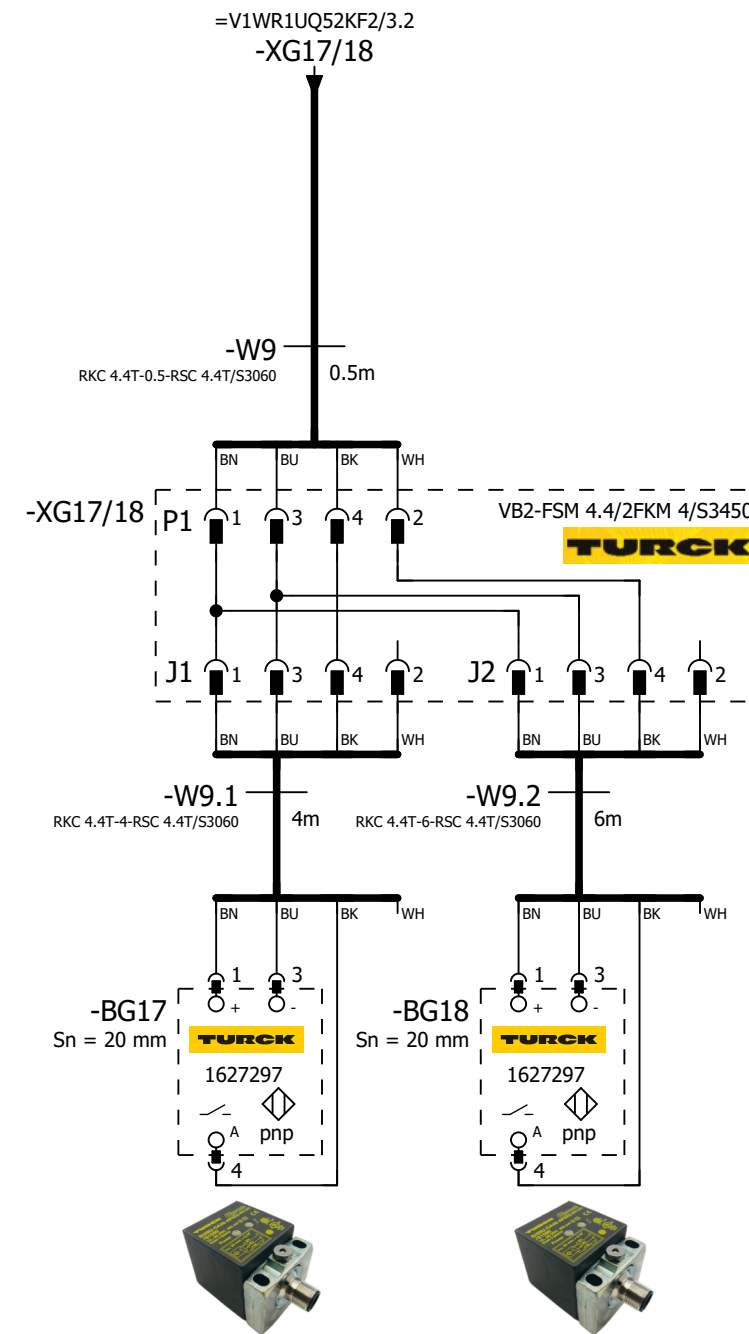
=V1WR1UQ52
-BG13
FRT Roof Header

=V1WR1UQ52
-BG14
FRT Roof Header



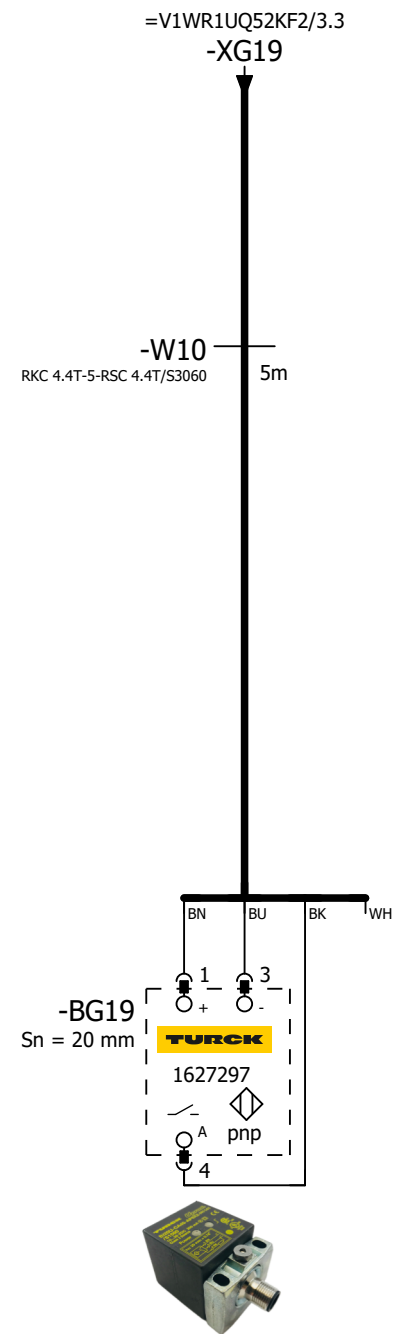
=V1WR1UQ52
-BG15
Reinf Sun Visor
Mount Center

=V1WR1UQ52
-BG16
Sun Visor Reinf
LH



=V1WR1UQ52
-BG17
Sun Visor Reinf
RH

=V1WR1UQ52
-BG18
FRT Roof Header



=V1WR1UQ52
-BG19
FRT Roof Header

3

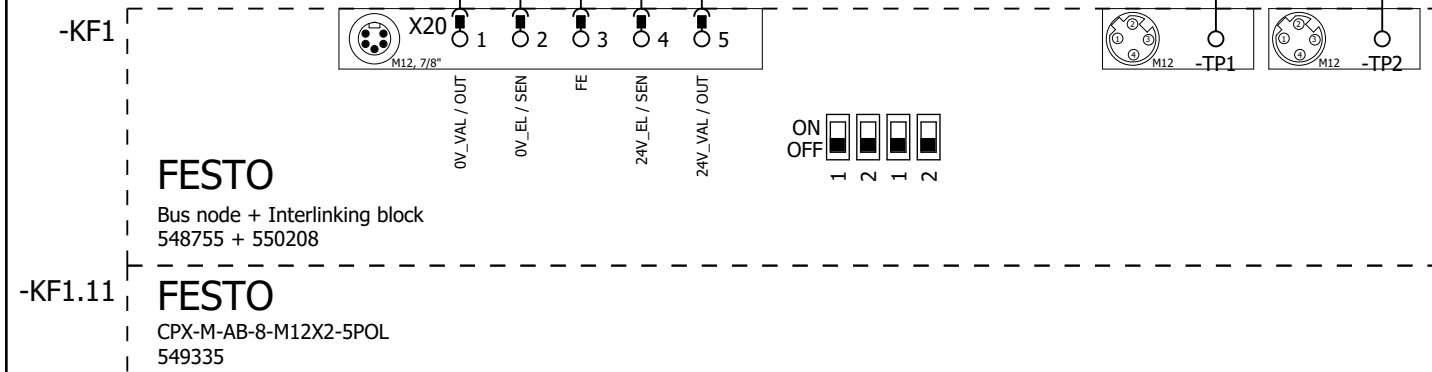
=V1WR1UQ52KF1/1

Date	1/17/2023	Volvo Trucks North America	Valiant TMS	SENSORS	Drawing name:	= V1WR1UQ52BG0		
Ed.	MKLEPADLO	P6700 Roof Inr & Dr Ring LH - Cell 2V07	Scale 1:1		=2V07&EFS-EL	+ V1WR1UQ52		
Appr					Document type:	Project nr:	Page	4
Modification	Date	Name	Original	Replacement of	Replaced by	EFS	22-16144	509

=V1WR1UQ52WC4/1.5 / W1.1 →
 =V1KF1+.UC46/2.6 / +.UC46-KF100.46-P4 →
 KF1-P2 / =V1WR1UQ52KF2/1.3

-W1.1
 RSM RKM 56-2M/S3059
 2m

-KF100.11-P12
 PROFINET Cable
 6XV1840-3AH10
 2 m

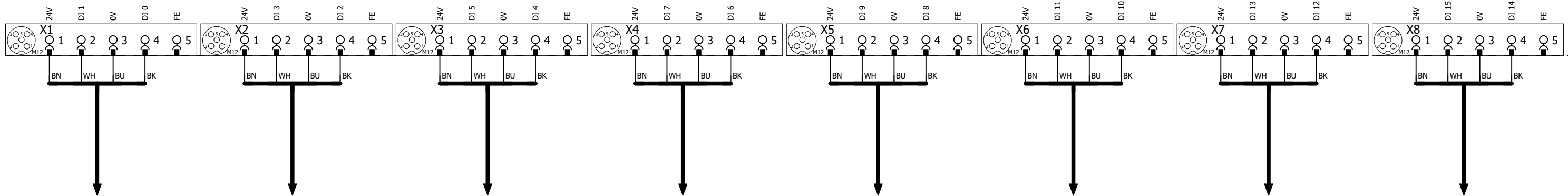


FESTO
 Bus node + Interlinking block
 548755 + 550208

FESTO
 CPX-M-AB-8-M12X2-5POL
 549335



I2025.0	DI ₀	x1:4	V1WR1UQ52UQ1.1-BGR	Shot Pin 1 (RESET)
I2025.1	DI ₁	x1:2	V1WR1UQ52UQ1.1-BGS	Shot Pin 1 (SET)
I2025.2	DI ₂	x2:4	V1WR1UQ52UQ1.2-BGR	Shot Pin 1 (RESET)
I2025.3	DI ₃	x2:2	V1WR1UQ52UQ1.2-BGS	Shot Pin 1 (SET)
I2025.4	DI ₄	x3:4	V1WR1UQ52UQ1.3-BGR	Shot Pin 1 (RESET)
I2025.5	DI ₅	x3:2	V1WR1UQ52UQ1.3-BGS	Shot Pin 1 (SET)
I2025.6	DI ₆	x4:4	V1WR1UQ52UQ1.4-BGR	Shot Pin 1 (RESET)
I2025.7	DI ₇	x4:2	V1WR1UQ52UQ1.4-BGS	Shot Pin 1 (SET)
I2026.0	DI ₈	x5:4	V1WR1UQ52UQ1.5-BGR	Shot Pin 1 (RESET)
I2026.1	DI ₉	x5:2	V1WR1UQ52UQ1.5-BGS	Shot Pin 1 (SET)
I2026.2	DI ₁₀	x6:4	V1WR1UQ52UQ1.6-BGR	Shot Pin 1 (RESET)
I2026.3	DI ₁₁	x6:2	V1WR1UQ52UQ1.6-BGS	Shot Pin 1 (SET)
I2026.4	DI ₁₂	x7:4	V1WR1UQ52UQ2.1-BGR	Shot Pin 2 (RESET)
I2026.5	DI ₁₃	x7:2	V1WR1UQ52UQ2.1-BGS	Shot Pin 2 (SET)
I2026.6	DI ₁₄	x8:4	V1WR1UQ52UQ2.2-BGR	Shot Pin 2 (RESET)
I2026.7	DI ₁₅	x8:2	V1WR1UQ52UQ2.2-BGS	Shot Pin 2 (SET)



+ .WR1UQ52UQ1.1-W1
 =V1WR1UQ52UQ1+.WR1UQ52UQ01/1.1

+ .WR1UQ52UQ1.2-W1
 =V1WR1UQ52UQ1+.WR1UQ52UQ01/1.4

+ .WR1UQ52UQ1.3-W1
 =V1WR1UQ52UQ1+.WR1UQ52UQ01/1.7

+ .WR1UQ52UQ1.4-W1
 =V1WR1UQ52UQ1+.WR1UQ52UQ01/1.9

+ .WR1UQ52UQ1.5-W1
 =V1WR1UQ52UQ1+.WR1UQ52UQ01/2.1

+ .WR1UQ52UQ1.6-W1
 =V1WR1UQ52UQ1+.WR1UQ52UQ01/2.2

+ .WR1UQ52UQ2.1-W1
 =V1WR1UQ52UQ2+.WR1UQ52UQ02/1.1

+ .WR1UQ52UQ2.2-W1
 =V1WR1UQ52UQ2+.WR1UQ52UQ02/1.2

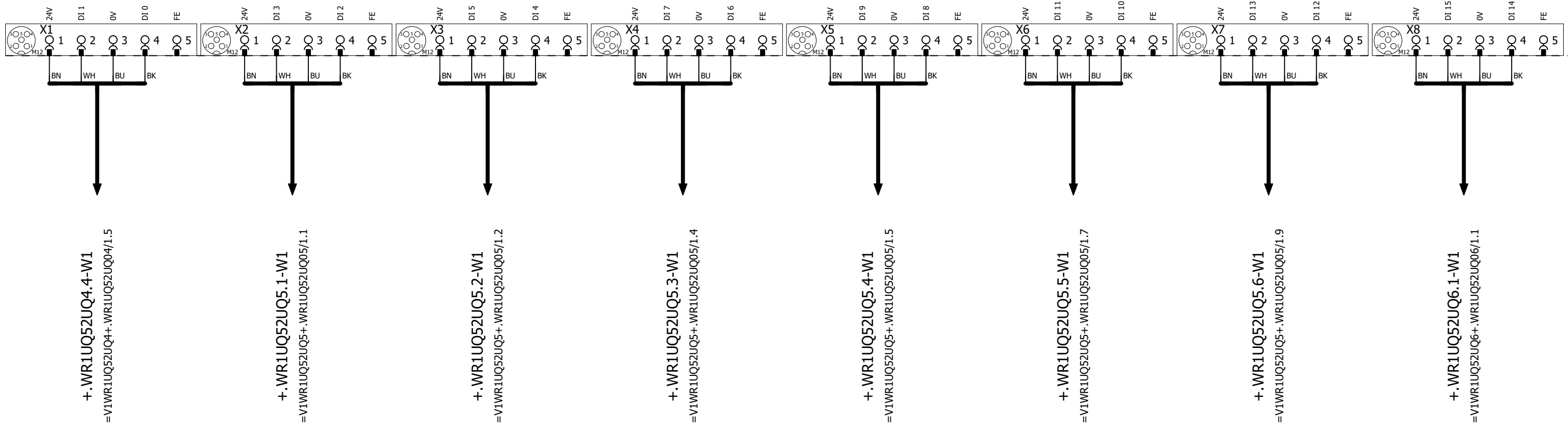
=V1WR1UQ52BG0/4

-KF1.13

FESTO
 CPX-M-AB-8-M12X2-5POL
 549335



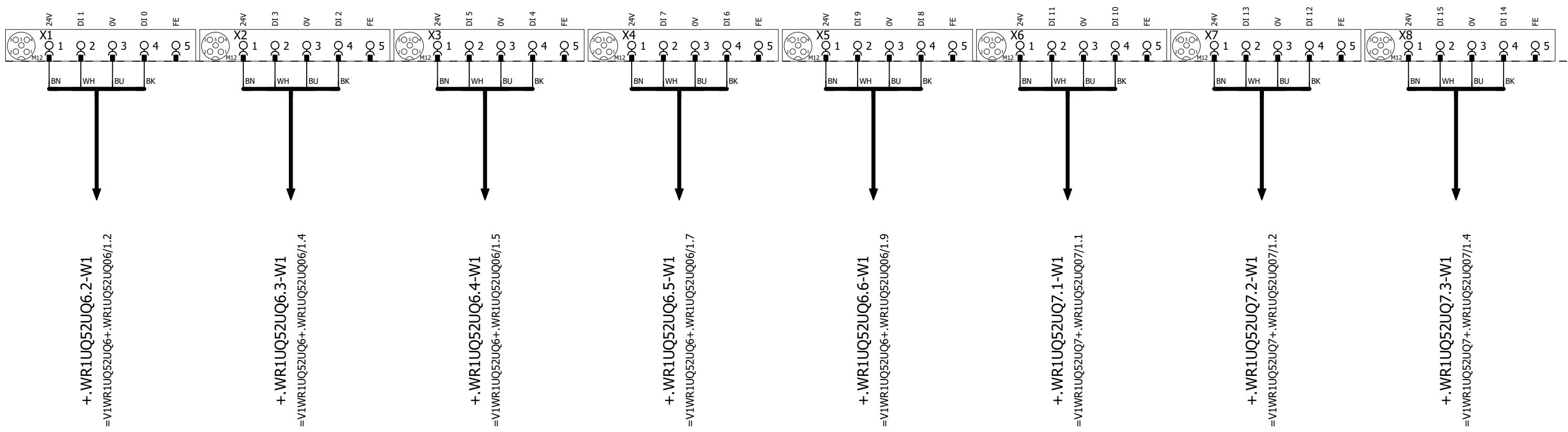
I2029.0	DI ₀	X1:4	V1WR1UQ52UQ4.4-BGR	Shot Pin 4 (RESET)
I2029.1	DI ₁	X1:2	V1WR1UQ52UQ4.4-BGS	Shot Pin 4 (SET)
I2029.2	DI ₂	X2:4	V1WR1UQ52UQ5.1-BGR	Clamp 1 (RESET)
I2029.3	DI ₃	X2:2	V1WR1UQ52UQ5.1-BGS	Clamp 1 (SET)
I2029.4	DI ₄	X3:4	V1WR1UQ52UQ5.2-BGR	Clamp 1 (RESET)
I2029.5	DI ₅	X3:2	V1WR1UQ52UQ5.2-BGS	Clamp 1 (SET)
I2029.6	DI ₆	X4:4	V1WR1UQ52UQ5.3-BGR	Clamp 1 (RESET)
I2029.7	DI ₇	X4:2	V1WR1UQ52UQ5.3-BGS	Clamp 1 (SET)
I2030.0	DI ₈	X5:4	V1WR1UQ52UQ5.4-BGR	Clamp 1 (RESET)
I2030.1	DI ₉	X5:2	V1WR1UQ52UQ5.4-BGS	Clamp 1 (SET)
I2030.2	DI ₁₀	X6:4	V1WR1UQ52UQ5.5-BGR	Clamp 1 (RESET)
I2030.3	DI ₁₁	X6:2	V1WR1UQ52UQ5.5-BGS	Clamp 1 (SET)
I2030.4	DI ₁₂	X7:4	V1WR1UQ52UQ5.6-BGR	Clamp 1 (RESET)
I2030.5	DI ₁₃	X7:2	V1WR1UQ52UQ5.6-BGS	Clamp 1 (SET)
I2030.6	DI ₁₄	X8:4	V1WR1UQ52UQ6.1-BGR	Clamp 2 (RESET)
I2030.7	DI ₁₅	X8:2	V1WR1UQ52UQ6.1-BGS	Clamp 2 (SET)

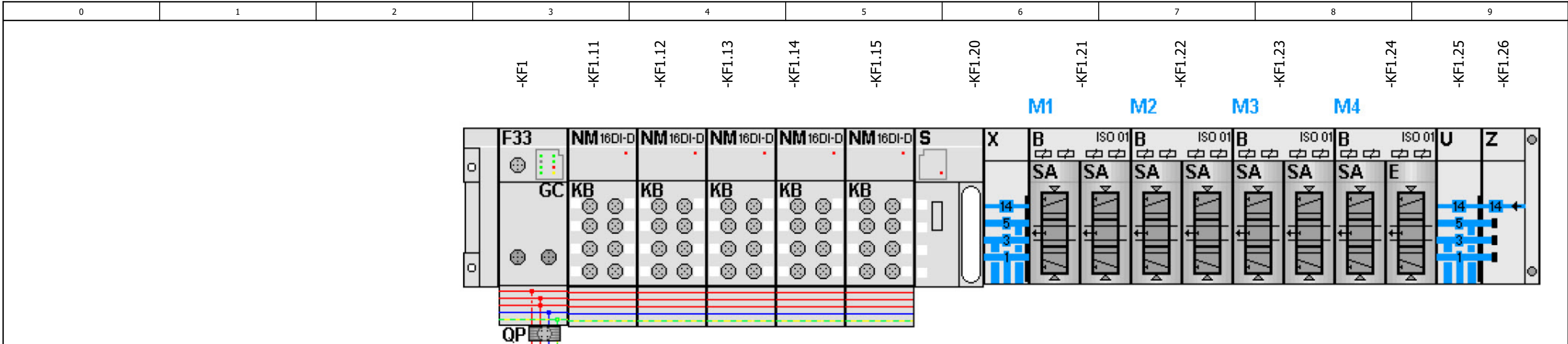


-KF1.14 **FESTO**
 CPX-M-AB-8-M12X2-5POL
 549335



I2031.0	DI ₀	X1:4	V1WR1UQ52UQ6.2-BGR	Clamp 2 (RESET)
I2031.1	DI ₁	X1:2	V1WR1UQ52UQ6.2-BGS	Clamp 2 (SET)
I2031.2	DI ₂	X2:4	V1WR1UQ52UQ6.3-BGR	Clamp 2 (RESET)
I2031.3	DI ₃	X2:2	V1WR1UQ52UQ6.3-BGS	Clamp 2 (SET)
I2031.4	DI ₄	X3:4	V1WR1UQ52UQ6.4-BGR	Clamp 2 (RESET)
I2031.5	DI ₅	X3:2	V1WR1UQ52UQ6.4-BGS	Clamp 2 (SET)
I2031.6	DI ₆	X4:4	V1WR1UQ52UQ6.5-BGR	Clamp 2 (RESET)
I2031.7	DI ₇	X4:2	V1WR1UQ52UQ6.5-BGS	Clamp 2 (SET)
I2032.0	DI ₈	X5:4	V1WR1UQ52UQ6.6-BGR	Clamp 2 (RESET)
I2032.1	DI ₉	X5:2	V1WR1UQ52UQ6.6-BGS	Clamp 2 (SET)
I2032.2	DI ₁₀	X6:4	V1WR1UQ52UQ7.1-BGR	Clamp 3 (RESET)
I2032.3	DI ₁₁	X6:2	V1WR1UQ52UQ7.1-BGS	Clamp 3 (SET)
I2032.4	DI ₁₂	X7:4	V1WR1UQ52UQ7.2-BGR	Clamp 3 (RESET)
I2032.5	DI ₁₃	X7:2	V1WR1UQ52UQ7.2-BGS	Clamp 3 (SET)
I2032.6	DI ₁₄	X8:4	V1WR1UQ52UQ7.3-BGR	Clamp 3 (RESET)
I2032.7	DI ₁₅	X8:2	V1WR1UQ52UQ7.3-BGS	Clamp 3 (SET)





-KF1.21
 =V1WR1UQ52UQ1+.WR1UQ52UQ01/1.3
 =V1WR1UQ52UQ2+.WR1UQ52UQ02/1.3

FESTO	=V1WR1UQ52UQ1+.WR1UQ52UQ01/1.4	Q2025.0 $\text{DO}_{1.1}$	-QN1.1_Q	Shot Pins 1 (RST)
	=V1WR1UQ52UQ1+.WR1UQ52UQ01/1.4	Q2025.1 $\text{DO}_{1.2}$	-QN1.2_Q	Shot Pins 1 (SET)
	=V1WR1UQ52UQ2+.WR1UQ52UQ02/1.4	Q2025.2 $\text{DO}_{2.1}$	-QN2.1_Q	Shot Pins 2 (RST)
	=V1WR1UQ52UQ2+.WR1UQ52UQ02/1.4	Q2025.3 $\text{DO}_{3.2}$	-QN2.2_Q	Shot Pins 2 (SET)

-KF1.22
 =V1WR1UQ52UQ3+.WR1UQ52UQ03/1.3
 =V1WR1UQ52UQ4+.WR1UQ52UQ04/1.3

FESTO	=V1WR1UQ52UQ3+.WR1UQ52UQ03/1.4	Q2025.4 $\text{DO}_{1.1}$	-QN3.1_Q	Shot Pin 3 (RST)
	=V1WR1UQ52UQ3+.WR1UQ52UQ03/1.4	Q2025.5 $\text{DO}_{1.2}$	-QN3.2_Q	Shot Pin 3 (SET)
	=V1WR1UQ52UQ4+.WR1UQ52UQ04/1.4	Q2025.6 $\text{DO}_{2.1}$	-QN4.1_Q	Shot Pins 4 (RST)
	=V1WR1UQ52UQ4+.WR1UQ52UQ04/1.4	Q2025.7 $\text{DO}_{3.2}$	-QN4.1_Q	Shot Pins 4 (SET)

-KF1.23
 =V1WR1UQ52UQ5+.WR1UQ52UQ05/1.3
 =V1WR1UQ52UQ6+.WR1UQ52UQ06/1.3

FESTO	=V1WR1UQ52UQ5+.WR1UQ52UQ05/1.4	Q2026.0 $\text{DO}_{1.1}$	-QN5.1_Q	Clamps 1 (RST)
	=V1WR1UQ52UQ5+.WR1UQ52UQ05/1.4	Q2026.1 $\text{DO}_{1.2}$	-QN5.1_Q	Clamps 1 (SET)
	=V1WR1UQ52UQ6+.WR1UQ52UQ06/1.4	Q2026.2 $\text{DO}_{2.1}$	-QN6.1_Q	Clamps 2 (RST)
	=V1WR1UQ52UQ6+.WR1UQ52UQ06/1.4	Q2026.3 $\text{DO}_{3.2}$	-QN6.1_Q	Clamps 2 (SET)

-KF1.24
 =V1WR1UQ52UQ7+.WR1UQ52UQ07/1.3
 =V1WR1UQ52UQ11+.WR1UQ52UQ11/1.3

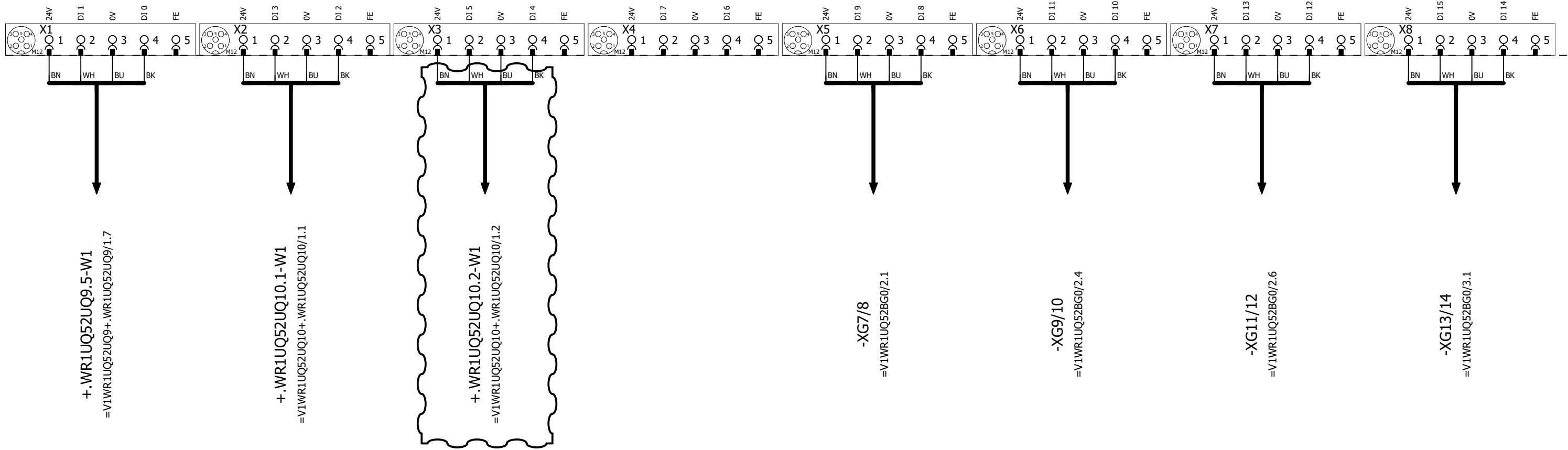
FESTO	=V1WR1UQ52UQ7+.WR1UQ52UQ07/1.4	Q2026.4 $\text{DO}_{1.1}$	-QN7.1_Q	Clamps 3 (RST)
	=V1WR1UQ52UQ7+.WR1UQ52UQ07/1.4	Q2026.5 $\text{DO}_{1.2}$	-QN7.1_Q	Clamps 3 (SET)
	=V1WR1UQ52UQ11+.WR1UQ52UQ11/1.4	Q2026.6 $\text{DO}_{2.1}$	-QN8.1_Q	Slide (RST)
	=V1WR1UQ52UQ11+.WR1UQ52UQ11/1.4	Q2026.7 $\text{DO}_{3.2}$	-QN8.1_Q	Slide (SET)

-KF2.12

FESTO
CPX-M-AB-8-M12X2-5POL
549335



I2052.0	DI ₀ -x1:4	V1WR1UQ52UQ9.5-BGR	Clamp 5 (RESET)
I2052.1	DI ₁ -x1:2	V1WR1UQ52UQ9.5-BGS	Clamp 5 (SET)
I2052.2	DI ₂ -x2:4	V1WR1UQ52UQ10.1-BGR	Clamp 6 (RESET)
I2052.3	DI ₃ -x2:2	V1WR1UQ52UQ10.1-BGS	Clamp 6 (SET)
I2052.4	DI ₄ -x3:4	V1WR1UQ52UQ10.2-BGR	Clamp 6 (RESET)
I2052.5	DI ₅ -x3:2	V1WR1UQ52UQ10.2-BGS	Clamp 6 (SET)
I2052.6	DI ₆ -x4:4	I2052.6	Spare
I2052.7	DI ₇ -x4:2	I2052.7	Spare
I2053.0	DI ₈ -x5:4	V1WR1UQ52-BG07	Roof Member Long LH
I2053.1	DI ₉ -x5:2	V1WR1UQ52-BG08	Roof Member Long LH
I2053.2	DI ₁₀ -x6:4	V1WR1UQ52-BG09	Roof Member Long RH
I2053.3	DI ₁₁ -x6:2	V1WR1UQ52-BG10	Roof Member Long RH
I2053.4	DI ₁₂ -x7:4	V1WR1UQ52-BG11	Roof Bow
I2053.5	DI ₁₃ -x7:2	V1WR1UQ52-BG12	Roof Bow
I2053.6	DI ₁₄ -x8:4	V1WR1UQ52-BG13	FRT Roof Header
I2053.7	DI ₁₅ -x8:2	V1WR1UQ52-BG14	FRT Roof Header

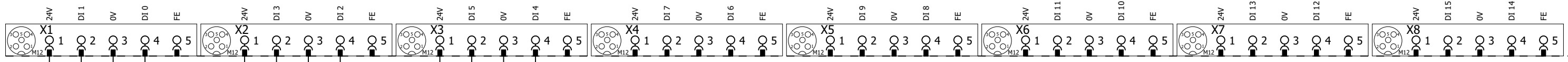


-KF2.13

FESTO
 CPX-M-AB-8-M12X2-5POL
 549335



I2054.0	DI ₀ x1:4	V1WR1UQ52-BG15	Reinf Sun Visor Mount
I2054.1	DI ₁ x1:2	V1WR1UQ52-BG16	Sun Visor Reinf LH
I2054.2	DI ₂ x2:4	V1WR1UQ52-BG17	Sun Visor Reinf RH
I2054.3	DI ₃ x2:2	V1WR1UQ52-BG18	FRT Roof Header
I2054.4	DI ₄ x3:4	V1WR1UQ52-BG19	FRT Roof Header
I2054.5	DI ₅ x3:2	I2054.5	Spare
I2054.6	DI ₆ x4:4	I2054.6	Spare
I2054.7	DI ₇ x4:2	I2054.7	Spare
I2055.0	DI ₈ x5:4	I2055.0	Spare
I2055.1	DI ₉ x5:2	I2055.1	Spare
I2055.2	DI ₁₀ x6:4	I2055.2	Spare
I2055.3	DI ₁₁ x6:2	I2055.3	Spare
I2055.4	DI ₁₂ x7:4	I2055.4	Spare
I2055.5	DI ₁₃ x7:2	I2055.5	Spare
I2055.6	DI ₁₄ x8:4	I2055.6	Spare
I2055.7	DI ₁₅ x8:2	I2055.7	Spare



-XG15/16
 =V1WR1UQ52BG0/3.4

-XG17/18
 =V1WR1UQ52BG0/3.6

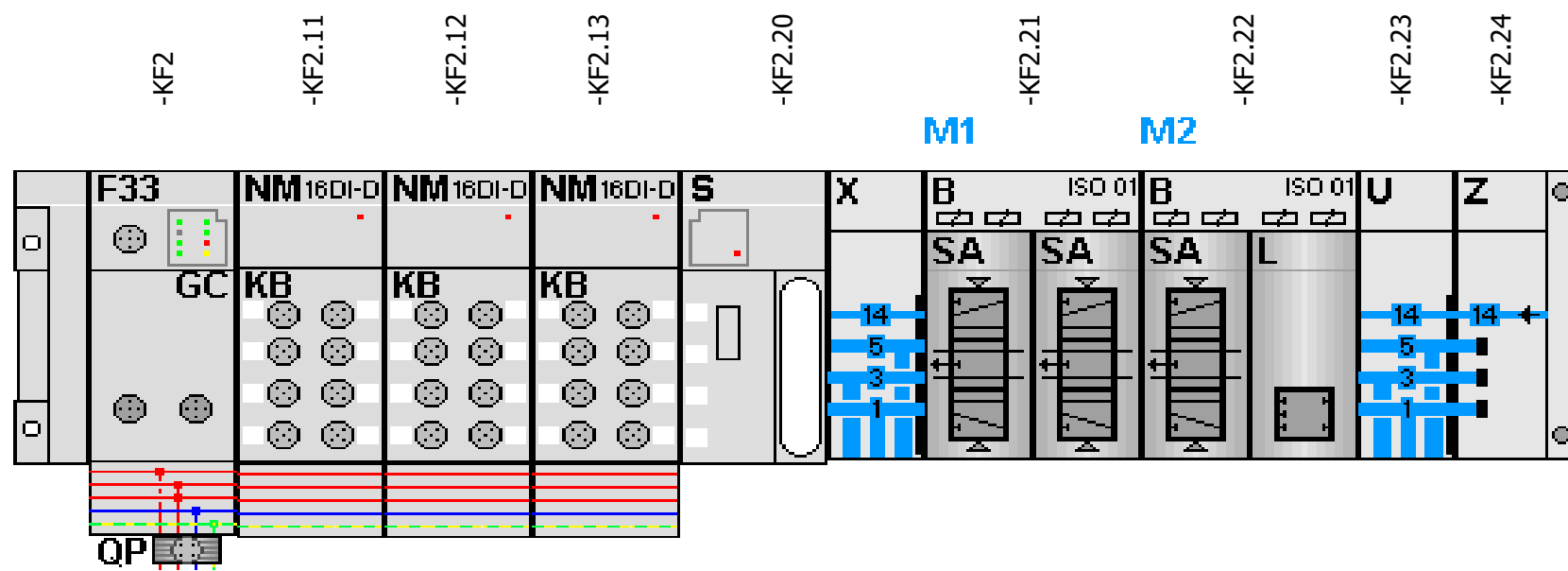
-XG19
 =V1WR1UQ52BG0/4.1

Date 1/17/2023
 Ed. MKLEPADLO

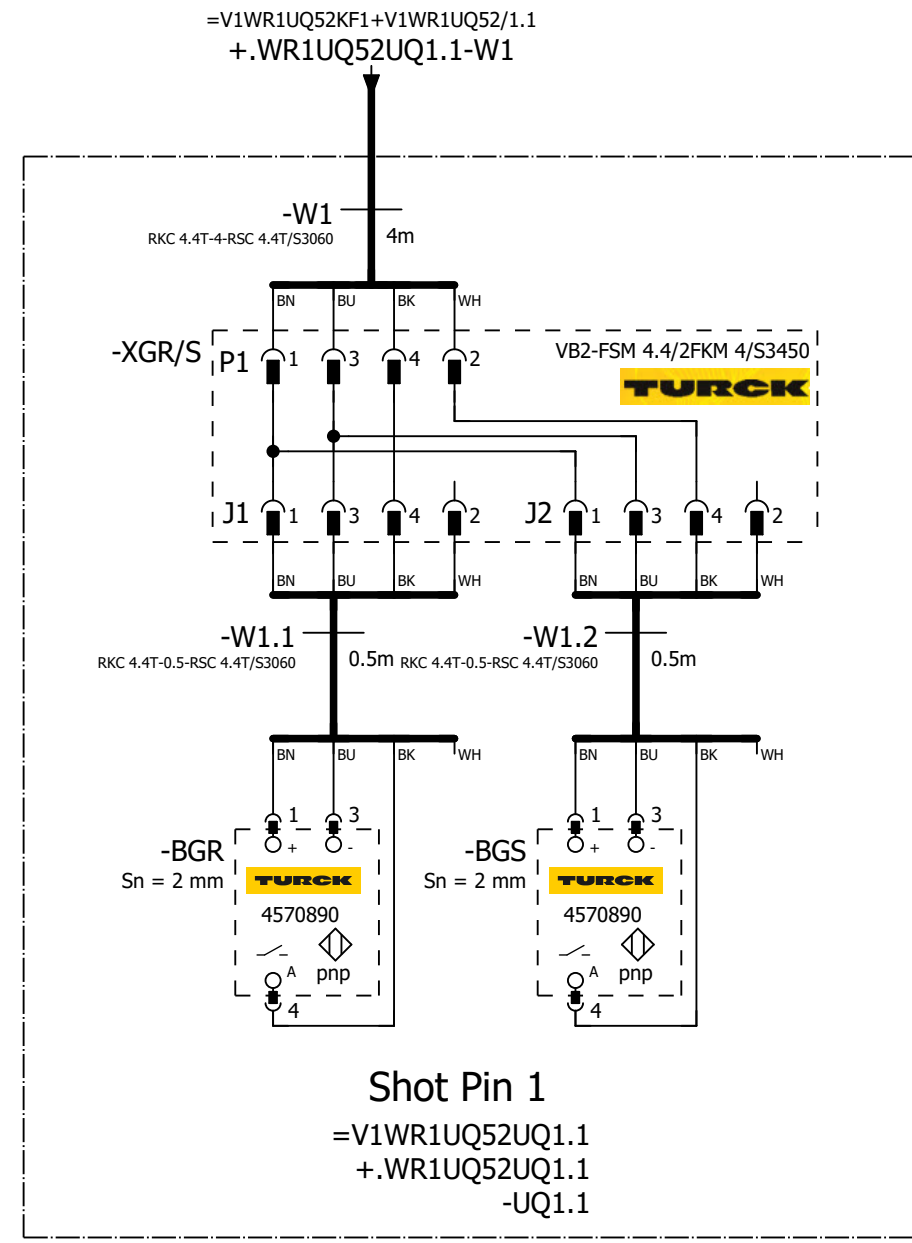
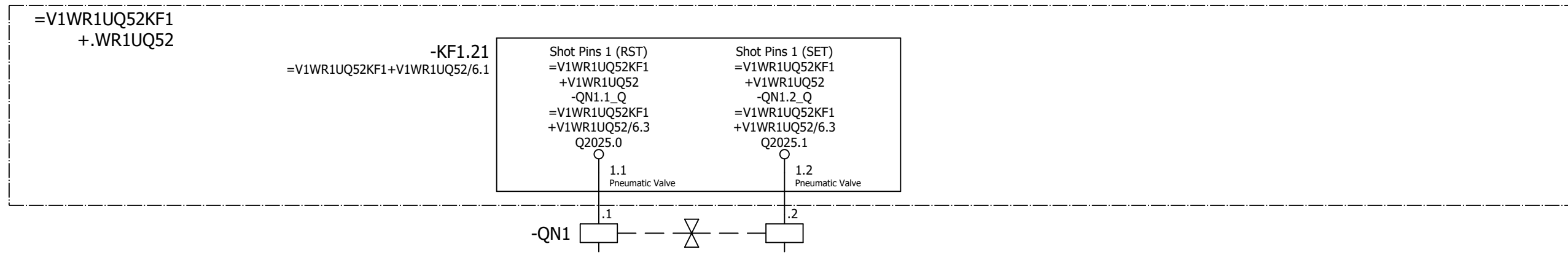
Volvo Trucks North America
 P6700 Roof Inr & Dr Ring LH - Cell 2V07



Valiant TMS

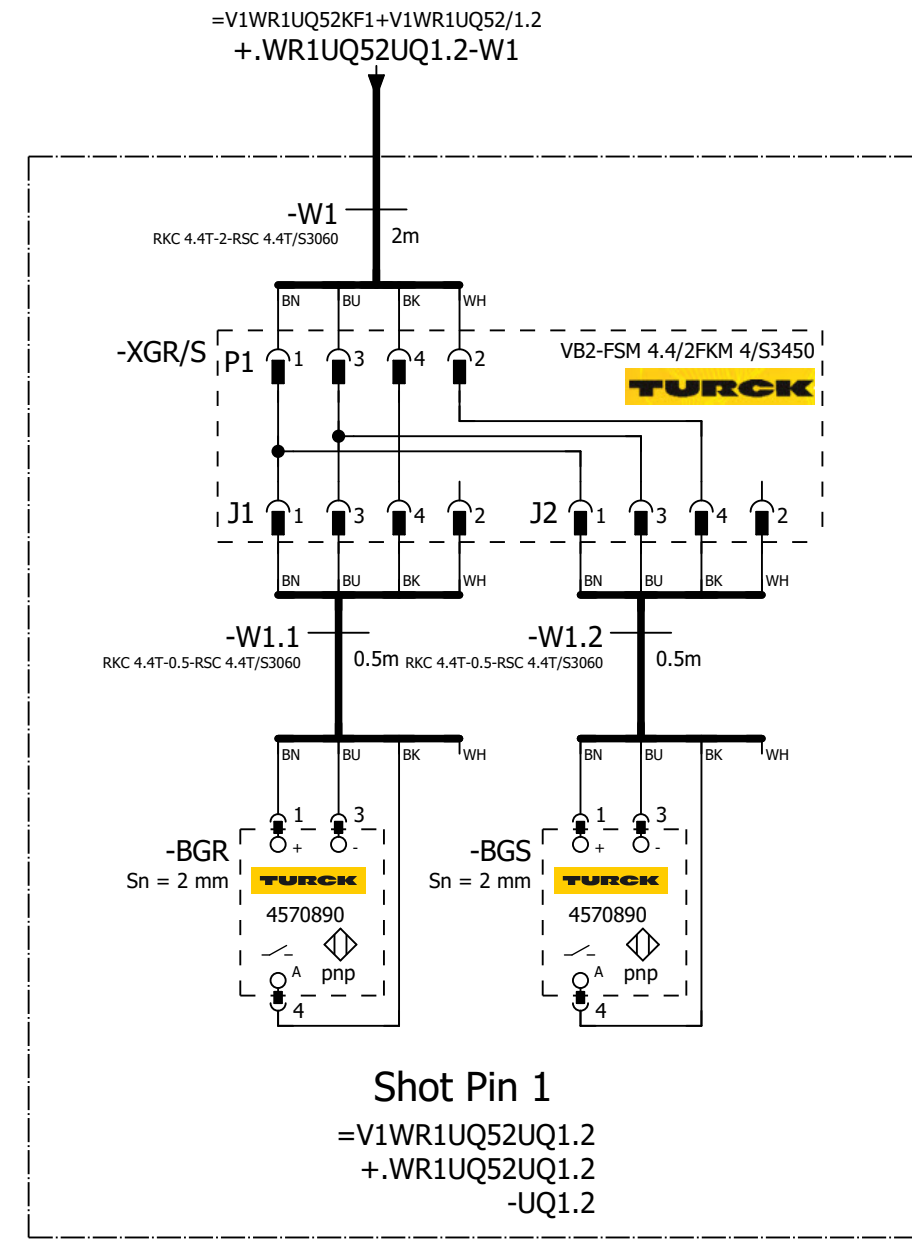


-KF2.21 =V1WR1UQ52UQ8+.WR1UQ52UQ8/1.3 =V1WR1UQ52UQ9+.WR1UQ52UQ9/1.3	FESTO	=V1WR1UQ52UQ8+.WR1UQ52UQ8/1.4	Q2050.0 $\text{DO}_{1.1}$	-QN9.1_Q	Clamps 4 (RST)
		=V1WR1UQ52UQ8+.WR1UQ52UQ8/1.4	Q2050.1 $\text{DO}_{1.2}$	-QN9.2_Q	Clamps 4 (SET)
		=V1WR1UQ52UQ9+.WR1UQ52UQ9/1.4	Q2050.2 $\text{DO}_{2.1}$	-QN10.1_Q	Clamps 5 (RST)
		=V1WR1UQ52UQ9+.WR1UQ52UQ9/1.4	Q2050.3 $\text{DO}_{3.2}$	-QN10.2_Q	Clamps 5 (SET)
-KF2.22 =V1WR1UQ52UQ10+.WR1UQ52UQ10/1.3	FESTO	=V1WR1UQ52UQ10+.WR1UQ52UQ10/1.4	Q2050.4 $\text{DO}_{1.1}$	-QN11.1_Q	Clamps 6 (RST)
		=V1WR1UQ52UQ10+.WR1UQ52UQ10/1.4	Q2050.5 $\text{DO}_{1.2}$	-QN11.2_Q	Clamps 6 (SET)
			Q2050.6 $\text{DO}_{2.1}$	-QN12.1_Q	Spare (SET)
			Q2050.7 $\text{DO}_{3.2}$	-QN12.1_Q	Spare (RST)



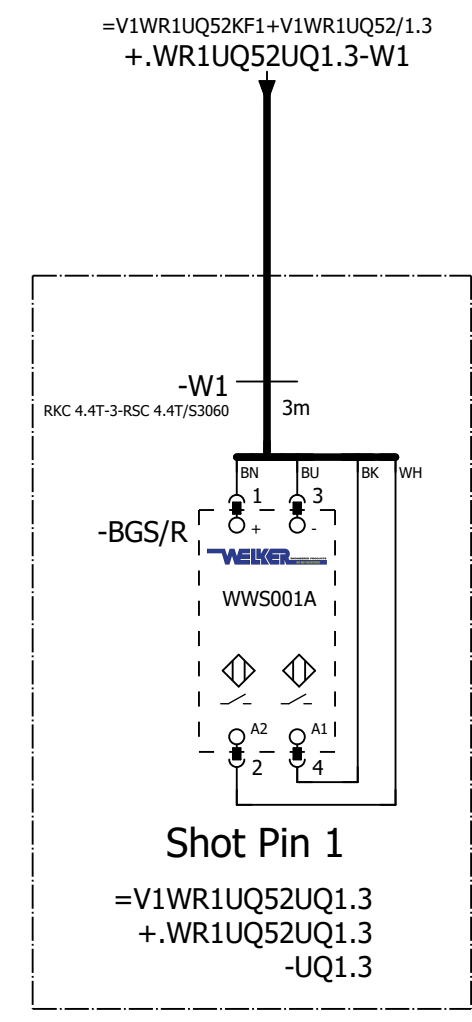
=V1WR1UQ52
-UQ1.1-BGR
Shot Pin 1

=V1WR1UQ52
-UQ1.1-BGS
Shot Pin 1

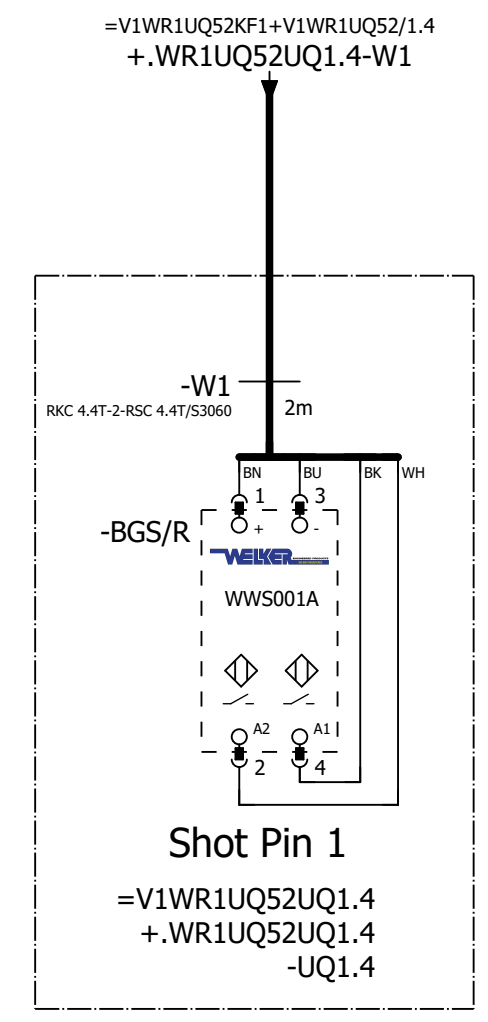


=V1WR1UQ52
-UQ1.2-BGR
Shot Pin 1

=V1WR1UQ52
-UQ1.2-BGS
Shot Pin 1



=V1WR1UQ52
-UQ1.3-BGS/R
Shot Pin 1

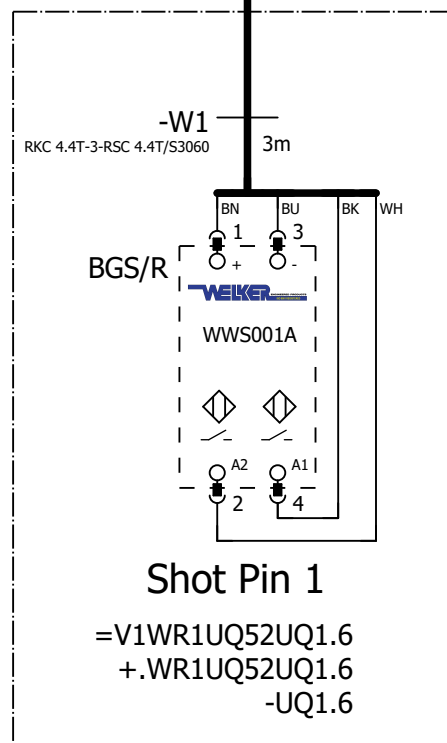
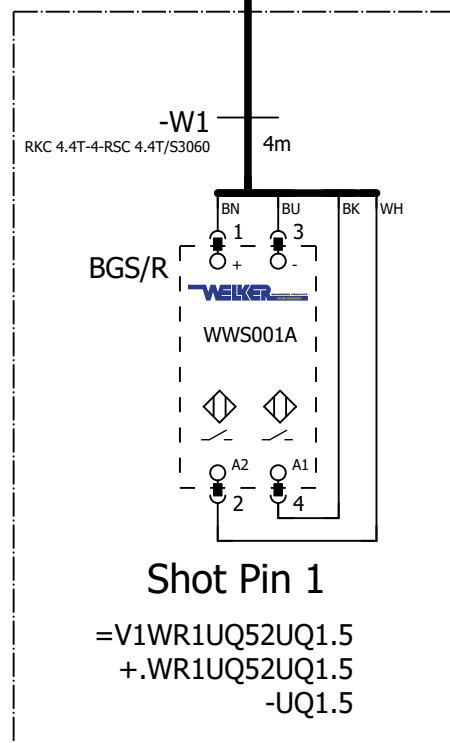


=V1WR1UQ52
-UQ1.4-BGS/R
Shot Pin 1

=V1WR1UQ52KF2+V1WR1UQ52/4

=V1WR1UQ52KF1+V1WR1UQ52/1.5
+.WR1UQ52UQ1.5-W1

=V1WR1UQ52KF1+V1WR1UQ52/1.6
+.WR1UQ52UQ1.6-W1



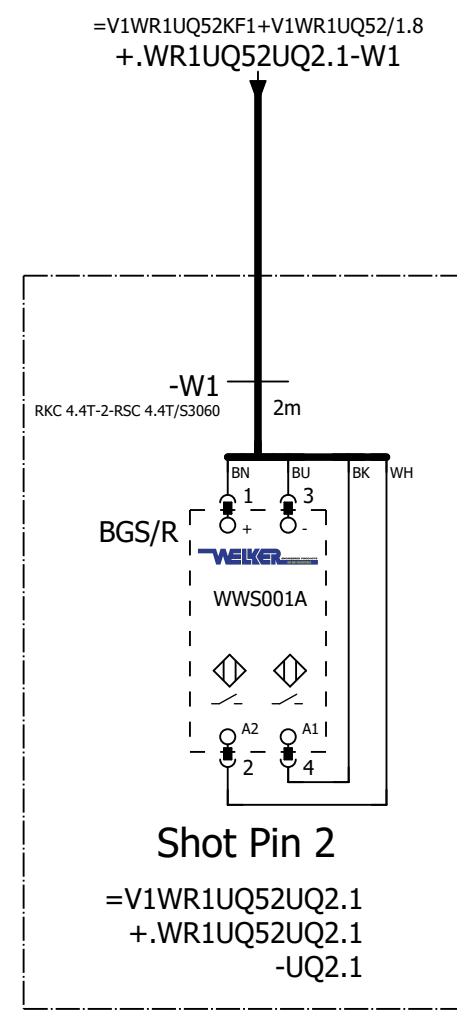
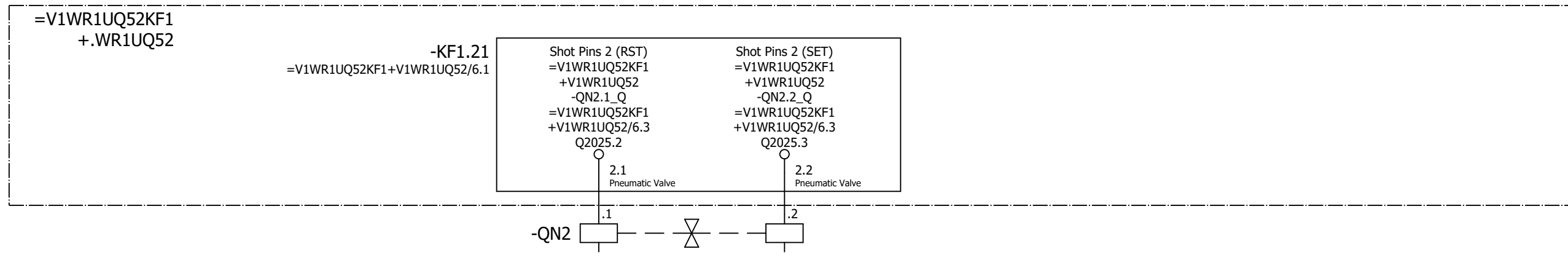
=V1WR1UQ52
-UQ1.5-BGS/R
Shot Pin 1

=V1WR1UQ52
-UQ1.6-BGS/R
Shot Pin 1

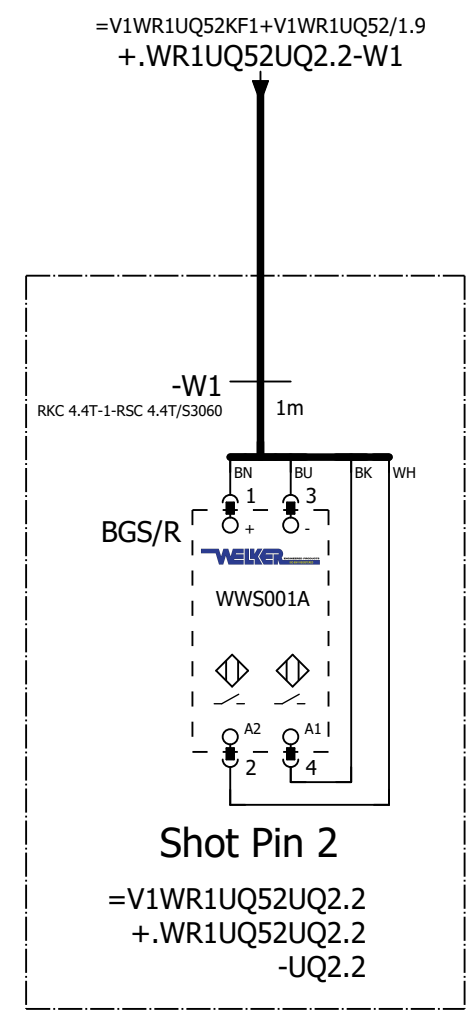
=V1WR1UQ52UQ2+.WR1UQ52UQ02/1

1

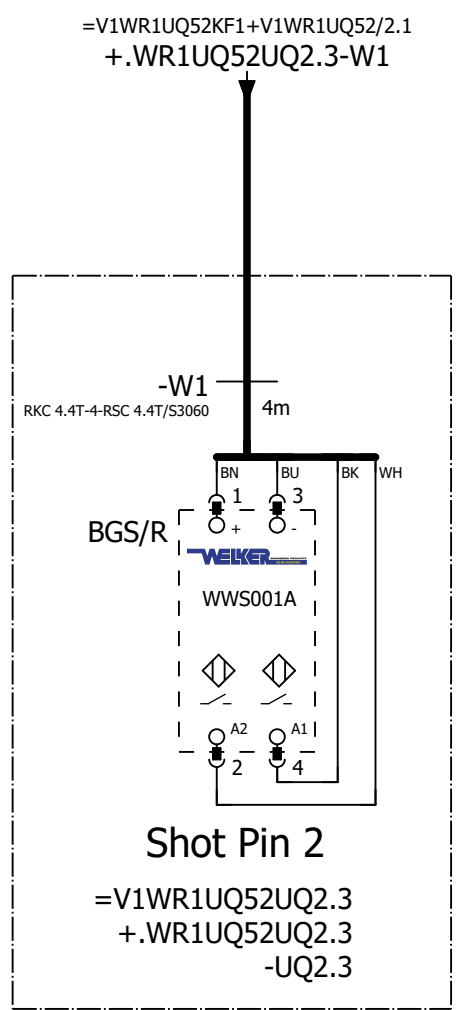
Date		1/17/2023		Volvo Trucks North America		Valiant TMS		FESTO DQ CONNECTION QN1		Drawing name: =2V07&EFS-EL		= V1WR1UQ52UQ1 + V1WR1UQ52UQ01	
Ed.		MKLEPADLO		P6700 Roof Inr & Dr Ring LH - Cell 2V07		Scale 1:1				Document type: EFS		Project nr: 22-16144	
Appr				Replacement of		Replaced by				Page		2	
Modification		Date		Name		Original				Page		509	



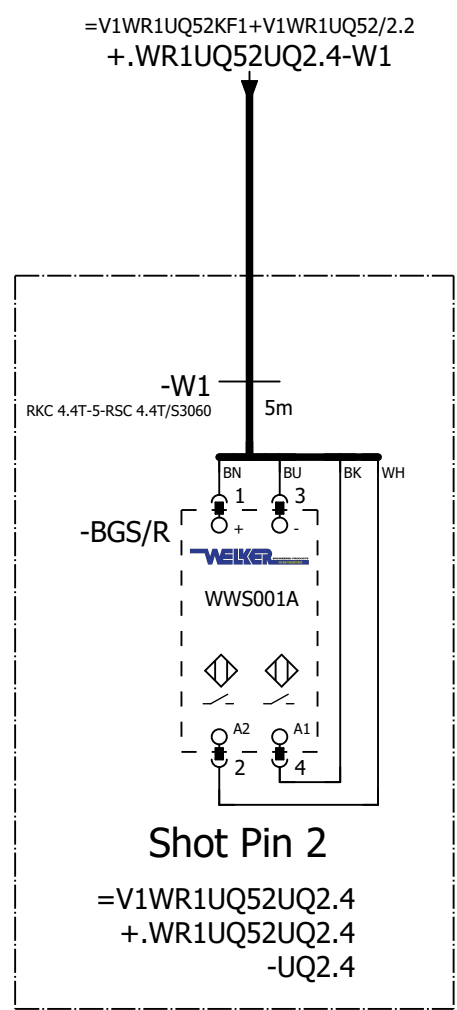
=V1WR1UQ52
-UQ2.1-BGS/R
Shot Pin 2



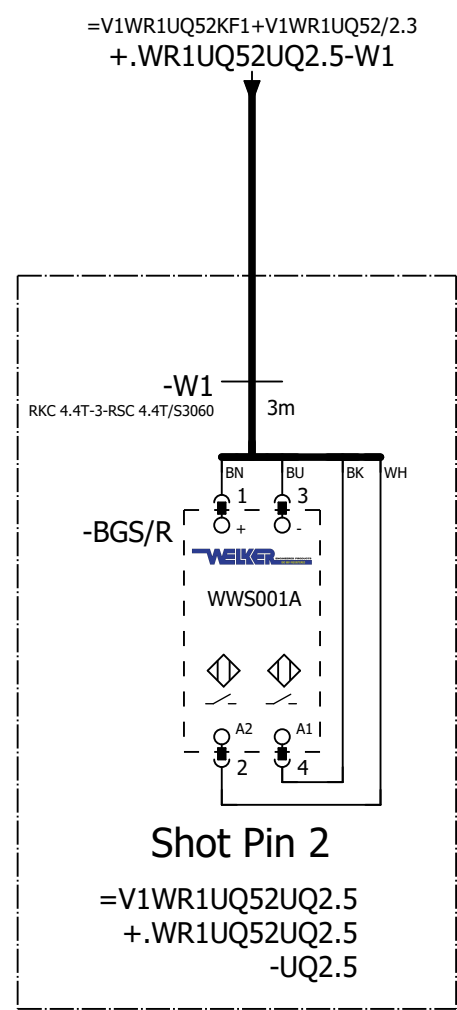
=V1WR1UQ52
-UQ2.2-BGS/R
Shot Pin 2



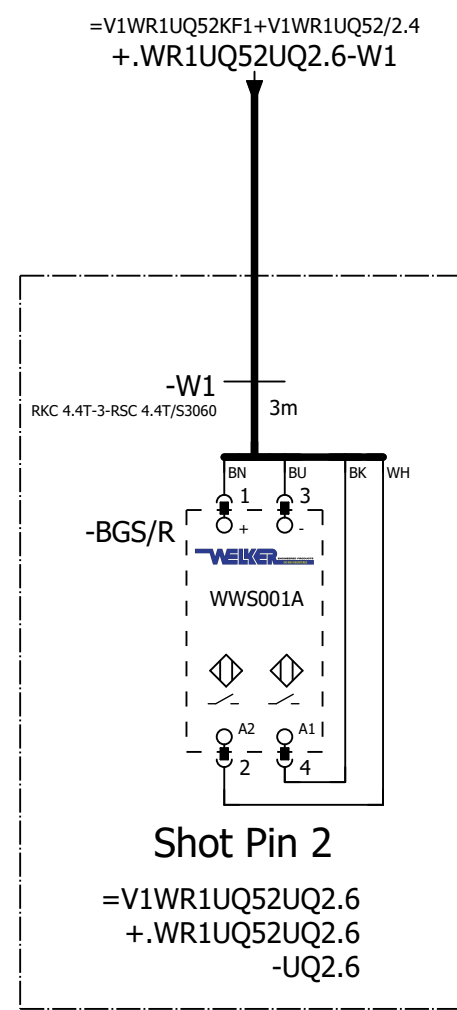
=V1WR1UQ52
-UQ2.3-BGS/R
Shot Pin 2



=V1WR1UQ52
-UQ2.4-BGS/R
Shot Pin 2



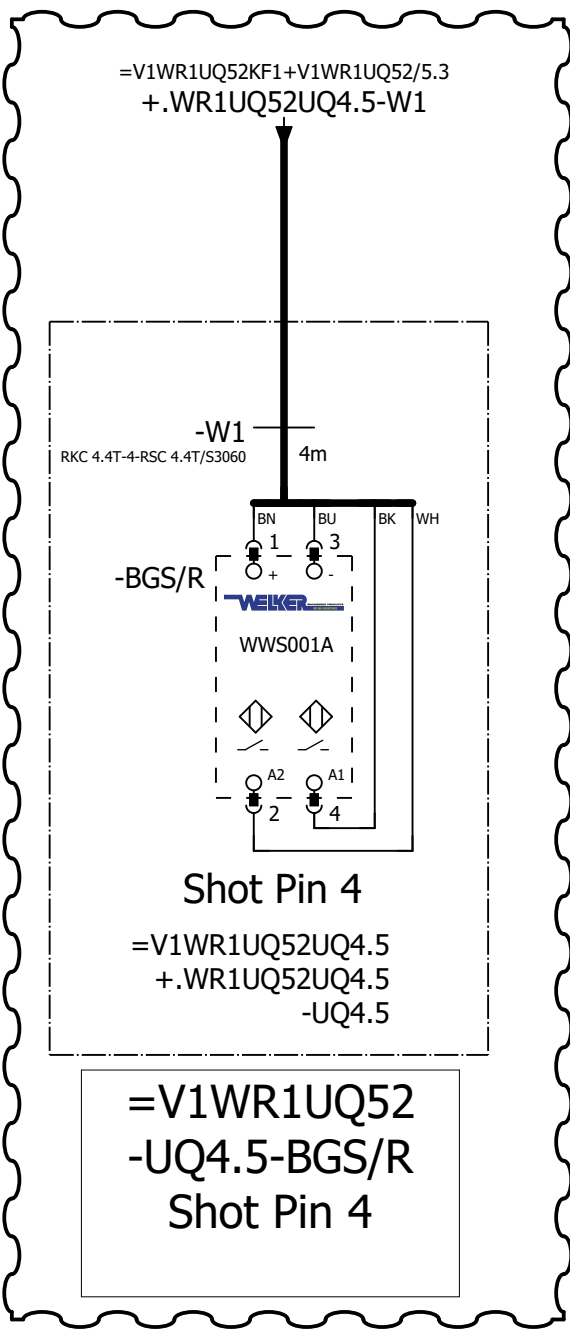
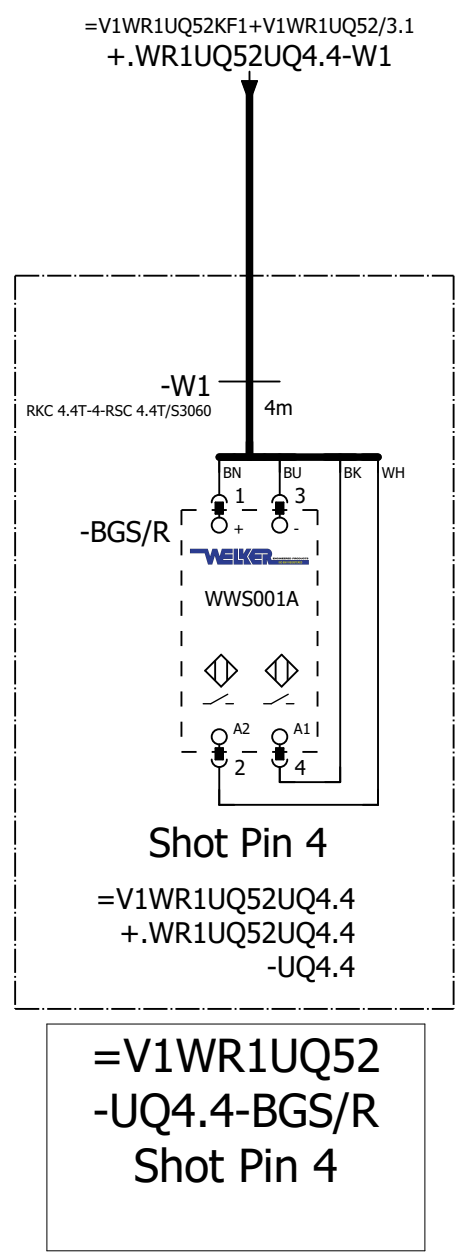
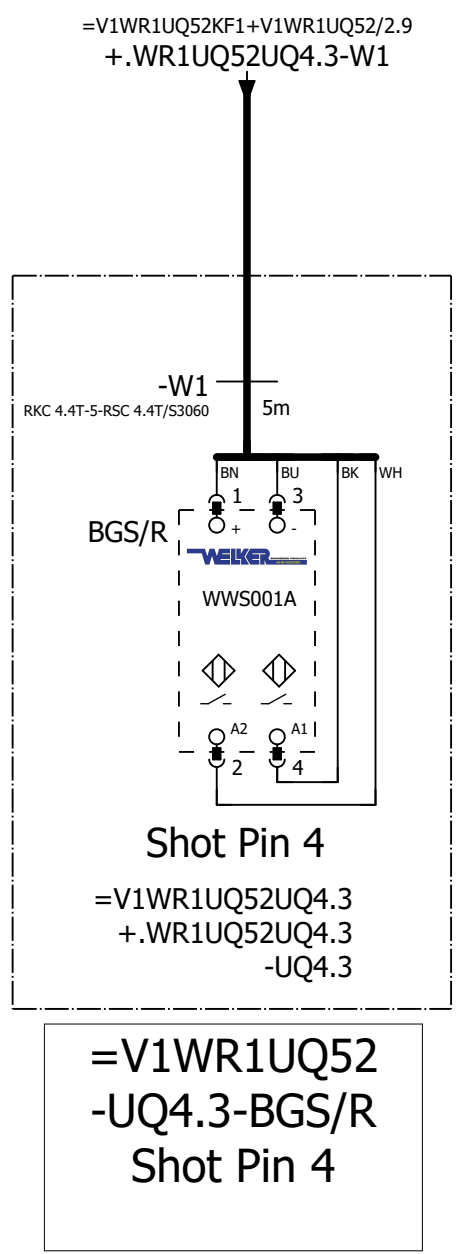
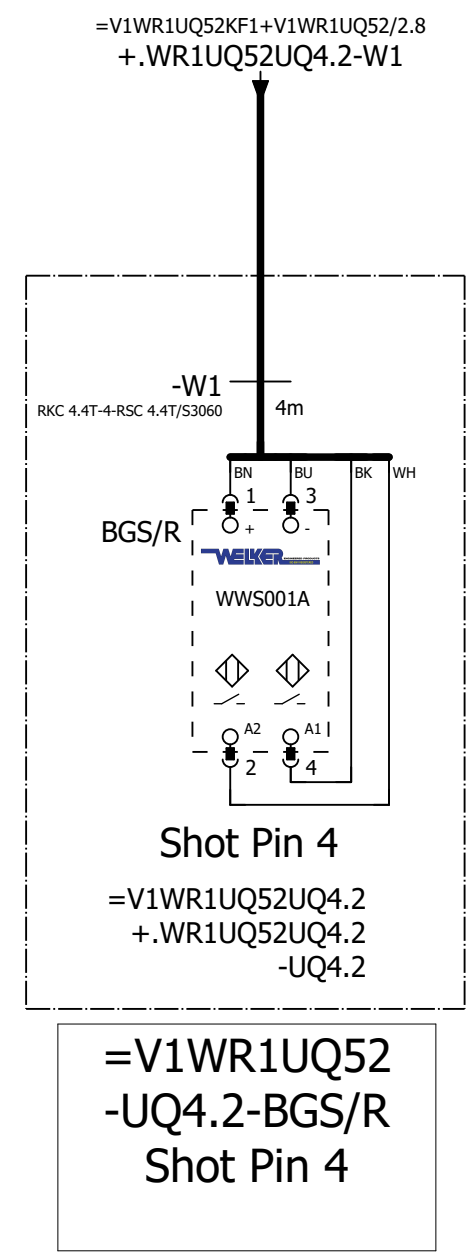
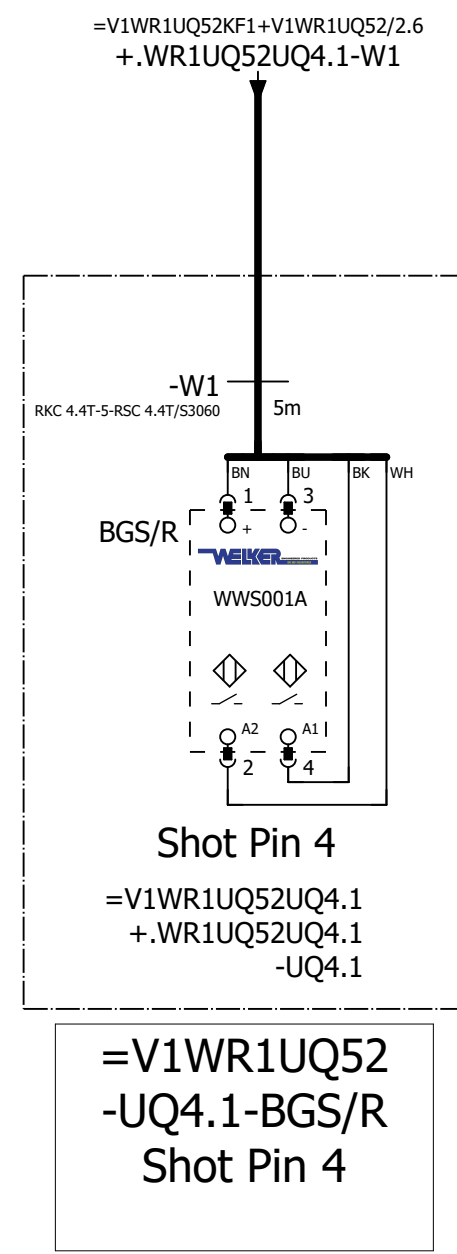
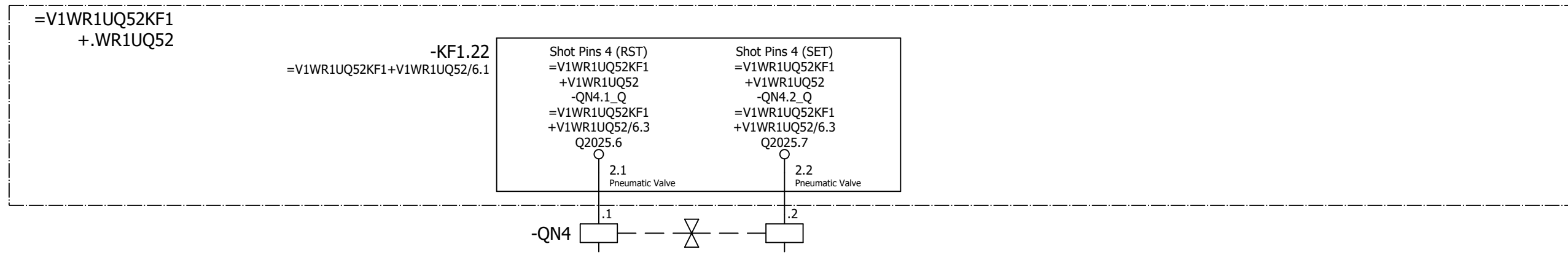
=V1WR1UQ52
-UQ2.5-BGS/R
Shot Pin 2



=V1WR1UQ52
-UQ2.6-BGS/R
Shot Pin 2

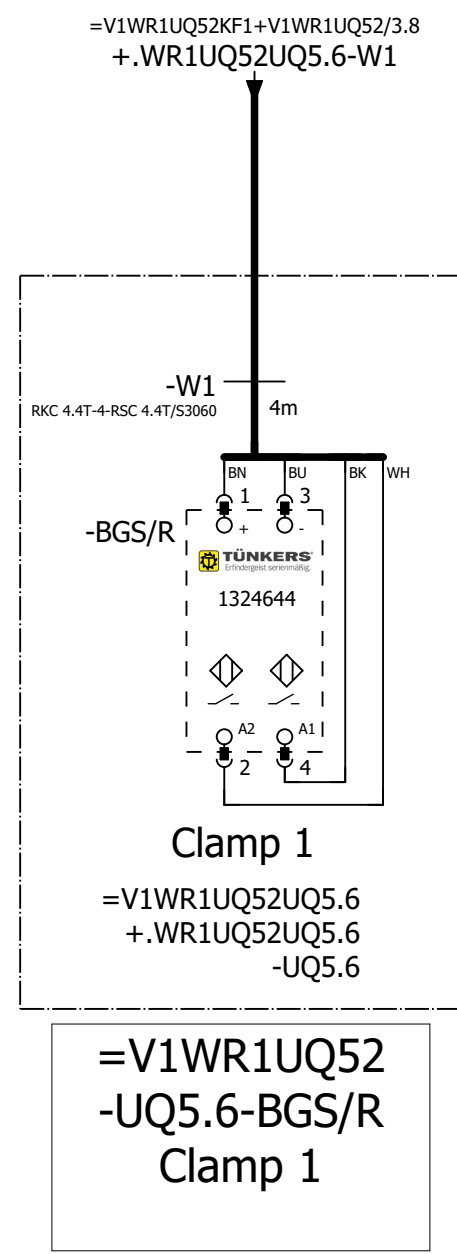
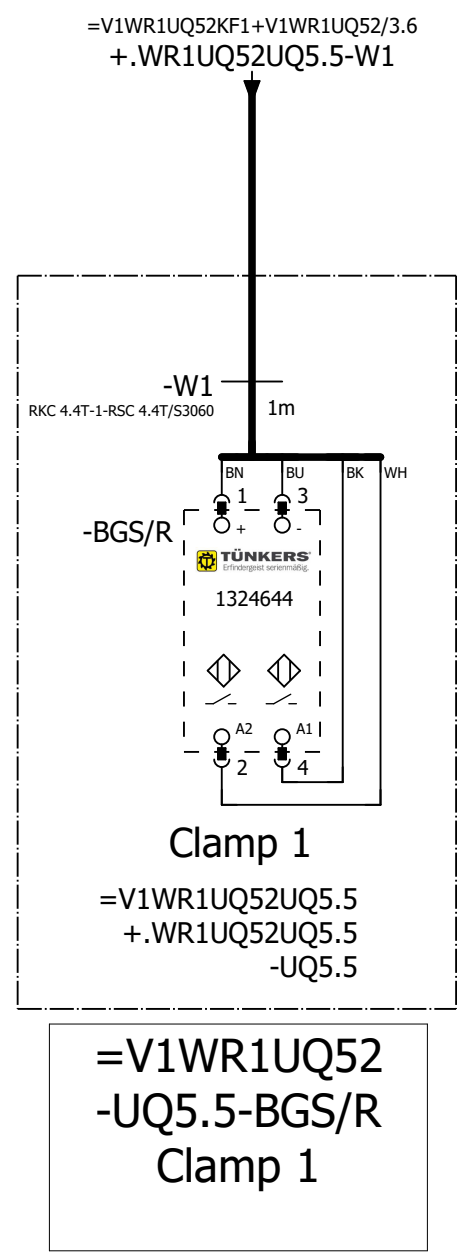
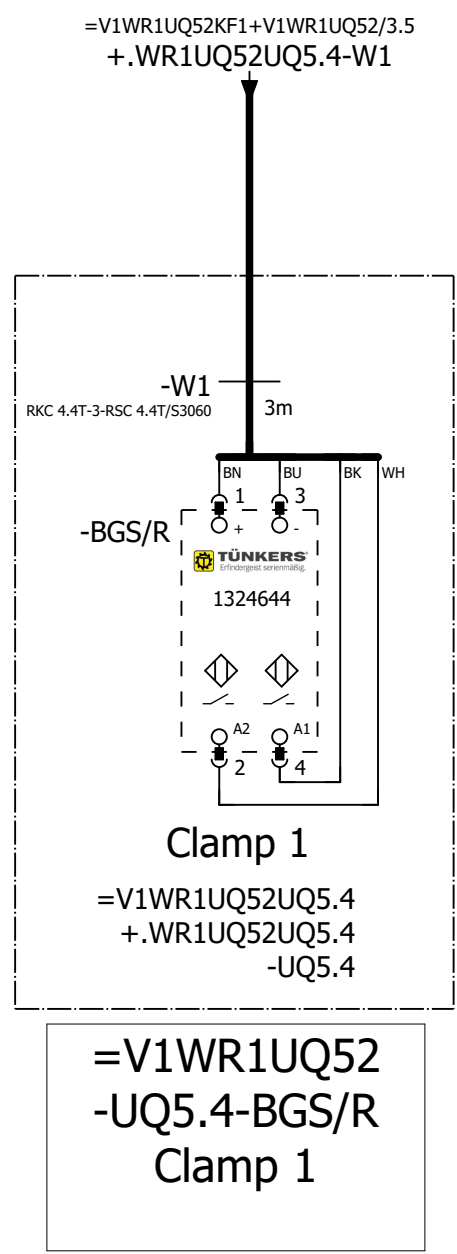
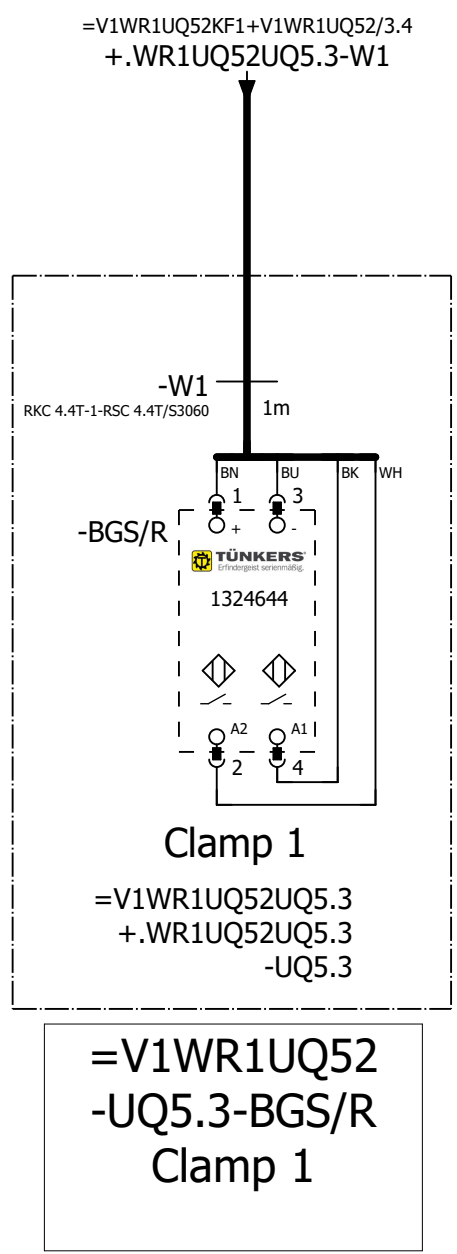
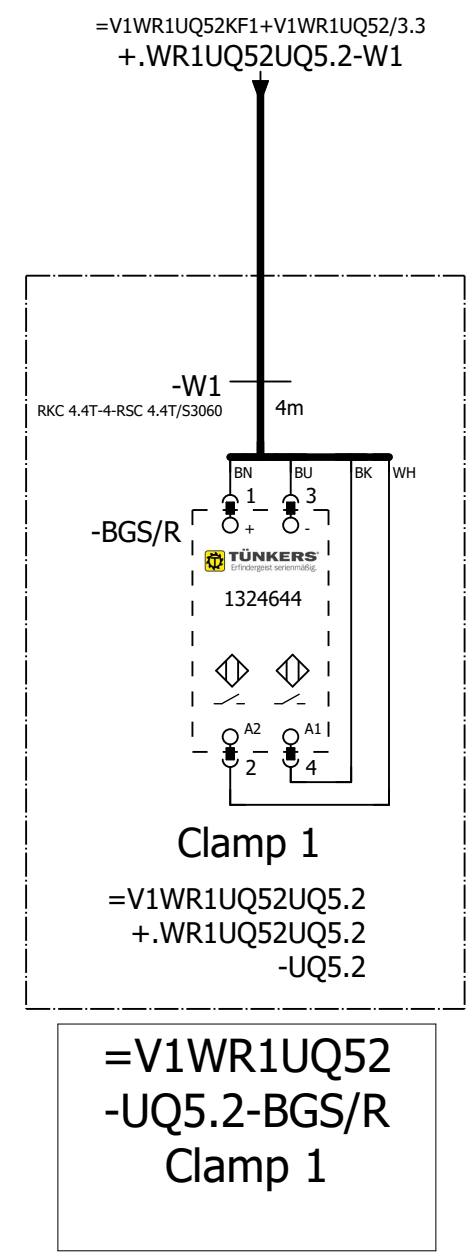
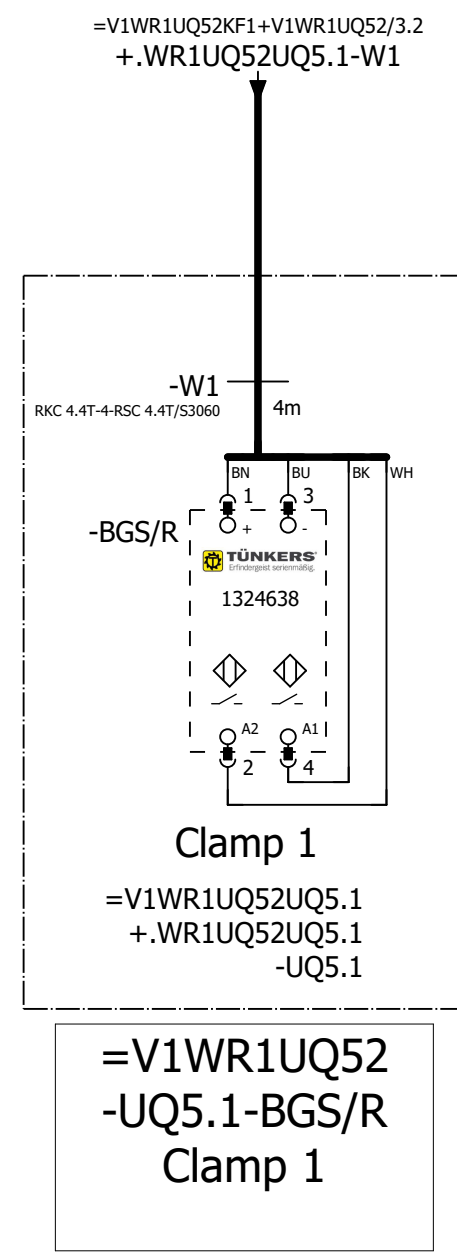
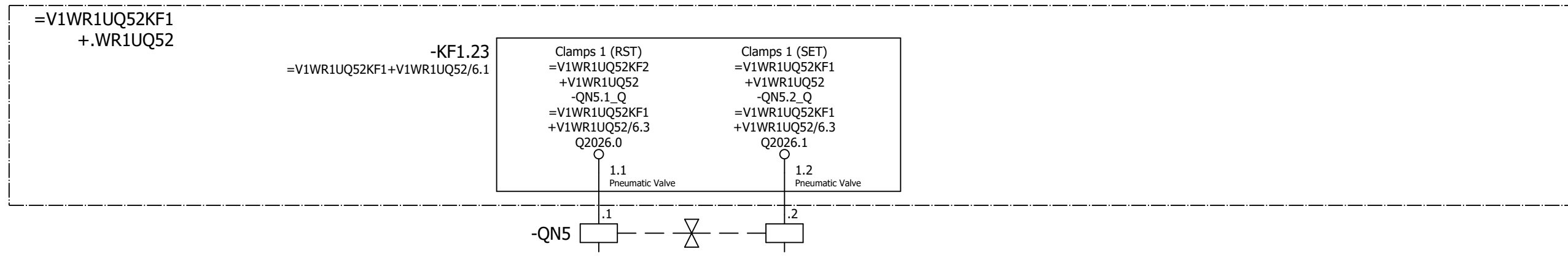
=V1WR1UQ52UQ1+.WR1UQ52UQ01/2

=V1WR1UQ52UQ3+.WR1UQ52UQ03/1



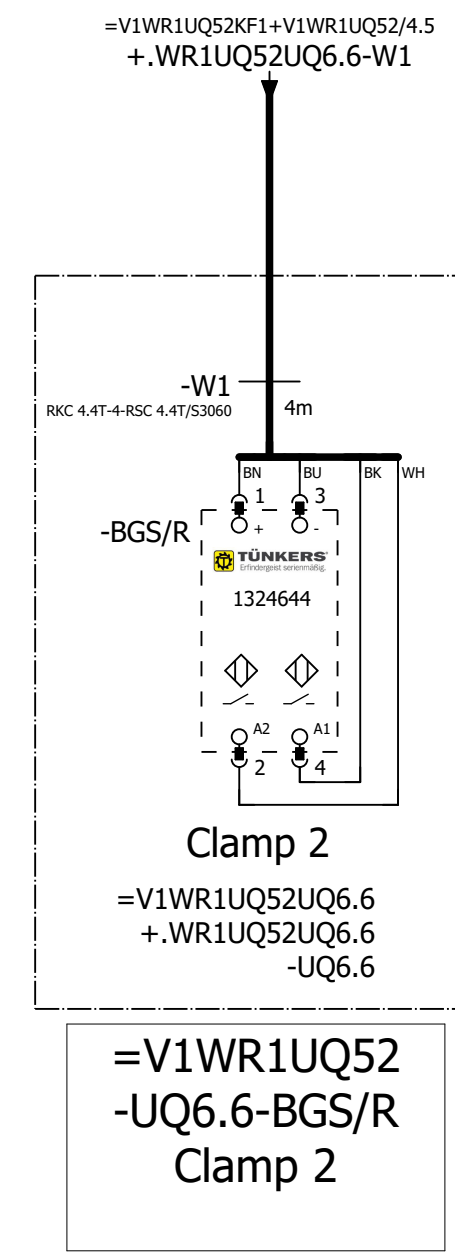
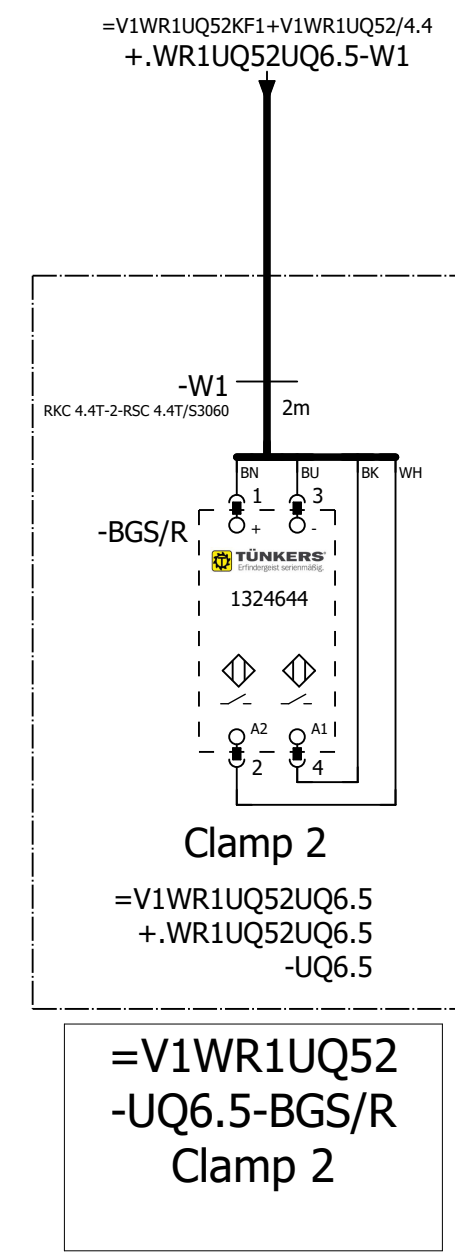
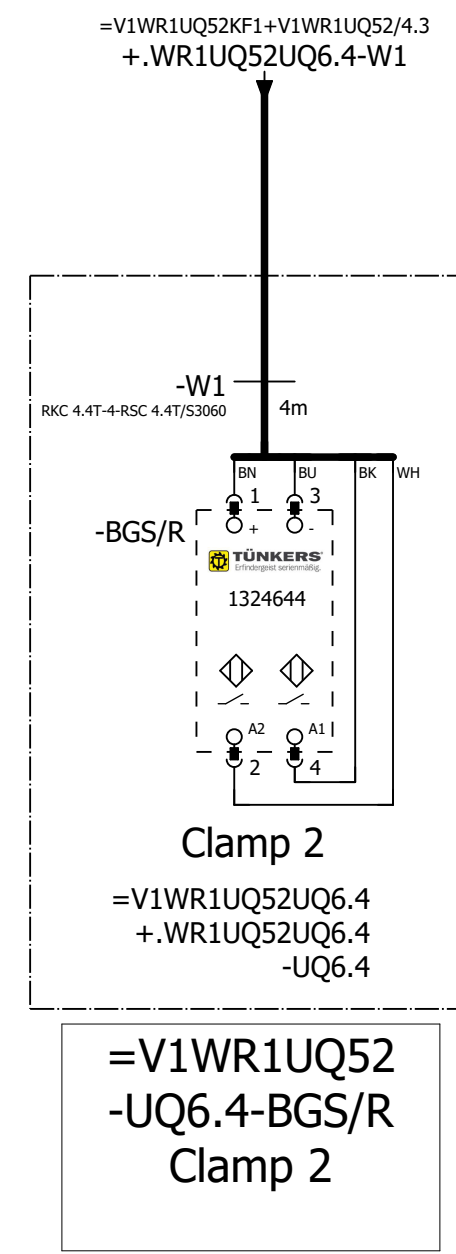
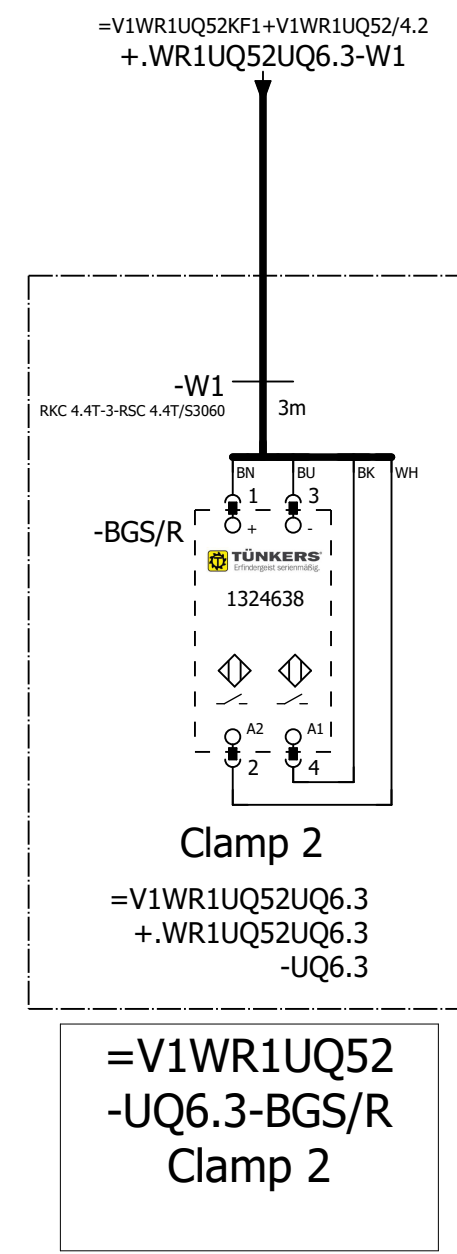
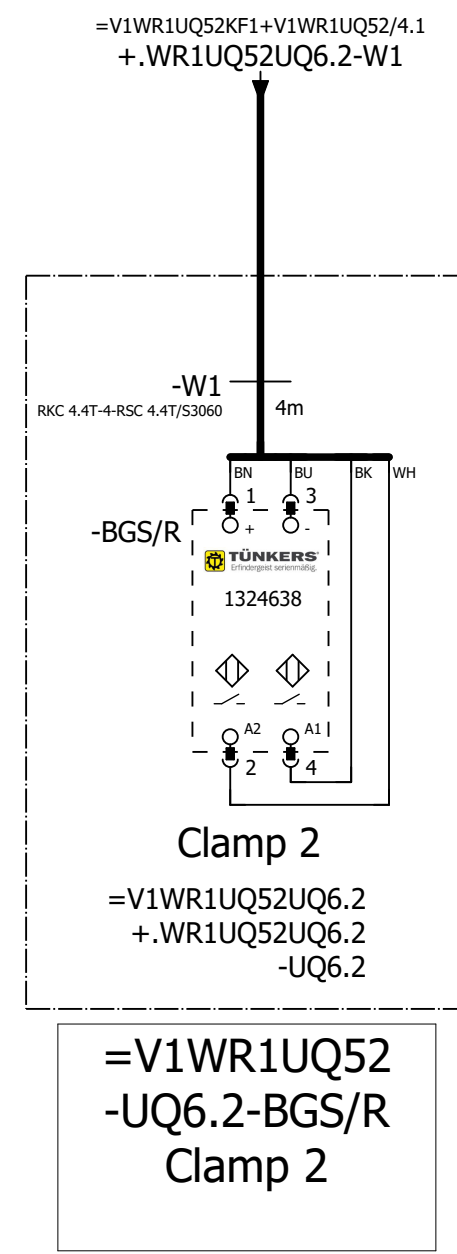
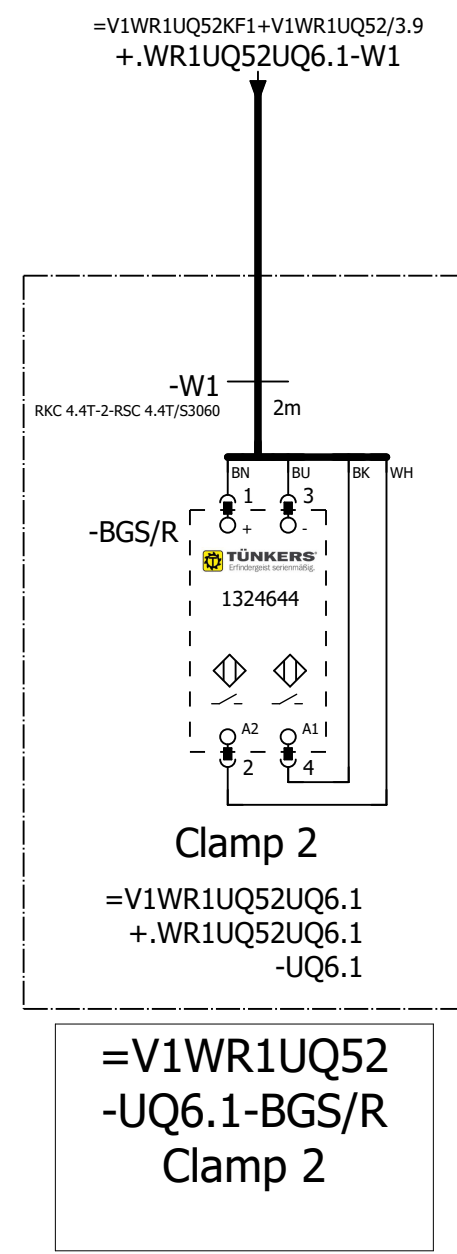
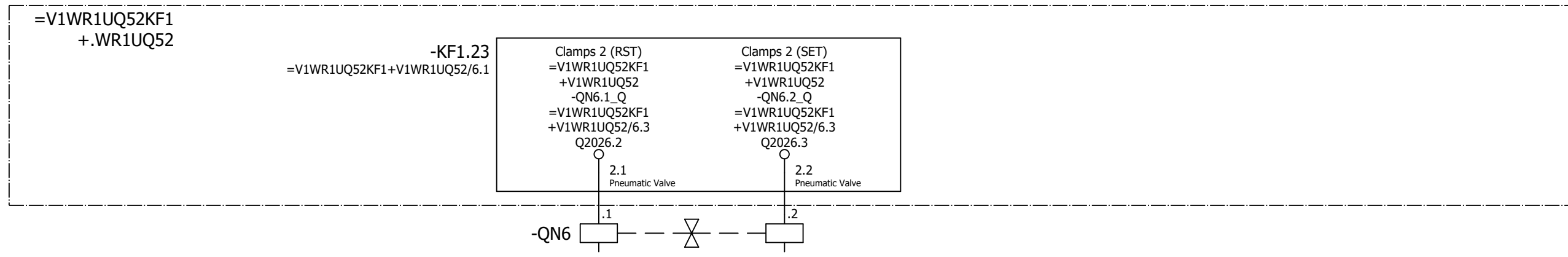
=V1WR1UQ52UQ3+.WR1UQ52UQ03/1

=V1WR1UQ52UQ5+.WR1UQ52UQ05/1



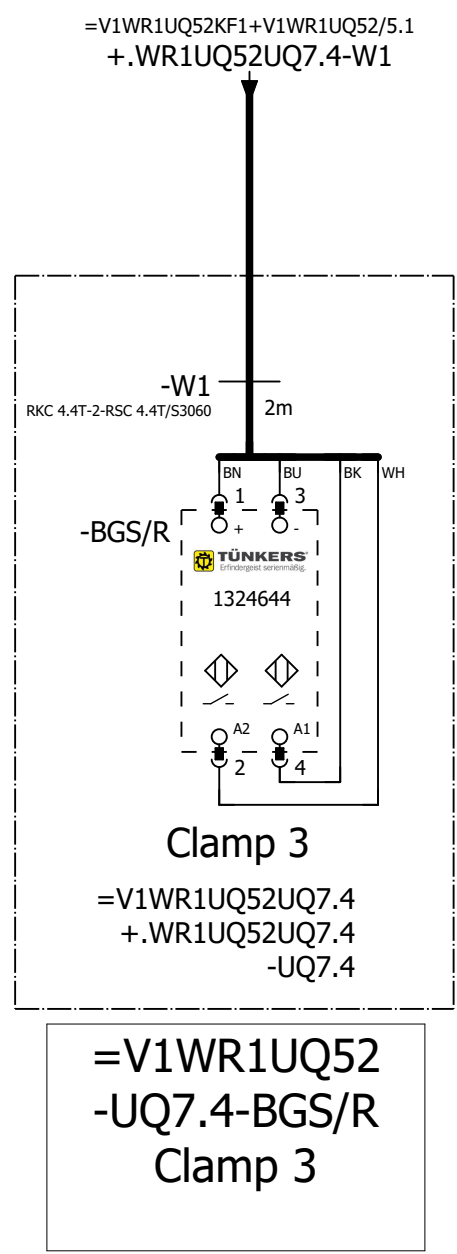
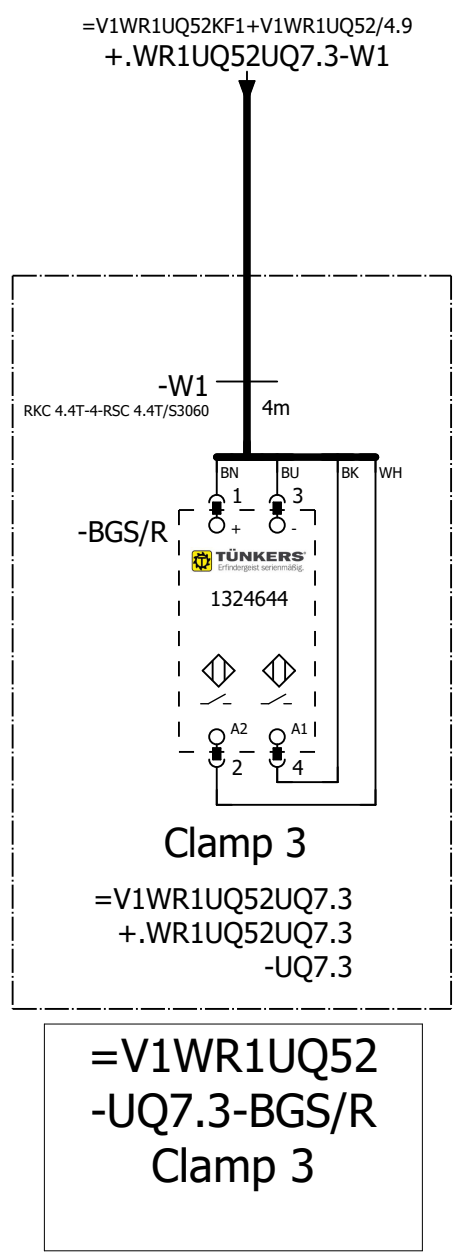
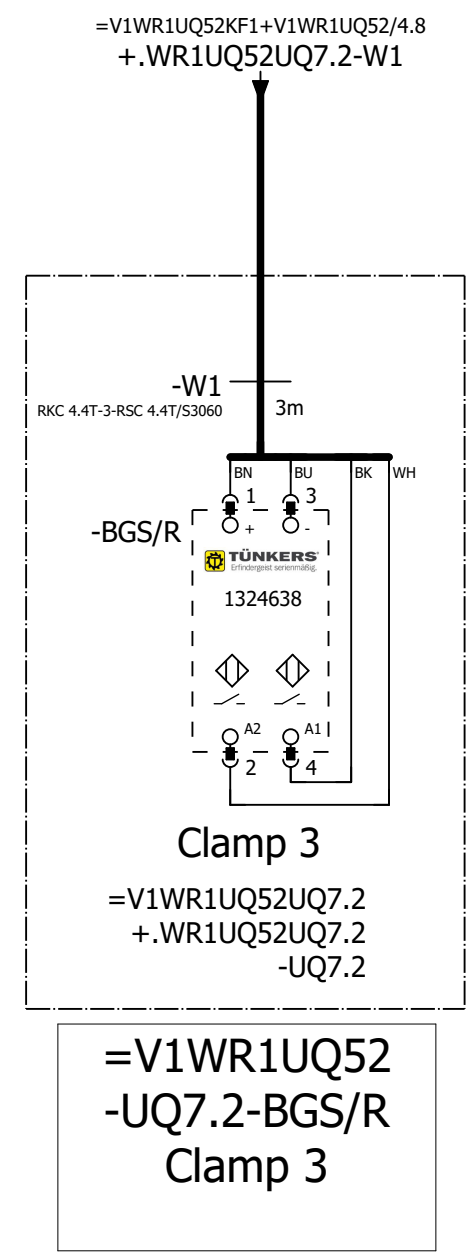
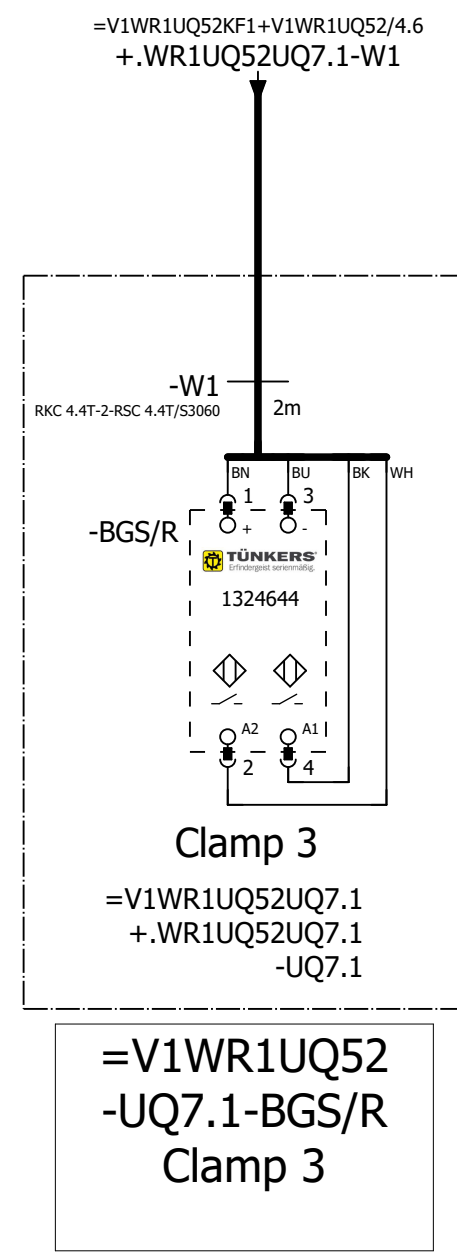
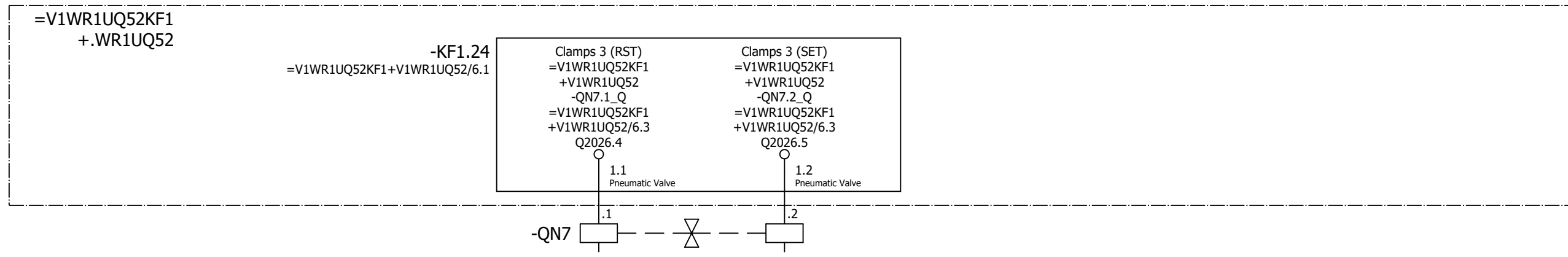
=V1WR1UQ52UQ4+.WR1UQ52UQ04/1

=V1WR1UQ52UQ6+.WR1UQ52UQ06/1



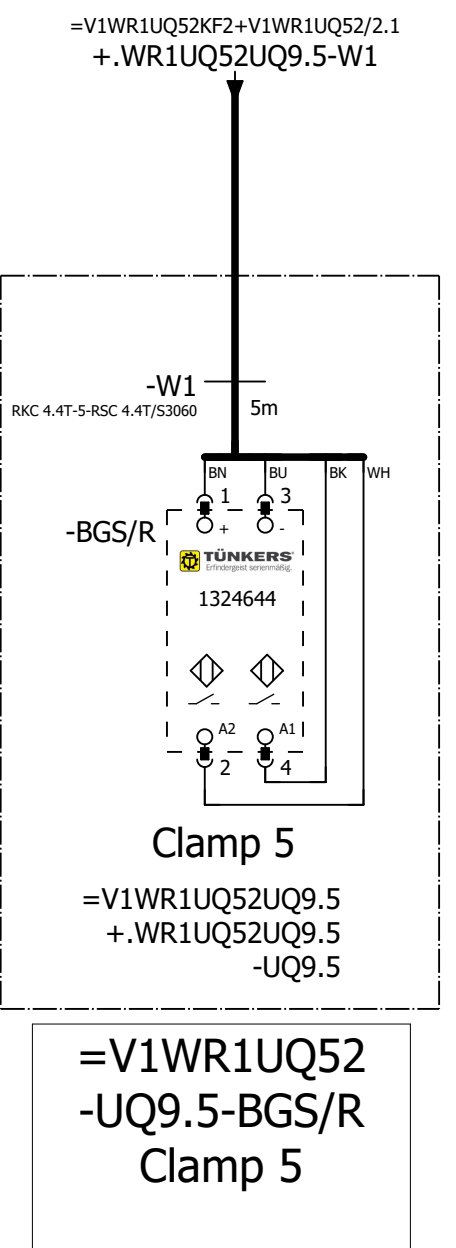
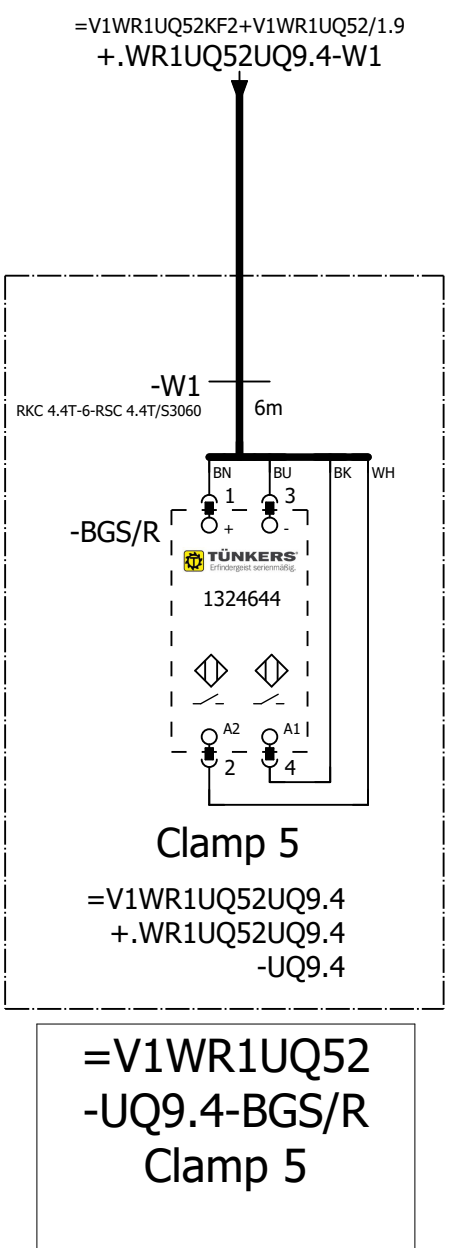
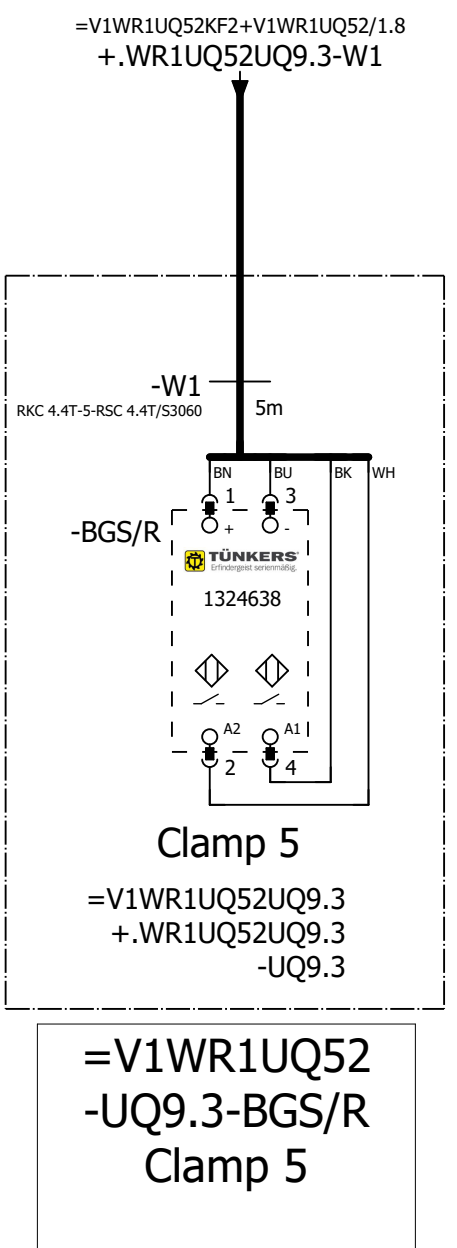
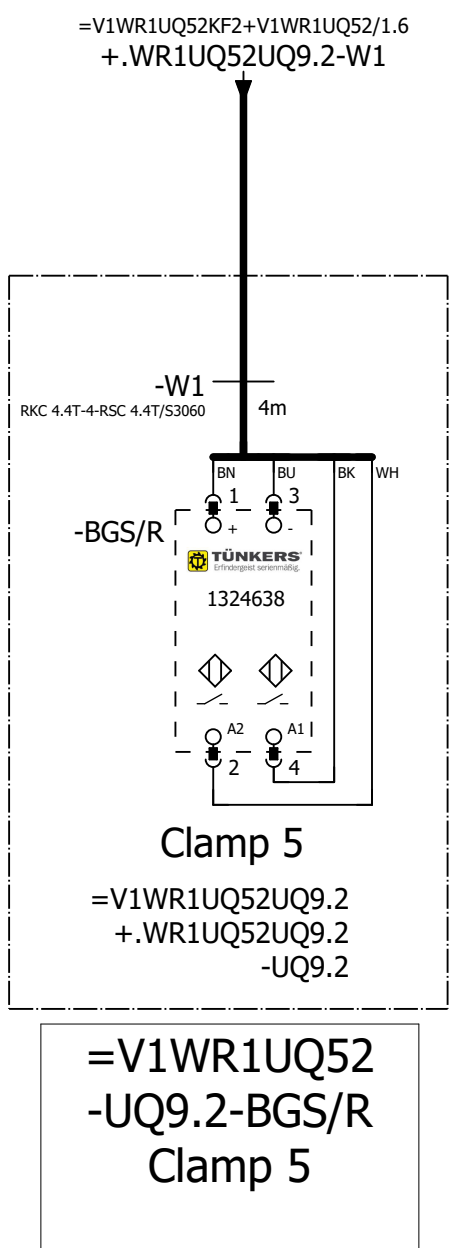
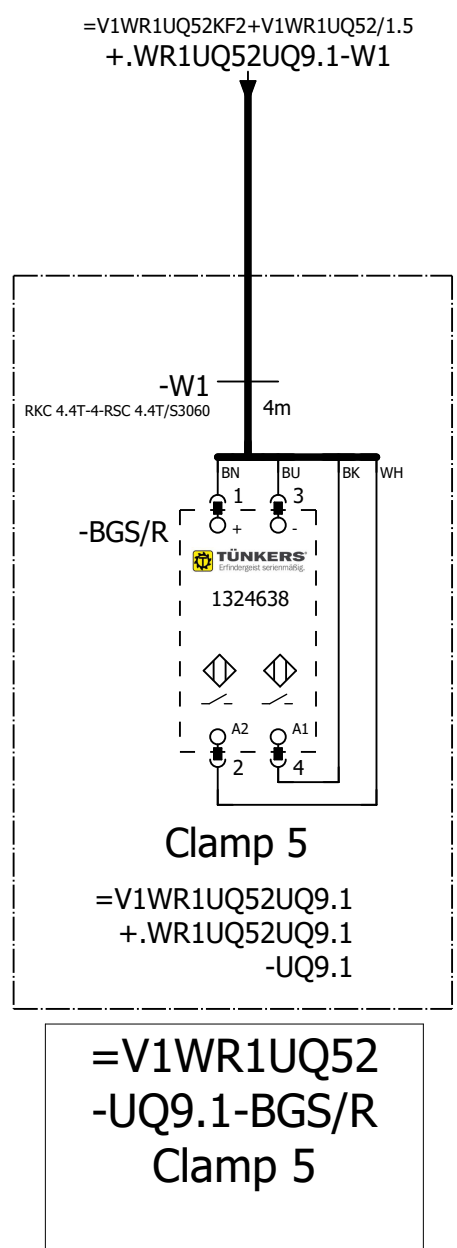
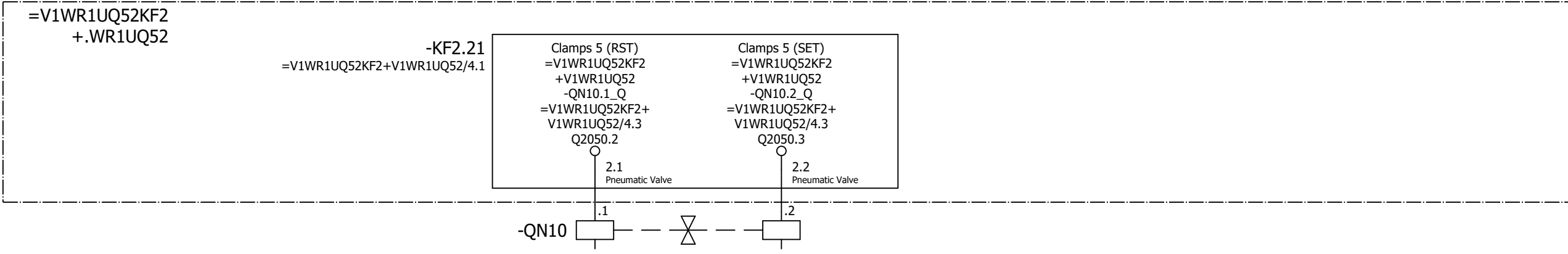
=V1WR1UQ52UQ5+.WR1UQ52UQ05/1

=V1WR1UQ52UQ7+.WR1UQ52UQ07/1



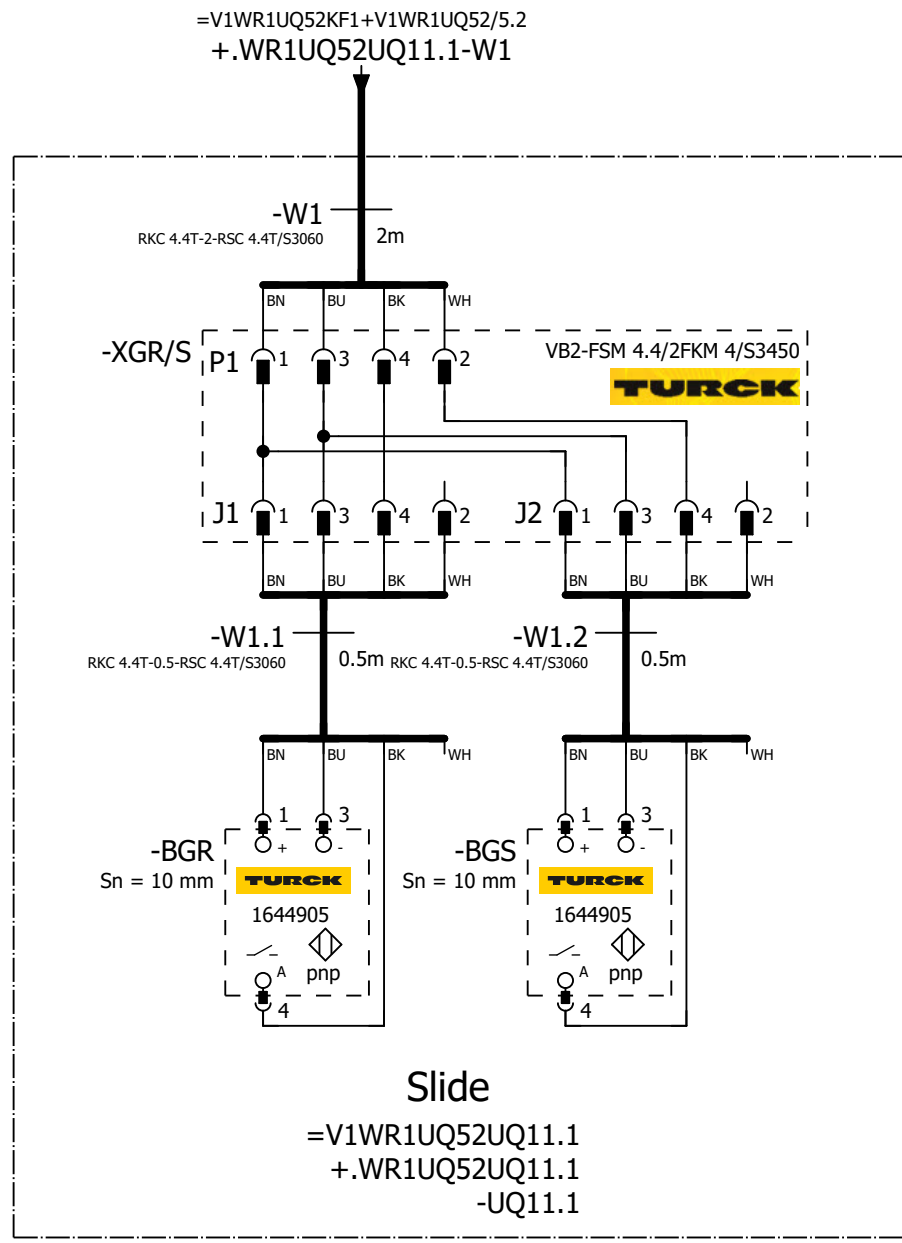
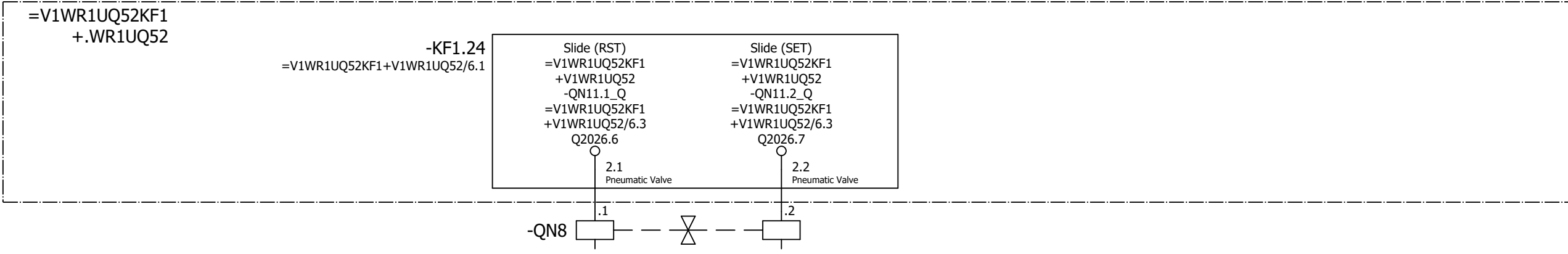
=V1WR1UQ52UQ6+.WR1UQ52UQ06/1

=V1WR1UQ52UQ8+.WR1UQ52UQ8/1



=V1WR1UQ52UQ8+.WR1UQ52UQ8/1

=V1WR1UQ52UQ10+.WR1UQ52UQ10/1



=V1WR1UQ52
-UQ11.1-BGR
Slide

=V1WR1UQ52
-UQ11.1-BGS
Slide


=V1WR1UQ52UQ10+.WR1UQ52UQ10/1

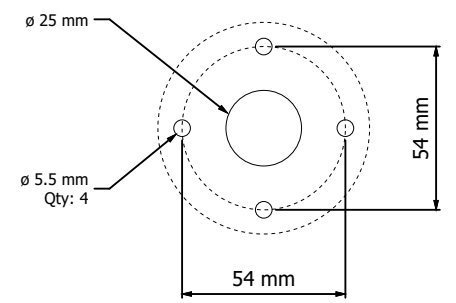
=V1WR1UQ52WC4+V1WR1UQ52/1

-UC31
/2.3

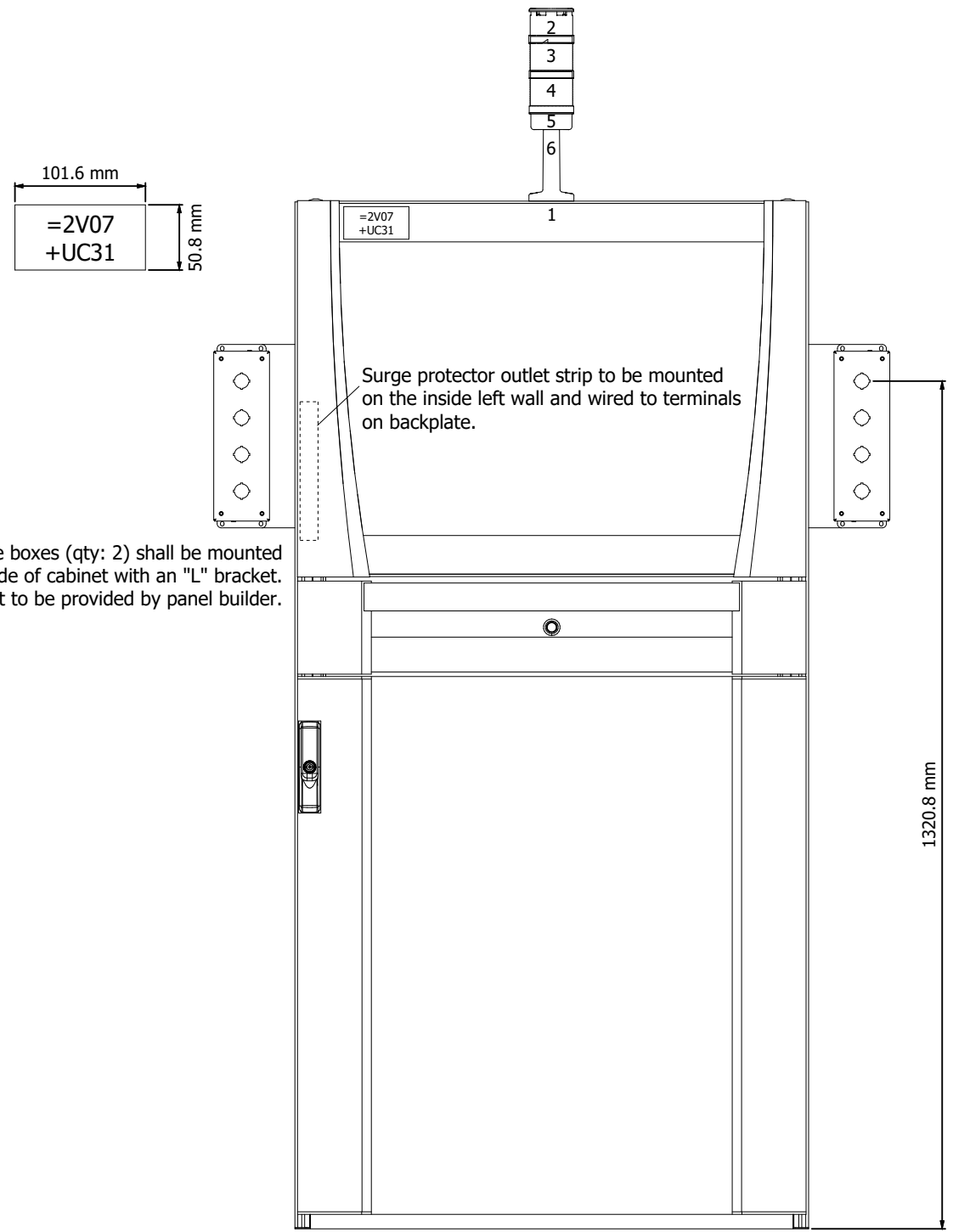


&EFS=V1WR1WC1+V1WR1UC01/1

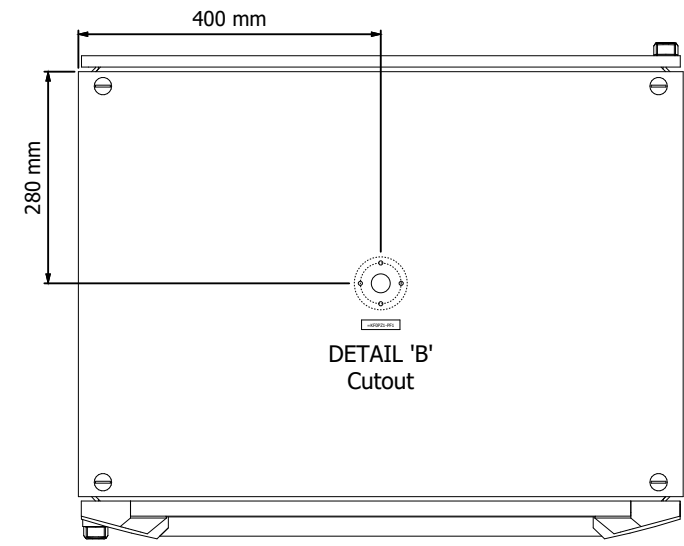
		Date	1/17/2023	Volvo Trucks North America		Valiant TMS	Layout UC31 MOP	Drawing name: =2V07&EFS-EL		= KF0
		Ed.	MKLEPADLO	P6700 Roof Inr & Dr Ring LH - Cell 2V07					Document type: ELU	
Modification	Date	Name	Original	Replacement of	Replaced by	Scale 1:1		Project nr: 22-16144		Page 1
										509



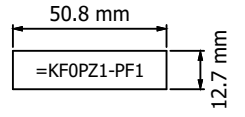
DETAIL 'B'
ABB Stack light
K70 series



Enclosure boxes (qty: 2) shall be mounted to the side of cabinet with an "L" bracket.
* Mounting bracket to be provided by panel builder.

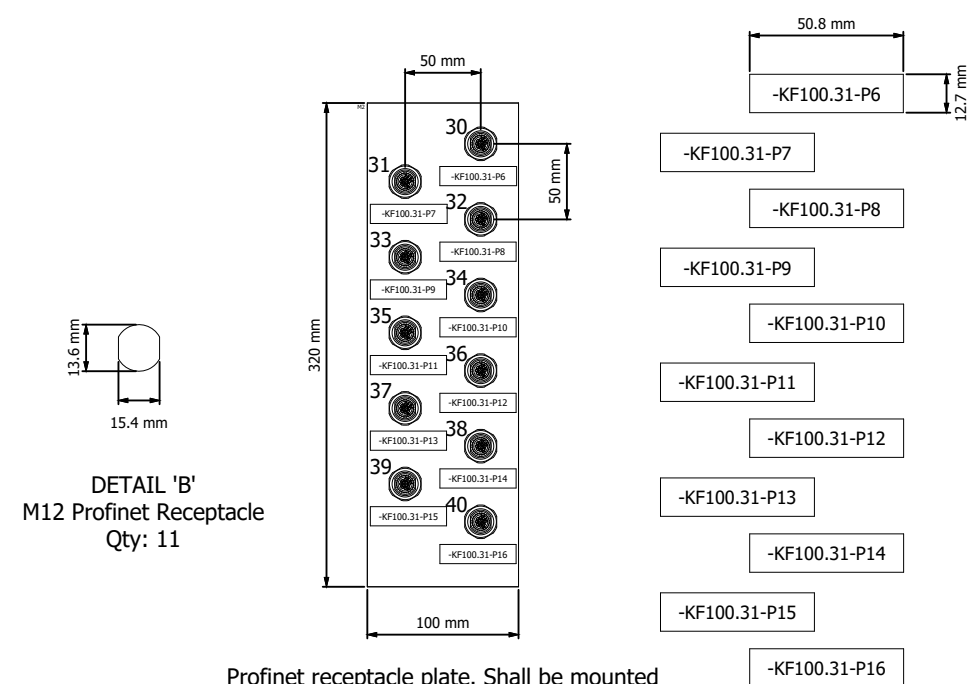
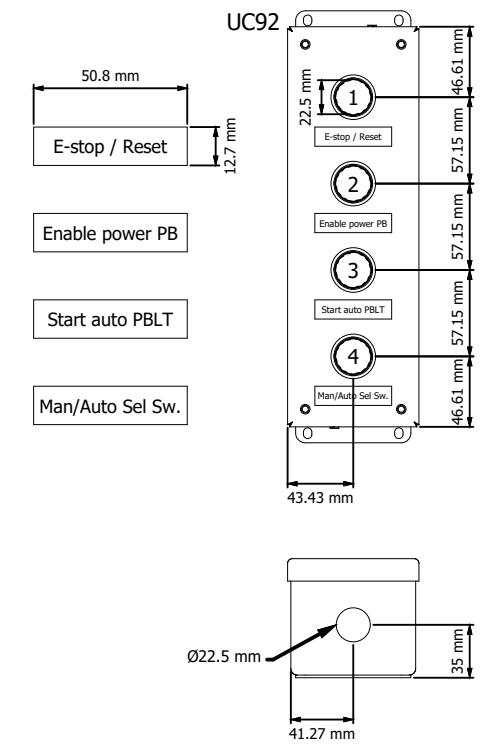
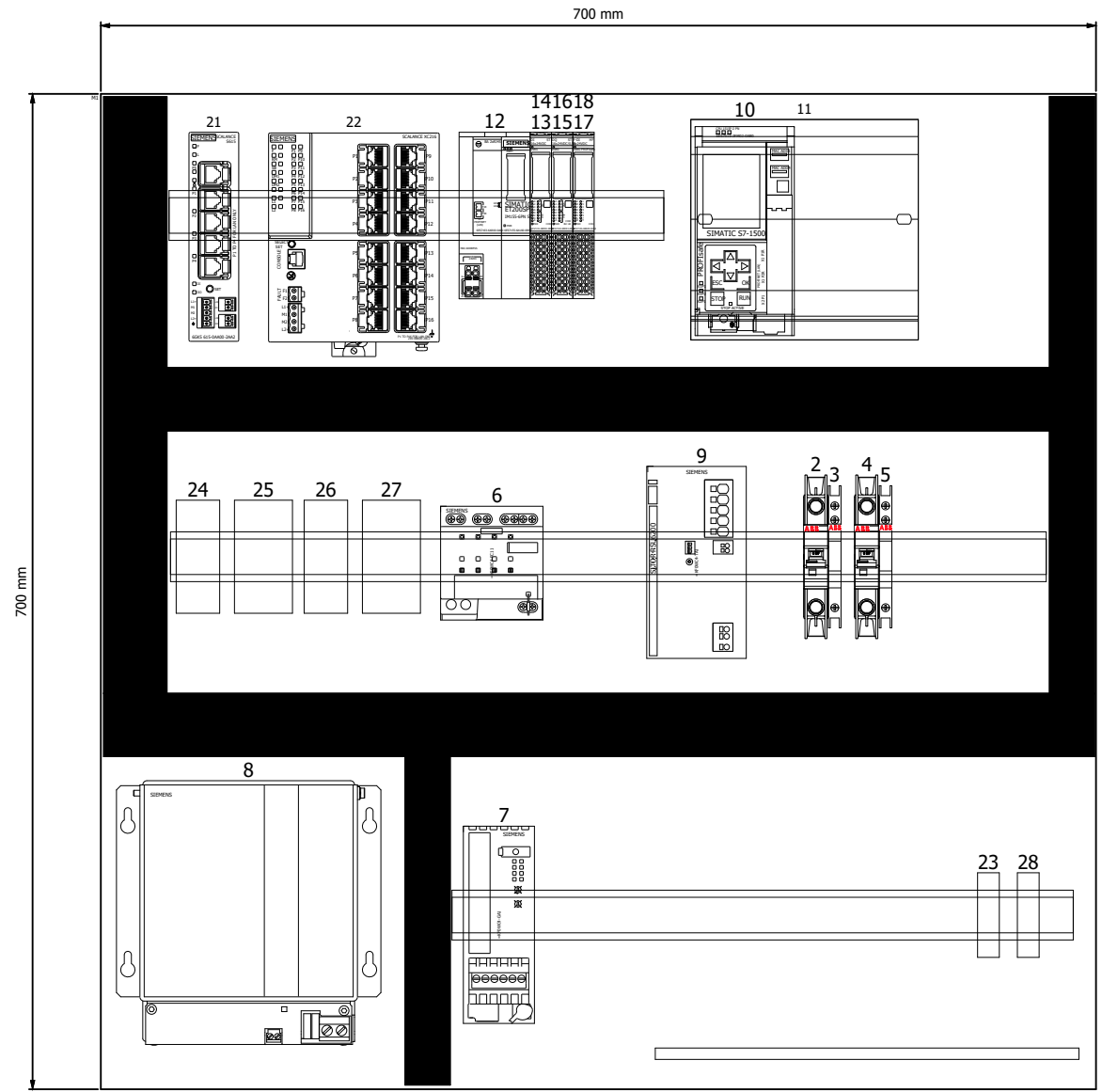
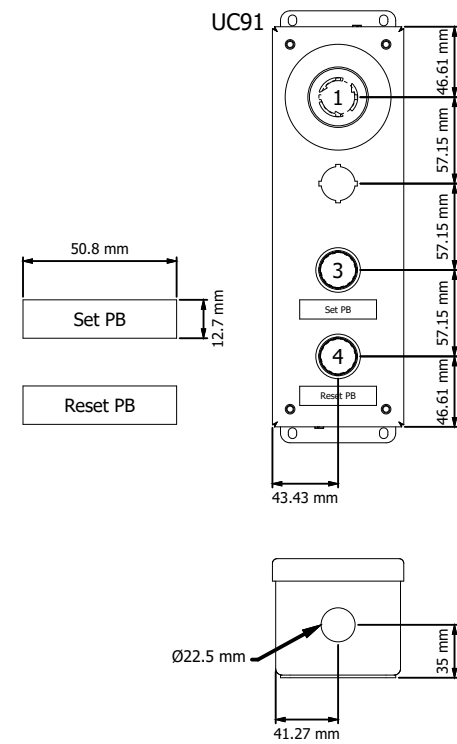


Top View
of Enclosure



Enclosure panel shall be finished in RAL 7035 Light Grey paint.

1		3	
Modification	Date	Name	Original
Date		1/17/2023	
Ed.		MKLEPADLO	
Appr.			
Original			
Replacement of		Replaced by	
Volvo Trucks North America		Valiant TMS	
P6700 Roof Inr & Dr Ring LH - Cell 2V07		Layout UC31 MOP External View	
Scale 1:10		Drawing name: =2V07&EFS-EL	
		= KF0	
		+ UC31	
Document type: ELU		Project nr: 22-16144	
		Page 2	
		509	

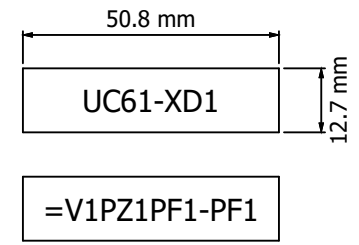
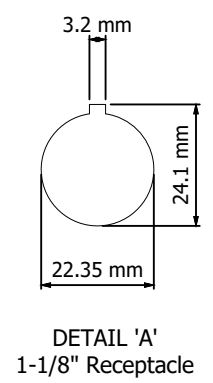
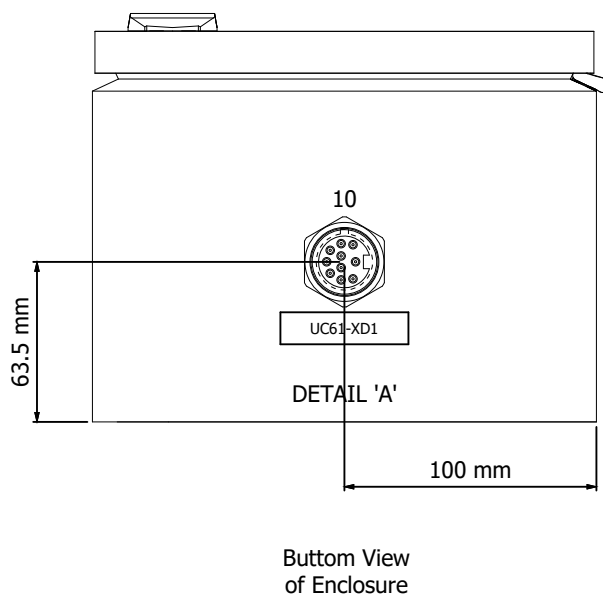
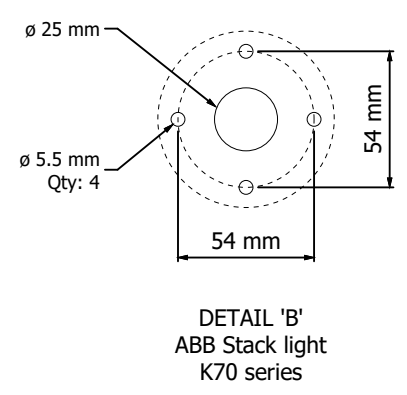
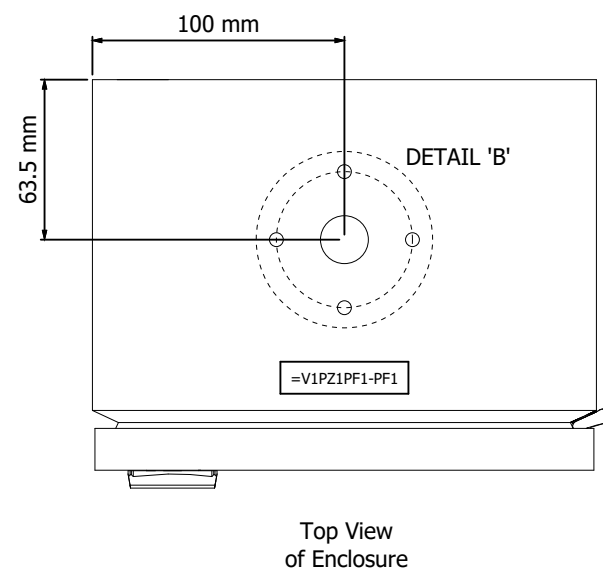
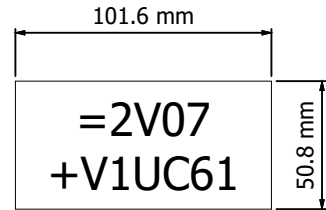
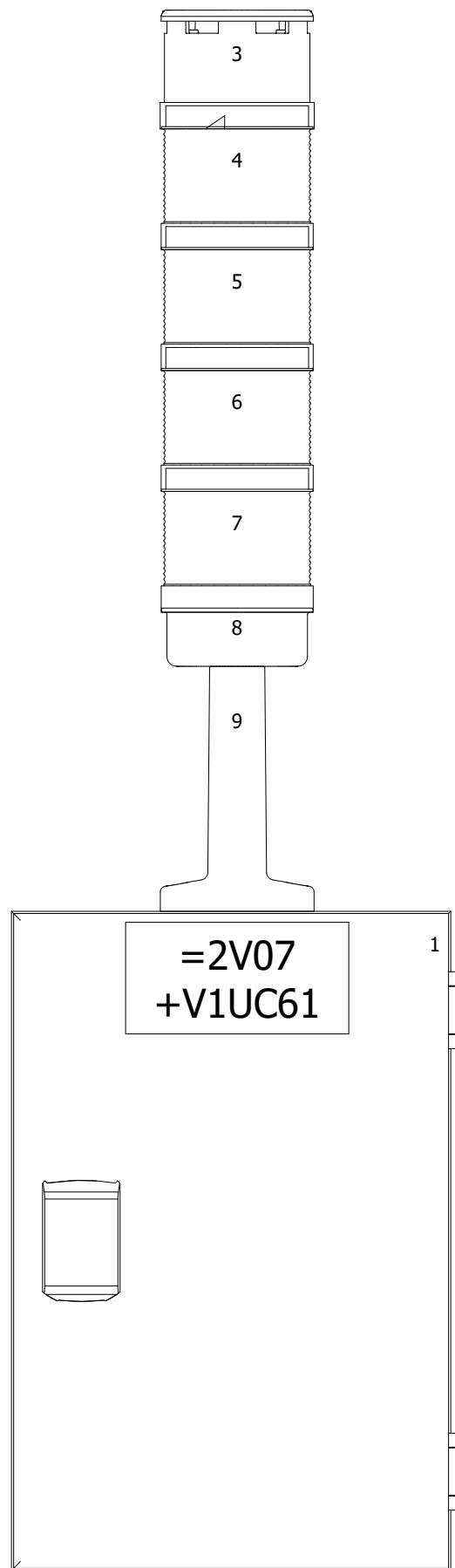


Profinet receptacle plate. Shall be mounted to left side of subplate with a bracket.
 * Mounting bracket to be provided by panel builder.

2

=V1PZ1PF1+V1UC61/1

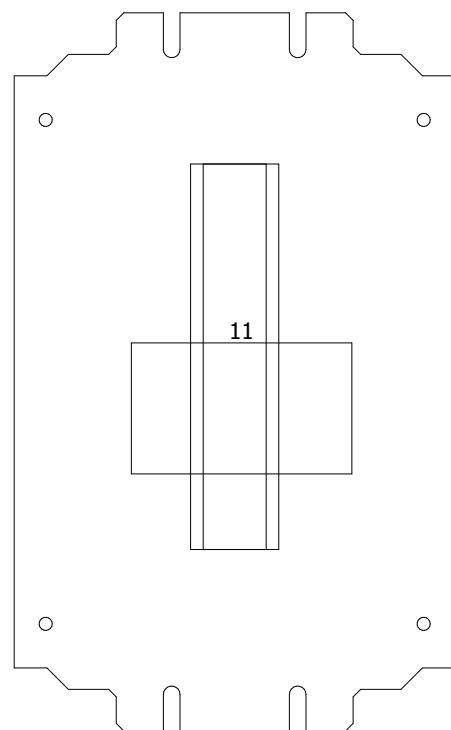
			Date	1/17/2023	Volvo Trucks North America	Valiant TMS	Layout UC31 MOP Internal View	Drawing name:	= 2V07&EFS-EL	= KF0
			Ed.	MKLEPADLO	P6700 Roof Inr & Dr Ring LH - Cell 2V07	Scale 1:5		Document type:	ELU	+ UC31
Modification	Date	Name	Original					Replaced by		Project nr:
										979



=KF0+UC31/3


2

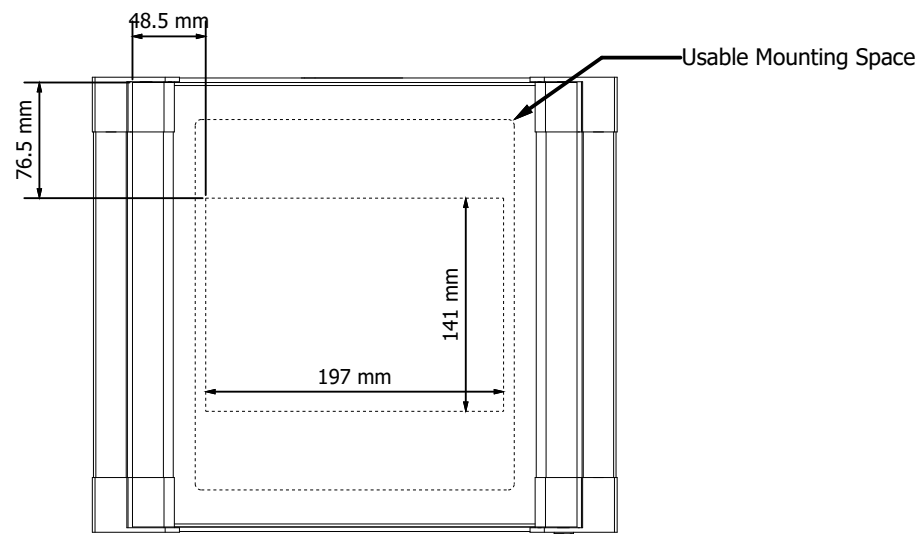
Date		1/17/2023		Volvo Trucks North America		Valiant TMS		Layout UC61 SL External View		Drawing name:		= V1PZ1PF1	
Ed.		MKLEPADLO		P6700 Roof Inr & Dr Ring LH - Cell 2V07		Scale 1:3				Document type:		=2V07&EFS-EL	
Appr				Replacement of		Replaced by				Project nr:		22-16144	
Modification	Date	Name	Original							Page		1	
												509	



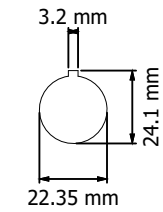
1

=V1SF0PG1+.UC51/1

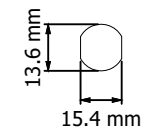
		Date	1/17/2023	Volvo Trucks North America			Valiant TMS	Layout UC61 SL Internal View	Drawing name:		= V1PZ1PF1	
		Ed.	MKLEPADLO	P6700 Roof Inr & Dr Ring LH - Cell 2V07					Document type:		=2V07&EFS-EL	+ V1UC61
Modification	Date	Name	Original	Replacement of	Replaced by		Scale 1:3		Project nr:	22-16144	Page	2
									ELU			509



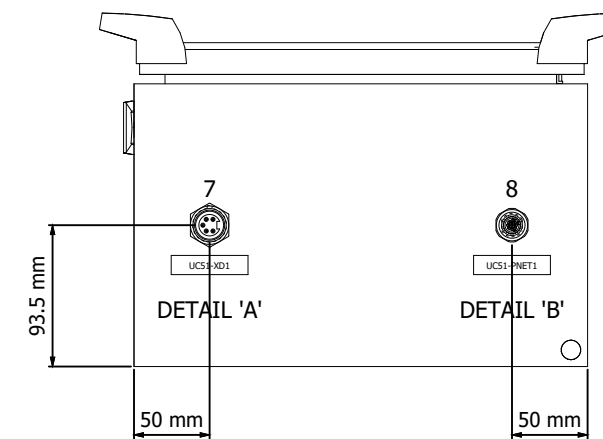
(Cutout measured from edge of removable mounting plate)



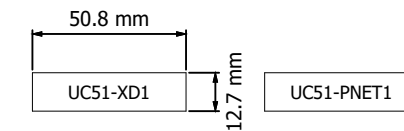
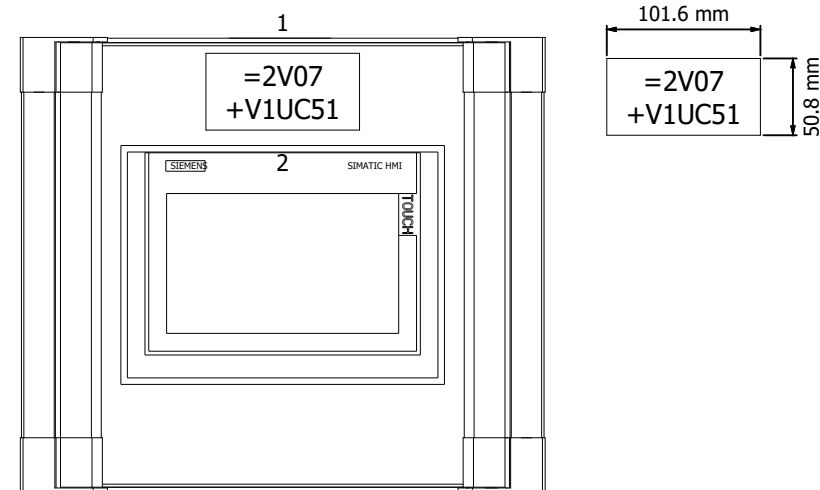
DETAIL 'A'
7/8" Receptacle



DETAIL 'B'
M12 Profinet Receptacle

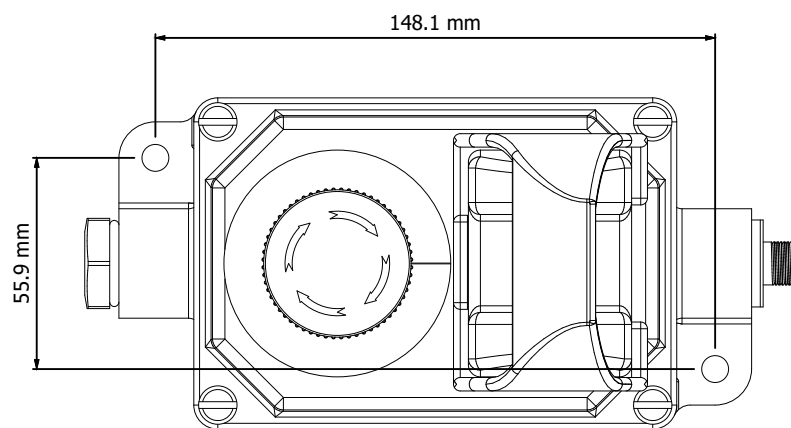
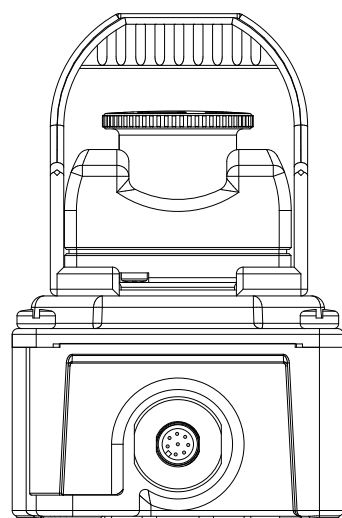
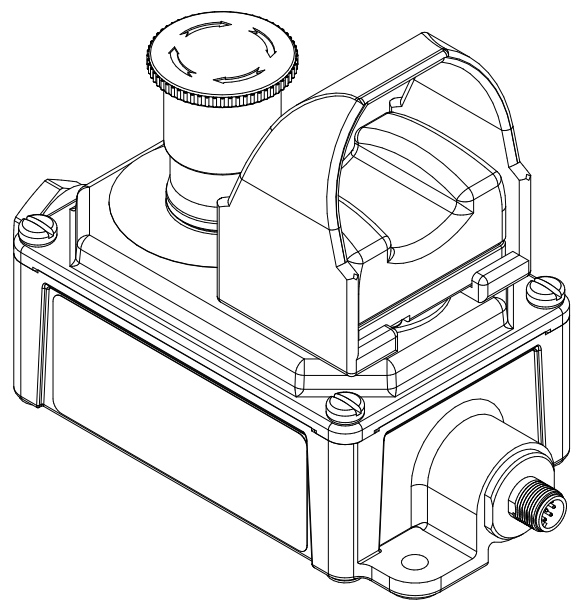
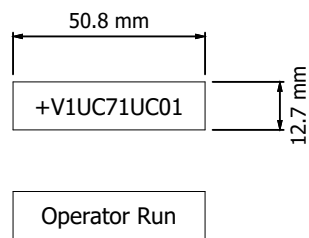



Bottom View
of Enclosure

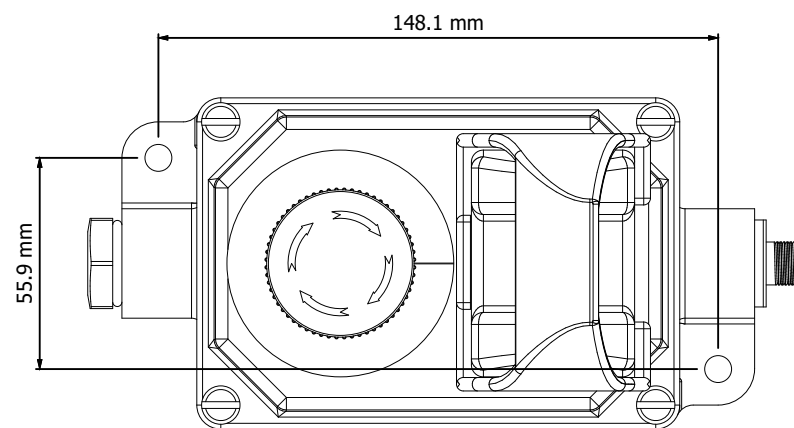
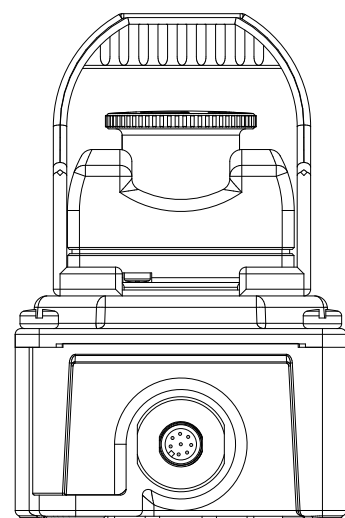
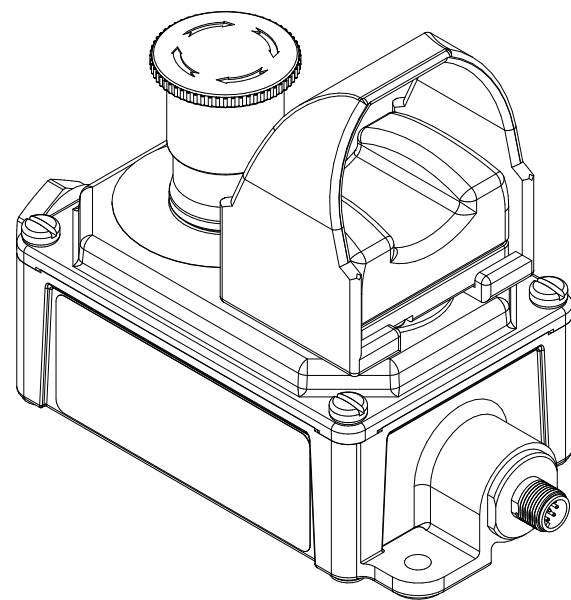
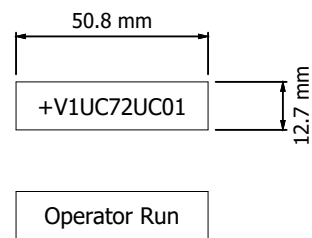


Enclosure panel shall be finished in RAL 7035 Light Grey paint.

Date		1/17/2023	Volvo Trucks North America		Valiant TMS	Layout UC51 OD External View	Drawing name:		= V1SF0PG1
Ed.		MKLEPADLO	P6700 Roof Inr & Dr Ring LH - Cell 2V07				=2V07&EFS-EL		+ V1UC51
Appr			Replacement of		Scale 1:5		Document type:		Page
Original			Replaced by				ELU	Project nr:	
Modification		Date	Name	Original			22-16144		509

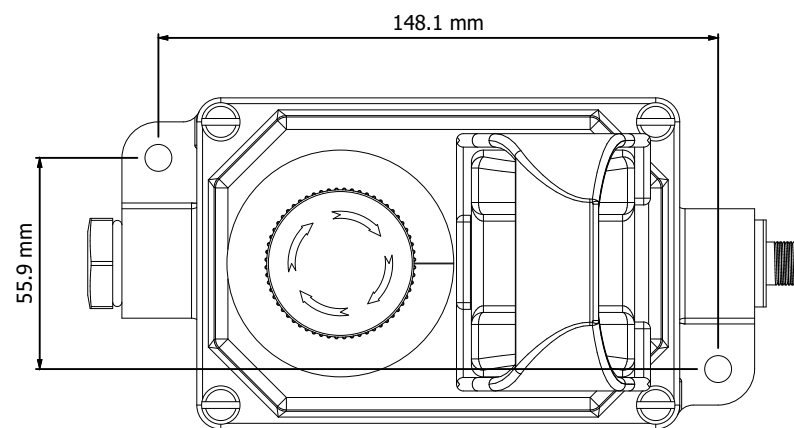
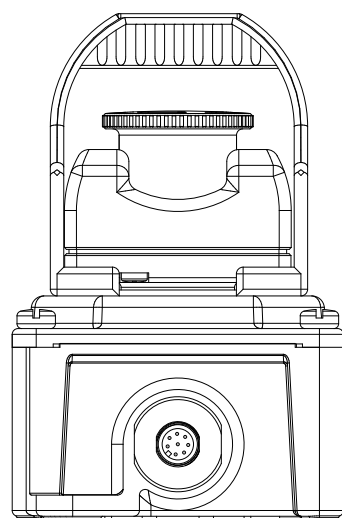
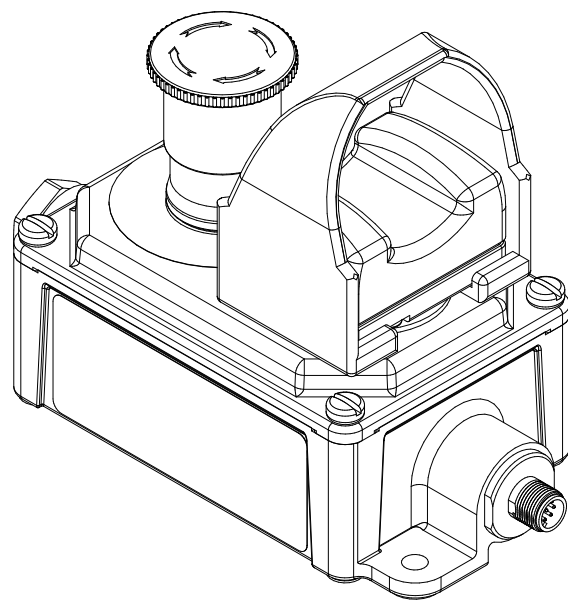
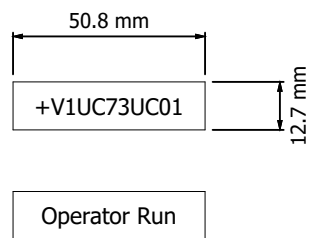


		Date	1/17/2023	Volvo Trucks North America		Valiant TMS	Layout UC71 RB External View	Drawing name:	= V1SF0SF1	
		Ed.	MKLEPADLO	P6700 Roof Inr & Dr Ring LH - Cell 2V07					=2V07&EFS-EL	+ V1UC71
Modification	Date	Name	Original	Replacement of	Replaced by	Scale 1:2		Document type:	Project nr:	Page
								ELU	22-16144	1
										509




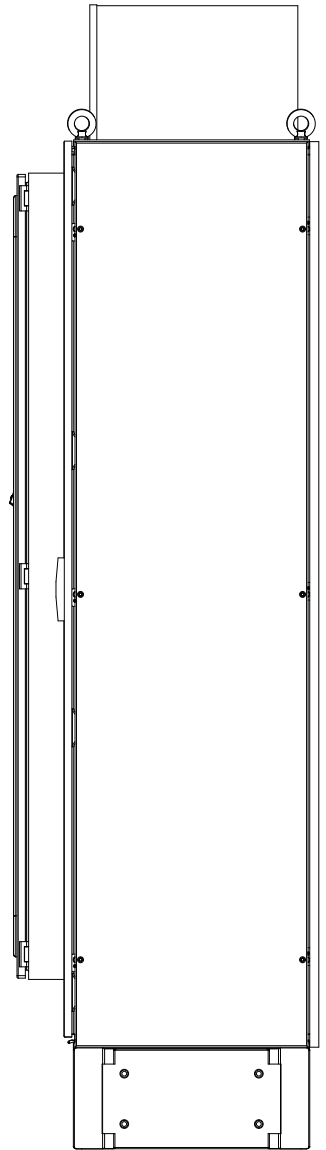
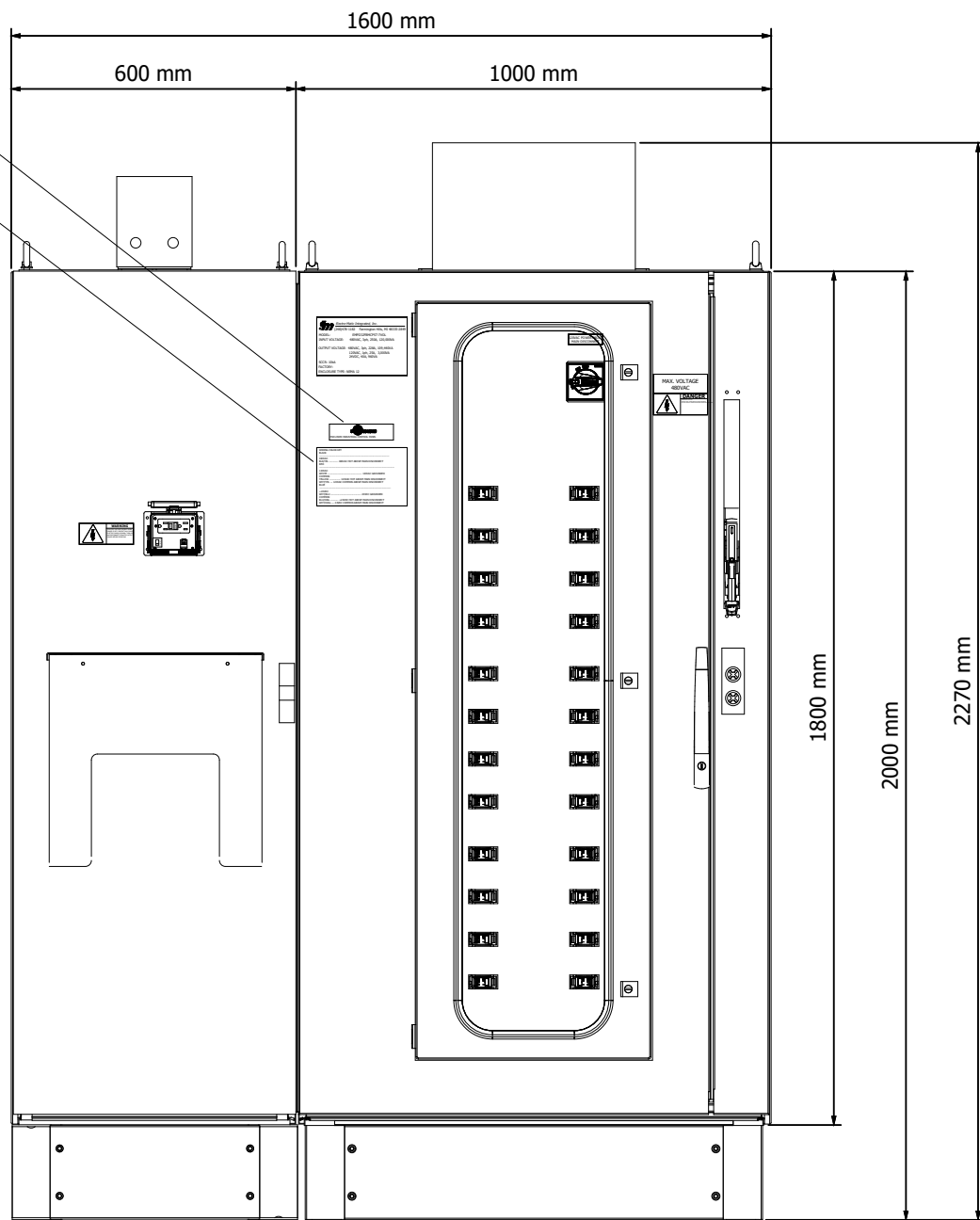
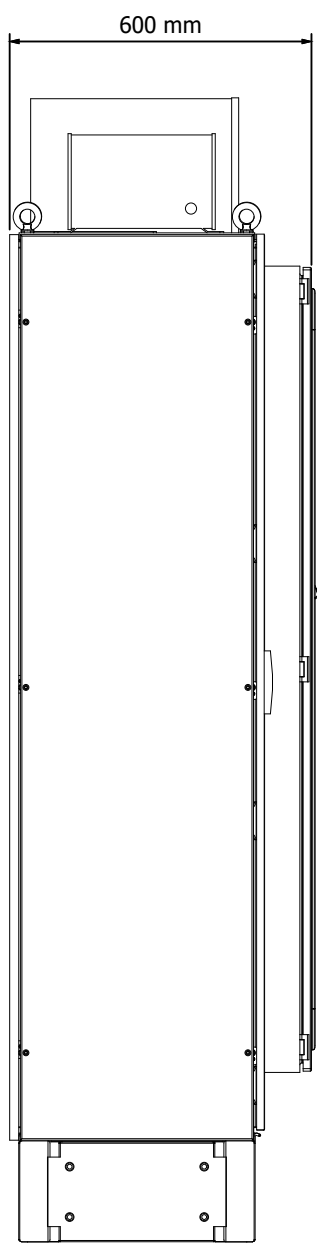
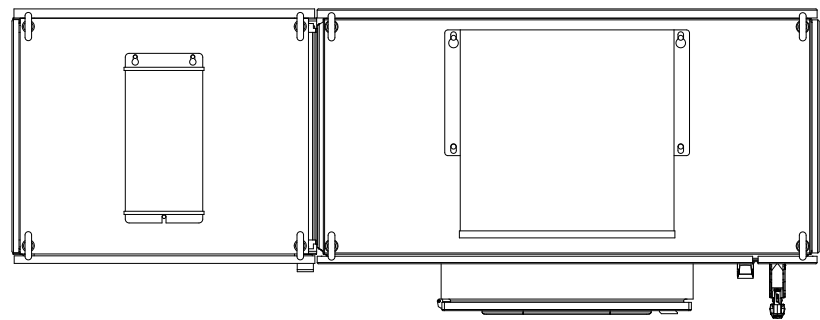
		Date	1/17/2023	Volvo Trucks North America	Valiant TMS	Layout UC72 RB External View	Drawing name:		= V1SF0SF2
		Ed.	MKLEPADLO				=2V07&EFS-EL		+ V1UC72
		Appr		P6700 Roof Inr & Dr Ring LH - Cell 2V07	Scale 1:2		Document type:	Project nr:	Page
Modification	Date	Name	Original	Replacement of			Replaced by	ELU	22-16144
									509

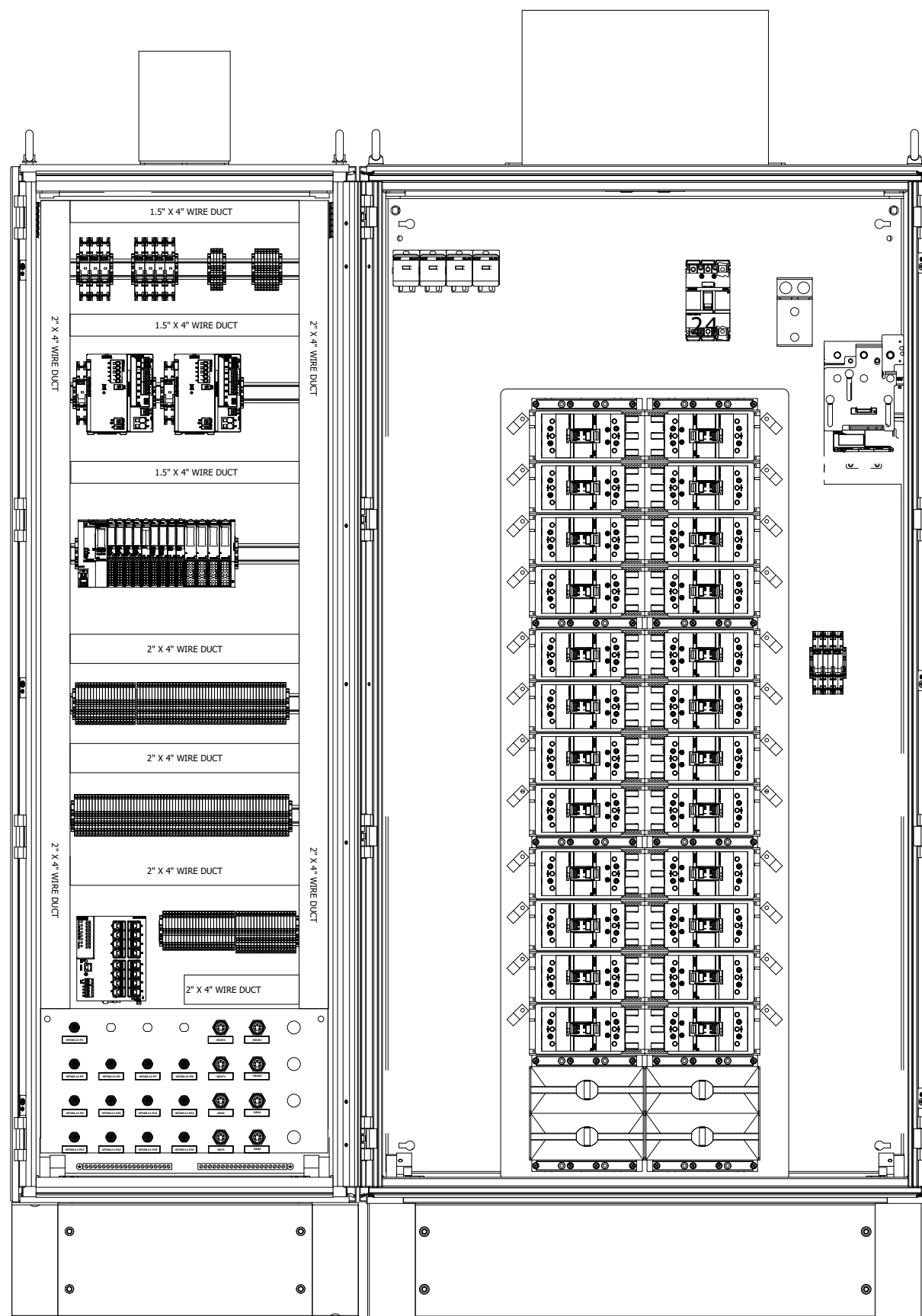




		Date	1/17/2023	Volvo Trucks North America	Valiant TMS	Layout UC73 RB External View	Drawing name:		= V1SF0SF3
		Ed.	MKLEPADLO				=2V07&EFS-EL		+ V1UC73
		Appr		P6700 Roof Inr & Dr Ring LH - Cell 2V07	Scale 1:2		Document type:	Project nr:	Page
Modification	Date	Name	Original	Replacement of			Replaced by	ELU	22-16144
									509

 **UL LISTED**
 ENCLOSED INDUSTRIAL CONTROL PANEL
 PLACE UL508A STICKER INSIDE DOOR
 LOG SERIAL NUMBER IN LOG BOOK.
 PLACE WIRE COLOR KEY INSIDE DOOR.





1

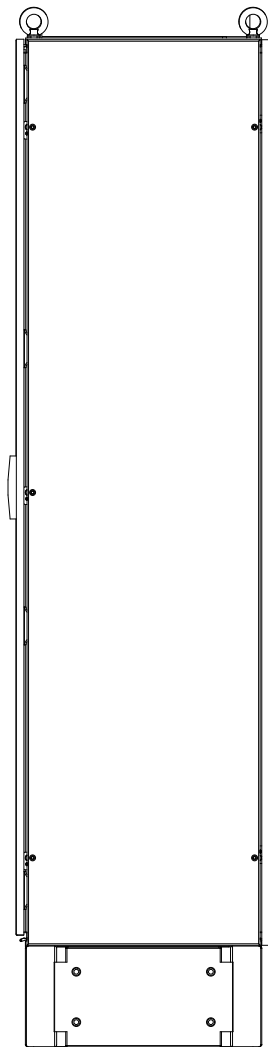
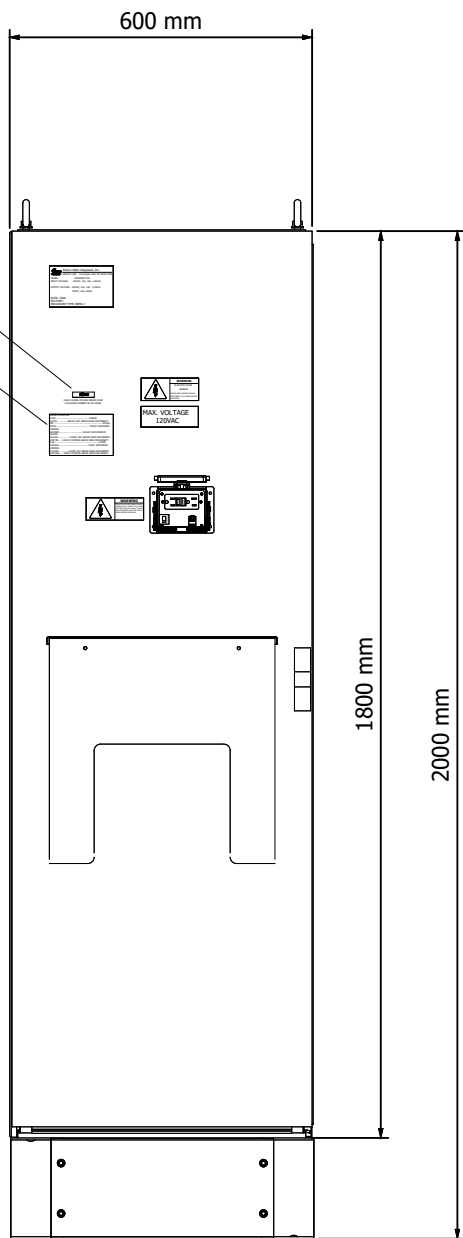
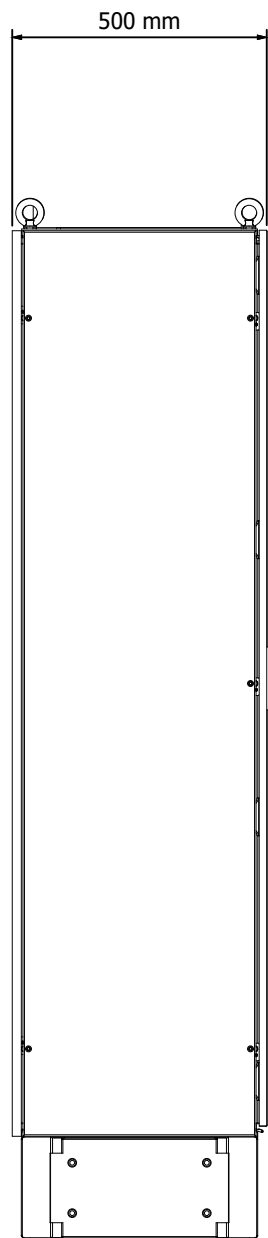
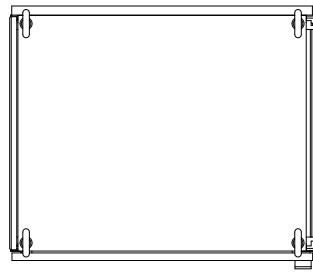
=V1UC14+.UC14/1

		Date	1/17/2023	Volvo Trucks North America	Valiant TMS	Layout UC11 PDP Internal View	Drawing name:		= V1UC11
		Ed.	MKLEPADLO				=2V07&EFS-EL		+ V1UC11
		Appr		P6700 Roof Inr & Dr Ring LH - Cell 2V07	Scale 1:10		Document type:	Project nr:	Page
Modification	Date	Name	Original	Replacement of			Replaced by	ELU	22-16144
									509

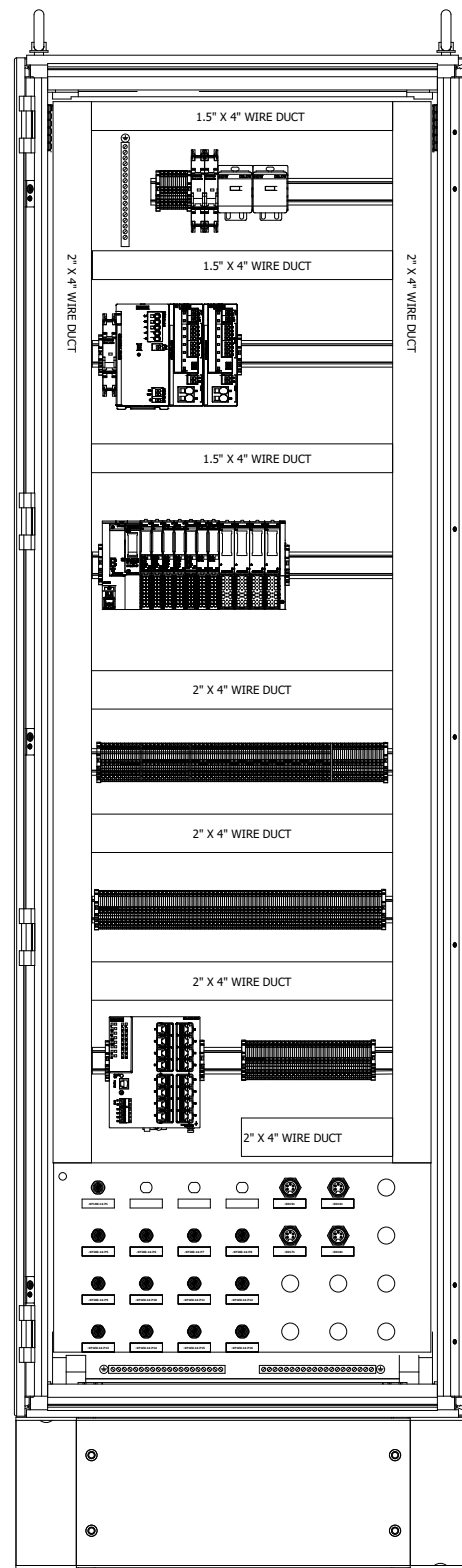


PLACE UL508A STICKER INSIDE DOOR
LOG SERIAL NUMBER IN LOG BOOK.

PLACE WIRE COLOR KEY INSIDE DOOR.




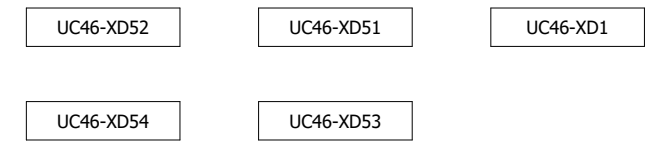
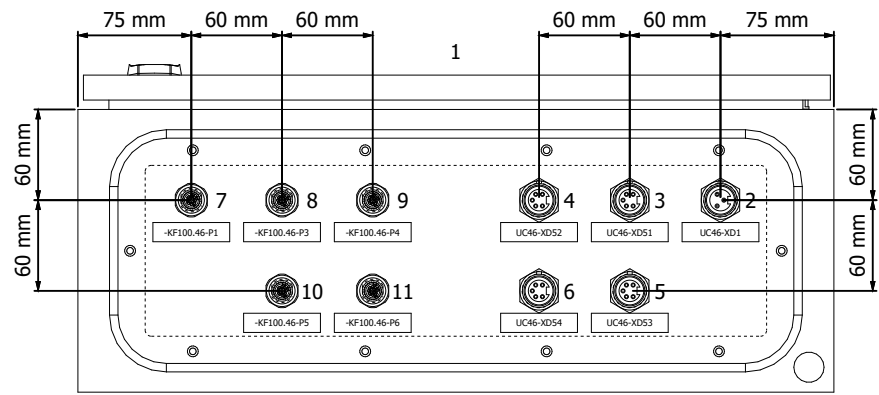
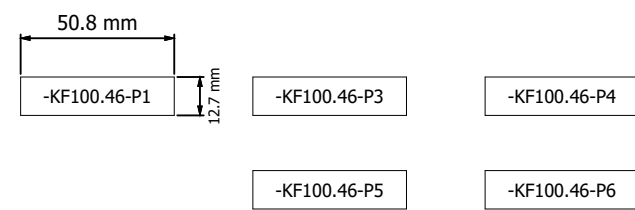
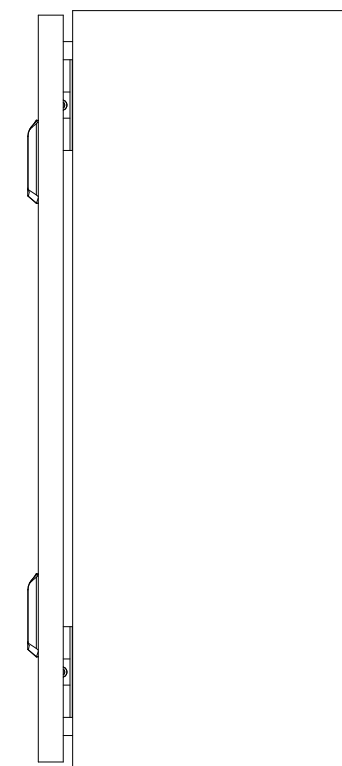
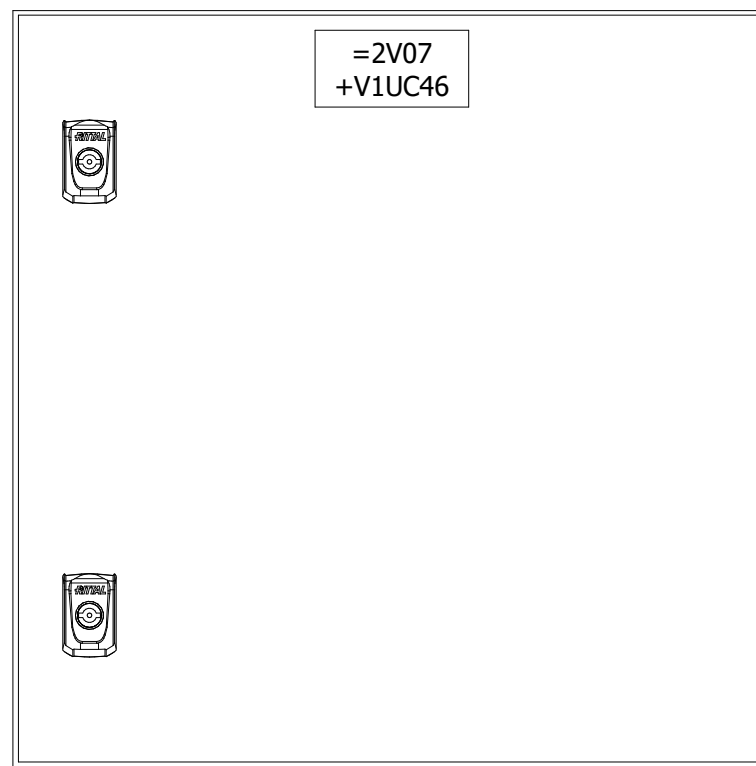
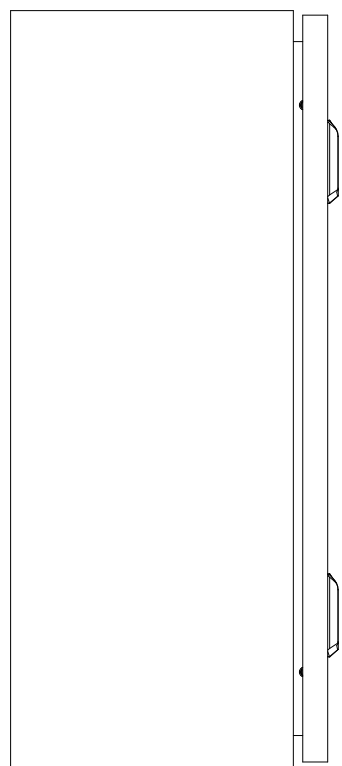
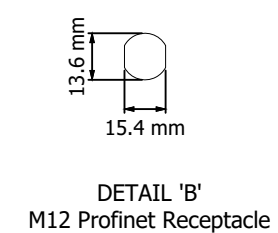
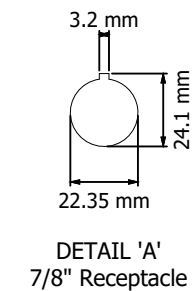
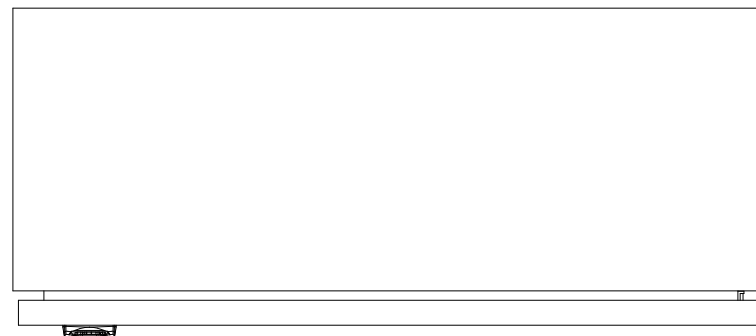
		Date	1/17/2023	Volvo Trucks North America	Valiant TMS	Layout UC14 RIO External View	Drawing name:		= V1UC14
		Ed.	MKLEPADLO				=2V07&EFS-EL		+ V1UC14
		Appr		P6700 Roof Inr & Dr Ring LH - Cell 2V07	Scale 1:15		Document type:	Project nr:	Page
Modification	Date	Name	Original	Replacement of			Replaced by	ELU	22-16144
									509



1

=V1UC46+.UC46/1

		Date	1/17/2023	Volvo Trucks North America			Valiant TMS	Layout UC14 RIO Internal Controls View	Drawing name: =2V07&EFS-EL		= V1UC14
		Ed.	MKLEPADLO	P6700 Roof Inr & Dr Ring LH - Cell 2V07					Document type: ELU		+ V1UC14
Modification	Date	Name	Original	Replacement of	Replaced by		Scale 1:10		Project nr: 22-16144		Page 2
											509



Enclosure panel shall be finished in RAL 7035 Light Grey paint.

=V1UC14+.UC14/2

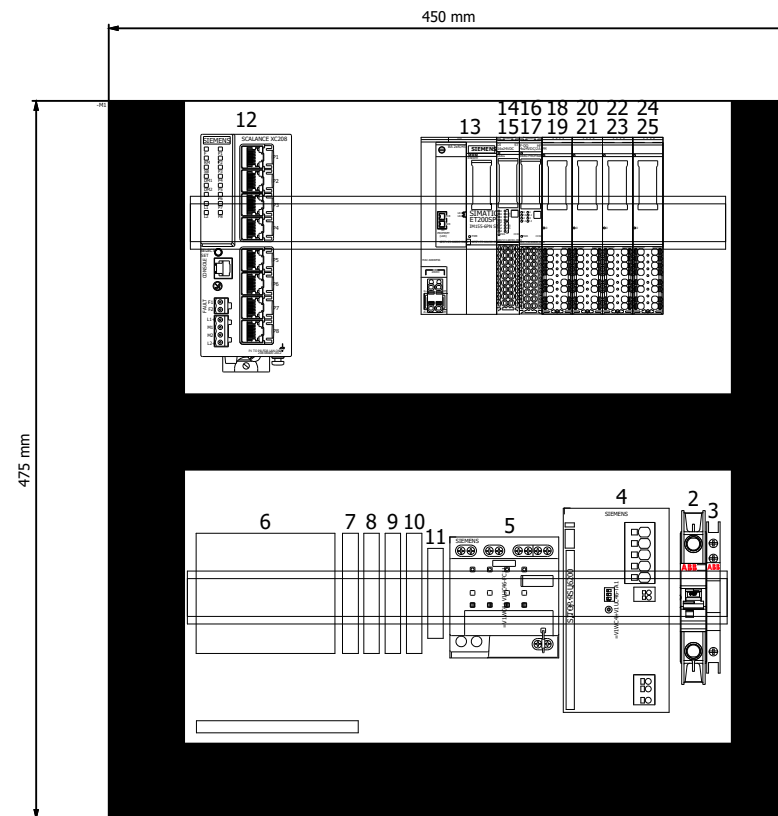
Modification		Date	Name	Original	Replacement of	Replaced by	Scale 1:5	Valiant TMS Layout UC46 TT RIO External View	Drawing name: =2V07&EFS-EL	= V1UC46 + V1UC46	Page 1
Date	Name	Original	Original						Document type: ELU	Project nr: 22-16144	

Volvo Trucks North America
P6700 Roof Inr & Dr Ring LH - Cell 2V07



Valiant TMS
Scale 1:5

Document type:
ELU
Project nr:
22-16144
Page 1
509



		Date	1/17/2023	Volvo Trucks North America	Valiant TMS	Layout UC46 TT RIO Internal View	Drawing name:		= V1UC46
		Ed.	MKLEPADLO				=2V07&EFS-EL		+ V1UC46
		Appr		P6700 Roof Inr & Dr Ring LH - Cell 2V07	Scale 1:5		Document type:	Project nr:	Page
Modification	Date	Name	Original	Replacement of			Replaced by	ELU	22-16144
									509

Cable overview

F10_001_Cable

Cable name	Source (from)	Target (to)	cable type	all conductors	Conductors used	Cross-section [mm]	Length [m]	remark
=V1SF0SF1-W1	=V1KF1+V1UC11-KF11.14 =V1WC4+V1UC11-XD13	=V1SF0SF1+V1UC71-SF1	CBL	8	8	24	20	
	=V1KF1+V1UC11-KF11.31 =V1WC4+V1UC11-XD10							
=V1SF0SF2-W1	=V1KF1+V1UC14-KF14.12 =V1WC4+V1UC14-XD17	=V1SF0SF2+V1UC72-SF1	CBL	8	8	24	25	
	=V1KF1+V1UC14-KF14.32 =V1WC4+V1UC14-XD10							
=V1SF0SF3-W1	=V1KF1+V1UC14-KF14.12 =V1WC4+V1UC14-XD17	=V1SF0SF3+V1UC73-SF1	CBL	8	8	24	25	
	=V1KF1+V1UC14-KF14.32 =V1WC4+V1UC14-XD10							
=KF0KF1-KF1.31-P2	=KF0KF1+UC31-KF1.31-X1	=KF0KF1+UC31-KF31	PROFINET Cable	4	0	22		
=KF0KF1-KF100-P1	=KF0KF1+UC31-KF100.31	=KF0KF1+UC31-KF99.31	PROFINET Cable	4	1	22		
=KF0KF1-KF100.31-P2	=KF0KF1+UC31-KF1.31-X2	=KF0KF1+UC31-KF100.31	PROFINET Cable	4	0	22		
=KF0KF1-KF100.31-P3	=KF0KF1+UC31-KF1.31-X1	=KF0KF1+UC31-KF100.31	PROFINET Cable	4	0	22		
=KF0KF1-KF100.31-P4	=KF0KF1+UC31-KF100.31	=KF0KF1+UC31-PC1	PROFINET Cable	4	0	22		
=KF0KF1-KF100.31-P5	=KF0KF1+UC31-KF100.31	=KF0KF1+UC31-PC1	PROFINET Cable	4	0	22		
=KF0KF1-KF100.31-P6	=KF0KF1+UC31-KF100.31-P6	=KF0KF1+UC31-KF100.31	PROFINET Cable	4	1	22		
=KF0KF1-KF100.31-P7	=KF0KF1+UC31-KF100.31-P7	=KF0KF1+UC31-KF100.31	PROFINET Cable	4	1	22		
=KF0KF1-KF100.31-P8	=KF0KF1+UC31-KF100.31-P8	=KF0KF1+UC31-KF100.31	PROFINET Cable	4	1	22		
=KF0KF1-KF100.31-P9	=KF0KF1+UC31-KF100.31-P9	=KF0KF1+UC31-XG2	PROFINET Cable	4	1	22		
		=KF0KF1+UC31-KF100.31						
=KF0KF1-KF100.31-P10	=KF0KF1+UC31-KF100.31-P10	=KF0KF1+UC31-KF100.31	PROFINET Cable	4	1	22		
=KF0KF1-KF100.31-P11	=KF0KF1+UC31-KF100.31-P11	=KF0KF1+UC31-KF100.31	PROFINET Cable	4	1	22		
=KF0KF1-KF100.31-P12	=KF0KF1+UC31-KF100.31-P12	=KF0KF1+UC31-KF100.31	PROFINET Cable	4	1	22		
=KF0KF1-KF100.31-P13	=KF0KF1+UC31-KF100.31-P13	=KF0KF1+UC31-KF100.31	PROFINET Cable	4	1	22		
=KF0KF1-KF100.31-P14	=KF0KF1+UC31-KF100.31-P14	=KF0KF1+UC31-KF100.31	PROFINET Cable	4	1	22		
=KF0KF1-KF100.31-P15	=KF0KF1+UC31-KF100.31-P15	=KF0KF1+UC31-KF100.31	PROFINET Cable	4	1	22		
=KF0KF1-KF100.31-P16	=KF0KF1+UC31-KF100.31-P16	=KF0KF1+UC31-KF100.31	PROFINET Cable	4	1	22		
=KF0KF1-WF1	=KF0KF1+UC31-KF99.31	=KF0KF1+UC31-xx	PROFINET Cable	4	0	22		
=V1AR21KF1-KF100.11-P7	=V1AR21KF1+V1AR21UC01-XPN-X2	=V1KF1+V1UC11-KF100.11-P7	PROFINET Cable	4	1	22	12	
=V1AR22KF1-KF100.11-P6	=V1AR22KF1+V1AR22UC01-XPN-X2	=V1KF1+V1UC11-KF100.11-P6	PROFINET Cable	4	1	22	14	
=V1AR41KF1-KF100.11-P5	=V1AR41KF1+V1AR41UC01-XPN-X2	=V1KF1+V1UC11-KF100.11-P5	PROFINET Cable	4	1	22	17	
=V1AR41UQ41KF1-WF1	=V1AR41UQ41KF1+V1AR41UQ41-KF1-TP1	=V1AR41UQ41KF1+V1AR41UQ41-R3.CP/CS	PROFINET Cable	4	1	22	30	
=V1AR191KF1-KF100.11-P14	=V1AR191KF1+V1AR191UC01-XPN-X2	=V1KF1+V1UC11-KF100.11-P14	PROFINET Cable	4	1	22	13	
=V1BX11WC3-KF100.31-P12	=KF0KF1+UC31-KF100.31-P12	=V1BX11WC3+V1BX11UC01-KFS1	PROFINET Cable	4	1	22		
=V1FG1KF1-KF100.14-P7	=V1KF1+V1UC14-KF100.14-P7	=V1FG1KF1+V1FG1-KF1-TP1	PROFINET Cable	4	1	22	20	
=V1FG2KF1-KF100.14-P8	=V1KF1+V1UC14-KF100.14-P8	=V1FG2KF1+V1FG2-KF1-TP1	PROFINET Cable	4	1	22	20	
=V1GL15UQ51KF1-KF100.31-P11	=KF0KF1+UC31-KF100.31-P11	=V1GL15UQ51KF1+V1GL15UQ51-KF1-TP1	PROFINET Cable	4	1	22		
=V1KF1-KF100.11-P1	=V1KF1+V1UC11-KF100.11-P1	=V1KF1+V1UC11-KF100.11	PROFINET Cable	4	1	22		
=V1KF1-KF100.11-P4	=V1KF1+V1UC11-KF100.11-P4	=V1KF1+V1UC11-KF100.11	PROFINET Cable	4	1	22		
=V1KF1-KF100.11-P5	=V1KF1+V1UC11-KF100.11-P5	=V1KF1+V1UC11-KF100.11	PROFINET Cable	4	1	22		

&ELU=V1UC46+V1UC46/2

2

Date	1/17/2023	Volvo Trucks North America	Valiant TMS	Cable overview	Drawing name:	=	
Ed.	MKLEPADLO	P6700 Roof Inr & Dr Ring LH - Cell 2V07	Scale 1:1		=2V07&EFS-EL	+	
Appr					Document type:	Project nr:	Page
Modification	Date	Name	Original	Replaced by	EMC	22-16144	509

Cable overview

F10_001_Cable

Cable name	Source (from)	Target (to)	cable type	all conductors	Conductors used	Cross-section [mm]	Length [m]	remark
=V1KF1-KF100.11-P6	=V1KF1+V1UC11-KF100.11-P6	=V1KF1+V1UC11-KF100.11	PROFINET Cable	4	1	22		
=V1KF1-KF100.11-P7	=V1KF1+V1UC11-KF100.11-P7	=V1KF1+V1UC11-KF100.11	PROFINET Cable	4	1	22		
=V1KF1-KF100.11-P8	=V1KF1+V1UC11-KF100.11-P8	=V1FQ1+V1FQ1BG2-BG2-X3	PROFINET Cable	4	1	22		
		=V1KF1+V1UC11-KF100.11						
=V1KF1-KF100.11-P9	=V1KF1+V1UC11-KF100.11-P9	=V1KF1+V1UC11-KF100.11	PROFINET Cable	4	1	22		
=V1KF1-KF100.11-P10	=V1KF1+V1UC11-KF100.11-P10	=V1KF1+V1UC11-KF100.11	PROFINET Cable	4	1	22		
=V1KF1-KF100.11-P11	=V1KF1+V1UC11-KF100.11-P11	=V1FQ1+V1FQ1BG3-BG3-X3	PROFINET Cable	4	1	22		
		=V1KF1+V1UC11-KF100.11						
=V1KF1-KF100.11-P12	=V1KF1+V1UC11-KF100.11-P12	=V1KF1+V1UC11-KF100.11	PROFINET Cable	4	1	22		
=V1KF1-KF100.11-P13	=V1KF1+V1UC11-KF100.11-P13	=V1KF1+V1UC11-KF100.11	PROFINET Cable	4	1	22		
=V1KF1-KF100.11-P14	=V1KF1+V1UC11-KF100.11-P14	=V1KF1+V1UC11-KF100.11	PROFINET Cable	4	1	22		
=V1KF1-KF100.11-P15	=V1KF1+V1UC11-KF100.11-P15	=V1FQ1+V1FQ1BG1-BG1-X3	PROFINET Cable	4	1	22		
		=V1KF1+V1UC11-KF100.11						
=V1KF1-KF100.11-P16	=V1KF1+V1UC11-KF100.11-P16	=V1KF1+V1UC11-KF100.11	PROFINET Cable	4	1	22		
=V1KF1-KF100.11-P3	=V1KF1+V1UC11-KF100.11	=V1KF1+V1UC11-KF11	PROFINET Cable	4	0	22		
=V1KF1-KF100.31-P6	=KF0KF1+UC31-KF100.31-P6	=V1KF1+V1UC11-KF100.11-P1	PROFINET Cable	4	0	22		
=V1KF1-KF100.14-P1	=V1KF1+V1UC14-KF100.14-P1	=V1KF1+V1UC14-KF100.14	PROFINET Cable	4	1	22		
=V1KF1-KF100.14-P3	=V1KF1+V1UC14-KF100.14	=V1KF1+V1UC14-KF14	PROFINET Cable	4	0	22		
=V1KF1-KF100.14-P4	=V1KF1+V1UC14-KF100.14-P4	=V1KF1+V1UC14-KF100.14	PROFINET Cable	4	1	22		
=V1KF1-KF100.14-P5	=V1KF1+V1UC14-KF100.14-P5	=V1KF1+V1UC14-KF100.14	PROFINET Cable	4	1	22		
=V1KF1-KF100.14-P6	=V1KF1+V1UC14-KF100.14-P6	=V1KF1+V1UC14-KF100.14	PROFINET Cable	4	1	22		
=V1KF1-KF100.14-P7	=V1KF1+V1UC14-KF100.14-P7	=V1KF1+V1UC14-KF100.14	PROFINET Cable	4	1	22		
=V1KF1-KF100.14-P8	=V1KF1+V1UC14-KF100.14-P8	=V1KF1+V1UC14-KF100.14	PROFINET Cable	4	1	22		
=V1KF1-KF100.14-P9	=V1KF1+V1UC14-KF100.14-P9	=V1KF1+V1UC14-KF100.14	PROFINET Cable	4	1	22		
=V1KF1-KF100.14-P10	=V1KF1+V1UC14-KF100.14-P10	=V1KF1+V1UC14-KF100.14	PROFINET Cable	4	1	22		
=V1KF1-KF100.14-P11	=V1KF1+V1UC14-KF100.14-P11	=V1KF1+V1UC14-KF100.14	PROFINET Cable	4	1	22		
=V1KF1-KF100.14-P12	=V1KF1+V1UC14-KF100.14-P12	=V1KF1+V1UC14-KF100.14	PROFINET Cable	4	1	22		
=V1KF1-KF100.14-P13	=V1KF1+V1UC14-KF100.14-P13	=V1KF1+V1UC14-KF100.14	PROFINET Cable	4	1	22		
=V1KF1-KF100.14-P14	=V1KF1+V1UC14-KF100.14-P14	=V1KF1+V1UC14-KF100.14	PROFINET Cable	4	1	22		
=V1KF1-KF100.14-P15	=V1KF1+V1UC14-KF100.14-P15	=V1KF1+V1UC14-KF100.14	PROFINET Cable	4	1	22		
=V1KF1-KF100.14-P16	=V1KF1+V1UC14-KF100.14-P16	=V1KF1+V1UC14-KF100.14	PROFINET Cable	4	1	22		
=V1KF1-KF100.31-P10	=KF0KF1+UC31-KF100.31-P10	=V1KF1+V1UC14-KF100.14-P1	PROFINET Cable	4	0	22	16	
=V1KF1-KF100.11-P16	=V1KF1+V1UC11-KF100.11-P16	=V1KF1+V1WR1-XD1	PROFINET Cable	4	0	22	25	
=V1KF1-KF100.31-P7	=V1KF1+V1UC46-KF100.46-P1	=V1KF1+V1WR1-XD1	PROFINET Cable	4	0	22	5	
=V1KF1-KF100.46-P1	=V1KF1+V1UC46-KF100.46-P1	=V1KF1+V1UC46-KF100.46	PROFINET Cable	4	1	22		
=V1KF1-KF100.46-P2	=V1KF1+V1UC46-KF100.46	=V1KF1+V1UC46-KF46	PROFINET Cable	4	0	22	1	
=V1KF1-KF100.46-P3	=V1KF1+V1UC46-KF100.46-P3	=V1KF1+V1UC46-KF100.46	PROFINET Cable	4	1	22		
=V1KF1-KF100.46-P4	=V1KF1+V1UC46-KF100.46-P4	=V1KF1+V1UC46-KF100.46	PROFINET Cable	4	1	22		
=V1KF1-KF100.46-P5	=V1KF1+V1UC46-KF100.46-P5	=V1KF1+V1UC46-KF100.46	PROFINET Cable	4	1	22		
=V1KF1-KF100.46-P6	=V1KF1+V1UC46-KF100.46-P6	=V1KF1+V1UC46-KF100.46	PROFINET Cable	4	1	22		
=V1SF0PG1-KF100.11-P9	=V1KF1+V1UC11-KF100.11-P9	=V1SF0PG1+V1UC51-PNET1	PROFINET Cable	4	0	22	25	
=V1SF0PG1-PNET1	=V1SF0PG1+V1UC51-PNET1	=V1SF0PG1+V1UC51-PG1	PROFINET Cable	4	0	22		
=V1U10U01KF1-KF100.11-P10	=V1KF1+V1UC11-KF100.11-P10	=V1U10U01KF1+V1U10U01-KF1.11	PROFINET Cable	4	0	22	25	
=V1U50U01KF1-KF100.14-P5	=V1KF1+V1UC14-KF100.14-P5	=V1U50U01KF1+V1U50U01-KF1.11	PROFINET Cable	4	0	22	25	
=V1UN1KF1-KF100.14-P9	=V1KF1+V1UC14-KF100.14-P9	=V1UN1KF1+V1UN1-KF1.11	PROFINET Cable	4	0	22	30	
=V1UQ51KF1-KF100.14-P6	=V1KF1+V1UC14-KF100.14-P6	=V1UQ51KF1+V1UQ51-KF1-TP1	PROFINET Cable	4	0	22	20	

Date	1/17/2023	Volvo Trucks North America	Valiant TMS	Cable overview	Drawing name:	=	
Ed.	MKLEPADLO	P6700 Roof Inr & Dr Ring LH - Cell 2V07	Scale 1:1		=2V07&EFS-EL	+	
Appr					Document type:	Project nr:	Page
Modification	Date	Name	Original	Replaced by	EMC	22-16144	509

Cable overview



F10_001_Cable

Cable name	Source (from)	Target (to)	cable type	all conductors	Conductors used	Cross-section [mm]	Length [m]	remark
=V1WC1-KF100.11-P2	=V1KF1+V1UC11-KF100.11	=V1WC1+V1UC11-KF1.2	PROFINET Cable	4	1	22		
=V1WR1KF1-KF100.11-P12	=V1KF1+V1UC11-KF100.11-P12	=V1WR1KF1+V1WR1-KF1.11	PROFINET Cable	4	0	22		
=V1WR1KF2-KF1-P2	=V1WR1KF1+V1WR1-KF1.11	=V1WR1KF2+V1WR1-KF2.11	PROFINET Cable	4	0	22	5	
=V1WR1UQ51KF1-KF100.46-P3	=V1KF1+V1UC46-KF100.46-P3	=V1WR1UQ51KF1+V1WR1UQ51-KF1-TP1	PROFINET Cable	4	0	22	5	
=V1WR1UQ52KF1-KF100.11-P12	=V1KF1+V1UC46-KF100.46-P4	=V1WR1UQ52KF1+V1WR1UQ52-KF1-TP1	PROFINET Cable	4	0	22	2	
=V1WR1UQ52KF2-KF1-P2	=V1WR1UQ52KF1+V1WR1UQ52-KF1-TP2	=V1WR1UQ52KF2+V1WR1UQ52-KF2-TP1	PROFINET Cable	4	0	22	2	
=V1WR1WC1-KF100.11-P13	=V1KF1+V1UC11-KF100.11-P13	=V1WR1WC1+V1WR1UC01-X150	PROFINET Cable	4	1	22	12	
=V1WC1-GND1	=WC1+V1UC161-WC1	=V1WC1+V1UC161-GND	RK	1	0	2		
=V1WC1-GND1	=V1WC1+V1UC11-PE	=V1WC1+V1UC11-GND	RK	1	0	6		
=V1AR21XQ11WC1-W1	=V1AR21XQ11WC1+V1AR21XQ11UC01-XG1	=V1WC2+V1UC161-XG1	TC-ER	4	4	1	7.62	Max.
		=V1WC2+V1UC161-XG2						
=V1AR22XQ11WC1-W1	=V1AR22XQ11WC1+V1AR22XQ11UC01-XG1	=V1WC2+V1UC161-XG1	TC-ER	4	4	1	7.62	Max.
		=V1WC2+V1UC161-XG2						
=V1WR1WC1-W1		=V1WR1WC1+V1WR1UC01-PE	TC-ER	4	4	2	12	
	=V1WR1+V1UC11-FC1	=V1WR1WC1+V1WR1UC01-Q1						
=V1BX11WC3-W1	=V1WC3+V1UC11-XD2	=V1BX11WC3+V1BX11UC01-Q1	TC-ER	3	3	8	8	
	=V1BX11WC3+V1BX11UC01-PE	=V1WC3+V1UC11-PE						
=KF0WC3-W1	=KF0WC3+UC31-XD1	=V1WC3+V1UC11-XD1	TC-ER	3	3	10	25	
		=V1WC3+V1UC11-PE						
=V1AR21WC1-W1		=V1AR21WC1+V1AR21UC01-PE	TC-ER	4	4	10	18	
	=V1AR21+V1UC11-FC1	=V1AR21WC1+V1AR21UC01-Q1						
=V1AR22WC1-W1		=V1AR22WC1+V1AR22UC01-PE	TC-ER	4	4	10	15	
	=V1AR22+V1UC11-FC1	=V1AR22WC1+V1AR22UC01-Q1						
=V1AR41WC1-W1		=V1AR41WC1+V1AR41UC01-PE	TC-ER	4	4	10	30	Power Robot
	=V1AR41+V1UC11-FC1	=V1AR41WC1+V1AR41UC01-Q1						
=V1AR191WC1-W1		=V1AR191WC1+V1AR191UC01-PE	TC-ER	4	4	10	20	
	=V1AR191+V1UC11-FC1	=V1AR191WC1+V1AR191UC01-Q1						
=V1WC3-W1	=V1WC3+V1UC11-XD2	=V1WC3+V1UC14-XD1	TC-ER	3	3	10	35	
	=V1WC3+V1UC11-PE							
=KH0-W1	=V1KF1+V1UC11-KF11.14	=KH0+KH0-BP1	TPE	4	4	18	10	Air supply
	=V1WC4+V1UC11-XD10							
	=V1WC4+V1UC11-XD13							
=KH0-W2	=V1KF1+V1UC11-KF11.14	=KH0+KH0-BP2	TPE	4	4	18	10	Air supply
	=V1WC4+V1UC11-XD10							
	=V1WC4+V1UC11-XD13							
=KH0-W3	=V1KF1+V1UC11-KF11.14	=KH0+KH0-BP3	TPE	4	4	18	10	Air supply
	=V1WC4+V1UC11-XD10							
	=V1WC4+V1UC11-XD13							
=KH0-W4	=V1KF1+V1UC14-KF14.12	=KH0+KH0-BP4	TPE	4	4	18	10	Air supply
	=V1WC4+V1UC14-XD10							
	=V1WC4+V1UC14-XD18							
=KH0-W5	=V1KF1+V1UC14-KF14.12	=KH0+KH0-BP5	TPE	4	4	18	10	Air supply

Cable overview

F10_001_Cable

Cable name	Source (from)	Target (to)	cable type	all conductors	Conductors used	Cross-section [mm]	Length [m]	remark
	=V1WC4+V1UC14-XD10							
	=V1WC4+V1UC14-XD18							
=KH3-W1	=V1KF1+V1UC11-KF11.14	=KH3+KH3-BF1	TPE	4	4	18	10	Air supply
	=V1WC4+V1UC11-XD10							
	=V1WC4+V1UC11-XD14							
=KH3-W2	=V1KF1+V1UC11-KF11.14	=KH3+KH3-BF2	TPE	4	4	18	10	Air supply
	=V1WC4+V1UC11-XD10							
	=V1WC4+V1UC11-XD14							
=V1AR41UQ41BG0-W1	=V1AR41UQ41BG0+V1AR41UQ41-XG1/2	=V1AR41UQ41KF1+V1AR41UQ41-KF1.12-X1	TPE	4	4	18	0.5	
=V1AR41UQ41BG0-W1.1	=V1AR41UQ41BG0+V1AR41UQ41-BG01	=V1AR41UQ41BG0+V1AR41UQ41-XG1/2	TPE	4	3	18	2	
=V1AR41UQ41BG0-W1.2	=V1AR41UQ41BG0+V1AR41UQ41-BG02	=V1AR41UQ41BG0+V1AR41UQ41-XG1/2	TPE	4	3	18	2	
=V1AR41UQ41BG0-W2	=V1AR41UQ41BG0+V1AR41UQ41-XG3/4	=V1AR41UQ41KF1+V1AR41UQ41-KF1.12-X2	TPE	4	4	18	0.5	
=V1AR41UQ41BG0-W2.1	=V1AR41UQ41BG0+V1AR41UQ41-BG03	=V1AR41UQ41BG0+V1AR41UQ41-XG3/4	TPE	4	3	18	2	
=V1AR41UQ41BG0-W2.2	=V1AR41UQ41BG0+V1AR41UQ41-BG04	=V1AR41UQ41BG0+V1AR41UQ41-XG3/4	TPE	4	3	18	3	
=V1AR41UQ41BG0-W3	=V1AR41UQ41BG0+V1AR41UQ41-XG5/6	=V1AR41UQ41KF1+V1AR41UQ41-KF1.12-X3	TPE	4	4	18	2	
=V1AR41UQ41BG0-W3.1	=V1AR41UQ41BG0+V1AR41UQ41-BG05	=V1AR41UQ41BG0+V1AR41UQ41-XG5/6	TPE	4	3	18	0.5	
=V1AR41UQ41BG0-W3.2	=V1AR41UQ41BG0+V1AR41UQ41-BG06	=V1AR41UQ41BG0+V1AR41UQ41-XG5/6	TPE	4	3	18	0.5	
=V1AR41UQ41UQ1.1-W1	=V1AR41UQ41KF1+V1AR41UQ41-KF1.11-X1	=V1AR41UQ41UQ1.1+V1AR41UQ41UQ1.1-BGS/R	TPE	4	4	18	2	
=V1AR41UQ41UQ1.2-W1	=V1AR41UQ41KF1+V1AR41UQ41-KF1.11-X2	=V1AR41UQ41UQ1.2+V1AR41UQ41UQ1.2-BGS/R	TPE	4	4	18	1	
=V1AR41UQ41UQ1.3-W1	=V1AR41UQ41KF1+V1AR41UQ41-KF1.11-X3	=V1AR41UQ41UQ1.3+V1AR41UQ41UQ1.3-BGS/R	TPE	4	4	18	1	
=V1AR41UQ41UQ1.4-W1	=V1AR41UQ41KF1+V1AR41UQ41-KF1.11-X4	=V1AR41UQ41UQ1.4+V1AR41UQ41UQ1.4-BGS/R	TPE	4	4	18	1	
=V1AR41UQ41UQ2.1-W1	=V1AR41UQ41KF1+V1AR41UQ41-KF1.11-X5	=V1AR41UQ41UQ2.1+V1AR41UQ41UQ2.1-BGS/R	TPE	4	4	18	2	
=V1AR41UQ41UQ2.2-W1	=V1AR41UQ41KF1+V1AR41UQ41-KF1.11-X6	=V1AR41UQ41UQ2.2+V1AR41UQ41UQ2.2-BGS/R	TPE	4	4	18	2	
=V1AR41UQ41UQ2.3-W1	=V1AR41UQ41KF1+V1AR41UQ41-KF1.11-X7	=V1AR41UQ41UQ2.3+V1AR41UQ41UQ2.3-BGS/R	TPE	4	4	18	2	
=V1AR41UQ41UQ2.4-W1	=V1AR41UQ41KF1+V1AR41UQ41-KF1.11-X8	=V1AR41UQ41UQ2.4+V1AR41UQ41UQ2.4-BGS/R	TPE	4	4	18	2	
=V1FG1BG0-W1	=V1FG1BG0+V1FG1-XG1/2	=V1FG1KF1+V1FG1-KF1.11-X5	TPE	4	4	18	0.5	
=V1FG1BG0-W1.1	=V1FG1BG0+V1FG1-BG01	=V1FG1BG0+V1FG1-XG1/2	TPE	4	3	18	5	
=V1FG1BG0-W1.2	=V1FG1BG0+V1FG1-BG02	=V1FG1BG0+V1FG1-XG1/2	TPE	4	3	18	6	
=V1FG1BG0-W2	=V1FG1BG0+V1FG1-XG3/4	=V1FG1KF1+V1FG1-KF1.11-X6	TPE	4	4	18	5	
=V1FG1BG0-W2.1	=V1FG1BG0+V1FG1-BG03	=V1FG1BG0+V1FG1-XG3/4	TPE	4	3	18	0.5	
=V1FG1BG0-W2.2	=V1FG1BG0+V1FG1-BG04	=V1FG1BG0+V1FG1-XG3/4	TPE	4	3	18	1	
=V1FG1UQ1.1-W1	=V1FG1KF1+V1FG1-KF1.11-X1	=V1FG1UQ1.1+V1FG1UQ1.1-XGR/S	TPE	4	4	18	2	
=V1FG1UQ1.1-W1.1	=V1FG1UQ1.1+V1FG1UQ1.1-BGR	=V1FG1UQ1.1+V1FG1UQ1.1-XGR/S	TPE	4	3	18	0.5	
=V1FG1UQ1.1-W1.2	=V1FG1UQ1.1+V1FG1UQ1.1-BGS	=V1FG1UQ1.1+V1FG1UQ1.1-XGR/S	TPE	4	3	18	0.5	
=V1FG2BG0-W1	=V1FG2BG0+V1FG2-XG1/2	=V1FG2KF1+V1FG2-KF1.11-X5	TPE	4	4	18	0.5	
=V1FG2BG0-W1.1	=V1FG2BG0+V1FG2-BG01	=V1FG2BG0+V1FG2-XG1/2	TPE	4	3	18	5	
=V1FG2BG0-W1.2	=V1FG2BG0+V1FG2-BG02	=V1FG2BG0+V1FG2-XG1/2	TPE	4	3	18	6	
=V1FG2BG0-W2	=V1FG2BG0+V1FG2-XG3/4	=V1FG2KF1+V1FG2-KF1.11-X6	TPE	4	4	18	5	
=V1FG2BG0-W2.1	=V1FG2BG0+V1FG2-BG03	=V1FG2BG0+V1FG2-XG3/4	TPE	4	3	18	0.5	
=V1FG2BG0-W2.2	=V1FG2BG0+V1FG2-BG04	=V1FG2BG0+V1FG2-XG3/4	TPE	4	3	18	1	
=V1FG2UQ1.1-W1	=V1FG2KF1+V1FG2-KF1.11-X1	=V1FG2UQ1.1+V1FG2UQ1.1-XGR/S	TPE	4	4	18	2	
=V1FG2UQ1.1-W1.1	=V1FG2UQ1.1+V1FG2UQ1.1-BGR	=V1FG2UQ1.1+V1FG2UQ1.1-XGR/S	TPE	4	3	18	0.5	
=V1FG2UQ1.1-W1.2	=V1FG2UQ1.1+V1FG2UQ1.1-BGS	=V1FG2UQ1.1+V1FG2UQ1.1-XGR/S	TPE	4	3	18	0.5	

Date	1/17/2023	Volvo Trucks North America	Valiant TMS	Cable overview	Drawing name:	=		
Ed.	MKLEPADLO	 P6700 Roof Inr & Dr Ring LH - Cell 2V07	 Scale 1:1		=2V07&EFS-EL	+		
Appr					Document type:	Project nr:	Page	4
Modification	Date	Name	Original	Replacement of	Replaced by	EMC	22-16144	509

Cable overview

F10_001_Cable

Cable name	Source (from)	Target (to)	cable type	all conductors	Conductors used	Cross-section [mm]	Length [m]	remark
=V1FQ1-W11R	=V1FQ1+V1FQ1-BR11-R	=V1FQ1+V1FQ1-BR11-T =V1KF1+V1UC11-KF11.31	TPE	4	4	18	35	
=V1FQ1-W11T			TPE	4	0	18	30	
=V1FQ1-W13R	=V1FQ1+V1FQ1-BR13-R	=V1FQ1+V1FQ1-BR13-T =V1KF1+V1UC11-KF11.31	TPE	4	4	18	35	
=V1FQ1-W13T			TPE	4	0	18	30	
=V1FQ1-W14R	=V1FQ1+V1FQ1-BR14-R	=V1FQ1+V1FQ1-BR14-T =V1KF1+V1UC14-KF14.31	TPE	4	4	18	25	
=V1FQ1-W14T			TPE	4	0	18	25	
=V1FQ1-W15R	=V1FQ1+V1FQ1-BR15-R	=V1FQ1+V1FQ1-BR15-T =V1KF1+V1UC14-KF14.31	TPE	4	4	18	25	
=V1FQ1-W15T			TPE	4	0	18	20	
=V1FQ1-W16R	=V1FQ1+V1FQ1-BR16-R	=V1FQ1+V1FQ1-BR16-T =V1KF1+V1UC14-KF14.31	TPE	4	4	18	30	
=V1FQ1-W16T			TPE	4	0	18	25	
=V1FQ1-W17R	=V1FQ1+V1FQ1-BR17-R	=V1FQ1+V1FQ1-BR17-T =V1KF1+V1UC14-KF14.31	TPE	4	4	18	30	
=V1FQ1-W17T			TPE	4	0	18	25	
=V1FQ1+.WR1-W1			TPE	5	0	18	6	
=V1FQ1+.WR1-W2			TPE	5	0	18	6	
=V1FQ1+.WR1-W3			TPE	5	0	18	6	
=V1FQ1+.WR1-W4			TPE	5	0	18	6	
=V1FQ1+.WR1-W5			TPE	5	0	18	15	
=V1FQ1+.WR1-W6			TPE	5	0	18	6	
=V1GL15UQ51BG0-W1	=V1GL15UQ51BG0+V1GL15UQ51-XG1/2	=V1GL15UQ51KF1+V1GL15UQ51-KF1.12-X1	TPE	4	4	18	3	
=V1GL15UQ51BG0-W1.1	=V1GL15UQ51BG0+V1GL15UQ51-BG01	=V1GL15UQ51BG0+V1GL15UQ51-XG1/2	TPE	4	3	18	1	
=V1GL15UQ51BG0-W1.2	=V1GL15UQ51BG0+V1GL15UQ51-BG02	=V1GL15UQ51BG0+V1GL15UQ51-XG1/2	TPE	4	3	18	1	
=V1GL15UQ51BG0-W2	=V1GL15UQ51BG0+V1GL15UQ51-XG3/4	=V1GL15UQ51KF1+V1GL15UQ51-KF1.12-X2	TPE	4	4	18	1	
=V1GL15UQ51BG0-W2.1	=V1GL15UQ51BG0+V1GL15UQ51-BG03	=V1GL15UQ51BG0+V1GL15UQ51-XG3/4	TPE	4	3	18	2	
=V1GL15UQ51BG0-W2.2	=V1GL15UQ51BG0+V1GL15UQ51-BG04	=V1GL15UQ51BG0+V1GL15UQ51-XG3/4	TPE	4	3	18	2	
=V1GL15UQ51BG0-W3	=V1GL15UQ51BG0+V1GL15UQ51-XG5/11	=V1GL15UQ51KF1+V1GL15UQ51-KF1.12-X3	TPE	4	4	18	1	
=V1GL15UQ51BG0-W3.1	=V1GL15UQ51BG0+V1GL15UQ51-BG10	=V1GL15UQ51BG0+V1GL15UQ51-XG5/11	TPE	4	3	18	2	
=V1GL15UQ51BG0-W3.2	=V1GL15UQ51BG0+V1GL15UQ51-BG11	=V1GL15UQ51BG0+V1GL15UQ51-XG5/11	TPE	4	3	18	2	
=V1GL15UQ51UQ1.1-W1	=V1GL15UQ51KF1+V1GL15UQ51-KF1.11-X1	=V1GL15UQ51UQ1.1+V1GL15UQ51UQ1.1-XGR/S	TPE	4	4	18	4	
=V1GL15UQ51UQ1.1-W1.1	=V1GL15UQ51UQ1.1+V1GL15UQ51UQ1.1-BGR	=V1GL15UQ51UQ1.1+V1GL15UQ51UQ1.1-XGR/S	TPE	4	3	18	0.5	
=V1GL15UQ51UQ1.1-W1.2	=V1GL15UQ51UQ1.1+V1GL15UQ51UQ1.1-BGS	=V1GL15UQ51UQ1.1+V1GL15UQ51UQ1.1-XGR/S	TPE	4	3	18	0.5	
=V1GL15UQ51UQ2.1-W1	=V1GL15UQ51KF1+V1GL15UQ51-KF1.11-X2	=V1GL15UQ51UQ2.1+V1GL15UQ51UQ2.1-XGR/S	TPE	4	4	18	4	
=V1GL15UQ51UQ2.1-W1.1	=V1GL15UQ51UQ2.1+V1GL15UQ51UQ2.1-BGR	=V1GL15UQ51UQ2.1+V1GL15UQ51UQ2.1-XGR/S	TPE	4	3	18	0.5	
=V1GL15UQ51UQ2.1-W1.2	=V1GL15UQ51UQ2.1+V1GL15UQ51UQ2.1-BGS	=V1GL15UQ51UQ2.1+V1GL15UQ51UQ2.1-XGR/S	TPE	4	3	18	0.5	
=V1GL15UQ51UQ6.1-W1	=V1GL15UQ51KF1+V1GL15UQ51-KF1.11-X3	=V1GL15UQ51UQ6.1+V1GL15UQ51UQ6.1-XGR/S	TPE	4	4	18	4	
=V1GL15UQ51UQ6.1-W1.1	=V1GL15UQ51UQ6.1+V1GL15UQ51UQ6.1-BGR	=V1GL15UQ51UQ6.1+V1GL15UQ51UQ6.1-XGR/S	TPE	4	3	18	0.5	
=V1GL15UQ51UQ6.1-W1.2	=V1GL15UQ51UQ6.1+V1GL15UQ51UQ6.1-BGS	=V1GL15UQ51UQ6.1+V1GL15UQ51UQ6.1-XGR/S	TPE	4	3	18	0.5	
=V1U10FQ1-W1	=V1KF1+V1UC11-KF11.32	=V1U10FQ1+V1U10-BG01	TPE	4	4	18	20	
=V1U10U01PF1-W1.1	=V1U10U01KF1+V1U10U01-KF1.11	=V1U10U01PF1+V1U10U01-PF1-Branch1	TPE	4	4	18	5	
=V1U10U01PF1-W1.2	=V1U10U01KF1+V1U10U01-KF1.11	=V1U10U01PF1+V1U10U01-PF1-Branch2	TPE	4	4	18	5	
=V1U50FQ1-W1	=V1KF1+V1UC11-KF11.32	=V1U50FQ1+V1U50-BG01	TPE	4	4	18	20	

Cable overview

F10_001_Cable

Cable name	Source (from)	Target (to)	cable type	all conductors	Conductors used	Cross-section [mm]	Length [m]	remark
=V1U50U01PF1-W1.1	=V1U50U01KF1+V1U50U01-KF1.11	=V1U50U01PF1+V1U50U01-PF1-Branch1	TPE	4	4	18	5	
=V1U50U01PF1-W1.2	=V1U50U01KF1+V1U50U01-KF1.11	=V1U50U01PF1+V1U50U01-PF1-Branch2	TPE	4	4	18	5	
=V1U50U01PF2-W1.1	=V1U50U01KF1+V1U50U01-KF1.11	=V1U50U01PF2+V1U50U01-PF1-Branch1	TPE	4	4	18	15	
=V1U50U01PF2-W1.2	=V1U50U01KF1+V1U50U01-KF1.11	=V1U50U01PF2+V1U50U01-PF1-Branch2	TPE	4	4	18	15	
=V1UN1BG0-W1	=V1UN1BG0+V1UN1-BG01	=V1UN1KF1+V1UN1-KF1.11	TPE	4	3	18	2	
=V1UN1BG0-W2	=V1UN1BG0+V1UN1-XG2/3	=V1UN1KF1+V1UN1-KF1.11	TPE	4	4	18	5	
=V1UN1BG0-W2.1	=V1UN1BG0+V1UN1-BG02	=V1UN1BG0+V1UN1-XG2/3	TPE	4	3	18	0.5	
=V1UN1BG0-W2.2	=V1UN1BG0+V1UN1-BG03	=V1UN1BG0+V1UN1-XG2/3	TPE	4	3	18	0.5	
=V1UN1BG0-W3	=V1UN1BG0+V1UN1-BG04	=V1UN1KF1+V1UN1-KF1.11	TPE	4	3	18	5	
=V1UN1PF1-W1.1	=V1UN1KF1+V1UN1-KF1.11	=V1UN1PF1+V1UN1-PF1-Branch1	TPE	4	4	18	10	
=V1UN1PF1-W1.2	=V1UN1KF1+V1UN1-KF1.11	=V1UN1PF1+V1UN1-PF1-Branch2	TPE	4	4	18	10	
=V1UQ51BG0-W1	=V1UQ51BG0+V1UQ51-XG1/2	=V1UQ51KF1+V1UQ51-KF1.11-X5	TPE	4	4	18	0.5	
=V1UQ51BG0-W1.1	=V1UQ51BG0+V1UQ51-BG01	=V1UQ51BG0+V1UQ51-XG1/2	TPE	4	3	18	4	
=V1UQ51BG0-W1.2	=V1UQ51BG0+V1UQ51-BG02	=V1UQ51BG0+V1UQ51-XG1/2	TPE	4	3	18	4	
=V1UQ51UQ1.1-W1	=V1UQ51KF1+V1UQ51-KF1.11-X1	=V1UQ51UQ1.1+V1UQ51UQ1.1-BGS/R	TPE	4	4	18	3	
=V1UQ51UQ1.2-W1	=V1UQ51KF1+V1UQ51-KF1.11-X2	=V1UQ51UQ1.2+V1UQ51UQ1.2-BGS/R	TPE	4	4	18	5	
=V1UQ51UQ1.3-W1	=V1UQ51KF1+V1UQ51-KF1.11-X3	=V1UQ51UQ1.3+V1UQ51UQ1.3-BGS/R	TPE	4	4	18	3	
=V1UQ51UQ1.4-W1	=V1UQ51KF1+V1UQ51-KF1.11-X4	=V1UQ51UQ1.4+V1UQ51UQ1.4-BGS/R	TPE	4	4	18	4	
=V1WR1BG0-W1	=V1WR1BG0+V1WR1-BG01	=V1WR1KF1+V1WR1-KF1.11	TPE	4	3	18	4	
=V1WR1BG0-W2	=V1WR1BG0+V1WR1-BG02	=V1WR1KF1+V1WR1-KF1.11	TPE	4	3	18	4	
=V1WR1BG0-W3	=V1WR1BG0+V1WR1-BG03	=V1WR1KF1+V1WR1-KF1.11	TPE	4	3	18	4	
=V1WR1BG0-W4	=V1WR1BG0+V1WR1-BG04	=V1WR1KF1+V1WR1-KF1.11	TPE	4	3	18	4	
=V1WR1BG0-W5	=V1WR1BG0+V1WR1-BG05	=V1WR1KF1+V1WR1-KF1.11	TPE	4	3	18	4	
=V1WR1UQ51BG0-W1	=V1WR1UQ51BG0+V1WR1UQ51-XG1/2	=V1WR1UQ51KF1+V1WR1UQ51-KF1.13-X1	TPE	4	4	18	0.5	
=V1WR1UQ51BG0-W1.1	=V1WR1UQ51BG0+V1WR1UQ51-BG01	=V1WR1UQ51BG0+V1WR1UQ51-XG1/2	TPE	4	3	18	2	
=V1WR1UQ51BG0-W1.2	=V1WR1UQ51BG0+V1WR1UQ51-BG02	=V1WR1UQ51BG0+V1WR1UQ51-XG1/2	TPE	4	3	18	3	
=V1WR1UQ51BG0-W2	=V1WR1UQ51BG0+V1WR1UQ51-XG3/4	=V1WR1UQ51KF1+V1WR1UQ51-KF1.13-X2	TPE	4	4	18	0.5	
=V1WR1UQ51BG0-W2.1	=V1WR1UQ51BG0+V1WR1UQ51-BG03	=V1WR1UQ51BG0+V1WR1UQ51-XG3/4	TPE	4	3	18	3	
=V1WR1UQ51BG0-W2.2	=V1WR1UQ51BG0+V1WR1UQ51-BG04	=V1WR1UQ51BG0+V1WR1UQ51-XG3/4	TPE	4	3	18	2	
=V1WR1UQ51BG0-W3	=V1WR1UQ51BG0+V1WR1UQ51-XG5/6	=V1WR1UQ51KF1+V1WR1UQ51-KF1.13-X3	TPE	4	4	18	0.5	
=V1WR1UQ51BG0-W3.1	=V1WR1UQ51BG0+V1WR1UQ51-BG05	=V1WR1UQ51BG0+V1WR1UQ51-XG5/6	TPE	4	3	18	3	
=V1WR1UQ51BG0-W3.2	=V1WR1UQ51BG0+V1WR1UQ51-BG06	=V1WR1UQ51BG0+V1WR1UQ51-XG5/6	TPE	4	3	18	2	
=V1WR1UQ51BG0-W4	=V1WR1UQ51BG0+V1WR1UQ51-BG07	=V1WR1UQ51KF1+V1WR1UQ51-KF1.13-X4	TPE	4	3	18	4	
=V1WR1UQ51UQ1.1-W1	=V1WR1UQ51KF1+V1WR1UQ51-KF1.11-X1	=V1WR1UQ51UQ1.1+V1WR1UQ51UQ1.1-BGS/R	TPE	4	4	18	2	
=V1WR1UQ51UQ1.2-W1	=V1WR1UQ51KF1+V1WR1UQ51-KF1.11-X2	=V1WR1UQ51UQ1.2+V1WR1UQ51UQ1.2-BGS/R	TPE	4	4	18	3	
=V1WR1UQ51UQ1.3-W1	=V1WR1UQ51KF1+V1WR1UQ51-KF1.11-X3	=V1WR1UQ51UQ1.3+V1WR1UQ51UQ1.3-BGS/R	TPE	4	4	18	3	
=V1WR1UQ51UQ1.4-W1	=V1WR1UQ51KF1+V1WR1UQ51-KF1.11-X4	=V1WR1UQ51UQ1.4+V1WR1UQ51UQ1.4-BGS/R	TPE	4	4	18	2	
=V1WR1UQ51UQ1.5-W1	=V1WR1UQ51KF1+V1WR1UQ51-KF1.11-X5	=V1WR1UQ51UQ1.5+V1WR1UQ51UQ1.5-BGS/R	TPE	4	4	18	3	
=V1WR1UQ51UQ2.1-W1	=V1WR1UQ51KF1+V1WR1UQ51-KF1.11-X6	=V1WR1UQ51UQ2.1+V1WR1UQ51UQ2.1-BGS/R	TPE	4	4	18	2	
=V1WR1UQ51UQ3.1-W1	=V1WR1UQ51KF1+V1WR1UQ51-KF1.11-X7	=V1WR1UQ51UQ3.1+V1WR1UQ51UQ3.1-BGS/R	TPE	4	4	18	3	
=V1WR1UQ51UQ4.1-W1	=V1WR1UQ51KF1+V1WR1UQ51-KF1.11-X8	=V1WR1UQ51UQ4.1+V1WR1UQ51UQ4.1-BGS/R	TPE	4	4	18	2	
=V1WR1UQ51UQ4.2-W1	=V1WR1UQ51KF1+V1WR1UQ51-KF1.12-X1	=V1WR1UQ51UQ4.2+V1WR1UQ51UQ4.2-BGS/R	TPE	4	4	18	3	
=V1WR1UQ51UQ4.3-W1	=V1WR1UQ51KF1+V1WR1UQ51-KF1.12-X2	=V1WR1UQ51UQ4.3+V1WR1UQ51UQ4.3-BGS/R	TPE	4	4	18	3	
=V1WR1UQ51UQ4.4-W1	=V1WR1UQ51KF1+V1WR1UQ51-KF1.12-X3	=V1WR1UQ51UQ4.4+V1WR1UQ51UQ4.4-BGS/R	TPE	4	4	18	3	
=V1WR1UQ51UQ4.5-W1	=V1WR1UQ51KF1+V1WR1UQ51-KF1.12-X4	=V1WR1UQ51UQ4.5+V1WR1UQ51UQ4.5-BGS/R	TPE	4	4	18	2	
=V1WR1UQ51UQ4.6-W1	=V1WR1UQ51KF1+V1WR1UQ51-KF1.12-X5	=V1WR1UQ51UQ4.6+V1WR1UQ51UQ4.6-BGS/R	TPE	4	4	18	2	

Date	1/17/2023	Volvo Trucks North America	Valiant TMS	Cable overview	Drawing name:	=		
Ed.	MKLEPADLO	P6700 Roof Inr & Dr Ring LH - Cell 2V07	Scale 1:1		=2V07&EFS-EL	+		
Appr					Document type:	Project nr:	Page	6
Modification	Date	Name	Original	Replacement of	Replaced by	EMC	22-16144	509

Cable overview

F10_001_Cable

Cable name	Source (from)	Target (to)	cable type	all conductors	Conductors used	Cross-section [mm]	Length [m]	remark
=V1WR1UQ51UQ5.1-W1	=V1WR1UQ51KF1+V1WR1UQ51-KF1.12-X6	=V1WR1UQ51UQ5.1+V1WR1UQ51UQ5.1-BGS/R	TPE	4	4	18	2	
=V1WR1UQ51UQ5.2-W1	=V1WR1UQ51KF1+V1WR1UQ51-KF1.12-X7	=V1WR1UQ51UQ5.2+V1WR1UQ51UQ5.2-BGS/R	TPE	4	4	18	2	
=V1WR1UQ51UQ5.3-W1	=V1WR1UQ51KF1+V1WR1UQ51-KF1.12-X8	=V1WR1UQ51UQ5.3+V1WR1UQ51UQ5.3-BGS/R	TPE	4	4	18	2	
=V1WR1UQ52BG0-W1	=V1WR1UQ52BG0+V1WR1UQ52-XG1/2	=V1WR1UQ52KF1+V1WR1UQ52-KF1.15-X5	TPE	4	4	18	0.5	
=V1WR1UQ52BG0-W1.1	=V1WR1UQ52BG0+V1WR1UQ52-BG01	=V1WR1UQ52BG0+V1WR1UQ52-XG1/2	TPE	4	3	18	3	
=V1WR1UQ52BG0-W1.2	=V1WR1UQ52BG0+V1WR1UQ52-BG02	=V1WR1UQ52BG0+V1WR1UQ52-XG1/2	TPE	4	3	18	2	
=V1WR1UQ52BG0-W2	=V1WR1UQ52BG0+V1WR1UQ52-XG3/4	=V1WR1UQ52KF1+V1WR1UQ52-KF1.15-X6	TPE	4	4	18	0.5	
=V1WR1UQ52BG0-W2.1	=V1WR1UQ52BG0+V1WR1UQ52-BG03	=V1WR1UQ52BG0+V1WR1UQ52-XG3/4	TPE	4	3	18	3	
=V1WR1UQ52BG0-W2.2	=V1WR1UQ52BG0+V1WR1UQ52-BG04	=V1WR1UQ52BG0+V1WR1UQ52-XG3/4	TPE	4	3	18	2	
=V1WR1UQ52BG0-W3	=V1WR1UQ52BG0+V1WR1UQ52-XG5/6	=V1WR1UQ52KF1+V1WR1UQ52-KF1.15-X7	TPE	4	4	18	0.5	
=V1WR1UQ52BG0-W3.1	=V1WR1UQ52BG0+V1WR1UQ52-BG05	=V1WR1UQ52BG0+V1WR1UQ52-XG5/6	TPE	4	3	18	4	
=V1WR1UQ52BG0-W3.2	=V1WR1UQ52BG0+V1WR1UQ52-BG06	=V1WR1UQ52BG0+V1WR1UQ52-XG5/6	TPE	4	3	18	3	
=V1WR1UQ52BG0-W4	=V1WR1UQ52BG0+V1WR1UQ52-XG7/8	=V1WR1UQ52KF2+V1WR1UQ52-KF2.12-X5	TPE	4	4	18	0.5	
=V1WR1UQ52BG0-W4.1	=V1WR1UQ52BG0+V1WR1UQ52-BG07	=V1WR1UQ52BG0+V1WR1UQ52-XG7/8	TPE	4	3	18	4	
=V1WR1UQ52BG0-W4.2	=V1WR1UQ52BG0+V1WR1UQ52-BG08	=V1WR1UQ52BG0+V1WR1UQ52-XG7/8	TPE	4	3	18	4	
=V1WR1UQ52BG0-W5	=V1WR1UQ52BG0+V1WR1UQ52-XG9/10	=V1WR1UQ52KF2+V1WR1UQ52-KF2.12-X6	TPE	4	4	18	0.5	
=V1WR1UQ52BG0-W5.1	=V1WR1UQ52BG0+V1WR1UQ52-BG09	=V1WR1UQ52BG0+V1WR1UQ52-XG9/10	TPE	4	3	18	2	
=V1WR1UQ52BG0-W5.2	=V1WR1UQ52BG0+V1WR1UQ52-BG10	=V1WR1UQ52BG0+V1WR1UQ52-XG9/10	TPE	4	3	18	2	
=V1WR1UQ52BG0-W6	=V1WR1UQ52BG0+V1WR1UQ52-XG11/12	=V1WR1UQ52KF2+V1WR1UQ52-KF2.12-X7	TPE	4	4	18	0.5	
=V1WR1UQ52BG0-W6.1	=V1WR1UQ52BG0+V1WR1UQ52-BG11	=V1WR1UQ52BG0+V1WR1UQ52-XG11/12	TPE	4	3	18	3	
=V1WR1UQ52BG0-W6.2	=V1WR1UQ52BG0+V1WR1UQ52-BG12	=V1WR1UQ52BG0+V1WR1UQ52-XG11/12	TPE	4	3	18	3	
=V1WR1UQ52BG0-W7	=V1WR1UQ52BG0+V1WR1UQ52-XG13/14	=V1WR1UQ52KF2+V1WR1UQ52-KF2.12-X8	TPE	4	4	18	0.5	
=V1WR1UQ52BG0-W7.1	=V1WR1UQ52BG0+V1WR1UQ52-BG13	=V1WR1UQ52BG0+V1WR1UQ52-XG13/14	TPE	4	3	18	4	
=V1WR1UQ52BG0-W7.2	=V1WR1UQ52BG0+V1WR1UQ52-BG14	=V1WR1UQ52BG0+V1WR1UQ52-XG13/14	TPE	4	3	18	3	
=V1WR1UQ52BG0-W8	=V1WR1UQ52BG0+V1WR1UQ52-XG15/16	=V1WR1UQ52KF2+V1WR1UQ52-KF2.13-X1	TPE	4	4	18	0.5	
=V1WR1UQ52BG0-W8.1	=V1WR1UQ52BG0+V1WR1UQ52-BG15	=V1WR1UQ52BG0+V1WR1UQ52-XG15/16	TPE	4	3	18	3	
=V1WR1UQ52BG0-W8.2	=V1WR1UQ52BG0+V1WR1UQ52-BG16	=V1WR1UQ52BG0+V1WR1UQ52-XG15/16	TPE	4	3	18	5	
=V1WR1UQ52BG0-W9	=V1WR1UQ52BG0+V1WR1UQ52-XG17/18	=V1WR1UQ52KF2+V1WR1UQ52-KF2.13-X2	TPE	4	4	18	0.5	
=V1WR1UQ52BG0-W9.1	=V1WR1UQ52BG0+V1WR1UQ52-BG17	=V1WR1UQ52BG0+V1WR1UQ52-XG17/18	TPE	4	3	18	4	
=V1WR1UQ52BG0-W9.2	=V1WR1UQ52BG0+V1WR1UQ52-BG18	=V1WR1UQ52BG0+V1WR1UQ52-XG17/18	TPE	4	3	18	6	
=V1WR1UQ52BG0-W10	=V1WR1UQ52BG0+V1WR1UQ52-BG19	=V1WR1UQ52KF2+V1WR1UQ52-KF2.13-X3	TPE	4	3	18	5	
=V1WR1UQ52UQ1.1-W1	=V1WR1UQ52KF1+V1WR1UQ52-KF1.11-X1	=V1WR1UQ52UQ1.1+V1WR1UQ52UQ1.1-XGR/S	TPE	4	4	18	4	
=V1WR1UQ52UQ1.1-W1.1	=V1WR1UQ52UQ1.1+V1WR1UQ52UQ1.1-BGR	=V1WR1UQ52UQ1.1+V1WR1UQ52UQ1.1-XGR/S	TPE	4	3	18	0.5	
=V1WR1UQ52UQ1.1-W1.2	=V1WR1UQ52UQ1.1+V1WR1UQ52UQ1.1-BGS	=V1WR1UQ52UQ1.1+V1WR1UQ52UQ1.1-XGR/S	TPE	4	3	18	0.5	
=V1WR1UQ52UQ1.2-W1	=V1WR1UQ52KF1+V1WR1UQ52-KF1.11-X2	=V1WR1UQ52UQ1.2+V1WR1UQ52UQ1.2-XGR/S	TPE	4	4	18	2	
=V1WR1UQ52UQ1.2-W1.1	=V1WR1UQ52UQ1.2+V1WR1UQ52UQ1.2-BGR	=V1WR1UQ52UQ1.2+V1WR1UQ52UQ1.2-XGR/S	TPE	4	3	18	0.5	
=V1WR1UQ52UQ1.2-W1.2	=V1WR1UQ52UQ1.2+V1WR1UQ52UQ1.2-BGS	=V1WR1UQ52UQ1.2+V1WR1UQ52UQ1.2-XGR/S	TPE	4	3	18	0.5	
=V1WR1UQ52UQ1.3-W1	=V1WR1UQ52KF1+V1WR1UQ52-KF1.11-X3	=V1WR1UQ52UQ1.3+V1WR1UQ52UQ1.3-BGS/R	TPE	4	4	18	3	
=V1WR1UQ52UQ1.4-W1	=V1WR1UQ52KF1+V1WR1UQ52-KF1.11-X4	=V1WR1UQ52UQ1.4+V1WR1UQ52UQ1.4-BGS/R	TPE	4	4	18	2	
=V1WR1UQ52UQ1.5-W1	=V1WR1UQ52KF1+V1WR1UQ52-KF1.11-X5	=V1WR1UQ52UQ1.5+V1WR1UQ52UQ1.5-BGS/R	TPE	4	4	18	4	
=V1WR1UQ52UQ1.6-W1	=V1WR1UQ52KF1+V1WR1UQ52-KF1.11-X6	=V1WR1UQ52UQ1.6+V1WR1UQ52UQ1.6-BGS/R	TPE	4	4	18	3	
=V1WR1UQ52UQ2.1-W1	=V1WR1UQ52KF1+V1WR1UQ52-KF1.11-X7	=V1WR1UQ52UQ2.1+V1WR1UQ52UQ2.1-BGS/R	TPE	4	4	18	2	
=V1WR1UQ52UQ2.2-W1	=V1WR1UQ52KF1+V1WR1UQ52-KF1.11-X8	=V1WR1UQ52UQ2.2+V1WR1UQ52UQ2.2-BGS/R	TPE	4	4	18	1	
=V1WR1UQ52UQ2.3-W1	=V1WR1UQ52KF1+V1WR1UQ52-KF1.12-X1	=V1WR1UQ52UQ2.3+V1WR1UQ52UQ2.3-BGS/R	TPE	4	4	18	4	
=V1WR1UQ52UQ2.4-W1	=V1WR1UQ52KF1+V1WR1UQ52-KF1.12-X2	=V1WR1UQ52UQ2.4+V1WR1UQ52UQ2.4-BGS/R	TPE	4	4	18	5	
=V1WR1UQ52UQ2.5-W1	=V1WR1UQ52KF1+V1WR1UQ52-KF1.12-X3	=V1WR1UQ52UQ2.5+V1WR1UQ52UQ2.5-BGS/R	TPE	4	4	18	3	

Date	1/17/2023	Volvo Trucks North America	Valiant TMS	Cable overview	Drawing name:		=
Ed.	MKLEPADLO				=2V07&EFS-EL		+
Appr		P6700 Roof Inr & Dr Ring LH - Cell 2V07	Scale 1:1		Document type:	Project nr:	Page
Modification	Date				Replacement of	Replaced by	EMC
							509

Cable overview

F10_001_Cable

Cable name	Source (from)	Target (to)	cable type	all conductors	Conductors used	Cross-section [mm]	Length [m]	remark
=V1WR1UQ52UQ2.6-W1	=V1WR1UQ52KF1+V1WR1UQ52-KF1.12-X4	=V1WR1UQ52UQ2.6+V1WR1UQ52UQ2.6-BGS/R	TPE	4	4	18	3	
=V1WR1UQ52UQ3.1-W1	=V1WR1UQ52KF1+V1WR1UQ52-KF1.12-X5	=V1WR1UQ52UQ3.1+V1WR1UQ52UQ3.1-BGS/R	TPE	4	4	18	2	
=V1WR1UQ52UQ4.1-W1	=V1WR1UQ52KF1+V1WR1UQ52-KF1.12-X6	=V1WR1UQ52UQ4.1+V1WR1UQ52UQ4.1-BGS/R	TPE	4	4	18	5	
=V1WR1UQ52UQ4.2-W1	=V1WR1UQ52KF1+V1WR1UQ52-KF1.12-X7	=V1WR1UQ52UQ4.2+V1WR1UQ52UQ4.2-BGS/R	TPE	4	4	18	4	
=V1WR1UQ52UQ4.3-W1	=V1WR1UQ52KF1+V1WR1UQ52-KF1.12-X8	=V1WR1UQ52UQ4.3+V1WR1UQ52UQ4.3-BGS/R	TPE	4	4	18	5	
=V1WR1UQ52UQ4.4-W1	=V1WR1UQ52KF1+V1WR1UQ52-KF1.13-X1	=V1WR1UQ52UQ4.4+V1WR1UQ52UQ4.4-BGS/R	TPE	4	4	18	4	
=V1WR1UQ52UQ4.5-W1	=V1WR1UQ52KF1+V1WR1UQ52-KF1.15-X3	=V1WR1UQ52UQ4.5+V1WR1UQ52UQ4.5-BGS/R	TPE	4	4	18	4	
=V1WR1UQ52UQ5.1-W1	=V1WR1UQ52KF1+V1WR1UQ52-KF1.13-X2	=V1WR1UQ52UQ5.1+V1WR1UQ52UQ5.1-BGS/R	TPE	4	4	18	4	
=V1WR1UQ52UQ5.2-W1	=V1WR1UQ52KF1+V1WR1UQ52-KF1.13-X3	=V1WR1UQ52UQ5.2+V1WR1UQ52UQ5.2-BGS/R	TPE	4	4	18	4	
=V1WR1UQ52UQ5.3-W1	=V1WR1UQ52KF1+V1WR1UQ52-KF1.13-X4	=V1WR1UQ52UQ5.3+V1WR1UQ52UQ5.3-BGS/R	TPE	4	4	18	1	
=V1WR1UQ52UQ5.4-W1	=V1WR1UQ52KF1+V1WR1UQ52-KF1.13-X5	=V1WR1UQ52UQ5.4+V1WR1UQ52UQ5.4-BGS/R	TPE	4	4	18	3	
=V1WR1UQ52UQ5.5-W1	=V1WR1UQ52KF1+V1WR1UQ52-KF1.13-X6	=V1WR1UQ52UQ5.5+V1WR1UQ52UQ5.5-BGS/R	TPE	4	4	18	1	
=V1WR1UQ52UQ5.6-W1	=V1WR1UQ52KF1+V1WR1UQ52-KF1.13-X7	=V1WR1UQ52UQ5.6+V1WR1UQ52UQ5.6-BGS/R	TPE	4	4	18	4	
=V1WR1UQ52UQ6.1-W1	=V1WR1UQ52KF1+V1WR1UQ52-KF1.13-X8	=V1WR1UQ52UQ6.1+V1WR1UQ52UQ6.1-BGS/R	TPE	4	4	18	2	
=V1WR1UQ52UQ6.2-W1	=V1WR1UQ52KF1+V1WR1UQ52-KF1.14-X1	=V1WR1UQ52UQ6.2+V1WR1UQ52UQ6.2-BGS/R	TPE	4	4	18	4	
=V1WR1UQ52UQ6.3-W1	=V1WR1UQ52KF1+V1WR1UQ52-KF1.14-X2	=V1WR1UQ52UQ6.3+V1WR1UQ52UQ6.3-BGS/R	TPE	4	4	18	3	
=V1WR1UQ52UQ6.4-W1	=V1WR1UQ52KF1+V1WR1UQ52-KF1.14-X3	=V1WR1UQ52UQ6.4+V1WR1UQ52UQ6.4-BGS/R	TPE	4	4	18	4	
=V1WR1UQ52UQ6.5-W1	=V1WR1UQ52KF1+V1WR1UQ52-KF1.14-X4	=V1WR1UQ52UQ6.5+V1WR1UQ52UQ6.5-BGS/R	TPE	4	4	18	2	
=V1WR1UQ52UQ6.6-W1	=V1WR1UQ52KF1+V1WR1UQ52-KF1.14-X5	=V1WR1UQ52UQ6.6+V1WR1UQ52UQ6.6-BGS/R	TPE	4	4	18	4	
=V1WR1UQ52UQ7.1-W1	=V1WR1UQ52KF1+V1WR1UQ52-KF1.14-X6	=V1WR1UQ52UQ7.1+V1WR1UQ52UQ7.1-BGS/R	TPE	4	4	18	2	
=V1WR1UQ52UQ7.2-W1	=V1WR1UQ52KF1+V1WR1UQ52-KF1.14-X7	=V1WR1UQ52UQ7.2+V1WR1UQ52UQ7.2-BGS/R	TPE	4	4	18	3	
=V1WR1UQ52UQ7.3-W1	=V1WR1UQ52KF1+V1WR1UQ52-KF1.14-X8	=V1WR1UQ52UQ7.3+V1WR1UQ52UQ7.3-BGS/R	TPE	4	4	18	4	
=V1WR1UQ52UQ7.4-W1	=V1WR1UQ52KF1+V1WR1UQ52-KF1.15-X1	=V1WR1UQ52UQ7.4+V1WR1UQ52UQ7.4-BGS/R	TPE	4	4	18	2	
=V1WR1UQ52UQ8.1-W1	=V1WR1UQ52KF2+V1WR1UQ52-KF2.11-X1	=V1WR1UQ52UQ8.1+V1WR1UQ52UQ8.1-BGS/R	TPE	4	4	18	4	
=V1WR1UQ52UQ8.2-W1	=V1WR1UQ52KF2+V1WR1UQ52-KF2.11-X2	=V1WR1UQ52UQ8.2+V1WR1UQ52UQ8.2-BGS/R	TPE	4	4	18	2	
=V1WR1UQ52UQ8.3-W1	=V1WR1UQ52KF2+V1WR1UQ52-KF2.11-X3	=V1WR1UQ52UQ8.3+V1WR1UQ52UQ8.3-BGS/R	TPE	4	4	18	4	
=V1WR1UQ52UQ9.1-W1	=V1WR1UQ52KF2+V1WR1UQ52-KF2.11-X5	=V1WR1UQ52UQ9.1+V1WR1UQ52UQ9.1-BGS/R	TPE	4	4	18	4	
=V1WR1UQ52UQ9.2-W1	=V1WR1UQ52KF2+V1WR1UQ52-KF2.11-X6	=V1WR1UQ52UQ9.2+V1WR1UQ52UQ9.2-BGS/R	TPE	4	4	18	4	
=V1WR1UQ52UQ9.3-W1	=V1WR1UQ52KF2+V1WR1UQ52-KF2.11-X7	=V1WR1UQ52UQ9.3+V1WR1UQ52UQ9.3-BGS/R	TPE	4	4	18	5	
=V1WR1UQ52UQ9.4-W1	=V1WR1UQ52KF2+V1WR1UQ52-KF2.11-X8	=V1WR1UQ52UQ9.4+V1WR1UQ52UQ9.4-BGS/R	TPE	4	4	18	6	
=V1WR1UQ52UQ9.5-W1	=V1WR1UQ52KF2+V1WR1UQ52-KF2.12-X1	=V1WR1UQ52UQ9.5+V1WR1UQ52UQ9.5-BGS/R	TPE	4	4	18	5	
=V1WR1UQ52UQ10.1-W1	=V1WR1UQ52KF2+V1WR1UQ52-KF2.12-X2	=V1WR1UQ52UQ10.1+V1WR1UQ52UQ10.1-BGS/R	TPE	4	4	18	3	
=V1WR1UQ52UQ10.2-W1	=V1WR1UQ52KF2+V1WR1UQ52-KF2.12-X3	=V1WR1UQ52UQ10.2+V1WR1UQ52UQ10.2-BGS/R	TPE	4	4	18	3	
=V1WR1UQ52UQ11.1-W1	=V1WR1UQ52KF1+V1WR1UQ52-KF1.15-X2	=V1WR1UQ52UQ11.1+V1WR1UQ52UQ11.1-XGR/S	TPE	4	4	18	2	
=V1WR1UQ52UQ11.1-W1.1	=V1WR1UQ52UQ11.1+V1WR1UQ52UQ11.1-BGR	=V1WR1UQ52UQ11.1+V1WR1UQ52UQ11.1-XGR/S	TPE	4	3	18	0.5	
=V1WR1UQ52UQ11.1-W1.2	=V1WR1UQ52UQ11.1+V1WR1UQ52UQ11.1-BGS	=V1WR1UQ52UQ11.1+V1WR1UQ52UQ11.1-XGR/S	TPE	4	3	18	0.5	
=V1FQ1-W12R	=V1FQ1+V1FQ1-BR11-R	=V1FQ1+V1FQ1-BR12-R	TPE	8	8	22	0.61	
=V1FQ1-W12T	=V1FQ1+V1FQ1-BR11-T	=V1FQ1+V1FQ1-BR12-T	TPE	8	8	22	0.61	
=V1AR41UQ41KF1-W1	=V1AR41UQ41KF1+V1AR41UQ41-KF1-X20	=V1AR41UQ41KF1+V1AR41UQ41-R3.CP/CS	TPU	5	5	16	2	
=V1FG1KF1-W1	=V1FG1KF1+V1FG1-KF1-X20	=V1WC4+V1UC14-XG172	TPU	5	5	16	20	
=V1FG2KF1-W1	=V1FG2KF1+V1FG2-KF1-X20	=V1WC4+V1UC14-XG172	TPU	5	5	16	20	
=V1FQ1-W1			TPU	5	0	16	15	
=V1FQ1-W2			TPU	5	0	16	15	
=V1FQ1-W3			TPU	5	0	16	30	
=V1GL15UQ51KF1-W1	=V1WC4+V1UC11-XD171	=V1GL15UQ51KF1+V1GL15UQ51-KF1-X20	TPU	5	5	16	30	
=V1PZ1PF1-W1			TPU	5	0	16	8	


Parts list

F01_001

Device tag	Quantity	Designation	Type number	Supplier	Part number
=KF0-M1	1	Ground bar kit, 5 positions.	ECGB5	SIE	US2.ECGB5
=KF0-M1	1	Wiring Duct Covers, PVC	C1.5LG6	PAN	PAN.C1.5LG6
=KF0-M1	1	Wiring Duct Covers, PVC	C1LG6	PAN	PAN.C1LG6
=KF0-M1	1	Wide Slotted Wiring Duct, PVC	G1.5X4LG6	PAN	PAN.G1.5X4LG6
=KF0-M1	1	Wide Slotted Wiring Duct, PVC	G1X4LG6	PAN	PAN.G1X4LG6
=KF0-M1	1	STAND.SECTIONAL RAIL 35MM, LENGTH 483MM	6ES5710-8MA11	Siemens AG	SIE.6ES5710-8MA11
=KF0-UC31	1	PC PC enclosure system, WHD: 800x1600x600 mm, Sheet steel	PC.5386050	RIT	RIT.5386050
=KF0-UC31	1				TS 8617.580
=KF0-UC31	1				TS 8640.003
=KF0-UC31	1				TS 8640.033
=KF0-UC91	1	Pushbutton Enclosure, Type 12, 4PB, 22.5mm holes, 10.00Hx3.25Wx2.75D, Gray, Steel	E4PBG	HOFFMAN	HOF.E4PBG
=KF0-UC91	1	Hol-Sealers Hole Seal, 1.22" diameter, Gray, Steel	ASPBG	HOFFMAN	ASPBG
=KF0-UC92	1	Pushbutton Enclosure, Type 12, 4PB, 22.5mm holes, 10.00Hx3.25Wx2.75D, Gray, Steel	E4PBG	HOFFMAN	HOF.E4PBG
=KF0-UC92	1	LEGEND PLATET KTC15-1005	KTC15-1005		ABB.1SFA616915R1005
=KF0-UC92	1	Hol-Sealers Hole Seal, 1.22" diameter, Gray, Steel	ASPBG	HOFFMAN	ASPBG
=KF0KF1-KF1.31	1	CPU 1515F-2 PN, 750KB Prog.,3MB Data	6ES7515-2FM02-0AB0	SIE	SIE.6ES7515-2FM02-0AB0
=KF0KF1-KF1.31	1	SIMATIC S7 MEMORY CARD, 2 GB	6ES7954-8LP03-0AA0	SIE	SIE.6ES7954-8LP03-0AA0
=KF0KF1-KF1.31	1	MOUNTING RAIL 160MM (6.3")	6ES7590-1AB60-0AA0	SIE	SIE.6ES7590-1AB60-0AA0
=KF0KF1-KF31	1				SIE.6ES7155-6AA01-0BNO_subassembly
=KF0KF1-KF31	1	ET200SP, SERVERMODULE	6ES7193-6PA00-0AA0		SIE.6ES7193-6PA00-0AA0
=KF0KF1-KF31.11	1	ET 200SP, DI 16x 24V DC ST, PU 1	6ES7131-6BH01-0BA0	SIE	SIE.6ES7131-6BH01-0BA0
=KF0KF1-KF31.11	1	BASEUNIT TYPE A0, BU15-P16+A0+2D	6ES7193-6BP00-0DA0	SIE	SIE.6ES7193-6BP00-0DA0
=KF0KF1-KF31.21	1	ET 200SP, DQ 16x 24V DC/0,5A ST, PU 1	6ES7132-6BH01-0BA0	SIE	SIE.6ES7132-6BH01-0BA0
=KF0KF1-KF31.21	1	BASEUNIT TYPE A0, BU15-P16+A0+2D	6ES7193-6BP00-0DA0	SIE	SIE.6ES7193-6BP00-0DA0
=KF0KF1-KF31.31	1	ET 200SP, Ei-Mod., F-DI 8x24VDC HF	6ES7136-6BA01-0CA0	SIE	SIE.6ES7136-6BA01-0CA0
=KF0KF1-KF31.31	1	BASEUNIT TYPE A0, BU15-P16+A0+2D	6ES7193-6BP00-0DA0	SIE	SIE.6ES7193-6BP00-0DA0
=KF0KF1-KF99.31	1	SCALANCE S615	6GK5615-0AA00-2AA2	SIE	SIE.6GK5615-0AA00-2AA2
=KF0KF1-KF100.31	1	SCALANCE XC216	6GK5216-0BA00-2AC2	SIE	SIE.6GK5216-0BA00-2AC2
=KF0KF1-KF100.31-P6	1	Profinet cable - RJ45 plug to M12 Female receptacle; 1m long	RJ45S FKSDED 423-1M	TURCK	TUR.RJ45S FKSDED 423-1M
=KF0KF1-KF100.31-P7	1	Profinet cable - RJ45 plug to M12 Female receptacle; 1m long	RJ45S FKSDED 423-1M	TURCK	TUR.RJ45S FKSDED 423-1M
=KF0KF1-KF100.31-P8	1	Profinet cable - RJ45 plug to M12 Female receptacle; 1m long	RJ45S FKSDED 423-1M	TURCK	TUR.RJ45S FKSDED 423-1M
=KF0KF1-KF100.31-P9	1	Profinet cable - RJ45 plug to M12 Female receptacle; 1m long	RJ45S FKSDED 423-1M	TURCK	TUR.RJ45S FKSDED 423-1M
=KF0KF1-KF100.31-P10	1	Profinet cable - RJ45 plug to M12 Female receptacle; 1m long	RJ45S FKSDED 423-1M	TURCK	TUR.RJ45S FKSDED 423-1M
=KF0KF1-KF100.31-P11	1	Profinet cable - RJ45 plug to M12 Female receptacle; 1m long	RJ45S FKSDED 423-1M	TURCK	TUR.RJ45S FKSDED 423-1M
=KF0KF1-KF100.31-P12	1	Profinet cable - RJ45 plug to M12 Female receptacle; 1m long	RJ45S FKSDED 423-1M	TURCK	TUR.RJ45S FKSDED 423-1M
=KF0KF1-KF100.31-P13	1	Profinet cable - RJ45 plug to M12 Female receptacle; 1m long	RJ45S FKSDED 423-1M	TURCK	TUR.RJ45S FKSDED 423-1M
=KF0KF1-KF100.31-P14	1	Profinet cable - RJ45 plug to M12 Female receptacle; 1m long	RJ45S FKSDED 423-1M	TURCK	TUR.RJ45S FKSDED 423-1M
=KF0KF1-KF100.31-P15	1	Profinet cable - RJ45 plug to M12 Female receptacle; 1m long	RJ45S FKSDED 423-1M	TURCK	TUR.RJ45S FKSDED 423-1M
=KF0KF1-KF100.31-P16	1	Profinet cable - RJ45 plug to M12 Female receptacle; 1m long	RJ45S FKSDED 423-1M	TURCK	TUR.RJ45S FKSDED 423-1M
=KF0KF1-XG1	1				4000-73000-0180000
=KF0KF1-XG2	1				4000-73000-0180000
=KF0PZ1-PF1	1	Signaling column connection element for pipe mounting incl. end cover and seal	8WD4408-0AA	SIE	SIE.8WD4408-0AA
=KF0PZ1-PF1	1	Tube with foot, tube length 100 mm, accessory for signaling columns 8WD44, D=70 mm	8WD4308-0DA	SIEMENS	SIE.8WD4308-0DA
=KF0PZ1-PF1	1	Signaling column multifunctional siren element different sounds can be set 24 V	8WD4420-0EA2		SIE.8WD4420-0EA2
=KF0PZ1-PF1	1	Signaling column continuous light element LED red, 24 V AC/DC	8WD4420-5AB	SIE	SIE.8WD4420-5AB
=KF0PZ1-PF1	1	Signaling column continuous light element LED green, 24 V AC/DC	8WD4420-5AC	SIE	SIE.8WD4420-5AC
=KF0WC3-FC1	1	Miniature Circuit Breaker - SU200 M - 1P - C - 10 A	SU201M-C10	ABB	ABB.2CDS271337R0104
=KF0WC3-FC1	1	S2C-H6RU - Auxiliary Contact	S2C-H6RU	ABB	ABB.2CDS200914R0001
=KF0WC3-FC2	1	Miniature Circuit Breaker - SU200 M - 1P - C - 10 A	SU201M-C10	ABB	ABB.2CDS271337R0104
=KF0WC3-FC2	1	S2C-H6RU - Auxiliary Contact	S2C-H6RU	ABB	ABB.2CDS200914R0001
=KF0WC4-FC11	1	4x3-10A	6EP1961-2BA41	SIE	SIE.6EP1961-2BA41
=KF0WC4-GA1	1	SITOP UPS1600	6EP4134-3AB00-2AY0		SIE.6EP4134-3AB00-2AY0
=KF0WC4-GB1	1	SITOP UPS1100	6EP4134-0GB00-0AY0	SIE	SIE.6EP4134-0GB00-0AY0
=KF0WC4-TA1	1	SITOP PSU6200 1ph 24 V/20 A	6EP3336-7SB00-3AX0		SIE.6EP3336-7SB00-3AX0

+ /1

+ .UC91/1

Date	1/17/2023	Volvo Trucks North America	Valiant TMS	Parts list : US2.ECGB5 - SIE.6EP3336-7SB00-3AX0	Drawing name:	=		
Ed.	MKLEPADLO		Scale 1:1		=2V07&EFS-EL	+ UC31		
Appr					Document type:	Project nr:	Page	1
Modification	Date	Name	Original	Replacement of	Replaced by	EPB	22-16144	509

Parts list

F01_001

Device tag	Quantity	Designation	Type number	Supplier	Part number
=V1AR21-FC1	1		EMPD3FBCB-025A-M	Electro-Matic	EMPD3FBCB-025A-M
=V1AR22-FC1	1		EMPD3FBCB-025A-M	Electro-Matic	EMPD3FBCB-025A-M
=V1AR41-FC1	1		EMPD3FBCB-025A-M	Electro-Matic	EMPD3FBCB-025A-M
=V1AR191-FC1	1		EMPD3FBCB-025A-M	Electro-Matic	EMPD3FBCB-025A-M
=V1KF1-KF11	1				SIE.6ES7155-6AA01-0BN0_subassembly
=V1KF1-KF11	1	ET200SP, SERVERMODULE	6ES7193-6PA00-0AA0		SIE.6ES7193-6PA00-0AA0
=V1KF1-KF11.11	1	ET 200SP, DI 16x 24V DC ST, PU 1	6ES7131-6BH01-0BA0	SIE	SIE.6ES7131-6BH01-0BA0
=V1KF1-KF11.11	1	BASEUNIT TYPE A0, BU15-P16+A0+2D	6ES7193-6BP00-0DA0	SIE	SIE.6ES7193-6BP00-0DA0
=V1KF1-KF11.12	1	ET 200SP, DI 16x 24V DC ST, PU 1	6ES7131-6BH01-0BA0	SIE	SIE.6ES7131-6BH01-0BA0
=V1KF1-KF11.12	1	BASEUNIT TYPE A0, BU15-P16+A0+2B	6ES7193-6BP00-0BA0	SIE	SIE.6ES7193-6BP00-0BA0
=V1KF1-KF11.13	1	ET 200SP, DI 16x 24V DC ST, PU 1	6ES7131-6BH01-0BA0	SIE	SIE.6ES7131-6BH01-0BA0
=V1KF1-KF11.13	1	BASEUNIT TYPE A0, BU15-P16+A0+2B	6ES7193-6BP00-0BA0	SIE	SIE.6ES7193-6BP00-0BA0
=V1KF1-KF11.14	1	ET 200SP, DI 16x 24V DC ST, PU 1	6ES7131-6BH01-0BA0	SIE	SIE.6ES7131-6BH01-0BA0
=V1KF1-KF11.14	1	BASEUNIT TYPE A0, BU15-P16+A0+2B	6ES7193-6BP00-0BA0	SIE	SIE.6ES7193-6BP00-0BA0
=V1KF1-KF11.21	1	ET 200SP, DQ 16x 24V DC/0,5A ST, PU 1	6ES7132-6BH01-0BA0	SIE	SIE.6ES7132-6BH01-0BA0
=V1KF1-KF11.21	1	BASEUNIT TYPE A0, BU15-P16+A0+2D	6ES7193-6BP00-0DA0	SIE	SIE.6ES7193-6BP00-0DA0
=V1KF1-KF11.31	1	ET 200SP, EI-Mod., F-DI 8x24VDC HF	6ES7136-6BA00-0CA0	SIEMENS	SIE.6ES7136-6BA00-0CA0
=V1KF1-KF11.31	1	BASEUNIT TYPE A0, BU15-P16+A0+2B	6ES7193-6BP00-0BA0	SIE	SIE.6ES7193-6BP00-0BA0
=V1KF1-KF11.32	1	ET 200SP, EI-Mod., F-DI 8x24VDC HF	6ES7136-6BA00-0CA0	SIEMENS	SIE.6ES7136-6BA00-0CA0
=V1KF1-KF11.32	1	BASEUNIT TYPE A0, BU15-P16+A0+2B	6ES7193-6BP00-0BA0	SIE	SIE.6ES7193-6BP00-0BA0
=V1KF1-KF11.41	1	ET 200SP, EI-Mod., F-DQ 4xDC 24V/2A	6ES7136-6DB00-0CA0		SIE.6ES7136-6DB00-0CA0
=V1KF1-KF11.41	1	BASEUNIT TYPE A0, BU15-P16+A0+2B	6ES7193-6BP00-0BA0	SIE	SIE.6ES7193-6BP00-0BA0
=V1KF1-KF11.42	1	ET 200SP, EI-Mod., F-DQ 4xDC 24V/2A	6ES7136-6DB00-0CA0		SIE.6ES7136-6DB00-0CA0
=V1KF1-KF11.42	1	BASEUNIT TYPE A0, BU15-P16+A0+2B	6ES7193-6BP00-0BA0	SIE	SIE.6ES7193-6BP00-0BA0
=V1KF1-KF11.51	1	ET 200SP, F-RQ 1x24VDC/24..230VAC/5A ST	6ES7136-6RA00-0BF0		SIE.6ES7136-6RA00-0BF0
=V1KF1-KF11.51	1	BASEUNIT TYPE F0, BU20-P8+A4+0B	6ES7193-6BP20-0BF0	SIE	SIE.6ES7193-6BP20-0BF0
=V1KF1-KF11.52	1	ET 200SP, F-RQ 1x24VDC/24..230VAC/5A ST	6ES7136-6RA00-0BF0		SIE.6ES7136-6RA00-0BF0
=V1KF1-KF11.52	1	BASEUNIT TYPE F0, BU20-P8+A4+0B	6ES7193-6BP20-0BF0	SIE	SIE.6ES7193-6BP20-0BF0
=V1KF1-KF11.53	1	ET 200SP, F-RQ 1x24VDC/24..230VAC/5A ST	6ES7136-6RA00-0BF0		SIE.6ES7136-6RA00-0BF0
=V1KF1-KF11.53	1	BASEUNIT TYPE F0, BU20-P8+A4+0B	6ES7193-6BP20-0BF0	SIE	SIE.6ES7193-6BP20-0BF0
=V1KF1-KF11.54	1	ET 200SP, F-RQ 1x24VDC/24..230VAC/5A ST	6ES7136-6RA00-0BF0		SIE.6ES7136-6RA00-0BF0
=V1KF1-KF11.54	1	BASEUNIT TYPE F0, BU20-P8+A4+0B	6ES7193-6BP20-0BF0	SIE	SIE.6ES7193-6BP20-0BF0
=V1KF1-KF100.11	1	SCALANCE XC216	6GK5216-0BA00-2AC2	SIE	SIE.6GK5216-0BA00-2AC2
=V1WC1-FC1	1	MCCB_UL_FS125_15A_3P_65KA_TM_FTFM	3VA5195-6ED31-0AA0	SIE	SIE.3VA5195-6ED31-0AA0
=V1WC1-KF1.1	1	BREAKER DATA SERVER, COM100	3VA9977-0TA20	SIE	SIE.3VA9977-0TA20
=V1WC1-KF1.2	1	Switched Ethernet PROFINET Module V3	7KM9300-0AE02-0AA0		SIE.7KM9300-0AE02-0AA0
=V1WC1-QB1	1	MCCB_UL_FS250_250A_3P_65KA_ETU8_LSI	3VA6225-6KP31-0AA0	SIE	SIE.3VA6225-6KP31-0AA0
=V1WC1-QB1-KF1	1	COMMUNICATION MODULE COM060	3VA9177-0TB10	SIE	SIE.3VA9177-0TB10
=V1WC1-TA1	1				PTN102-3K
=V1WC2-A3	1	Multi-Environment Voltage Indicator and Safe-Test Point Combination Unit with Vertical Mounting Label			GT.R-3W2MT-LMF
=V1WC2-FC1	1	MCCB_UL_FS125_20A_3P_65KA_TM_FTFM	3VA5120-6ED31-0AA0	SIE	SIE.3VA5120-6ED31-0AA0
=V1WC2-FC1	1	SENTRON auxiliary switch Accessories for 3VA circuit breakers	3VA9978-0AA12	SIE	SIE.3VA9978-0AA12
=V1WC2-TA2	1	Transformer	PTN102-7.5K	POWERTRAN	PTN102-7.5K
=V1WC3-FC2	1	CIRCUIT BREAKER 240V 14KA, 1-POLE, C, 20A, D=70MM	5SJ4120-7HG41	SIE	SIE.5SJ4120-7HG41
=V1WC3-FC2	1	AUXILARY SWITCH 1NO1NC UL489	5ST3010-0HG	SIE	SIE.5ST3010-0HG
=V1WC3-FC3	1	CIRCUIT BREAKER 240V 14KA, 1-POLE, C, 6A, D=70MM	5SJ4106-7HG41	SIE	SIE.5SJ4106-7HG41
=V1WC3-FC3	1	AUXILARY SWITCH 1NO1NC UL489	5ST3010-0HG	SIE	SIE.5ST3010-0HG
=V1WC3-FC4	1	CIRCUIT BREAKER 240V 14KA, 1-POLE, C, 3A, D=70MM	5SJ4103-7HG41	SIE	SIE.5SJ4103-7HG41
=V1WC3-FC4	1	AUXILARY SWITCH 1NO1NC UL489	5ST3010-0HG	SIE	SIE.5ST3010-0HG
=V1WC3-FC5	1	CIRCUIT BREAKER 240V 14KA, 1-POLE, C, 16A, D=70MM	5SJ4116-7HG41	SIE	SIE.5SJ4116-7HG41
=V1WC3-FC6	1	CIRCUIT BREAKER 240V 14KA, 1-POLE, C, 16A, D=70MM	5SJ4116-7HG41	SIE	SIE.5SJ4116-7HG41
=V1WC3-FC6	1	AUXILARY SWITCH 1NO1NC UL489	5ST3010-0HG	SIE	SIE.5ST3010-0HG
=V1WC3-FC7	1	CIRCUIT BREAKER 240V 14KA, 1-POLE, C, 16A, D=70MM	5SJ4116-7HG41	SIE	SIE.5SJ4116-7HG41
=V1WC3-FC7	1	AUXILARY SWITCH 1NO1NC UL489	5ST3010-0HG	SIE	SIE.5ST3010-0HG
=V1WC3-FC8	1	CIRCUIT BREAKER 240V 14KA, 1-POLE, C, 16A, D=70MM	5SJ4116-7HG41	SIE	SIE.5SJ4116-7HG41
=V1WC3-FC8	1	AUXILARY SWITCH 1NO1NC UL489	5ST3010-0HG	SIE	SIE.5ST3010-0HG

+ .U50U01/1

2

Date	1/17/2023	Volvo Trucks North America	Valiant TMS	Parts list : EMPD3FBCB-025A-M - SIE.5ST3010-0HG	Drawing name:	=	
Ed.	MKLEPADLO	P6700 Roof Inr & Dr Ring LH - Cell 2V07	Scale 1:1		=	+ V1UC11	
Appr					Document type:	Project nr:	Page
Modification	Date	Name	Original	Replaced by	EPB	22-16144	509

Parts list

F01_001

Device tag	Quantity	Designation	Type number	Supplier	Part number
=V1KF1-KF46	1				SIE.6ES7155-6AA01-0BN0_subassembly
=V1KF1-KF46	1	ET200SP, SERVERMODULE	6ES7193-6PA00-0AA0		SIE.6ES7193-6PA00-0AA0
=V1KF1-KF46.11	1	ET 200SP, DI 16x 24V DC ST, PU 1	6ES7131-6BH01-0BA0	SIE	SIE.6ES7131-6BH01-0BA0
=V1KF1-KF46.11	1	BASEUNIT TYPE A0, BU15-P16+A0+2D	6ES7193-6BP00-0DA0	SIE	SIE.6ES7193-6BP00-0DA0
=V1KF1-KF46.41	1	ET 200SP, EI-Mod., F-DQ 4xDC 24V/2A	6ES7136-6DB00-0CA0		SIE.6ES7136-6DB00-0CA0
=V1KF1-KF46.41	1	BASEUNIT TYPE A0, BU15-P16+A0+2D	6ES7193-6BP00-0DA0	SIE	SIE.6ES7193-6BP00-0DA0
=V1KF1-KF46.51	1	ET 200SP, F-RQ 1x24VDC/24..230VAC/5A ST	6ES7136-6RA00-0BF0		SIE.6ES7136-6RA00-0BF0
=V1KF1-KF46.51	1	BASEUNIT TYPE F0, BU20-P8+A4+0B	6ES7193-6BP20-0BF0	SIE	SIE.6ES7193-6BP20-0BF0
=V1KF1-KF46.52	1	ET 200SP, F-RQ 1x24VDC/24..230VAC/5A ST	6ES7136-6RA00-0BF0		SIE.6ES7136-6RA00-0BF0
=V1KF1-KF46.52	1	BASEUNIT TYPE F0, BU20-P8+A4+0B	6ES7193-6BP20-0BF0	SIE	SIE.6ES7193-6BP20-0BF0
=V1KF1-KF46.53	1	ET 200SP, F-RQ 1x24VDC/24..230VAC/5A ST	6ES7136-6RA00-0BF0		SIE.6ES7136-6RA00-0BF0
=V1KF1-KF46.53	1	BASEUNIT TYPE F0, BU20-P8+A4+0B	6ES7193-6BP20-0BF0	SIE	SIE.6ES7193-6BP20-0BF0
=V1KF1-KF46.54	1	ET 200SP, F-RQ 1x24VDC/24..230VAC/5A ST	6ES7136-6RA00-0BF0		SIE.6ES7136-6RA00-0BF0
=V1KF1-KF46.54	1	BASEUNIT TYPE F0, BU20-P8+A4+0B	6ES7193-6BP20-0BF0	SIE	SIE.6ES7193-6BP20-0BF0
=V1KF1-KF100.46	1	SCALANCE XC208	6GK5208-0BA00-2AC2	SIE	SIE.6GK5208-0BA00-2AC2
=V1KF1-KF100.46-P1	1	Profinet cable - RJ45 plug to M12 Female receptacle; 1m long	RJ45S FKSDED 423-1M	TURCK	TUR.RJ45S FKSDED 423-1M
=V1KF1-KF100.46-P3	1	Profinet cable - RJ45 plug to M12 Female receptacle; 1m long	RJ45S FKSDED 423-1M	TURCK	TUR.RJ45S FKSDED 423-1M
=V1KF1-KF100.46-P4	1	Profinet cable - RJ45 plug to M12 Female receptacle; 1m long	RJ45S FKSDED 423-1M	TURCK	TUR.RJ45S FKSDED 423-1M
=V1KF1-KF100.46-P5	1	Profinet cable - RJ45 plug to M12 Female receptacle; 1m long	RJ45S FKSDED 423-1M	TURCK	TUR.RJ45S FKSDED 423-1M
=V1KF1-KF100.46-P6	1	Profinet cable - RJ45 plug to M12 Female receptacle; 1m long	RJ45S FKSDED 423-1M	TURCK	TUR.RJ45S FKSDED 423-1M
=V1KF1-UC01	1	Compact enclosure AX	AX.1050000		RIT.1050000
=V1UC46-M1	1	Ground bar kit, 5 positions.	ECGB5	SIE	US2.ECGB5
=V1UC46-M1	1	Wiring Duct Covers, PVC	C1.5LG6	PAN	PAN.C1.5LG6
=V1UC46-M1	1	Wiring Duct Covers, PVC	C2LG6	PAN	PAN.C2LG6
=V1UC46-M1	1	Wide Slotted Wiring Duct, PVC	G1.5X4LG6	PAN	PAN.G1.5X4LG6
=V1UC46-M1	1	Wide Slotted Wiring Duct, PVC	G2X4LG6	PAN	PAN.G2X4LG6
=V1UC46-M1	1	STAND.SECTIONAL RAIL 35MM, LENGTH 483MM	6ES5710-8MA11	Siemens AG	SIE.6ES5710-8MA11
=V1WC3-FC1	1	Miniature Circuit Breaker - SU200 M - 1P - C - 10 A	SU201M-C10	ABB	ABB.2CDS271337R0104
=V1WC3-FC1	1	S2C-H6RU - Auxiliary Contact	S2C-H6RU	ABB	ABB.2CDS200914R0001
=V1WC3-XD1	1	RECEPTACLE MINI 3P MALE 1M	RSF 36-1M W/LN	TURCK	TUR.RSF 36-1M W/LN
=V1WC4-FC11	1	4x3-10A	6EP1961-2BA41	SIE	SIE.6EP1961-2BA41
=V1WC4-TA1	1	SITOP PSU6200 1ph 24 V/20 A	6EP3336-7SB00-3AX0		SIE.6EP3336-7SB00-3AX0
=V1WC4-XD51	1	RECEPTACLE MINI 5P FEMALE 1M	RKF 50-1M/NPT	TURCK	TUR.RKF 50-1M/NPT
=V1WC4-XD52	1	RECEPTACLE MINI 5P FEMALE 1M	RKF 50-1M/NPT	TURCK	TUR.RKF 50-1M/NPT
=V1WC4-XD53	1	RECEPTACLE MINI 5P FEMALE 1M	RKF 50-1M/NPT	TURCK	TUR.RKF 50-1M/NPT
=V1WC4-XD54	1	RECEPTACLE MINI 5P FEMALE 1M	RKF 50-1M/NPT	TURCK	TUR.RKF 50-1M/NPT

+UC14/1


+UC51/1

Date	1/17/2023	Volvo Trucks North America	Valiant TMS	Parts list : SIE.6ES7155-6AA01-0BN0_subassembly	Drawing name:	=		
Ed.	MKLEPADLO	P6700 Roof Inr & Dr Ring LH - Cell 2V07	Scale 1:1	TUR.RKF 50-1M/NPT	=2V07&EFS-EL	+ V1UC46		
Appr				Document type:	Project nr:	Page	1	
Modification	Date	Name	Original	Replacement of	Replaced by	EPB	22-16144	509

Parts list

F01_001

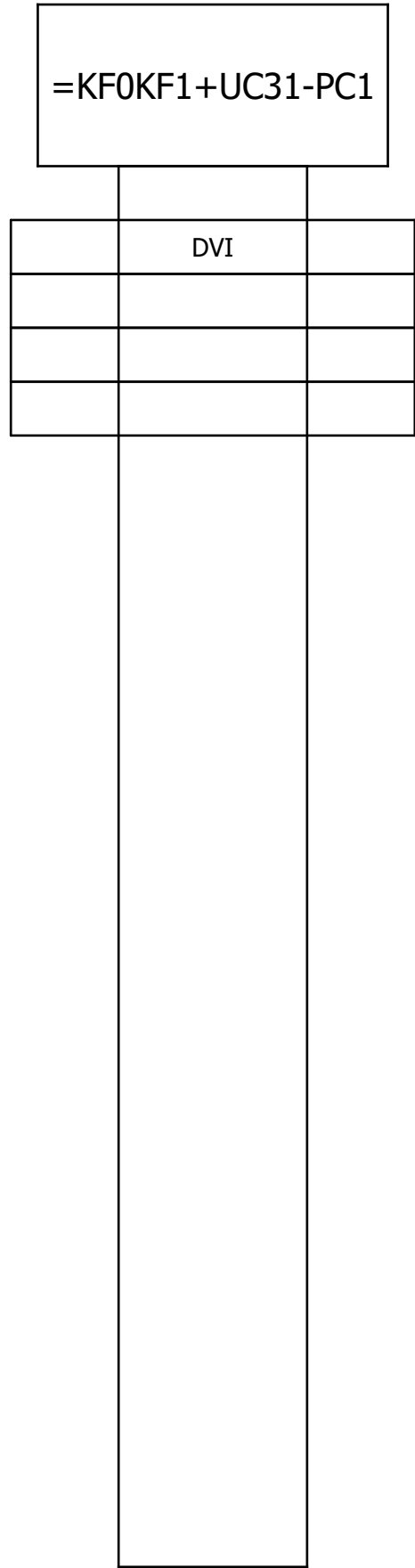
Device tag	Quantity	Designation	Type number	Supplier	Part number
=V1WR1UQ52UQ11.1-BGR	1				TUR.1644905
=V1WR1UQ52UQ11.1-BGS	1				TUR.1644905
=V1WR1UQ52UQ11.1-XGR/S	1	Y splitter	U2-30676	TURCK	TUR.VB2-FSM 4.4/2FKM 4/S3450

+.WR1UQ52UQ10.2/1				&ETT+/1							
Date	1/17/2023	Volvo Trucks North America		Valiant TMS	Parts list : TUR.1644905 - TUR.VB2-FSM 4.4/2FKM 4/S3450		Drawing name: =2V07&EFS-EL		=		
Ed.	MKLEPADLO	P6700 Roof Inr & Dr Ring LH - Cell 2V07			Scale 1:1	Document type: EPB	Project nr: 22-16144	+ V1WR1UQ52UQ11.1		Page	1
Appr		Replacement of	Replaced by					509			
Modification	Date	Name	Original								

Terminal line-up diagram

F12_001

Part number					
Mounting rail			Strip label	End angle rear	End plate
Terminal					
Part number	Type number	Cross-section	Terminal label	Jumper	Cover



Terminal line-up diagram

F12_001

Part number					
Mounting rail			Strip label	End angle rear	End plate
Terminal					
Part number	Type number	Cross-section	Terminal label	Jumper	Cover
WEI.1608510000	ZDU 2.5	2.5			
WEI.1608740000	ZAP/TW 1				
WEI.9540000000	ZEW 35				
WEI.1608520000	ZDU 2.5 BL	2.5 mm ²			
WEI.1608520000	ZDU 2.5 BL	2.5 mm ²			

=KF0WC3+UC31-XD1

'	L1	
'	N	
'		
'	PE	
'		

Terminal line-up diagram

F12_001

Part number					
Mounting rail			Strip label	End angle rear	End plate
Terminal					
Part number	Type number	Cross-section	Terminal label	Jumper	Cover
WEI.1608510000	ZDU 2.5	2.5			
WEI.1608740000	ZAP/TW 1				
WEI.9540000000	ZEW 35				
WEI.1608520000	ZDU 2.5 BL	2.5 mm ²			
WEI.1608520000	ZDU 2.5 BL	2.5 mm ²			

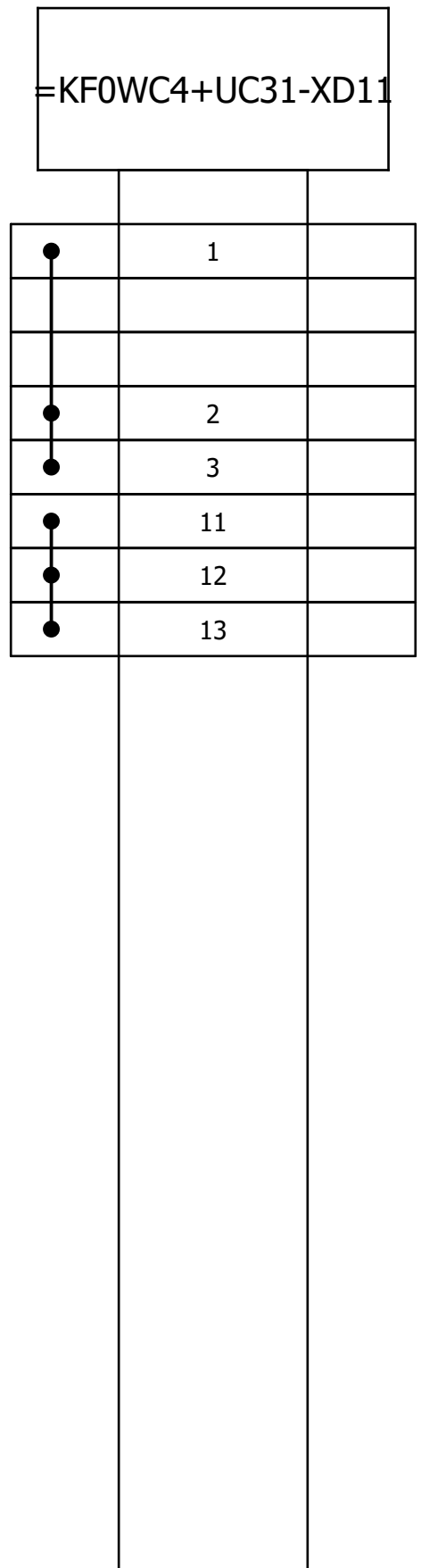
=KF0WC3+UC31-XD2

'	1L1	
'	N	
'		
'	PE	
'		

Terminal line-up diagram

F12_001

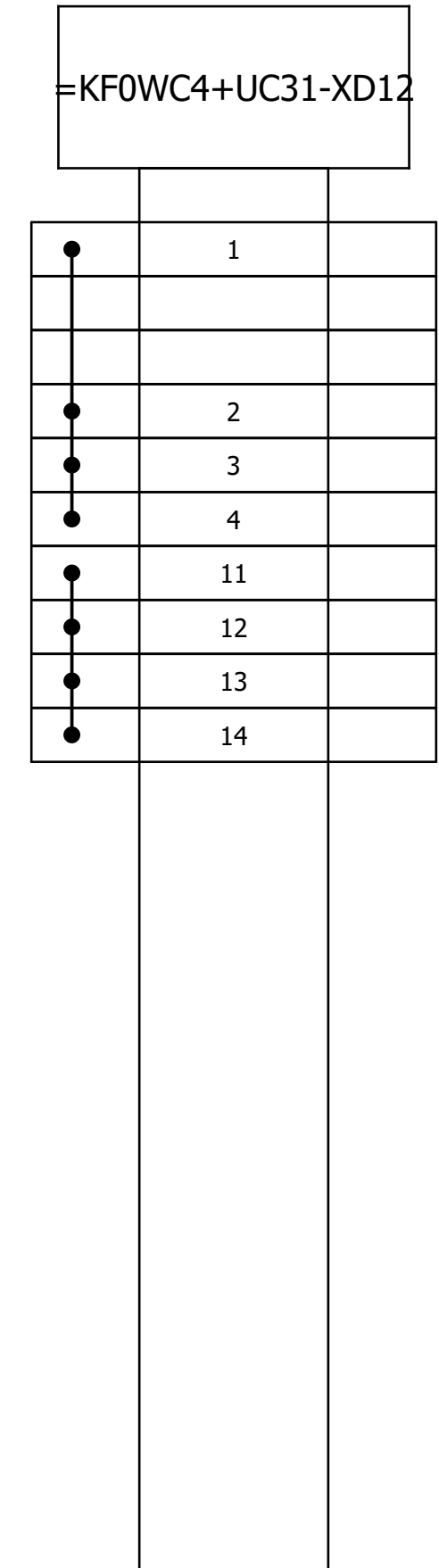
Part number					
Mounting rail			Strip label	End angle rear	End plate
Terminal					
Part number	Type number	Cross-section	Terminal label	Jumper	Cover
WEI.8731720000	ZTR 2.5/3AN	2.5			
WEI.1608800000	ZAP/TW 3				
WEI.9540000000	ZEW 35				
WEI.8731720000	ZTR 2.5/3AN	2.5			
WEI.8731720000	ZTR 2.5/3AN	2.5			
WEI.8731720000	ZTR 2.5/3AN	2.5			
WEI.8731720000	ZTR 2.5/3AN	2.5			
WEI.8731720000	ZTR 2.5/3AN	2.5			
WEI.8731720000	ZTR 2.5/3AN	2.5			



Terminal line-up diagram

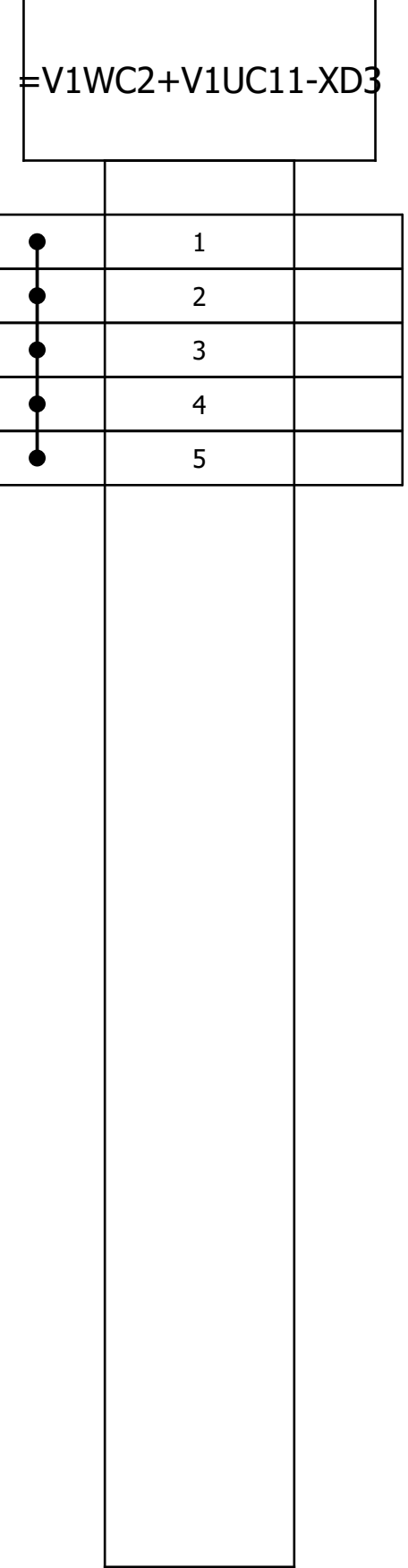
F12_001

Part number					
Mounting rail			Strip label	End angle rear	End plate
Terminal					
Part number	Type number	Cross-section	Terminal label	Jumper	Cover
WEI.8731720000	ZTR 2.5/3AN	2.5			
WEI.1608800000	ZAP/TW 3				
WEI.9540000000	ZEW 35				
WEI.8731720000	ZTR 2.5/3AN	2.5			
WEI.8731720000	ZTR 2.5/3AN	2.5			
WEI.8731720000	ZTR 2.5/3AN	2.5			
WEI.8731720000	ZTR 2.5/3AN	2.5			
WEI.8731720000	ZTR 2.5/3AN	2.5			
WEI.8731720000	ZTR 2.5/3AN	2.5			
WEI.8731720000	ZTR 2.5/3AN	2.5			
WEI.8731720000	ZTR 2.5/3AN	2.5			



Terminal line-up diagram

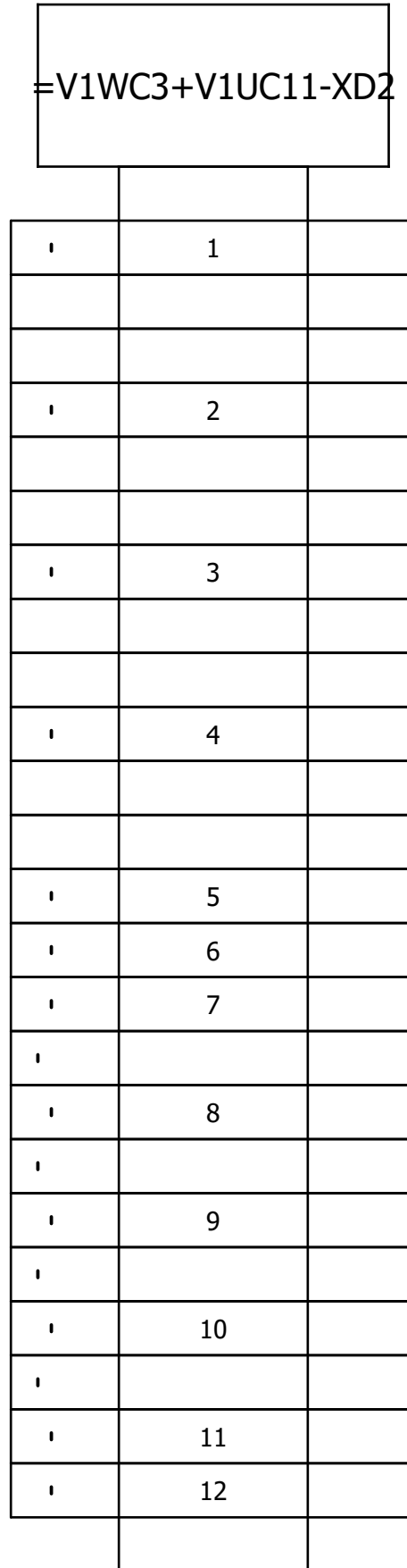
Part number					
Mounting rail			Strip label	End angle rear	End plate
Terminal					
Part number	Type number	Cross-section	Terminal label	Jumper	Cover
WEI.8731720000	ZTR 2.5/3AN	2.5			
WEI.8731720000	ZTR 2.5/3AN	2.5			
WEI.8731720000	ZTR 2.5/3AN	2.5			
WEI.8731720000	ZTR 2.5/3AN	2.5			
WEI.8731720000	ZTR 2.5/3AN	2.5			



Terminal line-up diagram

F12_001

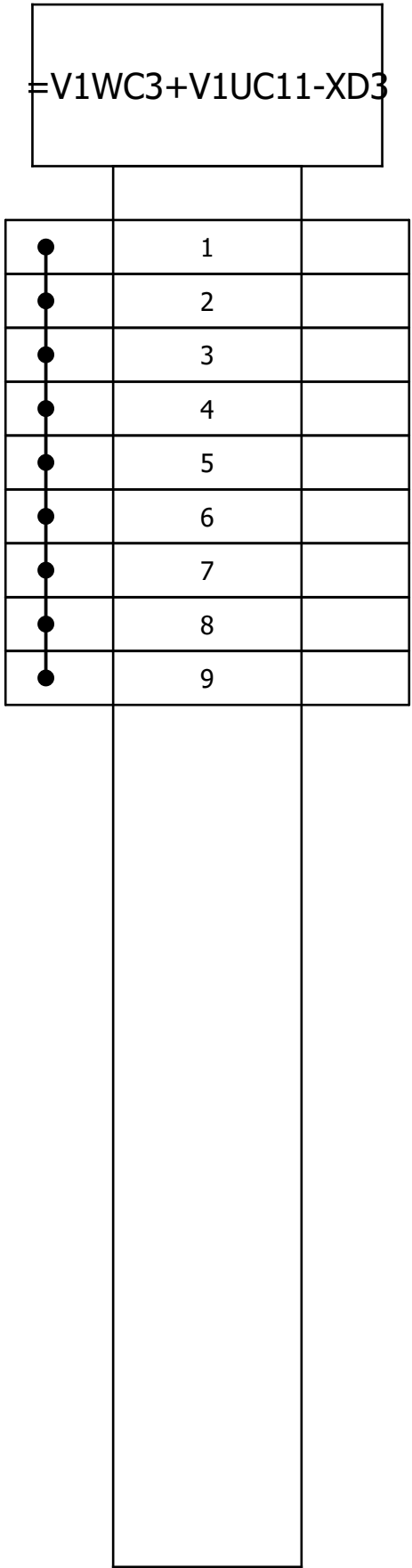
Part number					
Mounting rail			Strip label	End angle rear	End plate
Terminal					
Part number	Type number	Cross-section	Terminal label	Jumper	Cover
WEI.1608510000	ZDU 2.5	2.5			
WEI.1608740000	ZAP/TW 1				
WEI.9540000000	ZEW 35				
WEI.1608510000	ZDU 2.5	2.5			
WEI.1608740000	ZAP/TW 1				
WEI.9540000000	ZEW 35				
WEI.1608510000	ZDU 2.5	2.5			
WEI.1608740000	ZAP/TW 1				
WEI.9540000000	ZEW 35				
WEI.1608510000	ZDU 2.5	2.5			
WEI.1608740000	ZAP/TW 1				
WEI.9540000000	ZEW 35				
1SNK706012R0000	ZK4-4P	4			
1SNK706012R0000	ZK4-4P	4			
WEI.1608520000	ZDU 2.5 BL	2.5 mm ²			
WEI.1608520000	ZDU 2.5 BL	2.5 mm ²			
WEI.1608520000	ZDU 2.5 BL	2.5 mm ²			
WEI.1608520000	ZDU 2.5 BL	2.5 mm ²			
1SNK706012R0000	ZK4-4P	4			
1SNK706012R0000	ZK4-4P	4			



Terminal line-up diagram

F12_001

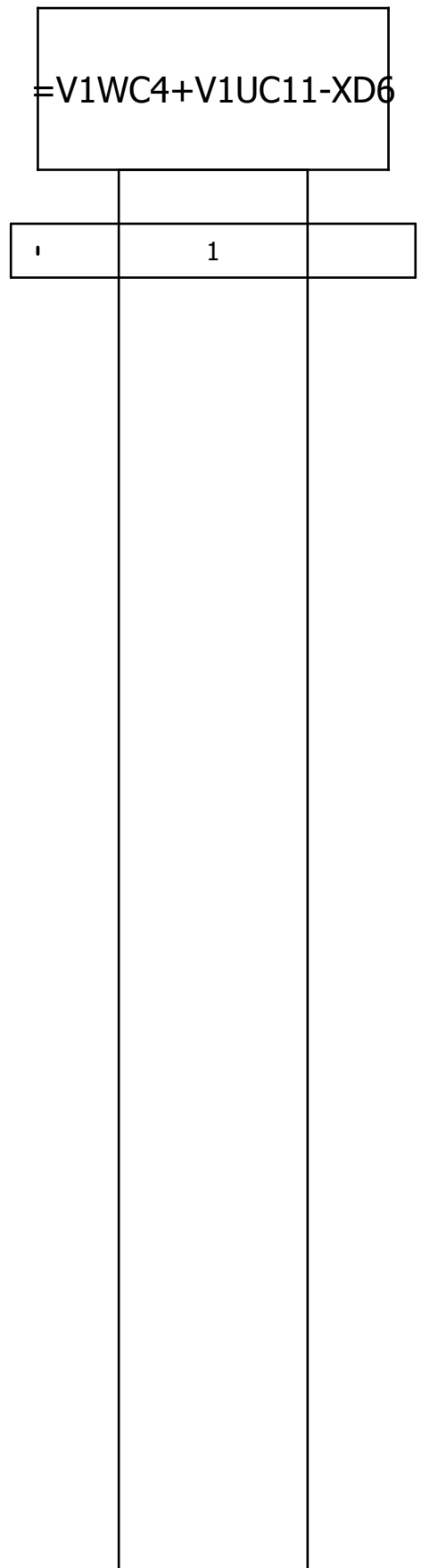
Part number					
Mounting rail			Strip label	End angle rear	End plate
Terminal					
Part number	Type number	Cross-section	Terminal label	Jumper	Cover
1SNK705012R0000	ZK2.5-4P	2.5			
1SNK705012R0000	ZK2.5-4P	2.5			
1SNK705012R0000	ZK2.5-4P	2.5			
1SNK705012R0000	ZK2.5-4P	2.5			
1SNK705012R0000	ZK2.5-4P	2.5			
1SNK705012R0000	ZK2.5-4P	2.5			
1SNK705012R0000	ZK2.5-4P	2.5			
1SNK705012R0000	ZK2.5-4P	2.5			
1SNK705012R0000	ZK2.5-4P	2.5			
1SNK705012R0000	ZK2.5-4P	2.5			



Terminal line-up diagram

F12_001

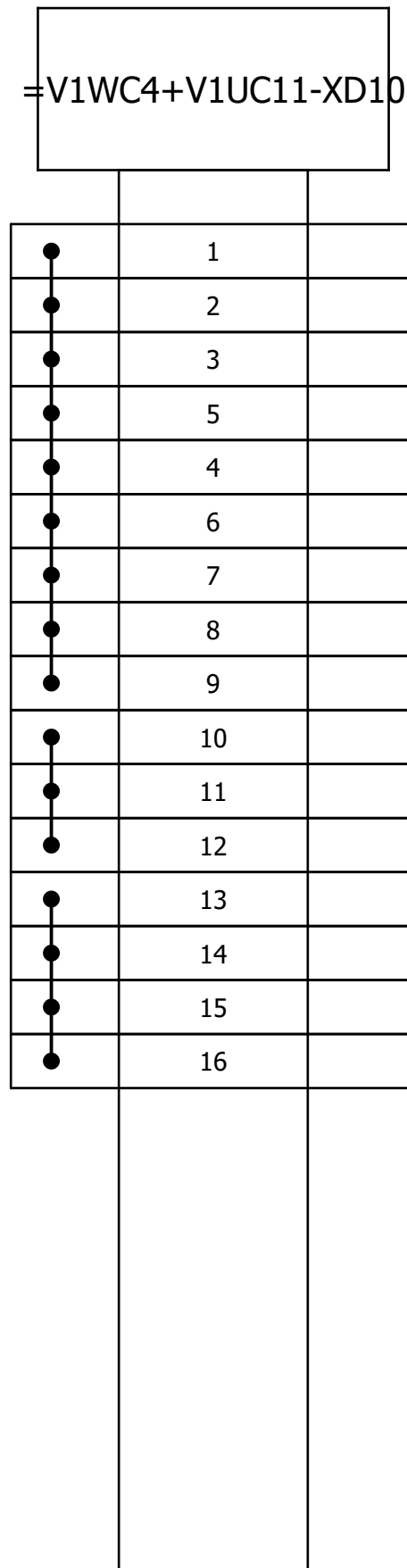
Part number					
Mounting rail			Strip label	End angle rear	End plate
Terminal					
Part number	Type number	Cross-section	Terminal label	Jumper	Cover



Terminal line-up diagram

F12_001

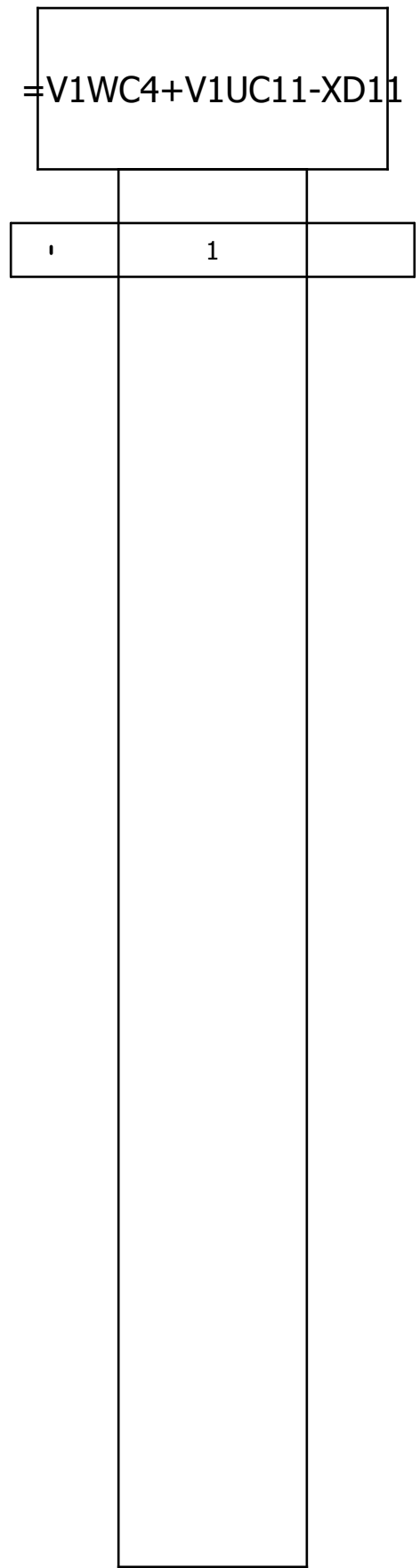
Part number					
Mounting rail			Strip label	End angle rear	End plate
Terminal					
Part number	Type number	Cross-section	Terminal label	Jumper	Cover
WEI.8731720000	ZTR 2.5/3AN	2.5			
WEI.8731720000	ZTR 2.5/3AN	2.5			
WEI.8731720000	ZTR 2.5/3AN	2.5			
WEI.8731720000	ZTR 2.5/3AN	2.5			
WEI.8731720000	ZTR 2.5/3AN	2.5			
WEI.8731720000	ZTR 2.5/3AN	2.5			
WEI.8731720000	ZTR 2.5/3AN	2.5			
WEI.8731720000	ZTR 2.5/3AN	2.5			
WEI.8731720000	ZTR 2.5/3AN	2.5			
WEI.8731720000	ZTR 2.5/3AN	2.5			
WEI.8731720000	ZTR 2.5/3AN	2.5			
WEI.8731720000	ZTR 2.5/3AN	2.5			
WEI.8731720000	ZTR 2.5/3AN	2.5			
WEI.8731720000	ZTR 2.5/3AN	2.5			
WEI.8731720000	ZTR 2.5/3AN	2.5			
WEI.8731720000	ZTR 2.5/3AN	2.5			
WEI.8731720000	ZTR 2.5/3AN	2.5			
WEI.8731720000	ZTR 2.5/3AN	2.5			
WEI.8731720000	ZTR 2.5/3AN	2.5			
WEI.8731720000	ZTR 2.5/3AN	2.5			
WEI.8731720000	ZTR 2.5/3AN	2.5			
WEI.8731720000	ZTR 2.5/3AN	2.5			
WEI.8731720000	ZTR 2.5/3AN	2.5			
WEI.8731720000	ZTR 2.5/3AN	2.5			
WEI.8731720000	ZTR 2.5/3AN	2.5			



Terminal line-up diagram

F12_001

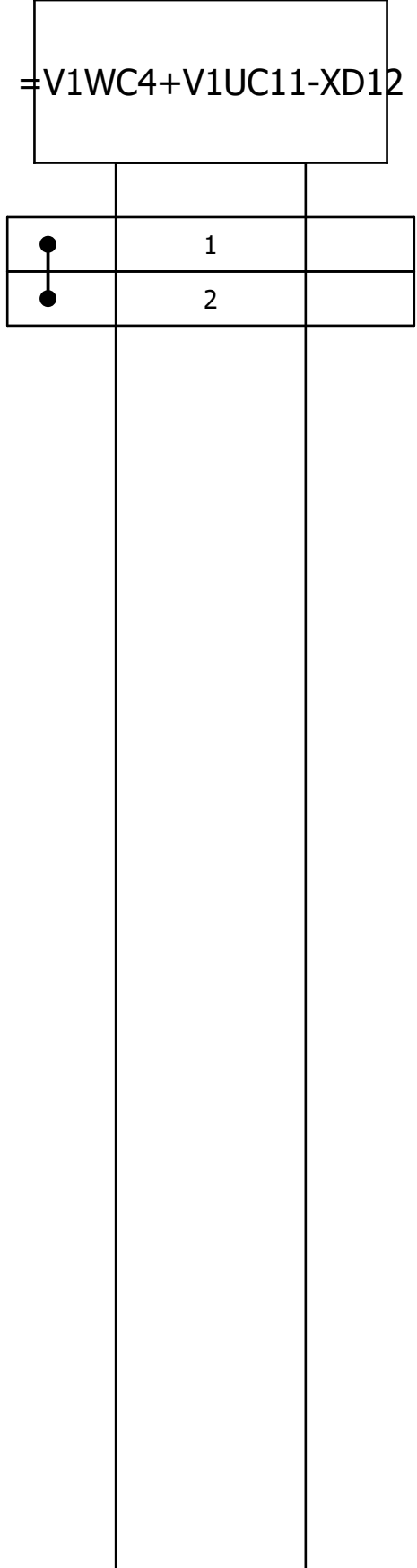
Part number					
Mounting rail			Strip label	End angle rear	End plate
Terminal					
Part number	Type number	Cross-section	Terminal label	Jumper	Cover
WEI.8731720000	ZTR 2.5/3AN	2.5			



Terminal line-up diagram

F12_001

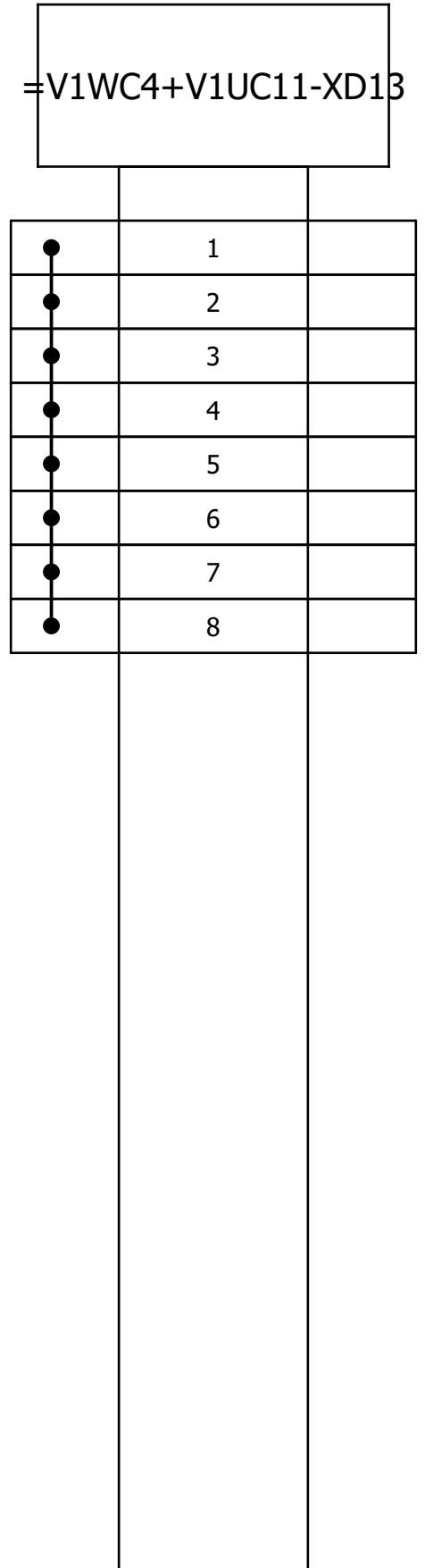
Part number					
Mounting rail			Strip label	End angle rear	End plate
Terminal					
Part number	Type number	Cross-section	Terminal label	Jumper	Cover
WEI.8731720000	ZTR 2.5/3AN	2.5			
WEI.8731720000	ZTR 2.5/3AN	2.5			



Terminal line-up diagram

F12_001

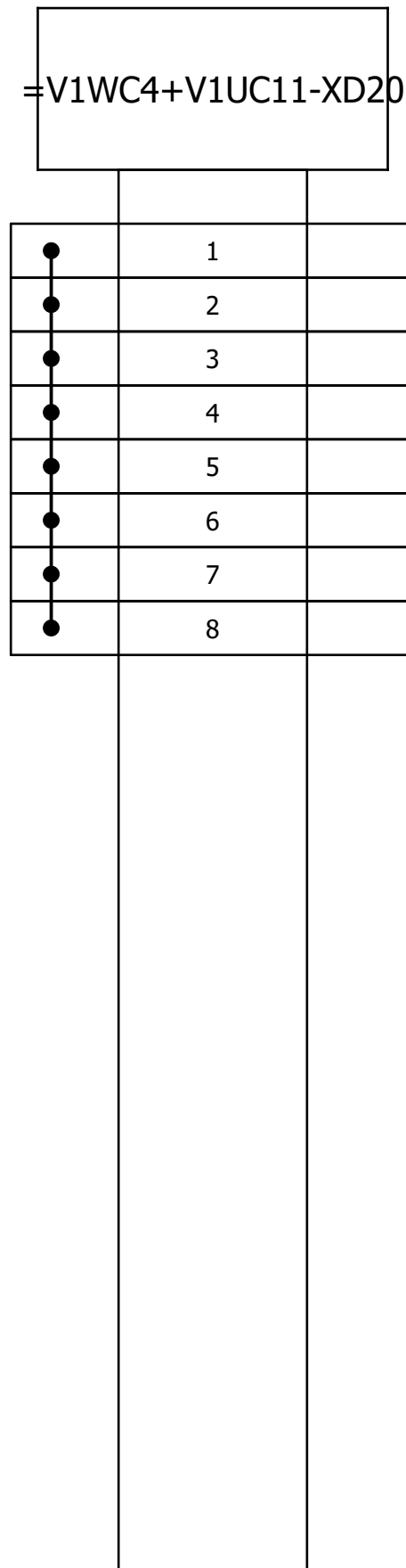
Part number					
Mounting rail			Strip label	End angle rear	End plate
Terminal					
Part number	Type number	Cross-section	Terminal label	Jumper	Cover
WEI.8731720000	ZTR 2.5/3AN	2.5			
WEI.8731720000	ZTR 2.5/3AN	2.5			
WEI.8731720000	ZTR 2.5/3AN	2.5			
WEI.8731720000	ZTR 2.5/3AN	2.5			
WEI.8731720000	ZTR 2.5/3AN	2.5			
WEI.8731720000	ZTR 2.5/3AN	2.5			
WEI.8731720000	ZTR 2.5/3AN	2.5			
WEI.8731720000	ZTR 2.5/3AN	2.5			
WEI.8731720000	ZTR 2.5/3AN	2.5			



Terminal line-up diagram

F12_001

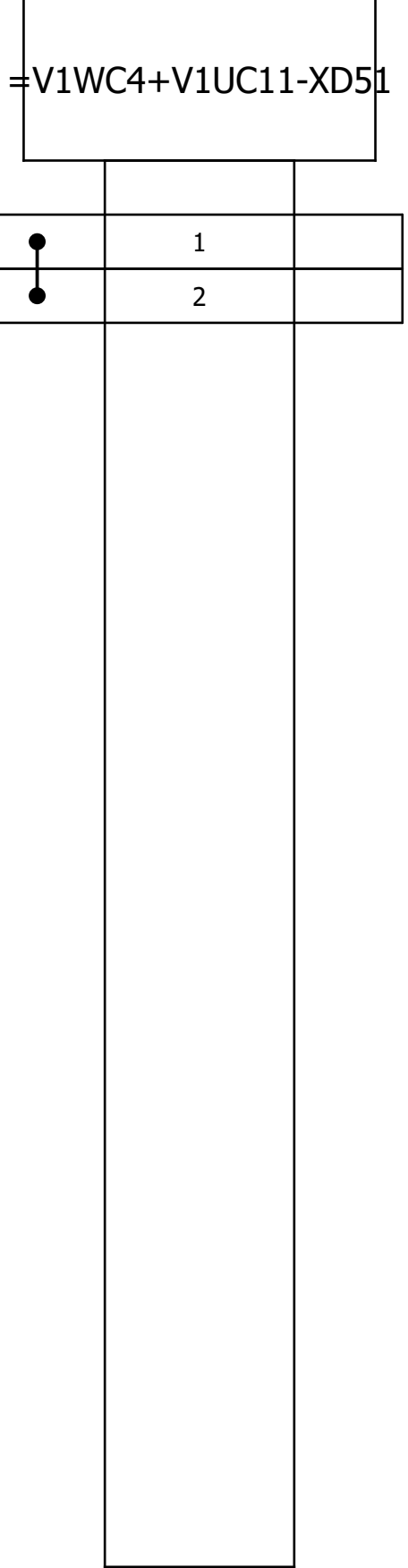
Part number					
Mounting rail			Strip label	End angle rear	End plate
Terminal					
Part number	Type number	Cross-section	Terminal label	Jumper	Cover
WEI.8731720000	ZTR 2.5/3AN	2.5			
WEI.8731720000	ZTR 2.5/3AN	2.5			
WEI.8731720000	ZTR 2.5/3AN	2.5			
WEI.8731720000	ZTR 2.5/3AN	2.5			
WEI.8731720000	ZTR 2.5/3AN	2.5			
WEI.8731720000	ZTR 2.5/3AN	2.5			
WEI.8731720000	ZTR 2.5/3AN	2.5			
WEI.8731720000	ZTR 2.5/3AN	2.5			
WEI.8731720000	ZTR 2.5/3AN	2.5			



Terminal line-up diagram

F12_001

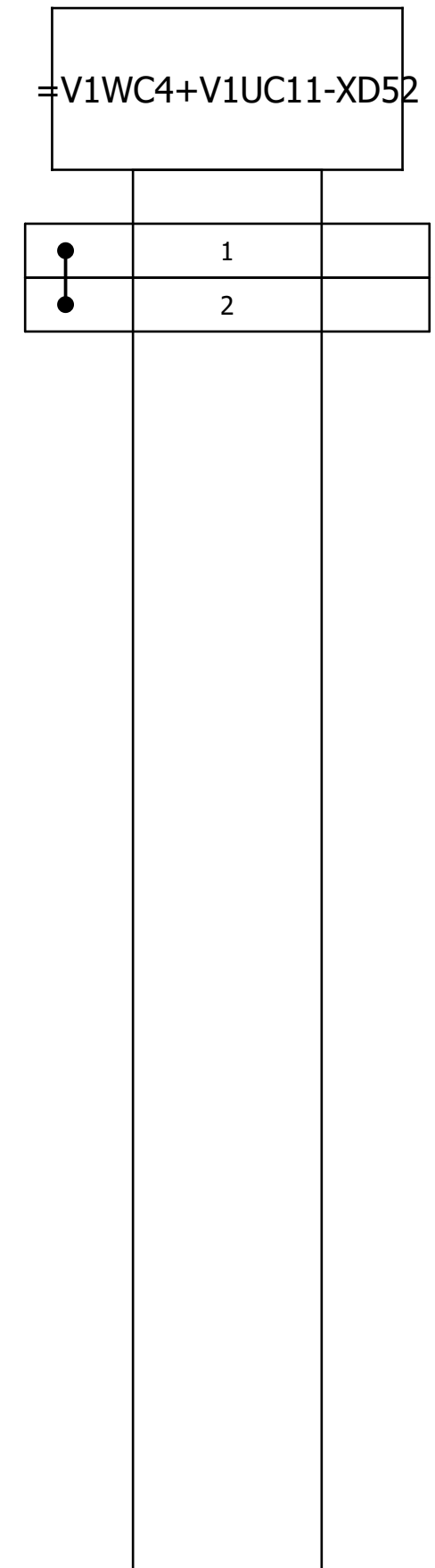
Part number					
Mounting rail			Strip label	End angle rear	End plate
Terminal					
Part number	Type number	Cross-section	Terminal label	Jumper	Cover
WEI.8731720000	ZTR 2.5/3AN	2.5			
WEI.8731720000	ZTR 2.5/3AN	2.5			



Terminal line-up diagram

F12_001

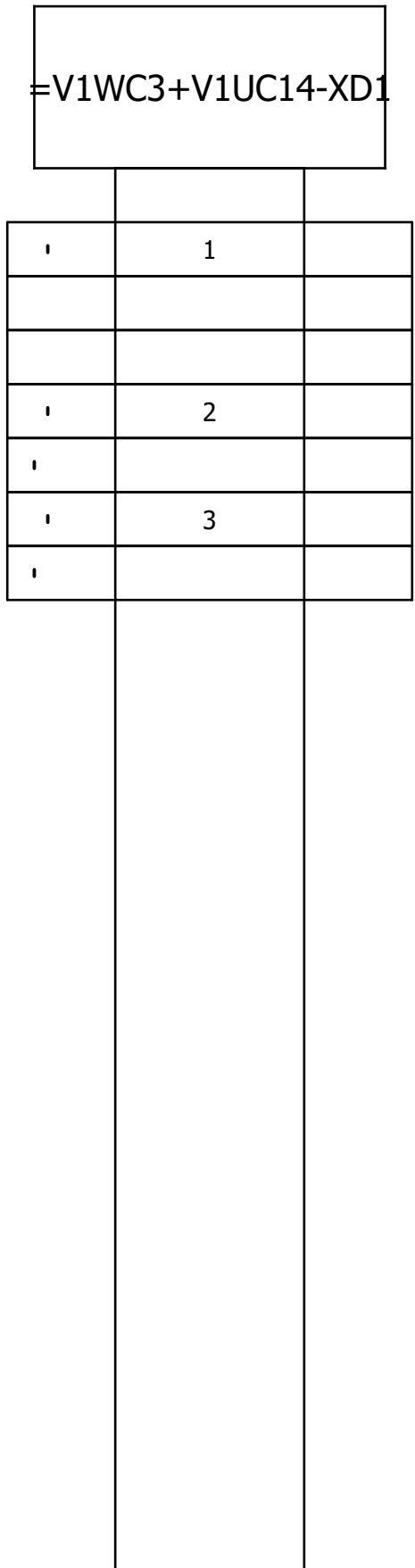
Part number					
Mounting rail			Strip label	End angle rear	End plate
Terminal					
Part number	Type number	Cross-section	Terminal label	Jumper	Cover
WEI.8731720000	ZTR 2.5/3AN	2.5			
WEI.8731720000	ZTR 2.5/3AN	2.5			



Terminal line-up diagram

F12_001

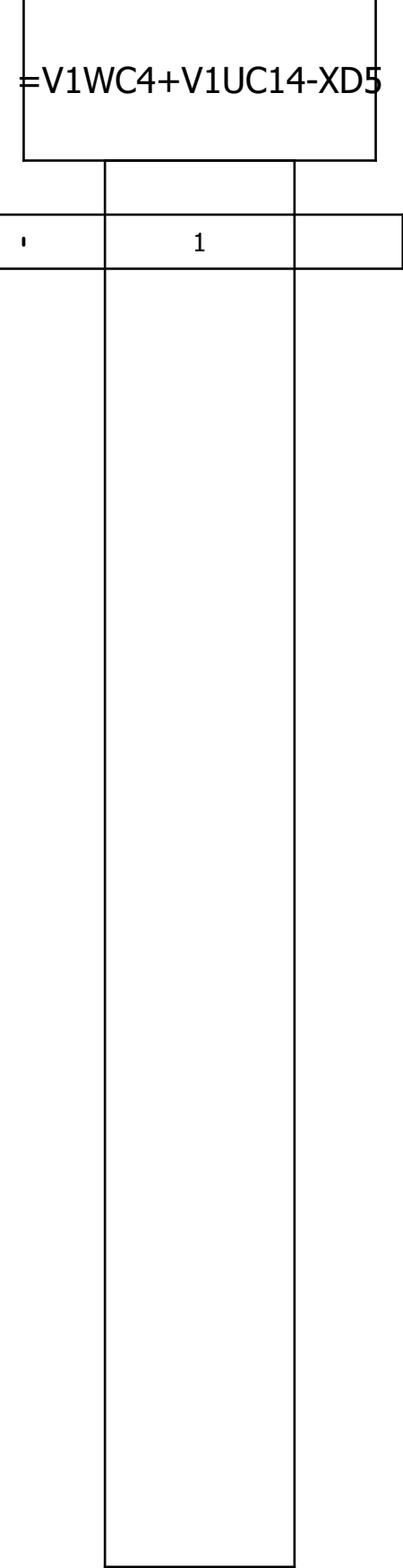
Part number					
Mounting rail			Strip label	End angle rear	End plate
Terminal					
Part number	Type number	Cross-section	Terminal label	Jumper	Cover
WEI.1608510000	ZDU 2.5	2.5			
WEI.1608740000	ZAP/TW 1				
WEI.9540000000	ZEW 35				
WEI.1608520000	ZDU 2.5 BL	2.5 mm ²			
WEI.1608520000	ZDU 2.5 BL	2.5 mm ²			



Terminal line-up diagram

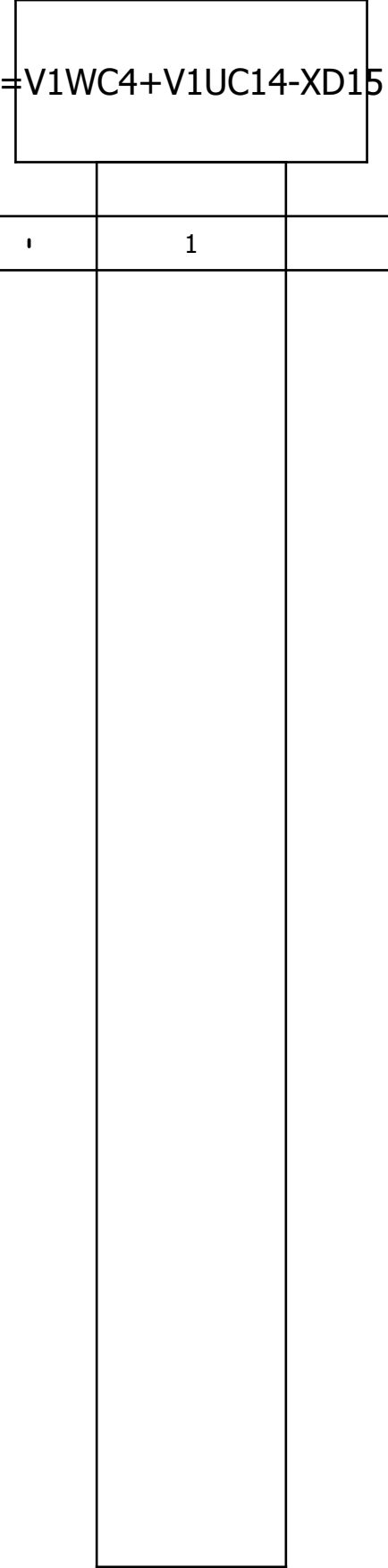
F12_001

Part number					
Mounting rail			Strip label	End angle rear	End plate
Terminal					
Part number	Type number	Cross-section	Terminal label	Jumper	Cover



Terminal line-up diagram

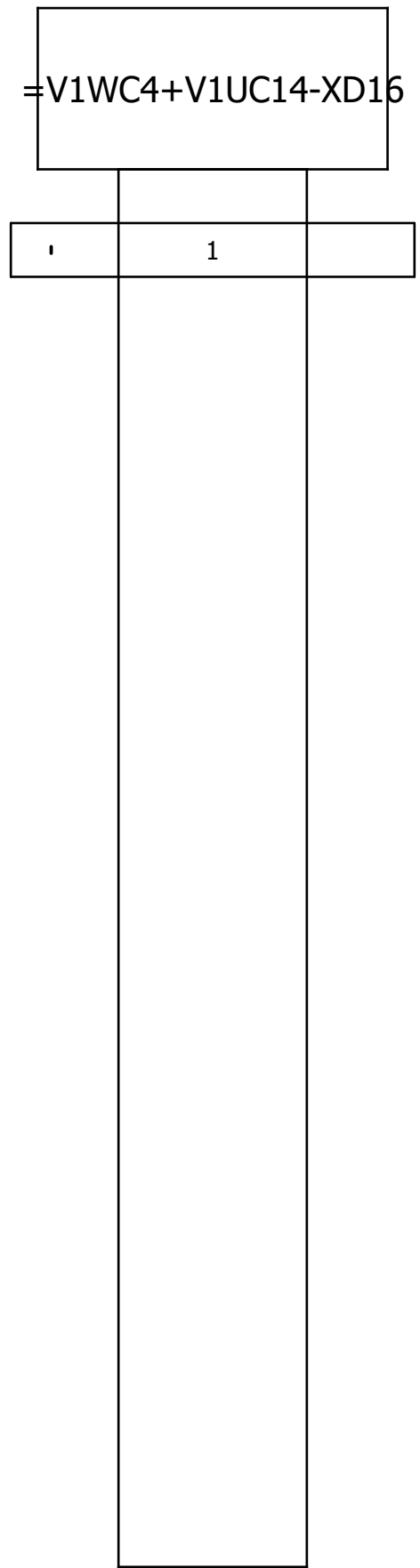
Part number					
Mounting rail			Strip label	End angle rear	End plate
Terminal					
Part number	Type number	Cross-section	Terminal label	Jumper	Cover
WEI.8731720000	ZTR 2.5/3AN	2.5			



Terminal line-up diagram

F12_001

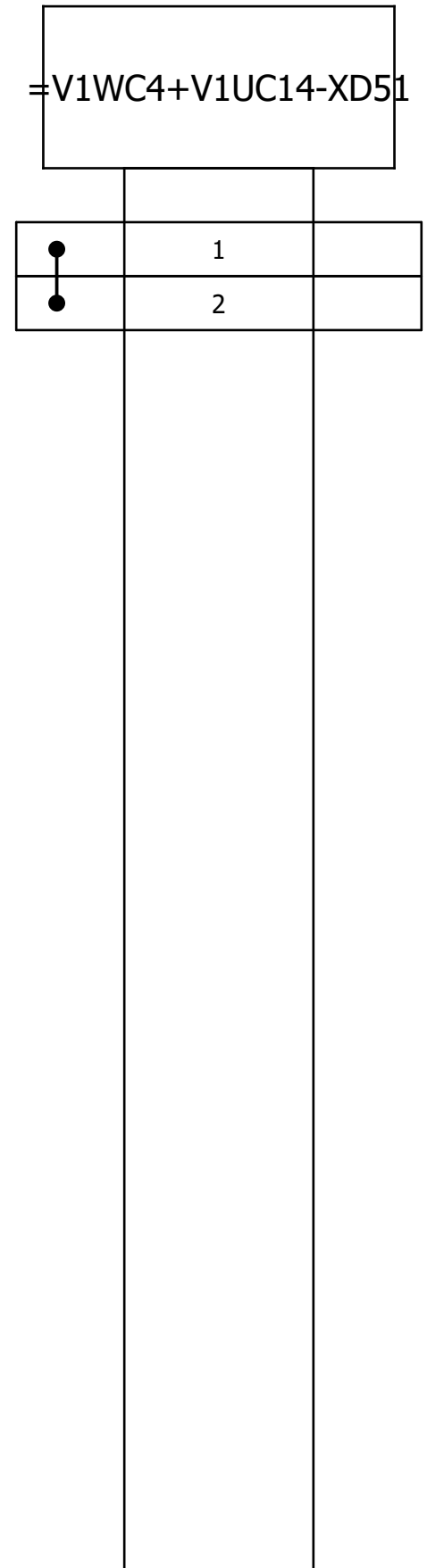
Part number					
Mounting rail			Strip label	End angle rear	End plate
Terminal					
Part number	Type number	Cross-section	Terminal label	Jumper	Cover
WEI.8731720000	ZTR 2.5/3AN	2.5			



Terminal line-up diagram

F12_001

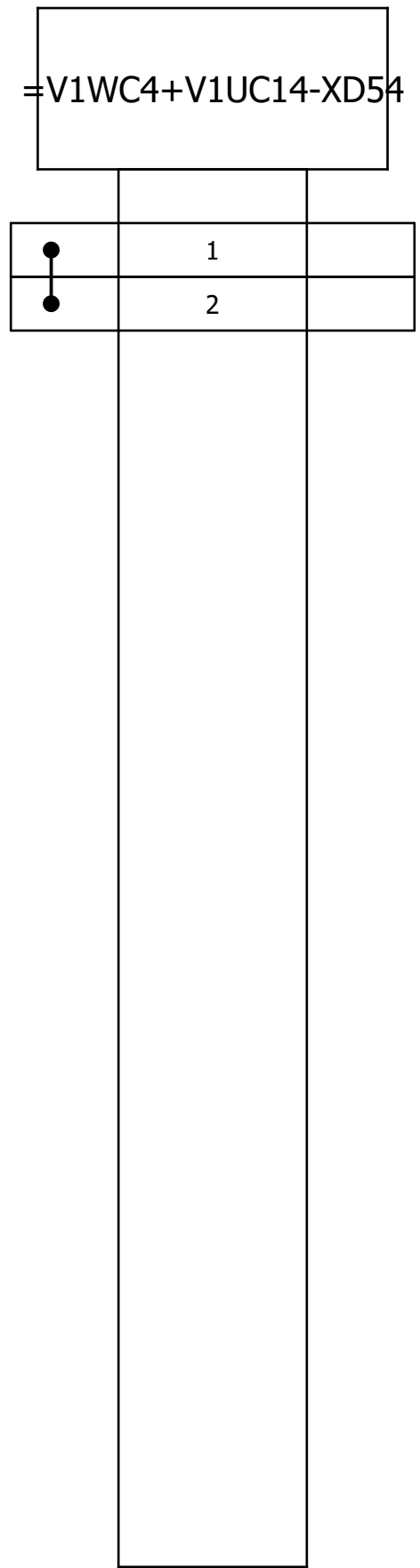
Part number					
Mounting rail			Strip label	End angle rear	End plate
Terminal					
Part number	Type number	Cross-section	Terminal label	Jumper	Cover
WEI.8731720000	ZTR 2.5/3AN	2.5			
WEI.8731720000	ZTR 2.5/3AN	2.5			



Terminal line-up diagram

F12_001

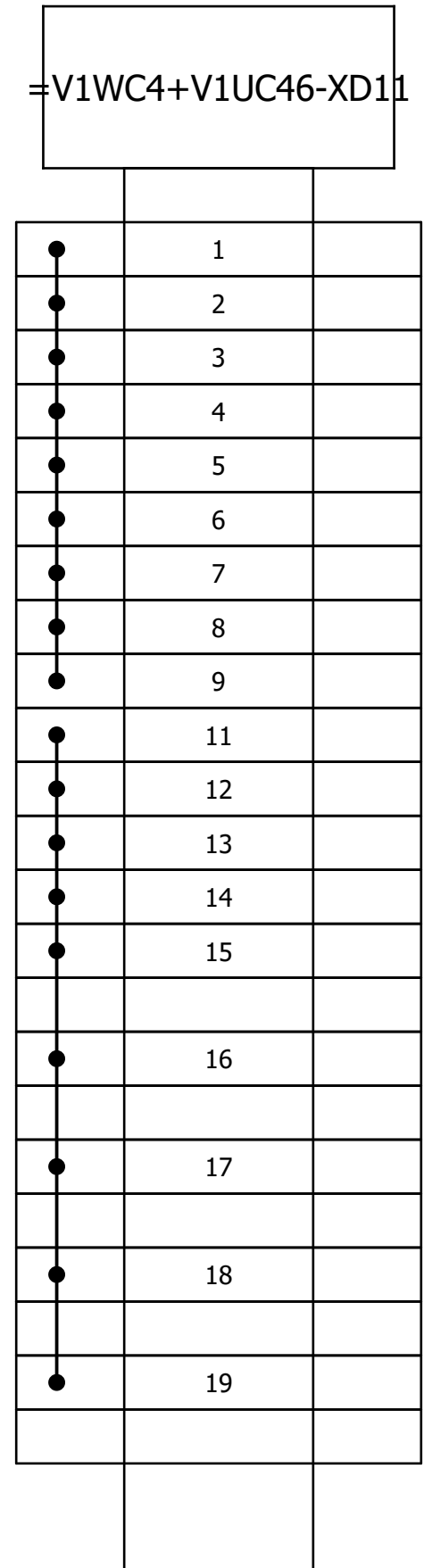
Part number					
Mounting rail			Strip label	End angle rear	End plate
Terminal					
Part number	Type number	Cross-section	Terminal label	Jumper	Cover
WEI.8731720000	ZTR 2.5/3AN	2.5			
WEI.8731720000	ZTR 2.5/3AN	2.5			



Terminal line-up diagram

F12_001

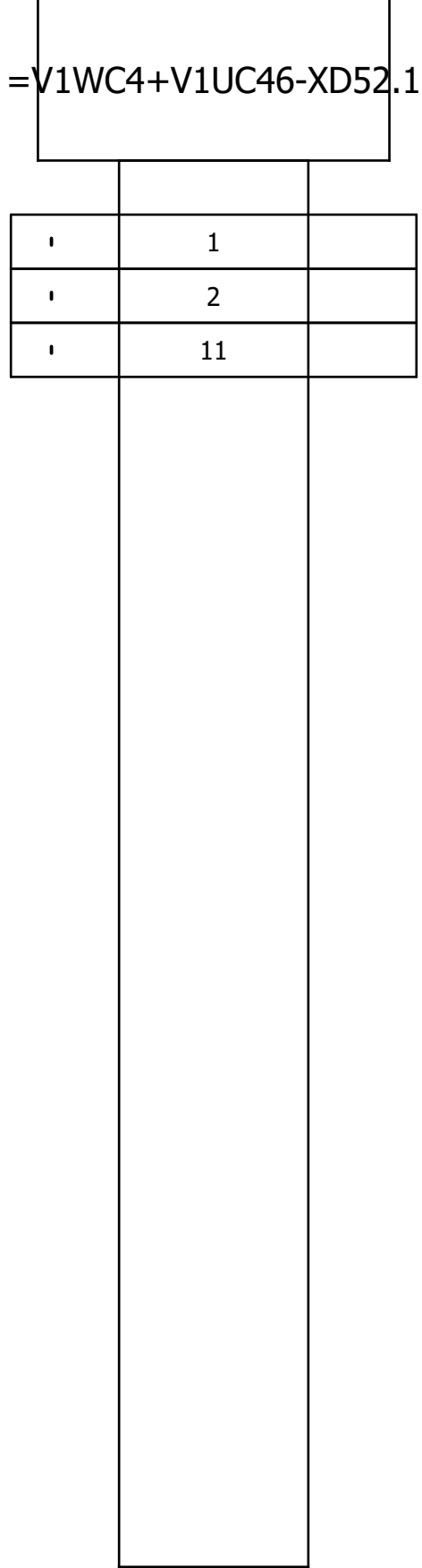
Part number					
Mounting rail			Strip label	End angle rear	End plate
Terminal					
Part number	Type number	Cross-section	Terminal label	Jumper	Cover
WEI.8731720000	ZTR 2.5/3AN	2.5			
WEI.8731720000	ZTR 2.5/3AN	2.5			
WEI.8731720000	ZTR 2.5/3AN	2.5			
WEI.8731720000	ZTR 2.5/3AN	2.5			
WEI.8731720000	ZTR 2.5/3AN	2.5			
WEI.8731720000	ZTR 2.5/3AN	2.5			
WEI.8731720000	ZTR 2.5/3AN	2.5			
WEI.8731720000	ZTR 2.5/3AN	2.5			
WEI.8731720000	ZTR 2.5/3AN	2.5			
WEI.8731720000	ZTR 2.5/3AN	2.5			
WEI.8731720000	ZTR 2.5/3AN	2.5			
WEI.8731720000	ZTR 2.5/3AN	2.5			
WEI.8731720000	ZTR 2.5/3AN	2.5			
WEI.8731720000	ZTR 2.5/3AN	2.5			
WEI.8731720000	ZTR 2.5/3AN	2.5			
WEI.1608800000	ZAP/TW 3				
WEI.8731720000	ZTR 2.5/3AN	2.5			
WEI.1608800000	ZAP/TW 3				
WEI.8731720000	ZTR 2.5/3AN	2.5			
WEI.1608800000	ZAP/TW 3				
WEI.8731720000	ZTR 2.5/3AN	2.5			
WEI.1608800000	ZAP/TW 3				
WEI.8731720000	ZTR 2.5/3AN	2.5			
WEI.1608800000	ZAP/TW 3				
WEI.8731720000	ZTR 2.5/3AN	2.5			
WEI.1608800000	ZAP/TW 3				
WEI.8731720000	ZTR 2.5/3AN	2.5			
WEI.1608800000	ZAP/TW 3				



Terminal line-up diagram

F12_001

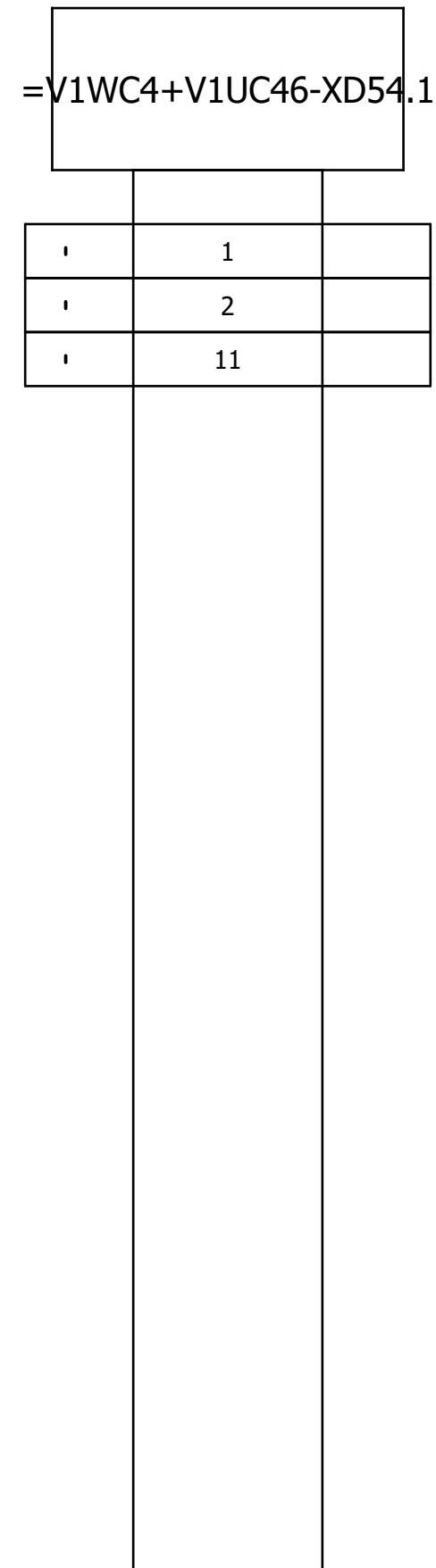
Part number					
Mounting rail			Strip label	End angle rear	End plate
Terminal					
Part number	Type number	Cross-section	Terminal label	Jumper	Cover
WEI.8731720000	ZTR 2.5/3AN	2.5			
WEI.8731720000	ZTR 2.5/3AN	2.5			
WEI.8731720000	ZTR 2.5/3AN	2.5			



Terminal line-up diagram

F12_001

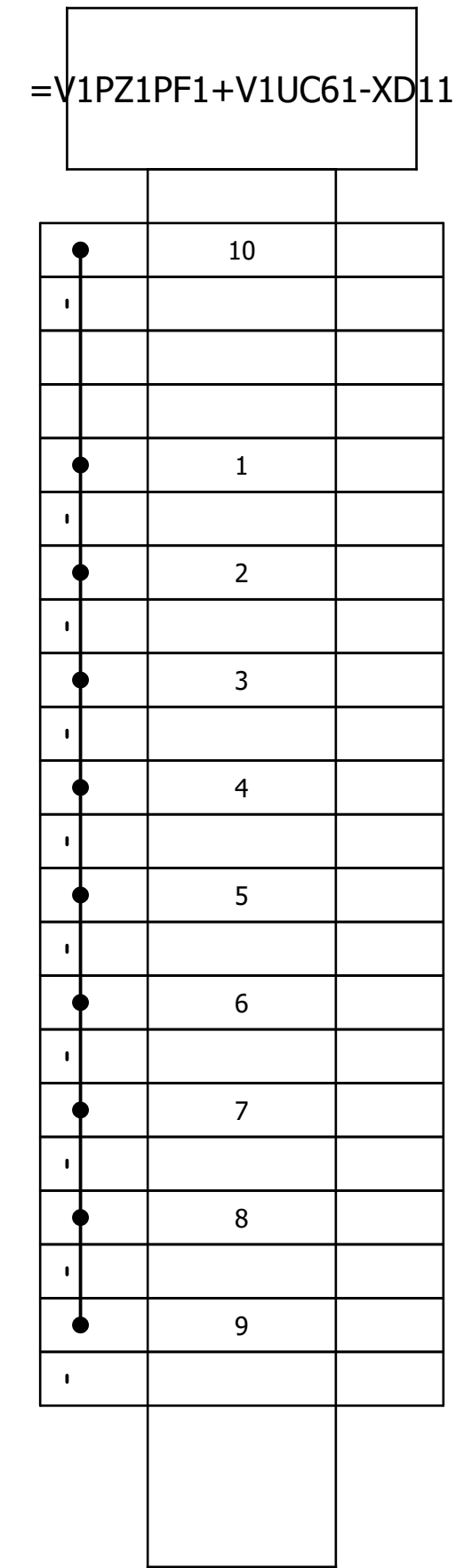
Part number					
Mounting rail			Strip label	End angle rear	End plate
Terminal					
Part number	Type number	Cross-section	Terminal label	Jumper	Cover
WEI.8731720000	ZTR 2.5/3AN	2.5			
WEI.8731720000	ZTR 2.5/3AN	2.5			
WEI.8731720000	ZTR 2.5/3AN	2.5			



Terminal line-up diagram

F12_001

Part number					
Mounting rail			Strip label	End angle rear	End plate
Terminal					
Part number	Type number	Cross-section	Terminal label	Jumper	Cover
WEI.1608520000	ZDU 2.5 BL	2.5 mm ²			
WEI.1608740000	ZAP/TW 1				
WEI.9540000000	ZEW 35				
WEI.1608520000	ZDU 2.5 BL	2.5 mm ²			
WEI.1608520000	ZDU 2.5 BL	2.5 mm ²			
WEI.1608520000	ZDU 2.5 BL	2.5 mm ²			
WEI.1608520000	ZDU 2.5 BL	2.5 mm ²			
WEI.1608520000	ZDU 2.5 BL	2.5 mm ²			
WEI.1608520000	ZDU 2.5 BL	2.5 mm ²			
WEI.1608520000	ZDU 2.5 BL	2.5 mm ²			
WEI.1608520000	ZDU 2.5 BL	2.5 mm ²			
WEI.1608520000	ZDU 2.5 BL	2.5 mm ²			
WEI.1608520000	ZDU 2.5 BL	2.5 mm ²			
WEI.1608520000	ZDU 2.5 BL	2.5 mm ²			
WEI.1608520000	ZDU 2.5 BL	2.5 mm ²			
WEI.1608520000	ZDU 2.5 BL	2.5 mm ²			



51

&EXX/1

Summarized parts list

F02_001

Order number	Quantity	Description Designation	Type number Part number	Manufacturer Supplier	Unit price	Total price	Pos.
	6 Piece	Mounting rail EN 50 022 (35x7,5)	TS 35_7,5 TS 35_7,5		0.00	0.00	
	0					0.00	
ECGB5	2 Piece	Ground bar kit, 5 positions.	ECGB5 US2.ECGB5	SIE SIE	0.00	0.00	
C1.5LG6	2 ft	Wiring Duct Covers, PVC	C1.5LG6 PAN.C1.5LG6	PAN PAN	0.00	0.00	
C1LG6	1 ft	Wiring Duct Covers, PVC	C1LG6 PAN.C1LG6	PAN PAN	0.00	0.00	
G1.5X4LG6	2 ft	Wide Slotted Wiring Duct, PVC	G1.5X4LG6 PAN.G1.5X4LG6	PAN PAN	0.00	0.00	
G1X4LG6	1 ft	Wide Slotted Wiring Duct, PVC	G1X4LG6 PAN.G1X4LG6	PAN PAN	0.00	0.00	
6ES5710-8MA11	2	STAND.SECTIONAL RAIL 35MM, LENGTH 483MM	6ES5710-8MA11 SIE.6ES5710-8MA11	SIE Siemens AG	0.00	0.00	
5386050	1 pc(s).	PC PC enclosure system, WHD: 800x1600x600 mm, Sheet steel	PC.5386050 RIT.5386050	RIT RIT	0.00	0.00	
	1		TS 8617.580		0.00	0.00	
	1		TS 8640.003		0.00	0.00	
	1		TS 8640.033		0.00	0.00	
E4PBG	2 piece	Pushbutton Enclosure, Type 12, 4PB, 22.5mm holes, 10.00Hx3.25Wx2.75D, Gray, Steel	E4PBG HOFFMAN.E4PBG	HOFFMAN HOFFMAN	0.00	0.00	
ASPBG	2 piece	Hol-Sealers Hole Seal, 1.22" diameter, Gray, Steel	ASPBG ASPBG	HOFFMAN HOFFMAN	0.00	0.00	
1SFA616915R1005	2 Piece	LEGEND PLATET KTC15-1005	KTC15-1005 ABB.1SFA616915R1005	ABB	0.00	0.00	
1SFA619550R1051	1 PCE	EMERGENCY STOP CE4T-10R-02	CE4T-10R-02 ABB.1SFA619550R1051	ABB ABB	0.00	0.00	
6ES7515-2FM02-0AB0	1	CPU 1515F-2 PN, 750KB Prog.,3MB Data	6ES7515-2FM02-0AB0 SIE.6ES7515-2FM02-0AB0	SIE SIE	0.00	0.00	
6ES7590-1AB60-0AA0	1	MOUNTING RAIL 160MM (6.3")	6ES7590-1AB60-0AA0 SIE.6ES7590-1AB60-0AA0	SIE SIE	0.00	0.00	
6ES7155-6AA01-0BN0	4	ET 200SP, IM155-6PN ST INCL. BA 2XRJ45	6ES7155-6AA01-0BN0 SIE.6ES7155-6AA01-0BN0	SIE SIE	0.00	0.00	

&ETT/52

2

Date	1/17/2023	Volvo Trucks North America	Valiant TMS	Summarized parts list : TS 35_7,5 - SIE.6ES7155-6AA01-0BN0	Drawing name: =2V07&EFS-EL	=
Ed.	MKLEPADLO	P6700 Roof Inr & Dr Ring LH - Cell 2V07	Scale 1:1		Document type:	+
Appr					EXX	Project nr: 22-16144
Modification	Date	Name	Original	Replacement of	Replaced by	509

Summarized parts list

F02_001

Order number	Quantity	Description Designation	Type number Part number	Manufacturer Supplier	Unit price	Total price	Pos.
6ES7131-6BH01-0BA0	8	ET 200SP, DI 16x 24V DC ST, PU 1	6ES7131-6BH01-0BA0 SIE.6ES7131-6BH01-0BA0	SIE SIE	0.00	0.00	
6ES7132-6BH01-0BA0	3	ET 200SP, DQ 16x 24V DC/0,5A ST, PU 1	6ES7132-6BH01-0BA0 SIE.6ES7132-6BH01-0BA0	SIE SIE	0.00	0.00	
6ES7136-6BA01-0CA0	1	ET 200SP, EI-Mod., F-DI 8x24VDC HF	6ES7136-6BA01-0CA0 SIE.6ES7136-6BA01-0CA0	SIE SIE	0.00	0.00	
6GK5615-0AA00-2AA2	1	SCALANCE S615	6GK5615-0AA00-2AA2 SIE.6GK5615-0AA00-2AA2	SIE SIE	0.00	0.00	
6GK5216-0BA00-2AC2	3	SCALANCE XC216	6GK5216-0BA00-2AC2 SIE.6GK5216-0BA00-2AC2	SIE SIE	0.00	0.00	
RJ45S FKSDED 423-1M	58	Profinet cable - RJ45 plug to M12 Female receptacle; 1m long	RJ45S FKSDED 423-1M TUR.RJ45S FKSDED 423-1M	TURCK TURCK	0.00	0.00	
	2		4000-73000-0180000		0.00	0.00	
8WD4408-0AA	2 piece	Signaling column connection element for pipe mounting incl. end	8WD4408-0AA SIE.8WD4408-0AA	SIE SIE	0.00	0.00	
8WD4420-0EA2	2 piece	Signaling column multifunctional siren element different sounds	8WD4420-0EA2 SIE.8WD4420-0EA2	SIE SIE	0.00	0.00	
8WD4420-5AB	2 piece	Signaling column continuous light element LED red, 24 V AC/DC	8WD4420-5AB SIE.8WD4420-5AB	SIE SIE	0.00	0.00	
8WD4420-5AC	2 piece	Signaling column continuous light element LED green, 24 V AC/DC	8WD4420-5AC SIE.8WD4420-5AC	SIE SIE	0.00	0.00	
1SFA619100R1022	1 PCE	PUSHBUTTON CP1-10G-20	CP1-10G-20 ABB.1SFA619100R1022	ABB ABB	0.00	0.00	
1SFA619100R1023	1 PCE	PUSHBUTTON CP1-10Y-20	CP1-10Y-20 ABB.1SFA619100R1023	ABB ABB	0.00	0.00	
1SFA619100R1111	1 PCE	PUSHBUTTON CP1-11R-10 24V AC/DC	CP1-11R-10 ABB.1SFA619100R1111	ABB ABB	0.00	0.00	
1SFA619100R1026	1 PCE	PUSHBUTTON CP1-10B-20	CP1-10B-20 ABB.1SFA619100R1026	ABB ABB	0.00	0.00	
1SFA619100R1118	1 PCE	PUSHBUTTON CP1-11C-10	CP1-11C-10 ABB.1SFA619100R1118	ABB ABB	0.00	0.00	
1SFA619200R1016	1 PCE	SELECTOR SWITCH C2SS1-10B-10	C2SS1-10B-10 ABB.1SFA619200R1016	ABB ABB	0.00	0.00	
2CDS271337R0104	3 PCE	Miniature Circuit Breaker - SU200 M - 1P - C - 10 A	SU201M-C10 ABB.2CDS271337R0104	ABB ABB	0.00	0.00	
6EP19612BA41	2	4x3-10A	6EP1961-2BA41 SIE.6EP1961-2BA41	SIE SIE	0.00	0.00	

1

3

Date	1/17/2023	Volvo Trucks North America	Valiant TMS	Summarized parts list : SIE.6ES7131-6BH01-0BA0 - SIE.6EP1961-2BA41	Drawing name: =2V07&EFS-EL	=
Ed.	MKLEPADLO	P6700 Roof Inr & Dr Ring LH - Cell 2V07	Scale 1:1		Document type:	Project nr:
Appr					EXX	22-16144
Modification	Date	Name	Original	Replacement of	Replaced by	
						509

Summarized parts list

F02_001

Order number	Quantity	Description Designation	Type number Part number	Manufacturer Supplier	Unit price	Total price	Pos.
6EP4134-3AB00-2AY0	1	SITOP UPS1600	6EP4134-3AB00-2AY0 SIE.6EP4134-3AB00-2AY0	SIE	0.00	0.00	
6EP4134-0GB00-0AY0	1	SITOP UPS1100	6EP4134-0GB00-0AY0 SIE.6EP4134-0GB00-0AY0	SIE SIE	0.00	0.00	
6EP3336-7SB00-3AX0	5	SITOP PSU6200 1ph 24 V/20 A	6EP3336-7SB00-3AX0 SIE.6EP3336-7SB00-3AX0	SIE	0.00	0.00	
EMPD3FBCB-025A-M	4		EMPD3FBCB-025A-M EMPD3FBCB-025A-M	Electro-Matic Electro-Matic	0.00	0.00	
2CMA193115R1000	3	Surface socket-outlet	ABB.2CMA193115R1000	ABB ABB	0.00	0.00	
1625891	3 piece	Inductive sensor	NI50U-CK40-AP6X2-H1141/S1590 W/BS4_A TUR.1625891	TUR Turck	0.00	0.00	
	1		TUR.1625891.			0.00	
72294	1 piece	Discrete Q60: Proximity Mode	Q60BB6LAF1400QPMA BAN.72294	BANNER BANNER	0.00	0.00	
73086	1 piece	QS30 Series Fixed-Field Sensor	QS30FF200Q BAN.73086	BANNER BANNER	0.00	0.00	
VB2-FSM 4.4/2FKM 4/S3450	32	Y splitter	U2-30676 TUR.VB2-FSM 4.4/2FKM 4/S3450	TURCK TURCK	0.00	0.00	
548755	0	Bus node	CPX-FB33 FES.548755	FES FES	0.00	0.00	
550208	0	Interlinking block	CPX-M-GE-EV-S-7/8-5POL FES.550208	FES FES	0.00	0.00	
549335	0	Manifold block	CPX-M-AB-8-M12X2-5POL FES.549335	FES FES	0.00	0.00	
1324638	24 piece	Inductive sensor Monitoring Kit for Power Clamps	1324638 TUN.1324638	TUNKERS TUNKERS	0.00	0.00	
1324644	23 piece	Inductive sensor Monitoring Kit for Power Clamps	1324644 TUN.1324644	TUNKERS TUNKERS	0.00	0.00	
1627297	30 piece	Inductive sensor	BI20U-CA40-AP6X2-H1141/S1590W/BS2.0 TUR.1627297	TUR Turck	0.00	0.00	
73093	5 piece	QS30 Series Fixed-Field Sensor	QS30FF600QPMA16 BAN.73093	BANNER BANNER	0.00	0.00	
1644831	4 piece	Inductive sensor	BI10U-MT18-AP6X-H1141 TUR.1644831	TUR	0.00	0.00	
SLSCP30-1200P44NT	6	EZ-Screen System	SLSCP30-1200P44NT BAN.SLSCP30-1200P44NT	BANNER BANNER	0.00	0.00	

2

4

Date	1/17/2023	Volvo Trucks North America	Valiant TMS	Summarized parts list : SIE.6EP4134-3AB00-2AY0 -	Drawing name:	=		
Ed.	MKLEPADLO	P6700 Roof Inr & Dr Ring LH - Cell 2V07	Scale 1:1	BAN.SLSCP30-1200P44NT	=2V07&EFS-EL	+		
Appr				Document type:	Project nr:	Page	3	
Modification	Date	Name	Original	Replacement of	Replaced by	EXX	22-16144	509

Summarized parts list

F02_001

Order number	Quantity	Description Designation	Type number Part number	Manufacturer Supplier	Unit price	Total price	Pos.
SLSCP30-1200P88	1	EZ-Screen System	SLSCP30-1200P88 BAN.SLSCP30-1200P88	BANNER BANNER	0.00	0.00	
MGB-L2B-PNA-R-121859	3 Piece	SWITCH	MGB-L2B-PNA-R-121859 EUC.MGB-L2B-PNA-R-121859	EUCHNER EUCHNER	0.00	0.00	
MGB-H-AA1A2-R-106049	3 Piece	HANDLE	MGB-H-AA1A2-R-106049 EUC.MGB-H-AA1A2-R-106049	EUCHNER EUCHNER	0.00	0.00	
MGB-A-MOUNTINGPLATE-H-109491	3 Piece	MOUNTING PLATE	MGB-A-MOUNTINGPLATE-H-109491 EUC.MGB-A-MOUNTINGPLATE-H-109491	EUCHNER EUCHNER	0.00	0.00	
MGB-E-A2-106051	3 Piece	ESCAPE RELEASE	MGB-E-A2-106051 EUC.MGB-E-A2-106051	EUCHNER EUCHNER	0.00	0.00	
	6		A-B.440F-M2036HYNN			0.00	
	12		TUR.16447411			0.00	
6ES7136-6BA00-0CA0	4	ET 200SP, EI-Mod., F-DI 8x24VDC HF	6ES7136-6BA00-0CA0 SIE.6ES7136-6BA00-0CA0	SIE SIEMENS	0.00	0.00	
6ES7136-6DB00-0CA0	5	ET 200SP, EI-Mod., F-DQ 4xDC 24V/2A	6ES7136-6DB00-0CA0 SIE.6ES7136-6DB00-0CA0	SIE	0.00	0.00	
6ES7136-6RA00-0BF0	12	ET 200SP, F-RQ 1x24VDC/24..230VAC/5A ST	6ES7136-6RA00-0BF0 SIE.6ES7136-6RA00-0BF0	SIE	0.00	0.00	
6ES7193-6BP20-0BF0	8	BASEUNIT TYPE F0, BU20-P8+A4+0B	6ES7193-6BP20-0BF0 SIE.6ES7193-6BP20-0BF0	SIE SIE	0.00	0.00	
6ES7193-6BP00-0DA0	2	BASEUNIT TYPE A0, BU15-P16+A0+2D	6ES7193-6BP00-0DA0 SIE.6ES7193-6BP00-0DA0	SIE SIE	0.00	0.00	
	1		SIE.6GK1900-0AB10			0.00	
6GK5208-0BA00-2AC2	1	SCALANCE XC208	6GK5208-0BA00-2AC2 SIE.6GK5208-0BA00-2AC2	SIE SIE	0.00	0.00	
1050000	1 piece	Compact enclosure AX	AX.1050000 RIT.1050000	RIT	0.00	0.00	
8WD4420-5AD	1 piece	Signaling column continuous light element LED yellow, 24 V AC/DC	8WD4420-5AD SIE.8WD4420-5AD	SIE SIE	0.00	0.00	
8WD4420-5AF	1 piece	Signaling column continuous light element LED blue, 24 V AC/DC	8WD4420-5AF SIE.8WD4420-5AF	SIE SIE	0.00	0.00	
1574000	1 piece	Small enclosures KX	KX.1574000 RIT.1574000	RIT	0.00	0.00	
RSF 106-2M/14.5/NPT/CS16486	1	RECEPTACLE 1-1/8" MINIFAST 10P MALE 2M	RSF 106-2M/14.5/NPT/CS16486 TUR.RSF 106-2M/14.5/NPT/CS16486	TURCK TURCK	0.00	0.00	

3

5

Date	1/17/2023	Volvo Trucks North America	Valiant TMS	Summarized parts list : BAN.SLSCP30-1200P88 - TUR.RSF 106-2M/14.5/NPT/CS16486	Drawing name: =2V07&EFS-EL	=
Ed.	MKLEPADLO	P6700 Roof Inr & Dr Ring LH - Cell 2V07	Scale 1:1		Document type:	+
Appr					EXX	Project nr: 22-16144
Modification	Date	Name	Original	Replaced by		Page 509

Summarized parts list

F02_001

Order number	Quantity	Description Designation	Type number Part number	Manufacturer Supplier	Unit price	Total price	Pos.
6AV2124-0GC01-0AX0	1	SIMATIC HMI TP700 COMFORT	6AV2124-0GC01-0AX0 SIE.6AV2124-0GC01-0AX0	SIE SIE	0.00	0.00	
RJ45S FKSDED 423-0.5M	2	Profinet cable - RJ45 plug to M12 Female receptacle; 0.5m long	RJ45S FKSDED 423-0.5M TUR.RJ45S FKSDED 423-0.5M	TURCK TURCK	0.00	0.00	
6315150	1 piece	Compact enclosure AX	AX.6315150 RIT.6315150	RIT RIT	0.00	0.00	
5051300	1 pc(s).	Accessory bag, for AX	AX.5051300 RIT.5051300	RIT RIT	0.00	0.00	
5051368	1 pc(s).	Mounting plate, for AX	AX.5051368 RIT.5051368	RIT RIT	0.00	0.00	
RSF 50-1M/NPT	1	RECEPTACLE MINI 5P MALE 1M	RSF 50-1M/NPT TUR.RSF 50-1M/NPT	TURCK TURCK	0.00	0.00	
SSA-EBM-12EB1Q8OTBB	3 piece	Push-to-Stop, Twist-to-Release Electro-Mechanical Push Buttons	SSA-EBM Series BAN.SSA-EBM-12EB1Q8OTBB	BANNER BANNER	0.00	0.00	
802T-AMP	2	NEMA Limit Switch - NEMA Type 4 & 13 Oiltight Construction	802T-AMP A-B.802T-AMP	A-B A-B	0.00	0.00	
55339	3 Piece	MVK-MPNIO DI8 DO8 FSU	MVK-MPNIO DI8 DO8 FSU MURR.55339	MURR MURR	0.00	0.00	
805371	4 piece	K50L Series Daylight Visible Indicators	K50L2RGB7QP BAN.805371	BANNER BANNER	0.00	0.00	
SMB30A	4	Mounting kit	SMB30A BAN.32723	BANNER BANNER	0.00	0.00	
C2LG6	1 ft	Wiring Duct Covers, PVC	C2LG6 PAN.C2LG6	PAN PAN	0.00	0.00	
G2X4LG6	1 ft	Wide Slotted Wiring Duct, PVC	G2X4LG6 PAN.G2X4LG6	PAN PAN	0.00	0.00	
1635291	1 piece	Inductive sensor	BI5U-MT18-AP6X2-H1141/S395/S1589 TUR.1635291	TURCK TURCK	0.00	0.00	
3VA5195-6ED31-0AAA	1	MCCB_UL_FS125_15A_3P_65KA_TM_FTFM	3VA5195-6ED31-0AAA SIE.3VA5195-6ED31-0AAA	SIE SIE	0.00	0.00	
3VA9977-0TA20	1	BREAKER DATA SERVER, COM100	3VA9977-0TA20 SIE.3VA9977-0TA20	SIE SIE	0.00	0.00	
7KM9300-0AE02-0AAA	1 Piece	Switched Ethernet PROFINET Module V3	7KM9300-0AE02-0AAA SIE.7KM9300-0AE02-0AAA	SIE	0.00	0.00	
3VA6225-6KP31-0AAA	1	MCCB_UL_FS250_250A_3P_65KA_ETU8_LSI	3VA6225-6KP31-0AAA SIE.3VA6225-6KP31-0AAA	SIE SIE	0.00	0.00	
3VA9177-0TB10	1	COMMUNICATION MODULE COM060	3VA9177-0TB10 SIE.3VA9177-0TB10	SIE SIE	0.00	0.00	

4

6

Date	1/17/2023	Volvo Trucks North America	Valiant TMS	Summarized parts list : SIE.6AV2124-0GC01-0AX0 - SIE.3VA9177-0TB10	Drawing name: =2V07&EFS-EL	=
Ed.	MKLEPADLO	P6700 Roof Inr & Dr Ring LH - Cell 2V07	Scale 1:1		Document type:	+
Appr					EXX	Project nr: 22-16144
Modification	Date	Name	Original	Replacement of	Replaced by	509

Summarized parts list


F02_001

Order number	Quantity	Description Designation	Type number Part number	Manufacturer Supplier	Unit price	Total price	Pos.
	1		PTN102-3K			0.00	
R-3W2MT-LMF	1 piece	Multi-Environment Voltage Indicator and Safe-Test Point Combination for R-3W2MT-LMF	R-3W2MT-LMF	GT	0.00	0.00	
3VA5120-6ED31-0AA0	1	MCCB_UL_FS125_20A_3P_65KA_TM_FTFM	3VA5120-6ED31-0AA0 SIE.3VA5120-6ED31-0AA0	SIE SIE	0.00	0.00	
PTN102-7.5K	1 Piece	Transformer	PTN102-7.5K PTN102-7.5K	POWERTRAN POWERTRAN	0.00	0.00	
CPB-E2G06-03	0	3P DISTRIBUTION BLOCK 2 LINE / 6 LOAD	CPB-E2G06-03 CPB-E2G06-03	SYNDEVCO SYNDEVCO	0.00	0.00	
HCG-E2G06	0	3P GROUND BLOCK 2 LINE / 6 LOAD	HCG-E2G06 HCG-E2G06	SYNDEVCO SYNDEVCO	0.00	0.00	
5SJ4120-7HG41	1	CIRCUIT BREAKER 240V 14KA, 1-POLE, C, 20A, D=70MM	5SJ4120-7HG41 SIE.5SJ4120-7HG41	SIE SIE	0.00	0.00	
5ST3010-0HG	11	AUXILARY SWITCH 1NO1NC UL489	5ST3010-0HG SIE.5ST3010-0HG	SIE SIE	0.00	0.00	
5SJ4106-7HG41	3	CIRCUIT BREAKER 240V 14KA, 1-POLE, C, 6A, D=70MM	5SJ4106-7HG41 SIE.5SJ4106-7HG41	SIE SIE	0.00	0.00	
5SJ4103-7HG41	2	CIRCUIT BREAKER 240V 14KA, 1-POLE, C, 3A, D=70MM	5SJ4103-7HG41 SIE.5SJ4103-7HG41	SIE SIE	0.00	0.00	
5SJ4116-7HG41	7	CIRCUIT BREAKER 240V 14KA, 1-POLE, C, 16A, D=70MM	5SJ4116-7HG41 SIE.5SJ4116-7HG41	SIE SIE	0.00	0.00	
5SJ4130-7HG41	1	CIRCUIT BREAKER 240V 14KA, 1-POLE, C, 30A, D=70MM	5SJ4130-7HG41 SIE.5SJ4130-7HG41	SIE SIE	0.00	0.00	
1SNL317510R0000	4	DBL175 Series Distribution Block	1SNL317510R0000 1SNL317510R0000	ENTRELEC ENTRELEC	0.00	0.00	
P-P11#2R2-K3RD5	2 piece	Panel Interface Connector with USB Type A/F to USB Type A/M (Qty: 2, Category: K3RD5; Panel Mount Housing; UL Type 4; Duplex Outlet; 5 Amp Circuit Breaker	P-P11#2R2-K3RD5	GT_N	0.00	0.00	
RSF 36-1M W/LN	1	RECEPTACLE MINI 3P MALE 1M	RSF 36-1M W/LN TUR.RSF 36-1M W/LN	TURCK TURCK	0.00	0.00	
6EP4438-7FB00-3DX0	4	SITOP SEL1200 8 x 10A	6EP4438-7FB00-3DX0 SIE.6EP4438-7FB00-3DX0	SIE	0.00	0.00	
U2109-9	2 piece	TEE, 5-PIN MINI, STANDARD KEYWAY	RSM-2RKM 50 TUR.RSM-2RKM 50	TURCK TURCK	0.00	0.00	
RKF 50-1M/NPT	4	RECEPTACLE MINI 5P FEMALE 1M	RKF 50-1M/NPT TUR.RKF 50-1M/NPT	TURCK TURCK	0.00	0.00	
EMPD3FBCB-100A-M	1		EMPD3FBCB-100A-M EMPD3FBCB-100A-M	Electro-Matic Electro-Matic	0.00	0.00	

Summarized parts list

F02_001

Order number	Quantity	Description Designation	Type number Part number	Manufacturer Supplier	Unit price	Total price	Pos.
SJ15-E2-V1-Y40122	1 Piece	Inductive slot sensor	SJ15-E2-V1-Y40122 P+F.SJ15-E2-V1-Y40122	P+F P+F	0.00	0.00	
55556	2 Piece	Field bus, decentralized peripheral - digital I/O module	MVK-MPNIO F DI16/8 7/8" IRT MURR.55556	MURR	0.00	0.00	
	6		TUR.BS 8251-0/PG9			0.00	
1644741	4 piece	Inductive sensor	BI8U-MT18M-AP6X2-H1141/S1589 TUR.1644741	TUR Turck	0.00	0.00	
WWS001A	23	4-Wire, 4-Pin, DC M12 X 1 (PNP)	WWS001A WEL.WWS001A	WEL WEL	0.00	0.00	
	4		1627297			0.00	
4570890	4 piece	Inductive sensor	BI2-CRS260-AP4X2-H1141/S34 TUR.4570890	TURCK TURCK	0.00	0.00	
	2		TUR.1644905			0.00	
SETS8205SID5	3	Golvskåp TS 8 sidskåp	TS8 RIT.SETS8205SID5	RIT RIT	0.00	0.00	

Date	1/17/2023	Volvo Trucks North America	Valiant TMS	Summarized parts list : P+F.SJ15-E2-V1-Y40122 - RIT.SETS8205SID5	Drawing name: =2V07&EFS-EL	=
Ed.	MKLEPADLO	 P6700 Roof Inr & Dr Ring LH - Cell 2V07	Scale 1:1		Document type:	Project nr:
Appr					EXX	22-16144
Modification	Date	Name	Original	Replacement of	Replaced by	
						509

