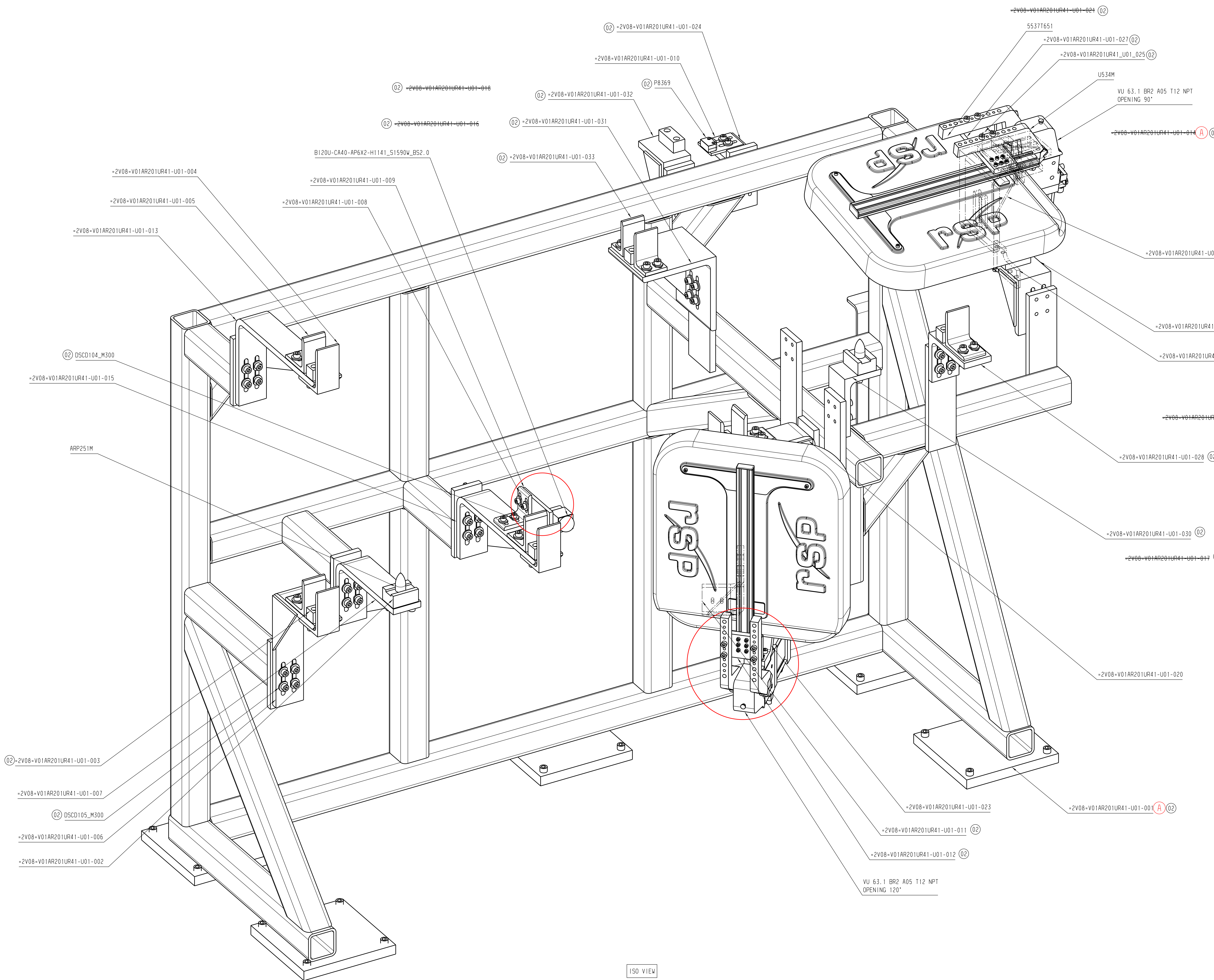


Engineering Release	Location	Change description	Author	Checked	Doc. release status
ERN	XX	ITEM DSCD105_M300 CHANGED QTY. (WAS 72). ITEM DSCD104_M300 CHANGED QTY. (WAS 101). SENSORS P8369 NEW ADDED (2 QTY.). ITEM 001 MODIFIED; ITEMS: 003 (WAS 7), 011 (WAS 2), 012 (WAS 2) CHANGED QTY. ITEMS: 014, 016, 017, 018, 019, 021 DELETED. ITEMS: 024-033 NEW ADDED. ECN: ECN 6147-K005			11/28/2022

SHOP CHANGE			
CHANGES	DATE	CHANGED BY	
A ITEM 001 MODIFIED; ITEM 012 REPOS.; ITEM 014 CHANGED QTY. (WAS 2); ITEM 023 NEW ADDED; CLAMP AND ARMS CHANGED POSITION (THE CIRCLED ONES); ITEMS 005, 008 AND SENSOR POSITION MODIFIED	08/29/22	JET	



STA 010
UNIT LAYOUT
WEIGHT: 1005.7 #

External Company	VALANT
External Specification	EXTERNAL SPECIFICATION
Material	MATERIAL
Surface Treatment	SURFACE TREATMENT
DSM Number	DSM_NUMBER
Symbols, designations and general drawing method STD 101-0005	
Tolerance unless otherwise stated ISO 2768-m Sharp edges broken when function allows	
Drawn by	T. Schakin
Date	06/08/2022
Checked	
Date	
Projection	1st
Request reference	REQ_REF
The copying, distribution and utilization of this document as well as the compilation of its contents to generate a third document without the prior written consent of Volvo will be held liable for reasons of damage. All rights reserved in the event of the present or a future, all titles must be granted design registration.	
Document title	SIDE SKIN
Part name	MH DROP OFF STAND
Document type	SS-010-SR1
Document No	=2V08-V01AR201UR41
Version	01
Sheet No	1/1

16147-1010-430-1