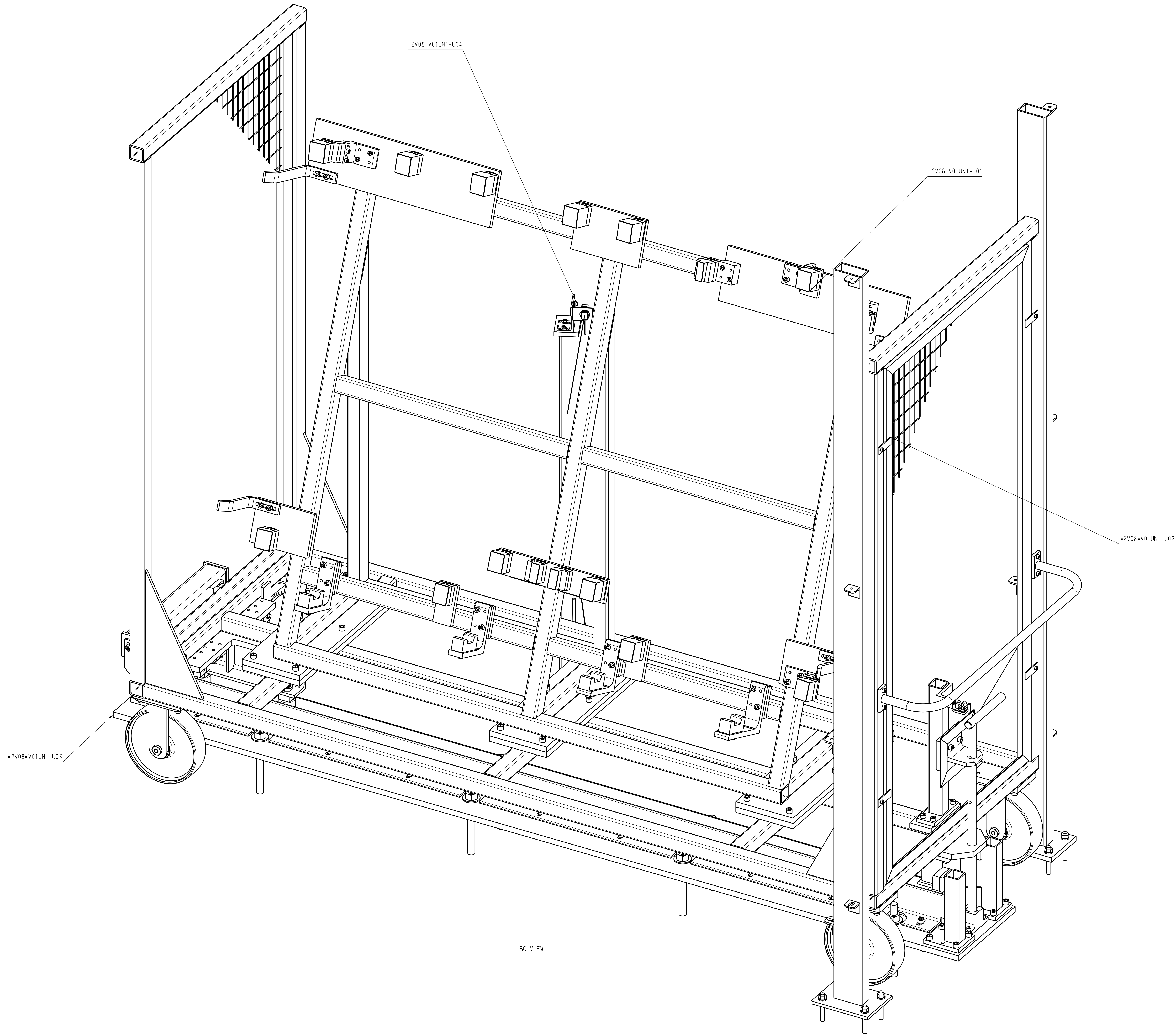


Engineering Release	Location	Change description	Approved	Document release status
XX	XX	XX	XX	DOC_REL_STATUS
ERN	XX	XX	XX	Date: XXXX-XX-XX Sheet/Total sheets: XX/XX



STA 030
KEYSHEET
WEIGHT : 2822.7*

External Company	VOLVO		
External Specification	EXTERNAL SPECIFICATION		
Material	MATERIAL		
Surface Treatment	SURFACE TREATMENT		
DSM Number	DSM_NUMBER		
Symbols, designations and general drawing method STD 101-0005			
Tolerance unless otherwise stated ISO 2768-m Sharp edges broken when function allows			
Drawn by	Date	Scale	Proj
JET	6/1/2022	1:1	A0
Approved	Date	Projection	Request reference
XX	XX	1st	REQ_REF
The copying, distribution and utilization of this document as well as the completion of its contents to generate a third approved copy is prohibited, if done without the prior written consent of the originator. All rights reserved in the event of a patent, utility model or industrial design registration.			
VOLVO Volvo Truck Corporation		Document No	Version
		=2V08-V01UN1	01
		Sheet No	1/1

16147-1030-124-1