

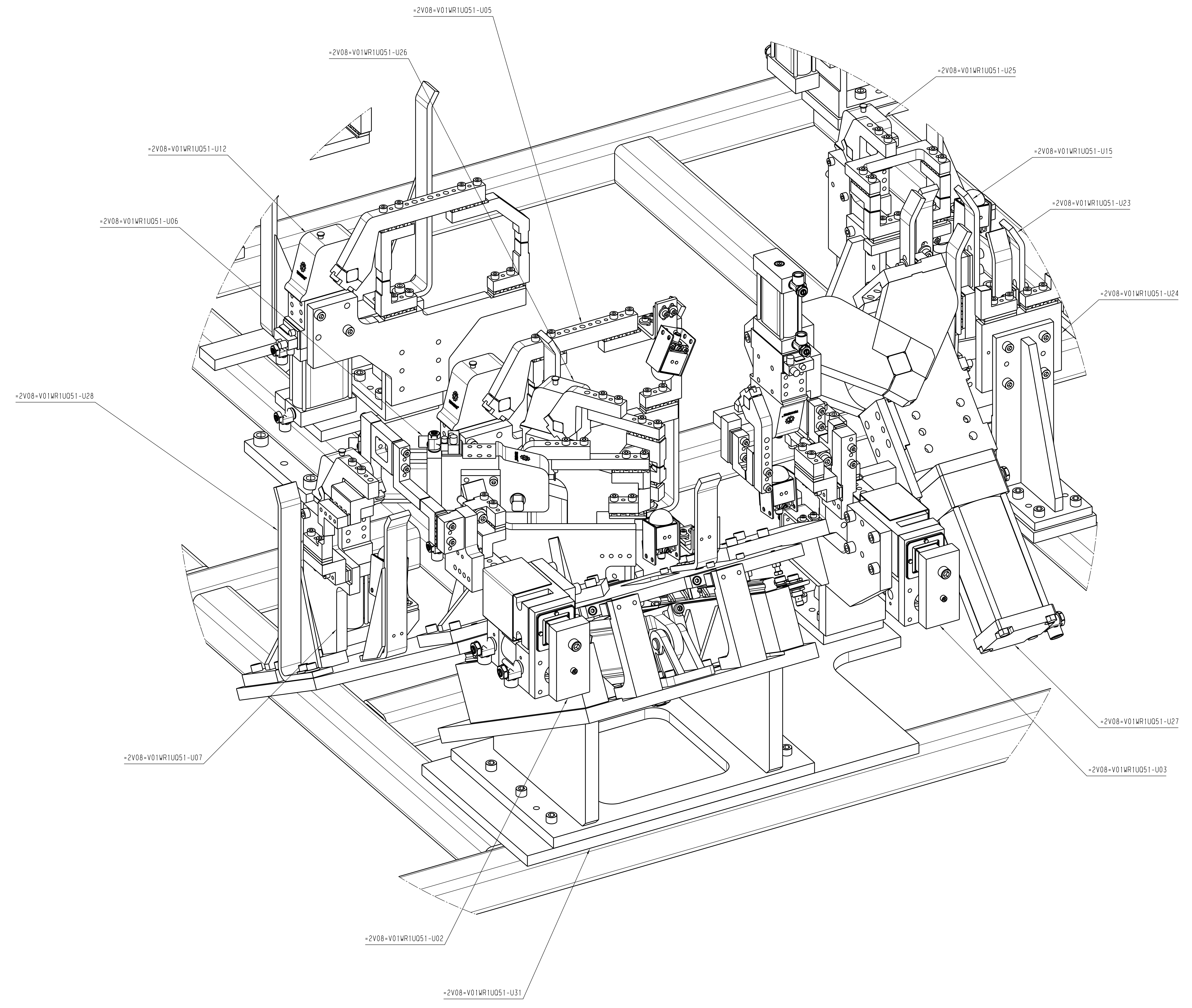
SYM OF
=2V08-V01WR1U051-U20

SYM OF
=2V08-V01WR1U051-U21

ISO VIEW

STA 010
UNIT KEYSHEET
WEIGHT: 2681.16 #

External Company	VOLVO		
External Specification	EXTERNAL SPECIFICATION		
Material	MATERIAL		
Surface Treatment	SURFACE TREATMENT		
DSM Number	DSM_NUMBER		
Symbols, designations and general drawing method STD 101-0005			
Tolerance unless otherwise stated ISO 2768-m Sharp edges broken when function allows			
Drawn by	Date	Scale	Proj
T. SCHANKIN	04/15/2022	-	A0
Approved	Date	Request reference	
XX	XX		REQ_REF
The copying, distribution and utilization of this document as well as the completion of its contents to generate a third document without the prior written consent of Volvo is prohibited. All rights reserved in the event of a patent, utility model or industrial design registration.			
Document title	Document No	Version	Sheet No
SIDE SKIN GEO FIXTURE SS-010-T1-GEO	=2V08-V01WR1U051	01	1/2



VIEW IN CIRCLE "A"
(FROM SHIT. #11)

External Company	VOLVO		
External Specification	EXTERNAL SPECIFICATION		
Material	MATERIAL		
Surface Treatment	SURFACE TREATMENT		
DSM Number	DSM_NUMBER		
Symbols, designations and general drawing method STD 101-0005			
Tolerance unless otherwise stated ISO 2768-m Sharp edges broken when function allows			
Drawn by	Date	Scale	Proj.
T. SCHANKIN	04/15/2022	-	A0
Approved	Date	Projection	Request reference
XX	XX	☺	REQ_REF
The copying, distribution and utilization of this document as well as the completion of its contents to generate a third approved copy or a printed version, without express approval of the provider, is prohibited. All rights reserved in the event of a patent, willfully made or intentional design registration.			
Document title		Document type	
SIDE SKIN		Geo	
GEO FIXTURE		SS-010-T1-GEO	
VOLVO		Volvo Truck Corporation	
Drawn	Checked	Version	Sheet No.
XX	XX	01	2/2
=2V08-V01WR1U051		VTL010 FRAM E A0	