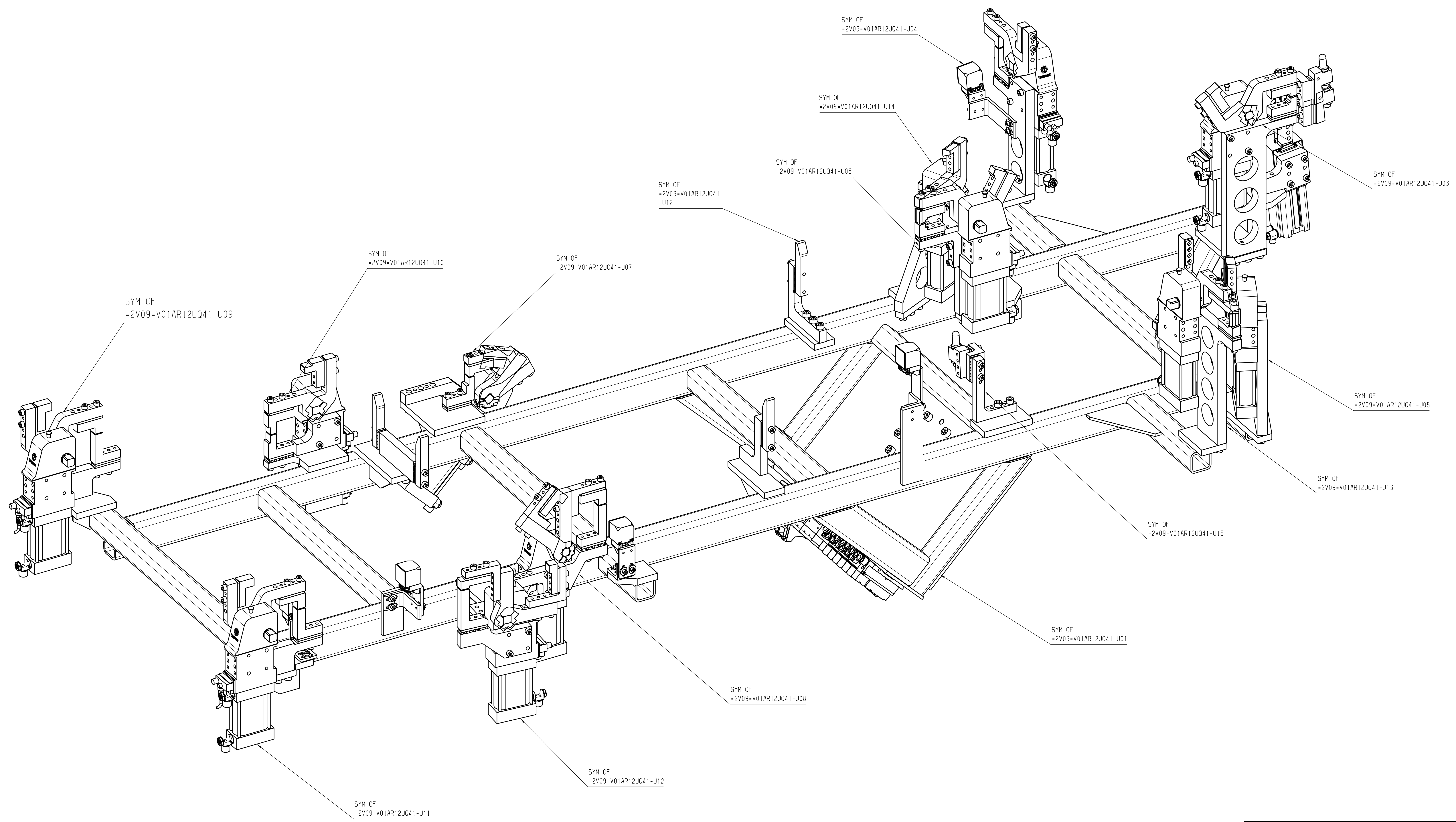


ISO VIEW - LH

STA 040
KEYSHEET
APPROX WT: 1042,63*

External Company	VOLVO
External Specification	EXTERNAL SPECIFICATION
Material	MATERIAL
Surface Treatment	SURFACE TREATMENT
DSM Number	DSM_NUMBER
Symbolic designations and general drawing method STD 101-0005	
Tolerance unless otherwise stated ISO 2768-m Sharp edges broken when function allows	
Drawn by	JET
Date	26-05-2022
Drawn by	AO
Date	
Approved	XX
Date	
Projection	1st
Request reference	REQ_REF
<small>The copying, distribution and utilization of this document as well as the compilation of its contents to generate a third approved version or its modification, of any kind, is prohibited without the prior written consent of Volvo. All rights reserved in the event of a patent, or other, intellectual property registration.</small>	
Document title	BODYSIDE
Document No	MH EQAT
Version	BSL/R-040-MH1
Document type	

16150-1040-420-1



ISO VIEW - RH

External Company	VOLVO		
External Specification	EXTERNAL SPECIFICATION		
Material	MATERIAL		
Surface Treatment	SURFACE TREATMENT		
DSM Number	DSM_NUMBER		
Symbols, designations and general drawing method STD 101-0005			
Tolerance unless otherwise stated ISO 2768-m Sharp edges broken when function allows			
Drawn by	Date	Scale	Proj
IET	26-05-2022		A0
Approved	Date	Projection	Request reference
XX	XX		REQ_REF
The copying, distribution and utilization of this document are not permitted without the prior written consent of Volvo. All rights reserved in the event of a patent, utility model or industrial design registration.		Document title	Document type
		BODYSIDE	
		MH EOAT	
		BSL/R-040-MH1	
		Owner: Volvo Truck Corporation	
		Document No	Version
		=2V09-V01AR12U041	01
		Sheet No	2/2