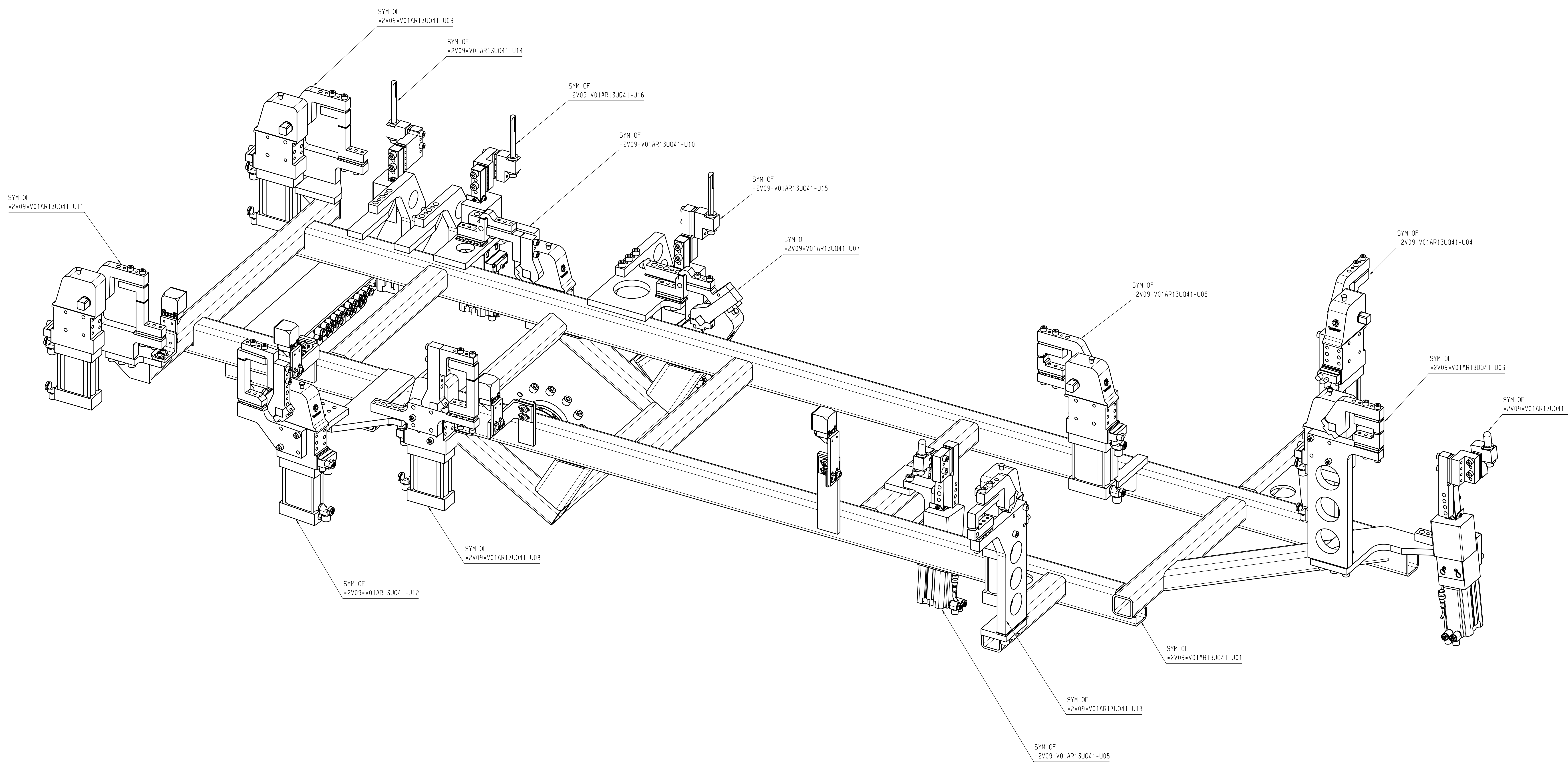


ISO VIEW-L, H SIDE

STA 050
UNIT KEYSHEET
WEIGHT: 934.58 #

External Company	VOLVO		
External Specification	EXTERNAL SPECIFICATION		
Material	MATERIAL		
Surface Treatment	SURFACE TREATMENT		
DSM Number	DSM_NUMBER		
Symbolic designations and general drawing method STD 101-0005			
Tolerance unless otherwise stated ISO 2768-m Sharp edges broken when function allows			
Drawn by	Date	Scale	Proj
IET	26-05-2022	-	A0
Approved	Date	Projection	Request reference
XX	XX	1st angle	REQ_REF
The copying, distribution and utilization of this document as well as the completion of its contents to generate a third approved copy or part is prohibited, of course will be held liable for reasons of damage. All rights reserved in the event of a defect, all titles must be original design registration.			
VOLVO Volvo Truck Corporation		Document title BODYSIDE MH E0AT BSL/R-050-MH1 Document type	Document No =2V09-V01AR13U041
Version	01	Sheet No	1/2



ISO VIEW-R.H SIDE

External Company	VOLVO		
External Specification	EXTERNAL SPECIFICATION		
Material	MATERIAL		
Surface Treatment	SURFACE TREATMENT		
DSM Number	DSM_NUMBER		
Symbolic designations and general drawing method STD 101-0005			
Tolerance unless otherwise stated ISO 2768-m Sharp edges broken when function allows			
Drawn by	Date	Scale	First
JET	26-05-2022	-	A0
Approved	Date	Projection	Request reference
XX	XX	1st angle	REQ_REF
The copying, distribution and utilization of this document as well as the completion of its contents to drawings without expressed authorization is prohibited. If there will be need to make any changes, all rights reserved in the name of the group of a defined, will be held by original design registration.			
VOLVO		Document title	Document type
Volvo Truck Corporation		BODYSIDE	
Document No	Version	Sheet No	
=2V09-V01AR13U041	01	2/2	