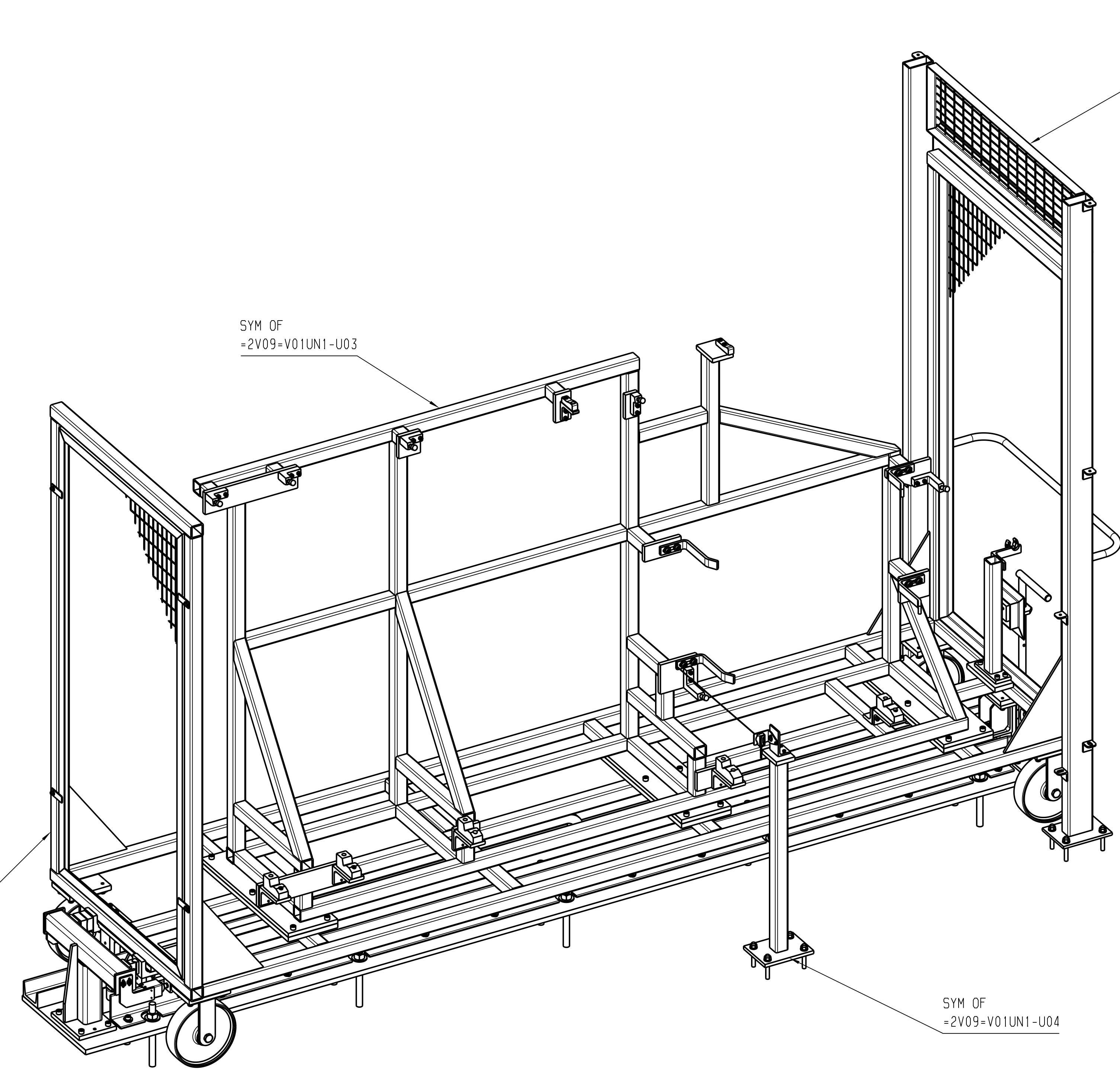
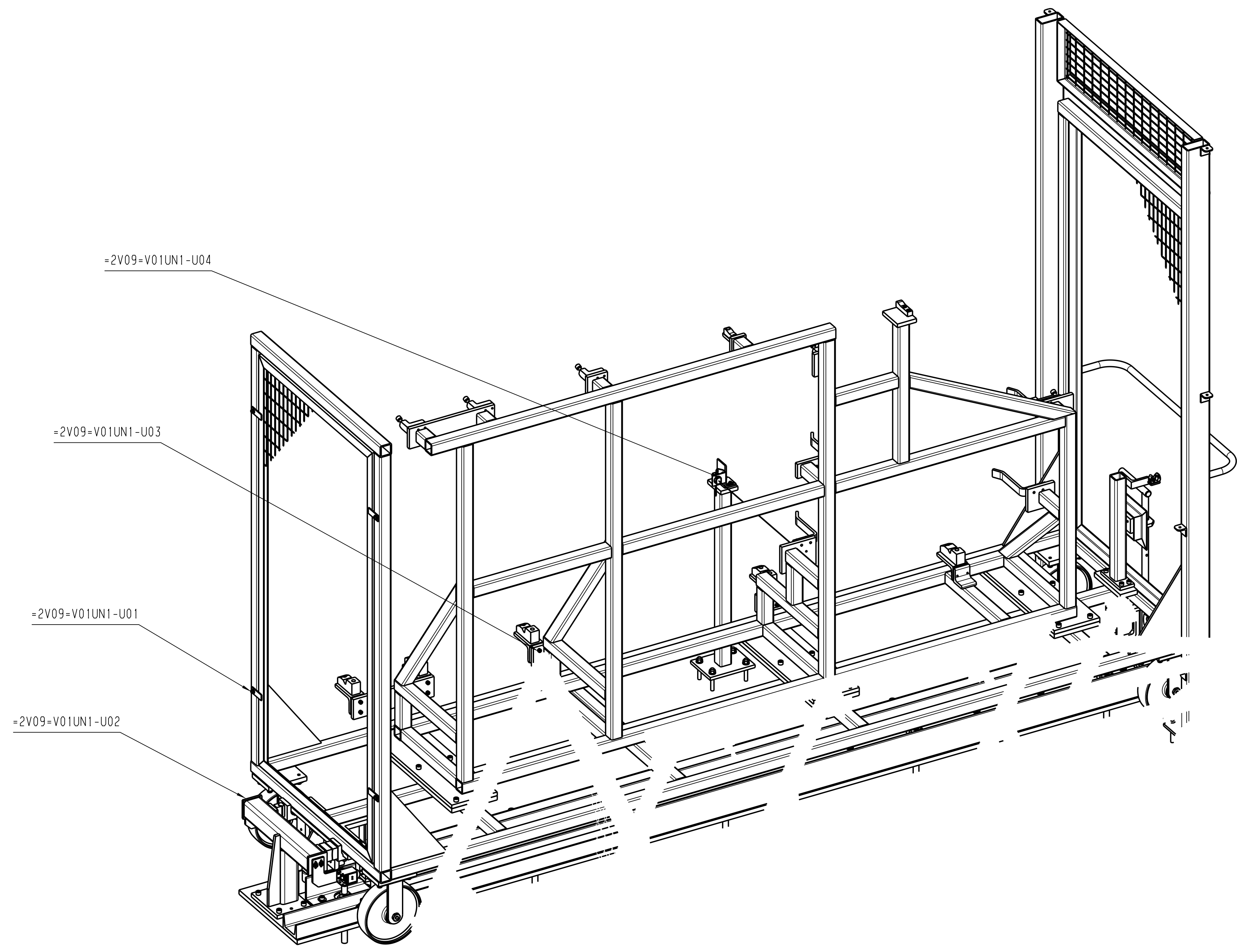


4	3	2	1
Engineering Release	Location	Change description	Subject
ERN	XX	XX	XX
Date			Doc. release status
XXXX-XX-XX			DOC_REL_STATUS
Date			Specification count
XXXX-XX-XX			XX



SYM OF
=2V09-V01UNI-U01

ISO VIEW

STA 070
UNIT KEYSHEET
WEIGHT: 6004.70 *

External Company	VOLVO
External Specification	EXTERNAL SPECIFICATION
Material	MATERIAL
Surface Treatment	SURFACE TREATMENT
DSM Number	DSM_NUMBER

Symbols, designations and general drawing method STD 101-0005
Tolerance unless otherwise stated ISO 2768-m Sharp edges broken when function allows

Drawn by	Date	Scale	Proj.
JET	25-05-2022	-	A0
Approved	Date	Request reference	
XX	XX	REQ_REF	

The copying, distribution and utilization of this document as well as the compilation of its contents to other works without express authorization is prohibited. If there will be need to make any changes, all rights reserved in the name of the grantor of a patent, utility model or industrial design registration.

VOLVO Volvo Truck Corporation		Document title	Version	Sheet No.
		BODYSIDE PULL OUT CART BSL/R-070-PO	01	1/1
Document No.		Document type		
=2V09-V01UNI		VOLVO FRAME E A0		

16150-1070-124-1