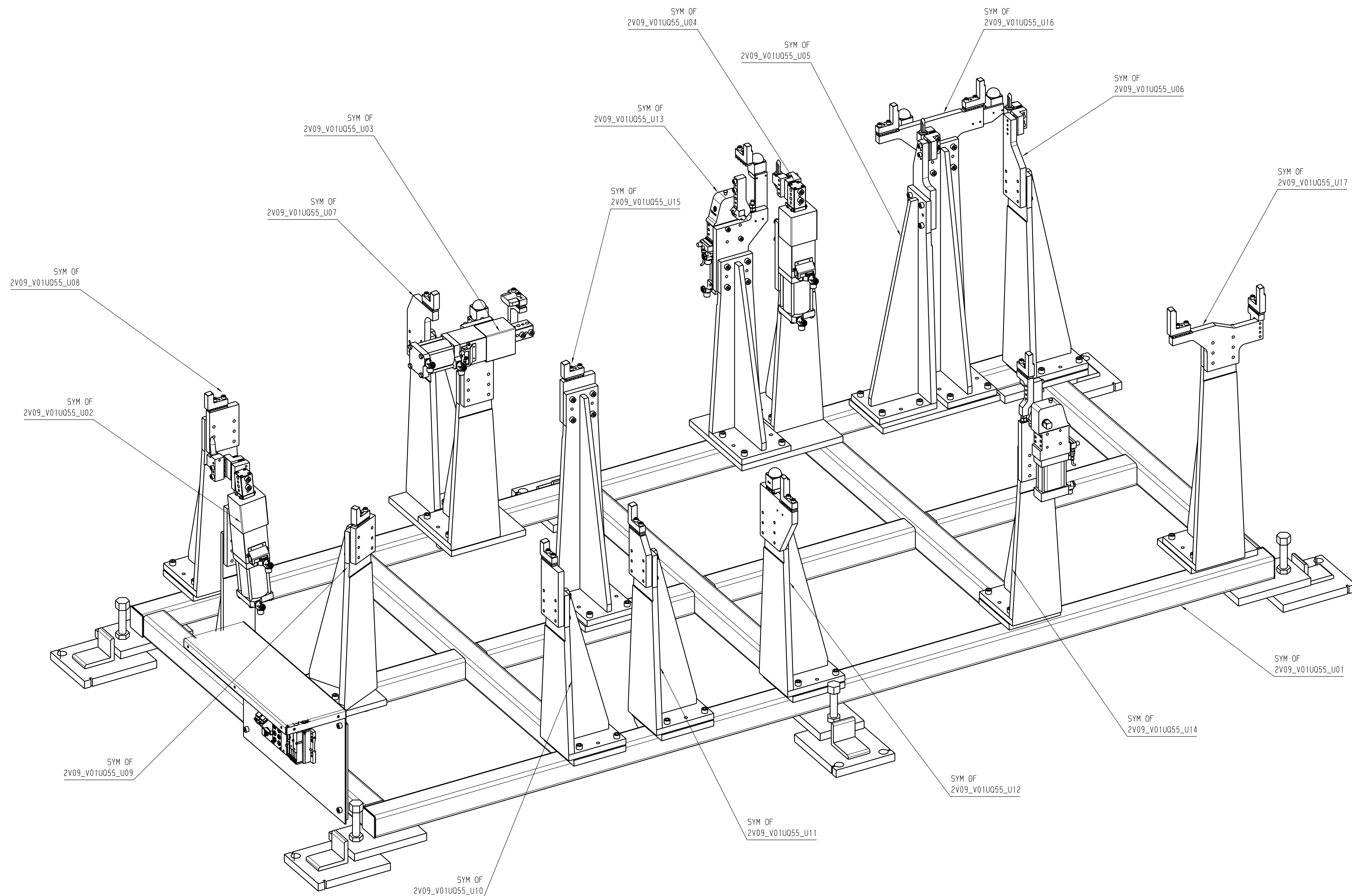


ISO VIEW-1

16150-1040-100-1

STA 010
KEYSHEET
WEIGHT: 2282.91*

External Company	VOLVANT		
External Specification	EXTERNAL SPECIFICATION		
Material	MATERIAL		
Surface Treatment	SURFACE TREATMENT		
DSM Number	DSM_NUMBER		
Symbols, designations and general drawing method STD 101-0005			
Tolerance unless otherwise stated ISO 2768-m Sharp edges broken when function allows			
Drawn by	Date	Scale	Size
IET	25-05-2022	-	A0
Approved	Date	Projection	Req. Ref.
XX	XX	1st	REQ_REF
The copying, distribution and utilization of this document as well as the communication of its contents to other parties is prohibited without the express written consent of Volvo. All rights reserved in the event of the grant of a patent. Liability for ornamental design registration.		Document title	Document type
		BODYSIDE FLIP OVER NEST BSI: R-040-PT	
VOLVO Volvo Truck Corporation		Clear design Document prefix	Sheet No.
		=2V09-V01U055	01 / 2



ISO VIEW-2

16150-1040-100-1

Engineering Release (ERN)	Location	Change description	A-Added C-Changed	V-Used	Document release status
ERN	XX	XX			DOC_REL_STATUS Date: XXXX-XX-XX Sheet location count

External Company	VALIANT		
External Specification	EXTERNAL SPECIFICATION		
Material	MATERIAL		
Surface Treatment	SURFACE TREATMENT		
DSM Number	DSM_NUMBER		
Symbols, designations and general drawing method STD 101-0005			
Tolerance unless otherwise stated ISO 2768-m Sharp edges broken when function allows			
Drawn by	Date	Scale	Size
IET	25-05-2022	-	A0
Approved	Date	Projection	Request Reference
XX	XX	1st	REQ_REF
The copying, distribution and utilization of this document as well as the communication of its contents to others without express or tacit consent of the originator is prohibited. All rights reserved in the event of the grant of a patent. Liability for ornamental design registration.		Document title	Document type
		BODYSIDE FLIP OVER NEST BSI: R-040-P1	
VOLVO Volvo Truck Corporation		Drawn design Document prefix	Document No
			=2V09=V01U055
		Version	Sheet No
		01	2/2