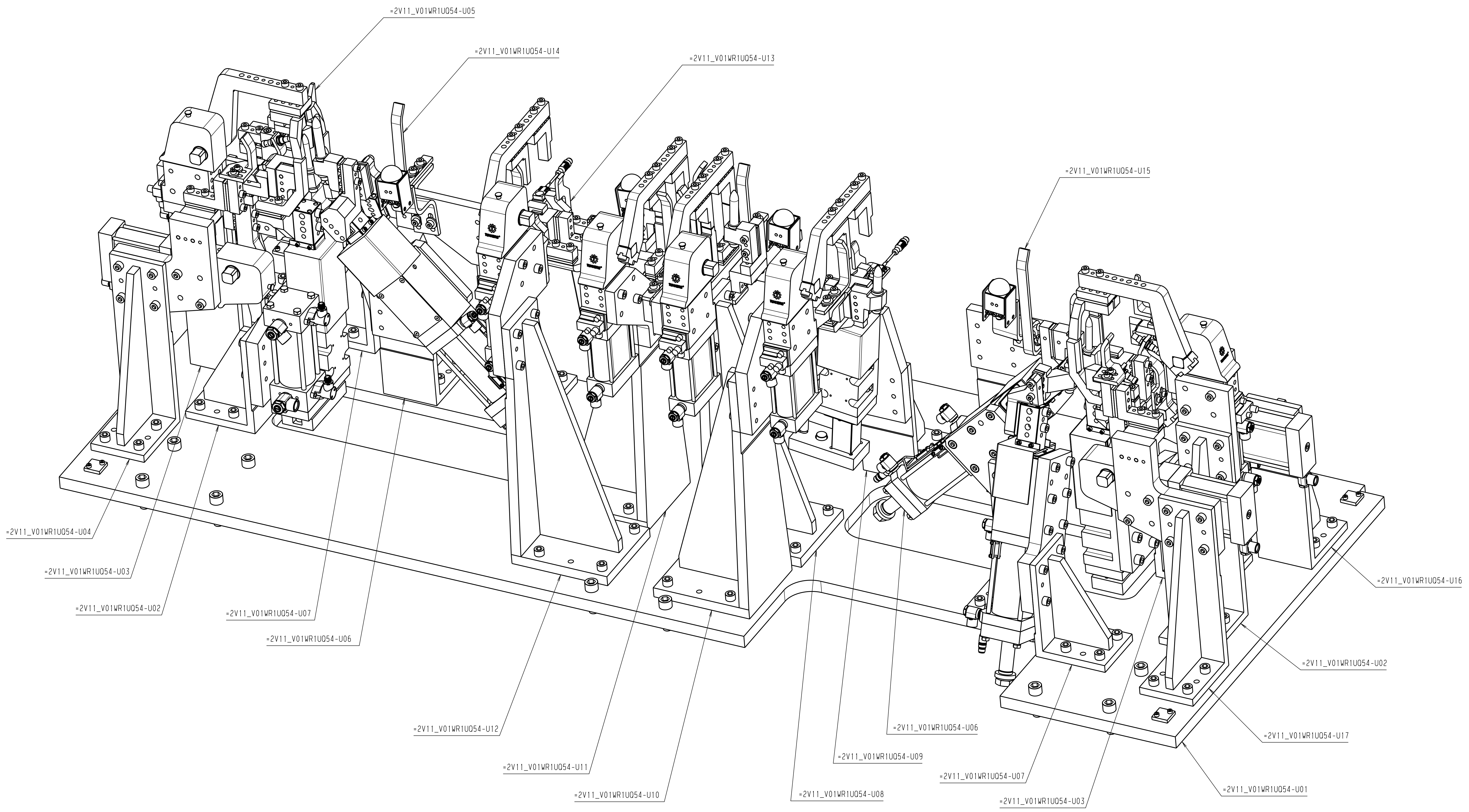


ISO VIEW-1

STA 010
KEYSHEET
Weight: 957 LBS

External Company	VOLVO		
External Specification	EXTERNAL SPECIFICATION		
Material	MATERIAL		
Surface Treatment	SURFACE TREATMENT		
DSM Number	DSM_NUMBER		
Symbolic designations and general drawing method STD 101-0005			
Tolerance unless otherwise stated ISO 2768-m Sharp edges broken when function allows			
Drawn by	Date	Scale	Proj
TOOLING DESIGNER	DRAWING DATE	1:3	A0
Approved	Date	Projection	Request reference
XX	XX	1st	REQ_REF
The copying, distribution and utilization of this document as well as the completion of its contents to generate a third approved copy or a printed or electronic version will be held liable for reasons of damage. All rights reserved in the event of a patent, utility model or industrial design registration.		Document title	Sheet No.
		SUB BODYSIDE GEO FIXTURE	1/3
		Document type	Sheet No.
		=2V11-V01WR1U052	1/3
		Drawn: VOLVO	
		Document No.	Version
		DOCUMENTNO 101	1/3

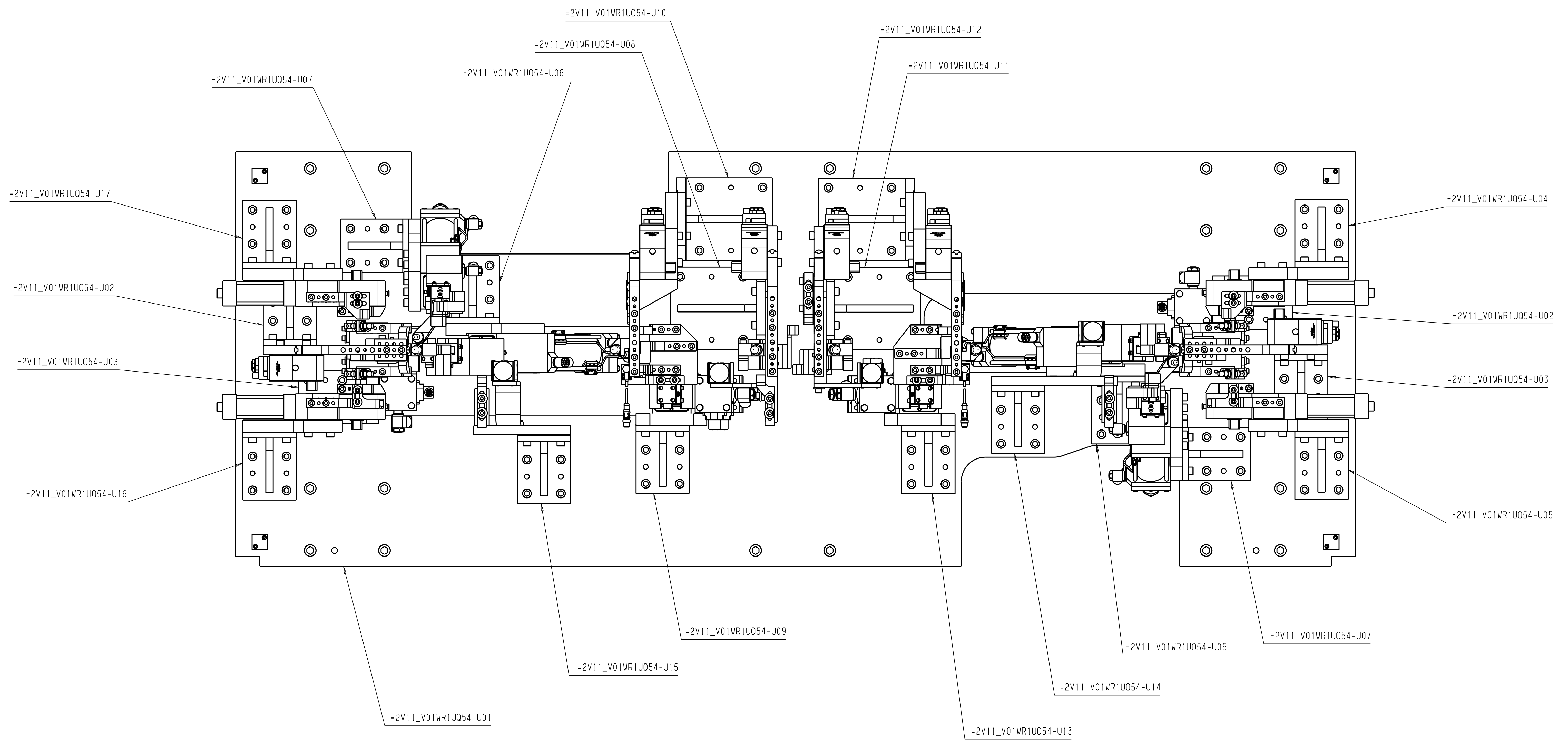
4	3	2	1
Engineering Release	Location	Change description	Sub-sheet
XX	XX	XX	XX
DOC_REL_STATUS			Date
ER			XXXX-XX-XX



ISO VIEW-2

External Company	VOLVO		
External Specification	EXTERNAL SPECIFICATION		
Material	MATERIAL		
Surface Treatment	SURFACE TREATMENT		
DSM Number	DSM_NUMBER		
Symbolic designations and general drawing method STD 101-0005			
Tolerance unless otherwise stated ISO 2768-m Sharp edges broken when function allows			
Drawn by	Date	Scale	Proj
TOOLING DESIGNER	DRAWING DATE	1:3	A0
Approved	Date	Projection	Request reference
XX	XX	1st	REQ_REF
The copying, distribution and utilization of this document as well as the completion of its contents to generate a third approved copy or to be printed, or to be used in any way for purposes of damage. All rights reserved in the event of a defect, will be held by the original design registration.		Document title	Sheet No
		SUB BODY SIDE GEO FIXTURE	2/3
VOLVO Volvo Truck Corporation		Document type =2V11-V01WR1U052 Drawn: Date: XX	Sheet No 2/3
DOCUMENTNO 101		Version	Sheet No
			2/3

Engineering Release	Location	Change description	Submitter	Version	Document release status
XX	XX				DOC_REL_STATUS
ERN	XX	XX			Date: XXXX-XX-XX Specification count: XX



PLAN VIEW

External Company	VOLVO		
External Specification	EXTERNAL SPECIFICATION		
Material	MATERIAL		
Surface Treatment	SURFACE TREATMENT		
DSM Number	DSM_NUMBER		
Symbols, designations and general drawing method STD 101-0005			
Tolerance unless otherwise stated ISO 2768-m Sharp edges broken when function allows			
Drawn by	Date	Scale	File
TOOLING DESIGNER	DRAWING DATE	1:4	A0
Approved	Date	Projection	Request reference
XX	XX	1st	REQ_REF
The copying, distribution and utilization of this document as well as the communication of its contents to third parties without expressed authorization is prohibited. If damage will be held liable for reasons of damage. All rights reserved in the event of the grant of a patent, will this model of intellectual design registration.		Document title	Sheet No
		SUB BODYSIDE GEO FIXTURE	3/3
VOLVO Volvo Truck Corporation		Document type =2V11-V01WR1U052 Owner: system.Document prefix XX	Sheet No DOCUMENTNO 01