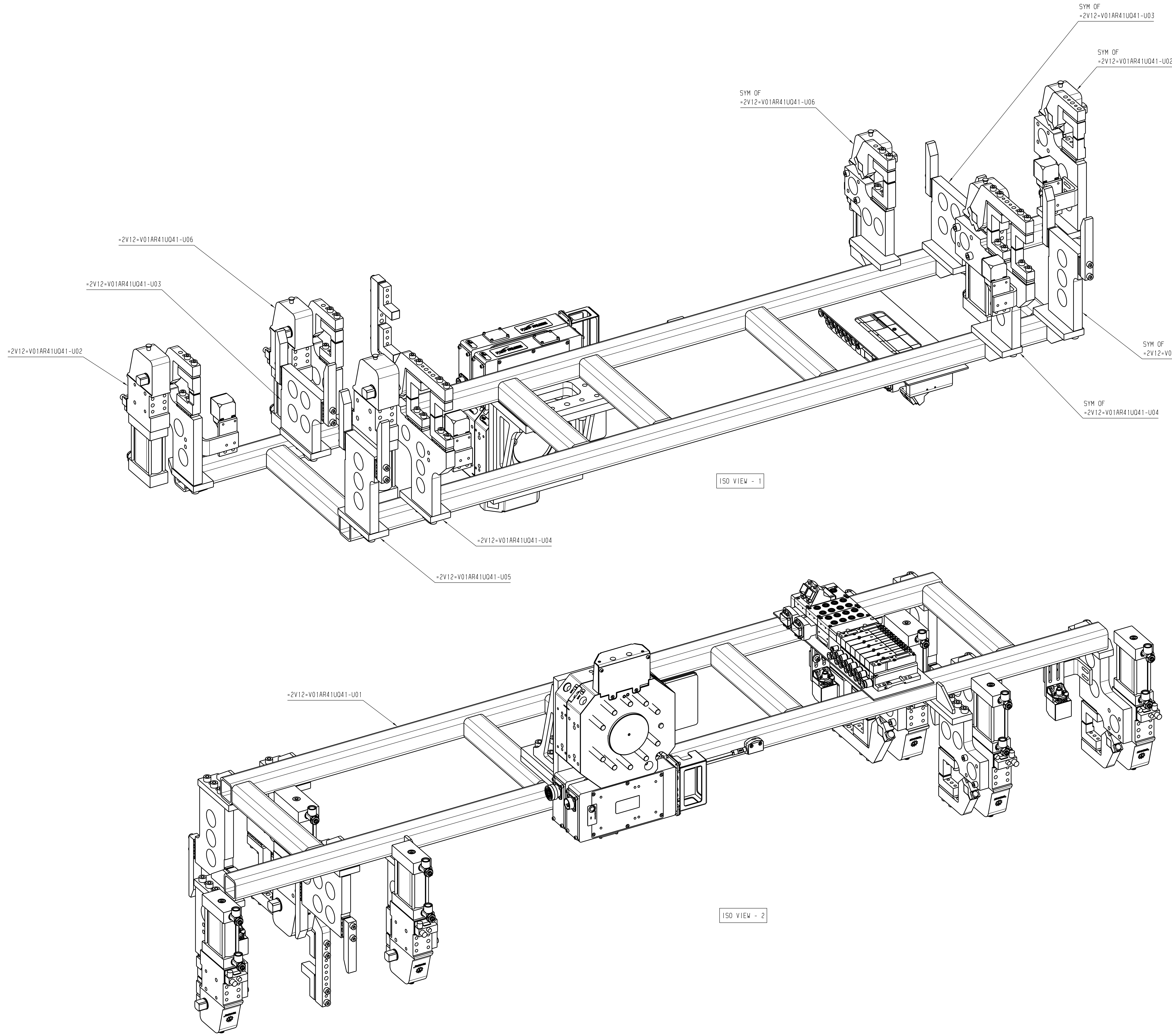


Engineering Release	Location	Change description	Author	Drawn	Checked	Released	Doc. Rel. Status
ERN	XX	XX	XX	XX	XX	XX	Doc. Rel. Status Date: XXXX-XX-XX Appr. Function count: XX



STA 010  
KEYSHEET  
WEIGHT: 331.35\*

External Company	VOLVO		
External Specification	EXTERNAL SPECIFICATION		
Material	MATERIAL		
Surface Treatment	SURFACE TREATMENT		
DSM Number	DSM_NUMBER		
Symbois, designations and general drawing method STD 101-0005			
Tolerance unless otherwise stated ISO 2768-m Sharp edges broken when function allows			
Drawn by	Date	Scale	Proj.
JET	5-11-2022	-	A0
Approved	Date	Projection	Request reference
XX	XX	1st	REQ_REF
The copying, distribution and utilization of this document as well as the compilation of its contents to other works without express authorization is prohibited. If there will be any issue for reasons of damage. All rights reserved in the name of the group of a defined, all other uses of intellectual design registration.		Document title	Sheet No.
		REAR HEADER	11/1
		MH E0AT	
		DRRI-010-MH1	
		Document type	
		Owner: system/Document prefix	

16145-1010-420-1

Document No.	Version	Sheet No.
=2V12-V01AR41U041	01	11/1