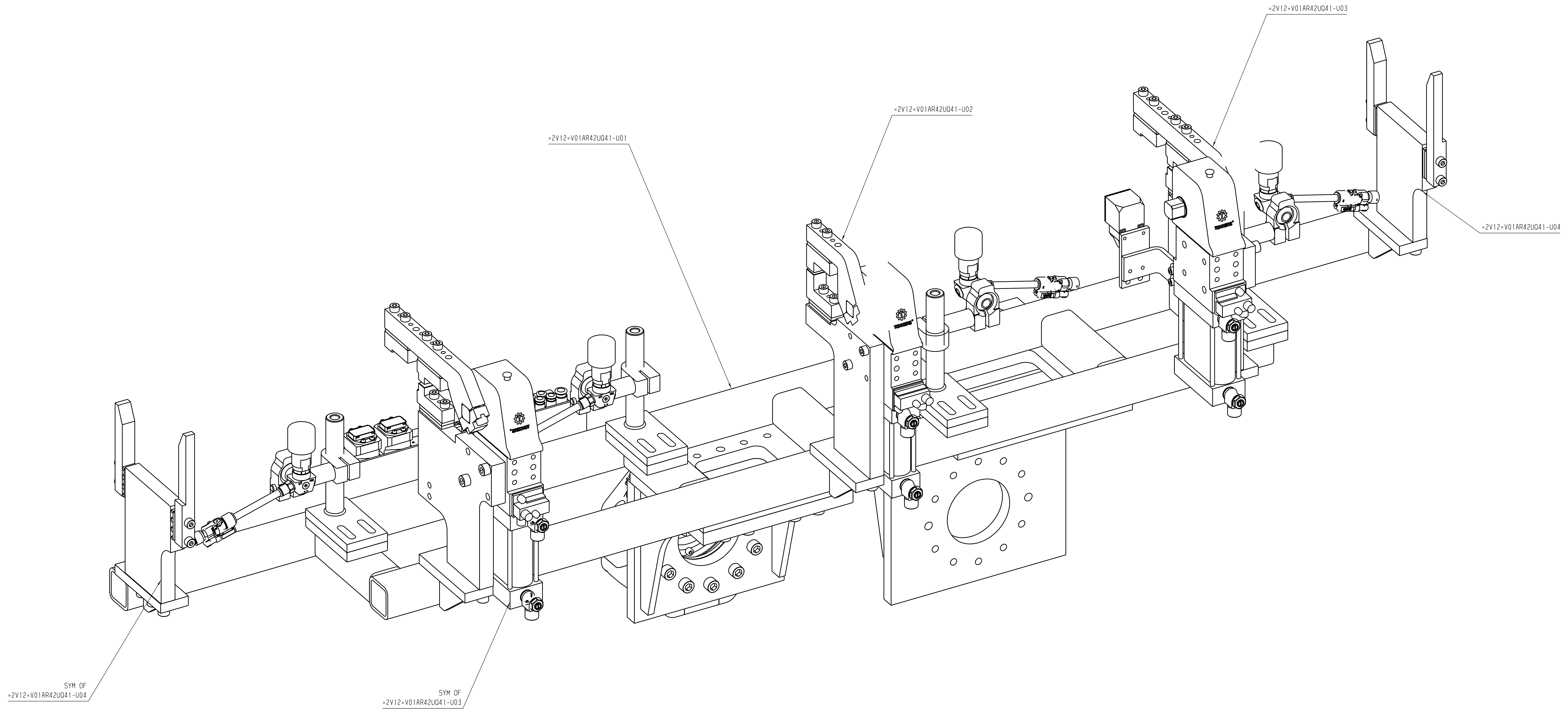


Engineering Release	Location	Change description	Author	Drawn	Checked	Doc. release status
XX	XX					DOC_REL_STATUS
ERN	XX	XX				Date: XXXX-XX-XX Appr. function count: XX



STA 020
KEYSHEET
WEIGHT: 301.56#

External Company	VOLVO		
External Specification	EXTERNAL SPECIFICATION		
Material	MATERIAL		
Surface Treatment	SURFACE TREATMENT		
DSM Number	DSM_NUMBER		
Symbols, designations and general drawing method STD 101-0005			
Tolerance unless otherwise stated ISO 2768-m Sharp edges broken when function allows			
Drawn by	Date	Scale	First
JET	19-05-2022	1:2	A0
Approved	Date	Projection	Request reference
XX	XX	1st	REQ_REF
The copying, distribution and utilization of this document as well as the completion of its contents to generate a third approved copy or part is prohibited, of course will be held liable for reasons of damage. All rights reserved in the world of the patent, all other rights of intellectual design registration.		Document title	Document type
		REAR WALL	
		MH E0AT	
		DRRI-020-MH1	

16145-1020-420-1

Doc. name/Document prefix	Version	Sheet No.
XX		1/1
=2V12-V01AR42U041	01	