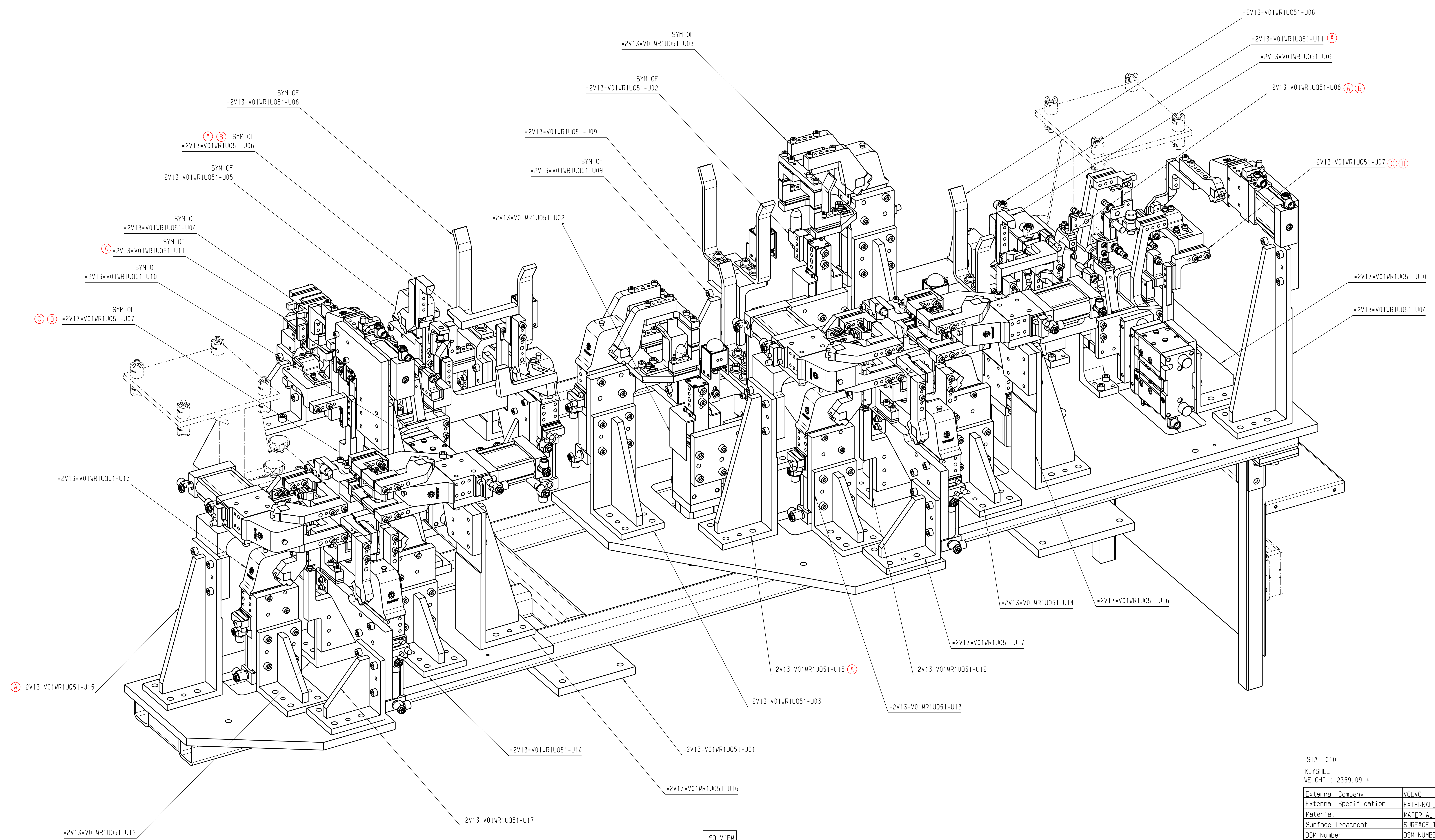


SHOP CHANGE			
CHANGES	DATE	CHANGED BY	
A UNIT #06(L&RH), 11(L&RH) & 15 MODIFIED	07/21/22	ACTALENT	
B UNIT #06(L&RH) MODIFIED	09/28/22	ACTALENT	
C UNIT #07(L&RH) MODIFIED	10/21/22	ACTALENT	
D UNIT #07(L&RH) MODIFIED	10/27/22	ACTALENT	



ISO VIEW

STA 010  
 KEYSHEET  
 WEIGHT : 2359.09 \*

External Company	VOLVO
External Specification	EXTERNAL SPECIFICATION
Material	MATERIAL
Surface Treatment	SURFACE TREATMENT
DSM Number	DSM_NUMBER

Symbols, designations and general drawing method STD 101-0005  
 Tolerance unless otherwise stated ISO 2768-m Sharp edges broken when function allows

Drawn by	Date	Proj	Proj
ACTALENT	21/06/2022	-	A0
Approved	Date	Projection	Request reference
XX	XX	1	REQ_REF

The copying, distribution and utilization of this document as well as the completion of its contents to generate a third approved copy or to be printed, or to be used in any way for purposes of damage, all rights reserved in the name of the group of a defined, all rights reserved by intellectual design registration.

Document title: SUB FLOOR GEO FIXTURE  
 Document No: RCM-010-T1-GEO  
 Document type: 01

