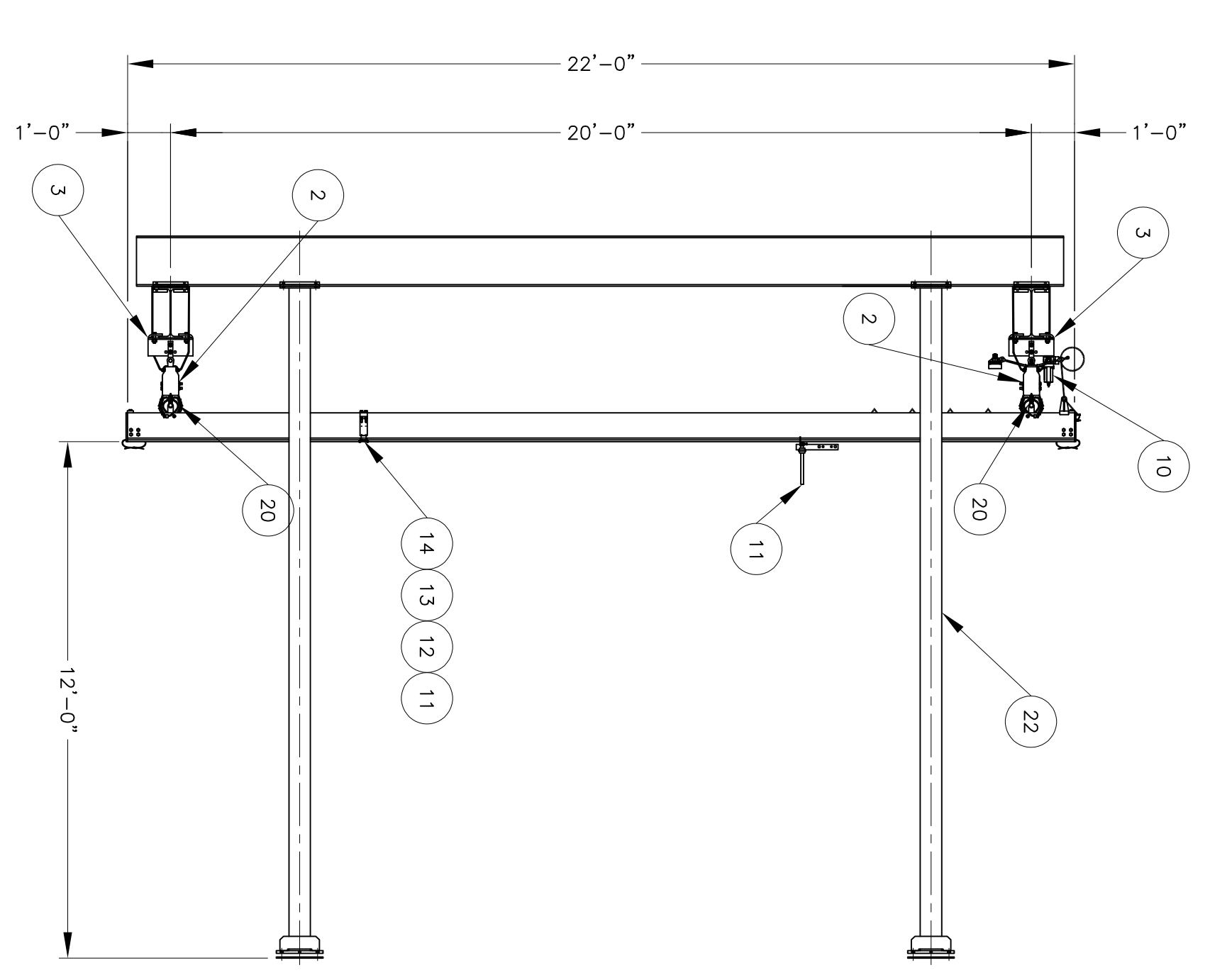
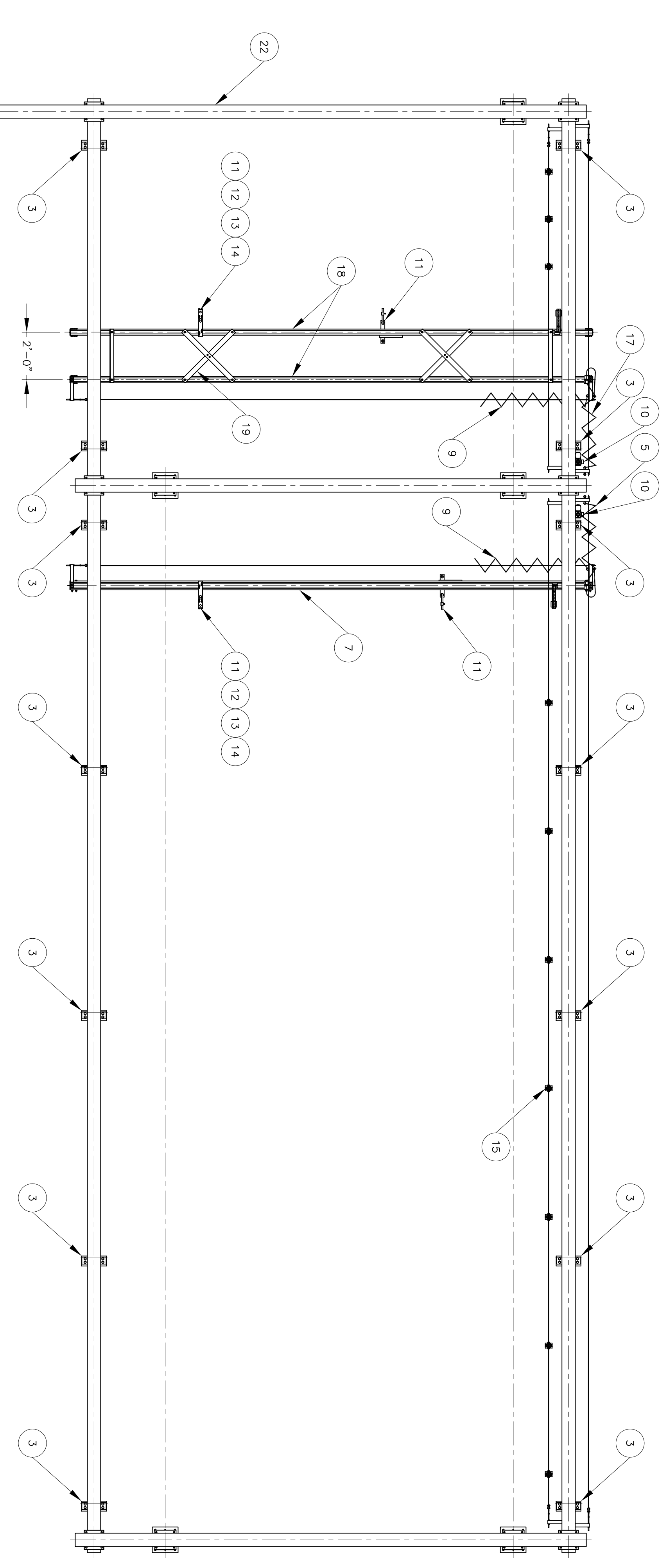
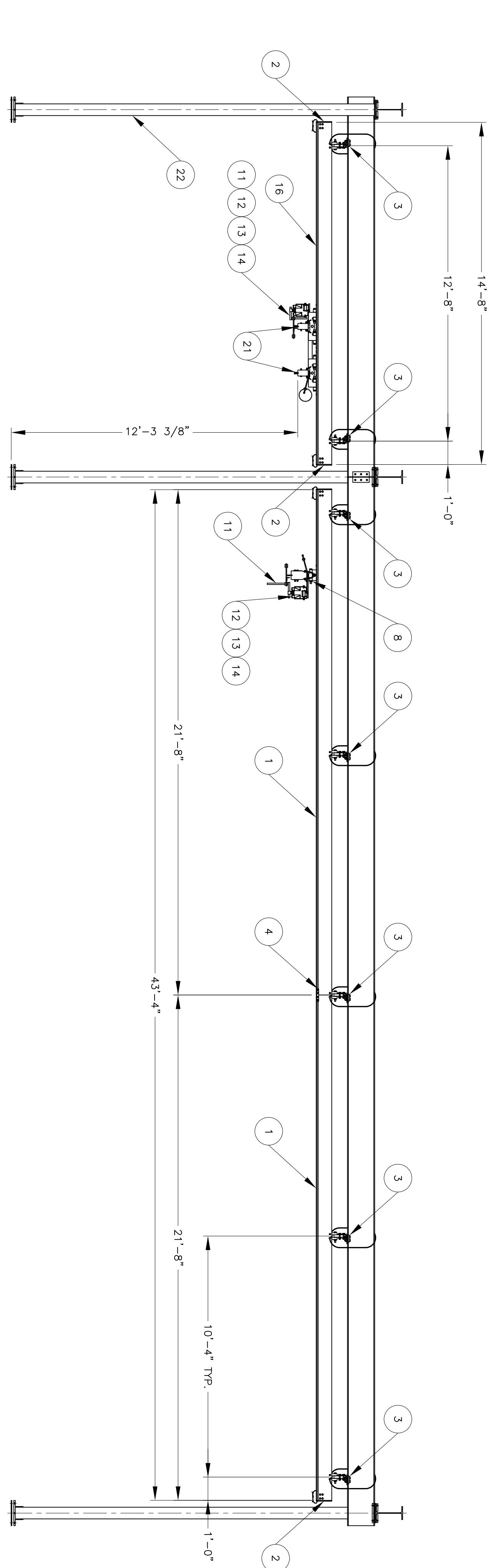


REVISIONS		DATE	BY
REV	DESCRIPTION	1/5/24	JPH
-	INITIAL DRAWING RELEASE	1/5/24	JPH
A	CORRECTED ITEM 15	1/5/24	JPH



- NOTES:
1. STRUCTURE RATED LOAD 1250 LBS.
  2. DUAL GRIDER BRIDGE HAS A RATED LOAD OF 750 LBS.
  3. DUAL GRIDER BRIDGE HAS A RATED LOAD OF 500 LBS.
  4. RUNWAYS HAVE A RATED LOAD OF 750 LBS.
  5. PAINT RUNWAY AND BRIDGE RAILS UNIFIED SAFETY YELLOW.
  6. PAINT STRUCTURE LIGHT GREY RAL 7035.
  7. STRUCTURE LIGHT GREY RAL 7035.
  8. SYSTEM WEIGHT 1973 LBS.
  9. STRUCTURE WEIGHT 9964 LBS.
  10. ITEM 6 NOT SHOWN.
  11. ADD 5'-0" OF TRAVEL LENGTH TO ITEM 15.



71704-LO2A  
(1) REQ'D

ITEM	QTY	DESCRIPTION	PART NO.
22	1	FREE STAND ASSEMBLY 71704-D04A	71704D04
21	4	ETA-4/5 THREE HOLE MOUNT LOAD TROLLEY	20115
20	4	ETA-8 RIGID DUAL END TRUCK WITHOUT KICKUP	22052
19	1	ETA-8/5 X BRACE ASSEMBLY 24" C/C OVER 14'-0" SPAN	25990
18	2	ETA-5 BRIDGE RAIL x 22'-0"	ETA5BR22
17	1	1/2" x 15'-0" RUNWAY AIR FESTOON KIT	29115
16	2	ETA-8 RUNWAY RAIL x 14'-8"	ETA8RW15
15	1	BRIDGE ELECTRIC TAGLINE KIT x 40'-0"	29640/A
14	4	4-PIN MICRO RECEPTAL 1/2 NPT 0.5M PISTAL	67003
13	4	AB 802T-M4C FORKED ROLLER LEVER STEEL	67002
12	4	ALLEN-BRADLEY 802T AMP LIMIT SWITCH	67001
11	2	DUAL OVER TRAVEL SWITCH ASSEMBLY FOR BALANCER	25676
10	2	FR ASSEMBLY 1/2" (PARKER)	25503
9	2	1/2" x 25'-0" RUNWAY AIR FESTOON KIT	29125
8	2	SINGLE END TRUCK W/KICKUP ETA-5/8 BR TO RUN ETA-8 RW	22046
7	1	ETA-8 BRIDGE RAIL x 22'-0"	ETA8BR22
6	1	176 ETA-8 MID-STOP ASSEMBLY	25570
5	1	1/2" x 45'-0" RUNWAY AIR FESTOON KIT	29145
4	2	ETA-8 BOLTED SPLICE ASSEMBLY	25552
3	14	ETA-8 BEAM HANGER 4" TO 8"	27061
2	8	ETA-8 POLY DOUBLE END CAP ASSEMBLY	24950
1	4	ETA-8 RUNWAY RAIL x 21'-8" PREP ES/SPL	ETA8RW22

(1) REQ'D RH DOOR LOAD & LID GEO S2 FREE STAND SYSTEM LAYOUT 71704-LO2A

UNLESS OTHERWISE NOTED:  
 X = ±0.030 FRACTIONS = ±1/16"  
 XX = ±0.010 ANGLES = ±1°/30"  
 .XX = ±.005  
 \*BREAK ALL SHARP EDGES WITH COR MAXIMUM  
 DO NOT SCALE DRAWING

APPROVALS

DATE	1/5/2024
DRAWN	JPH
CHECKED	JPH
ENGR	JPH
PLT DATE	1/5/2024
SHOP ORDER#	71704

TITLE

**RHINO ASSEMBLY CORPORATION/VOLVO**  
**RH DOOR LOAD & LID GEO**  
**S2 FREE STAND SYSTEM LAYOUT**

UNIFIED INDUSTRIES, INC.  
 A Columbus McKinnon Company

SCALE 5/16"=1'-0"

DWG NO: 71704.02A.DWG

PART. NO.

REF. FILE

SHEET 2 OF 5

REV. A

NOTICE TO PERSONS RECEIVING THIS DRAWING AND/OR TECHNICAL INFORMATION  
 Unified Industries Inc. claims proprietary rights in the material disclosed herein. This drawing and/or technical information is loaned for mutual assistance and is subjected to recall by Unified Industries at any time. This drawing and/or technical information is the property of Unified Industries. Without direct permission from Unified Industries to the user, this drawing and/or technical information is not to be reproduced or used to manufacture anything shown or referred to herein.