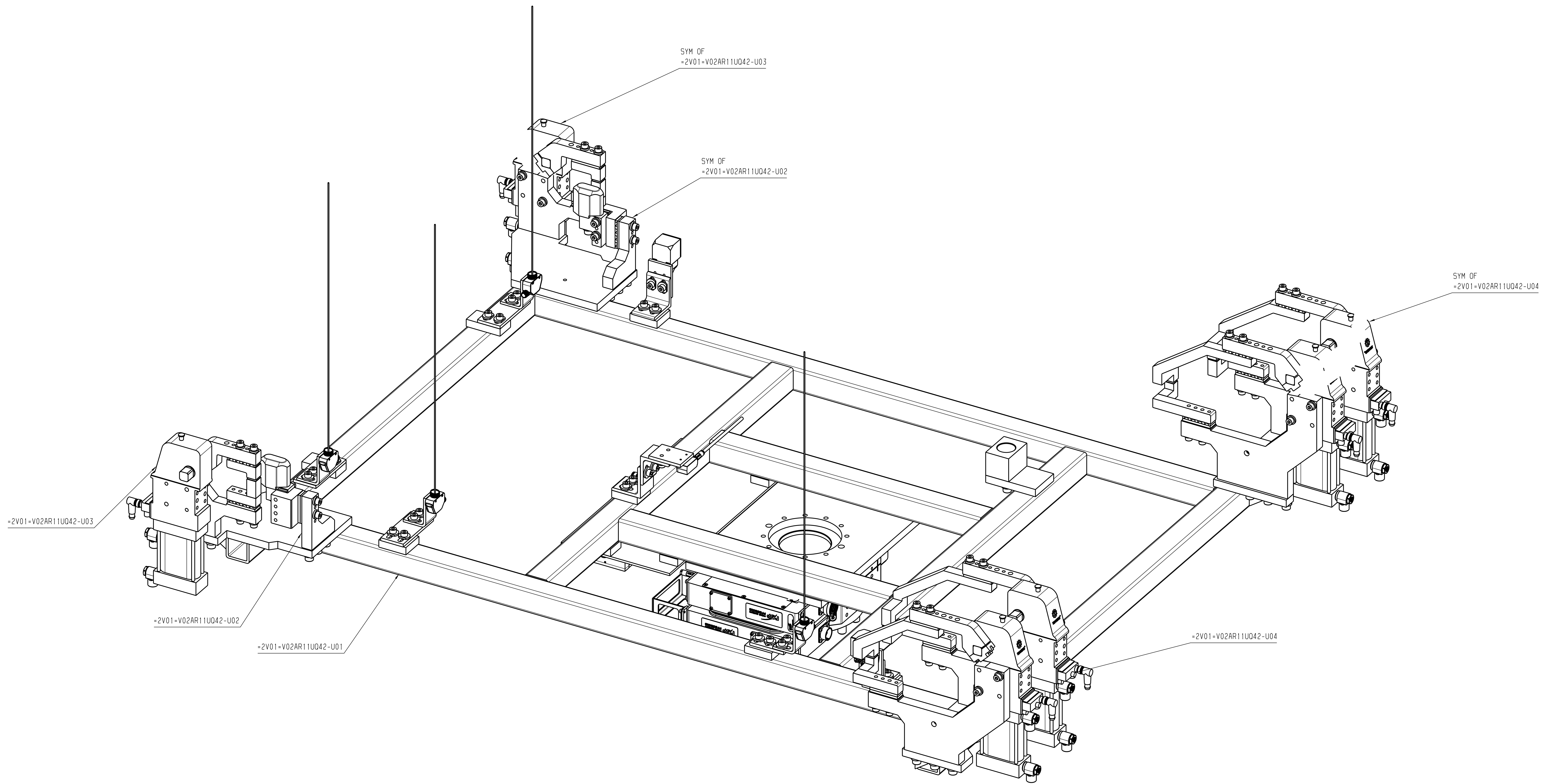


Engineering Release	Location	Change description	Subject	Version	Document release status
XX	XX				DOC_REL_STATUS
ERN	XX	XX			Date: XXXX-XX-XX Specification count: XX



ISO VIEW

STA 040
KEYSHEET
WEIGHT : 403.04*

16152-1040-420-2

External Company	VOLVO		
External Specification	EXTERNAL SPECIFICATION		
Material	MATERIAL		
Surface Treatment	SURFACE TREATMENT		
DSM Number	DSM_NUMBER		
Symbols, designations and general drawing method STD 101-0005			
Tolerance unless otherwise stated ISO 2768-m Sharp edges broken when function allows			
Drawn by	Date	Scale	First
KK GmbH	02-06-2022	-	A0
Approved	Date	Projection	Request reference
XX	XX	1st angle	REQ_REF
The copying, distribution and utilization of this document are not allowed without the consent of the originator. All rights reserved in the event of a patent, will be made by the originator.		Document title	Version
		FRAMING	01
		MH EQAT	1/1
		FRM-000-MH6	
		Document type	

VOLVO Volvo Truck Corporation		Document No	Version	Sheet No
		=2V01-V02AR11U042	01	1/1