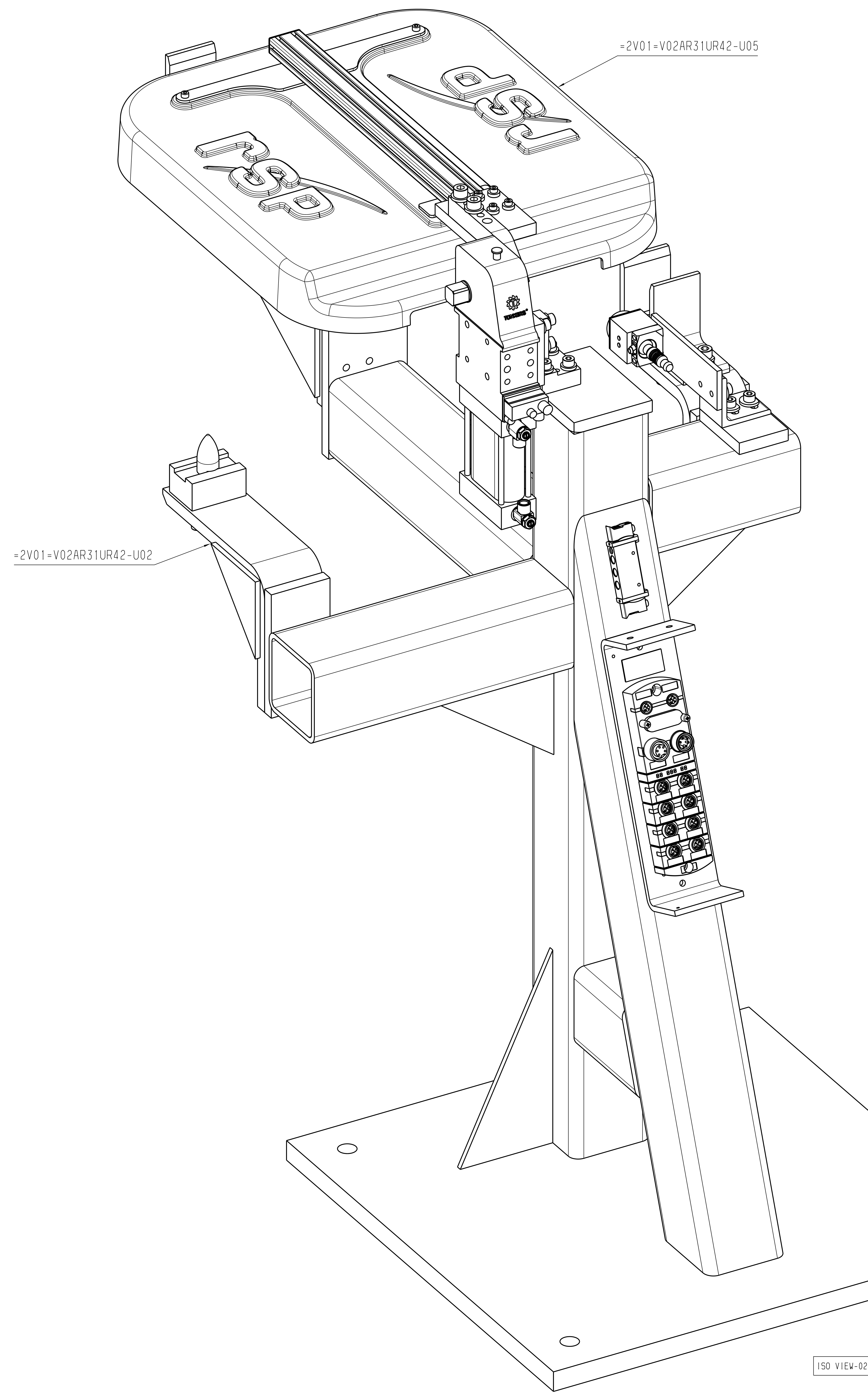
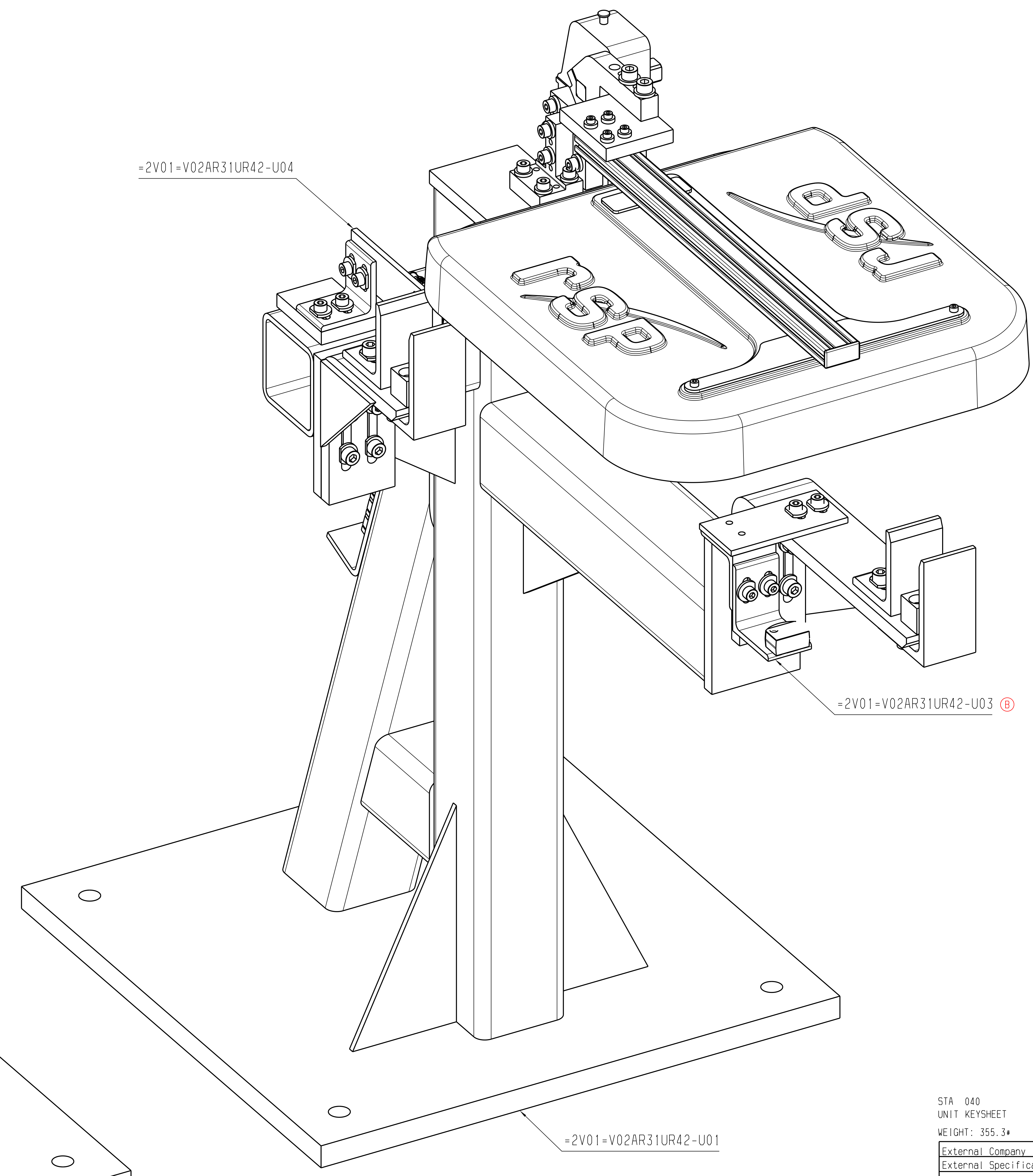


SHOP CHANGE			
CHANGES	DATE	CHANGED BY	
MODIFIED: U03	6/27/22	KK GMBH	



ISO VIEW-02



ISO VIEW-01

STA 040
UNIT KEYSHEET
WEIGHT: 355.3*

External Company	VOLVO
External Specification	EXTERNAL SPECIFICATION
Material	MATERIAL
Surface Treatment	SURFACE TREATMENT
DSM Number	DSM_NUMBER

Symbolic designations and general drawing method STD 101-0005
Tolerance unless otherwise stated ISO 2768-m Sharp edges broken when function allows

Drawn by	Date	Scale	Proj.
KK GmbH	06/08/022	1:2	A0
Approved	Date	Projection	Request reference
XX	XX	1st	REQ_REF

The copying, distribution and utilization of this document as well as the compilation of its contents to other documents is prohibited without the prior written consent of Volvo. All rights reserved in the event of a patent, utility model or industrial design registration.

VOLVO Volvo Truck Corporation		Document title	FRAMING
		Document No.	MH STORAGE RACK
		Document prefix	FRM-040-SR6
		Version	01
		Sheet No.	1 / 1

16152-1040-430-6