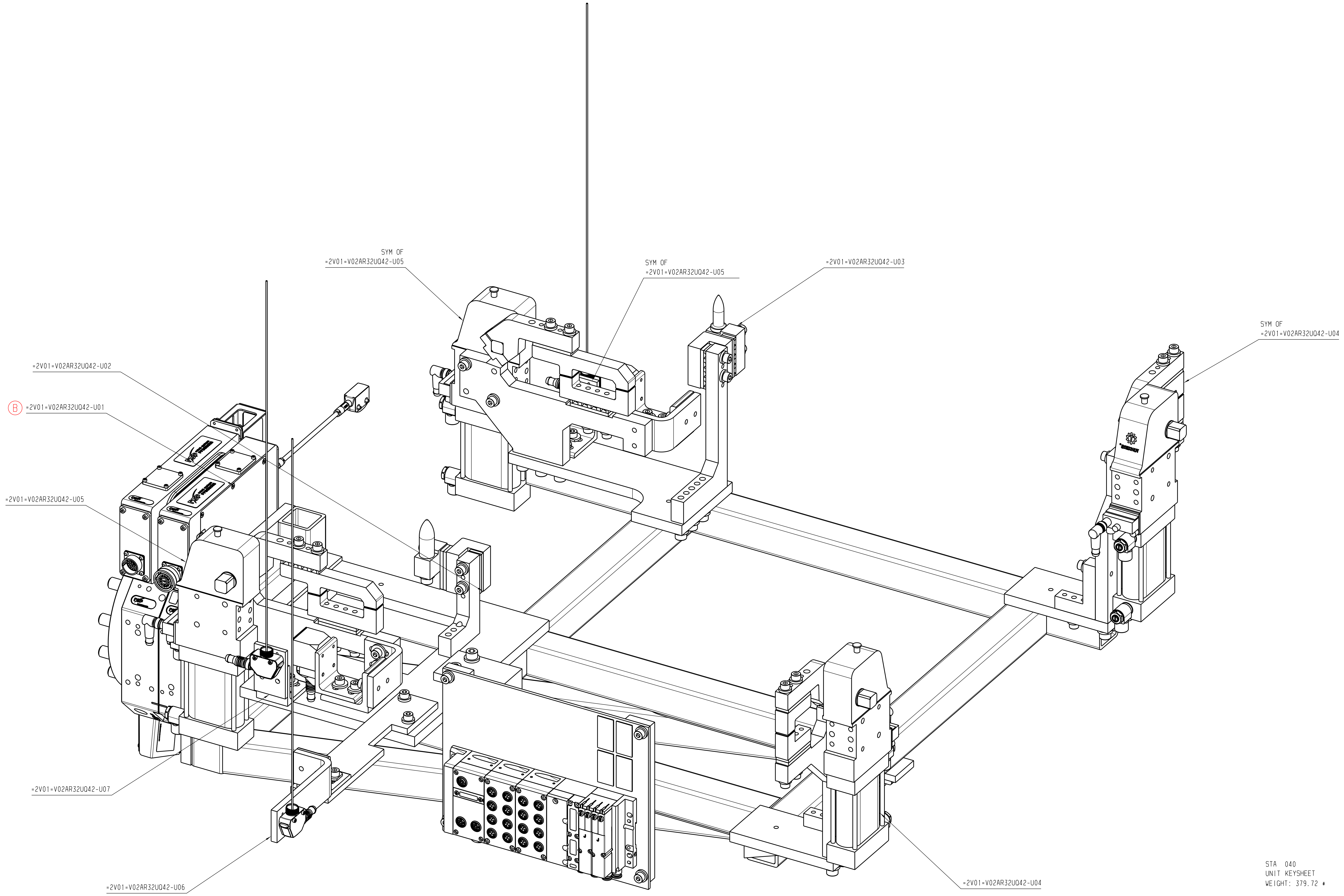


| SHOP CHANGE     |           |            |  |
|-----------------|-----------|------------|--|
| CHANGES         | DATE      | CHANGED BY |  |
| B MODIFIED: U01 | 6/18/2022 | KK GMBH    |  |
|                 |           |            |  |
|                 |           |            |  |



STA 040  
 UNIT KEYSHEET  
 WEIGHT: 379.72 \*

ISO VIEW

|  |                        |                  |                   |
|--|------------------------|------------------|-------------------|
| External Company   | VOLVO                  |                  |                   |
| External Specification   | EXTERNAL SPECIFICATION |                  |                   |
| Material   | MATERIAL               |                  |                   |
| Surface Treatment  | SURFACE TREATMENT      |                  |                   |
| DSM Number   | DSM_NUMBER             |                  |                   |
| Symbols, designations and general drawing method STD 101-0005  |                        |                  |                   |
| Tolerance unless otherwise stated ISO 2768-m Sharp edges broken when function allows   |                        |                  |                   |
| Drawn by   | Date                   | Scale            | Proj.             |
| KK GmbH  | 5/23/2022              | -                | A0                |
| Approved   | Date                   | Projection       | Request reference |
| XX   | XX                     | 1st Angle        | REQ_REF           |
| The copying, distribution and utilization of this document as well as the compilation of its contents to generate a third document without the prior written consent of Volvo is prohibited. All rights reserved in the event of a patent, utility model or trademark design registration. |                        |                  |                   |
| Document Title   |                        | Document No.     | Version           |
| FRAMING  |                        | 2V01_V02AR32U042 | 01                |
| FRM-040  |                        |                  |                   |
| FRM-040-MHB  |                        |                  |                   |
| Document Type  |                        |                  |                   |
| Owner: Volvo Truck Corporation   |                        |                  |                   |
| Sheet No.  |                        | Sheet No.        |                   |
| 16152-1040-420-4   |                        | 11/1             |                   |