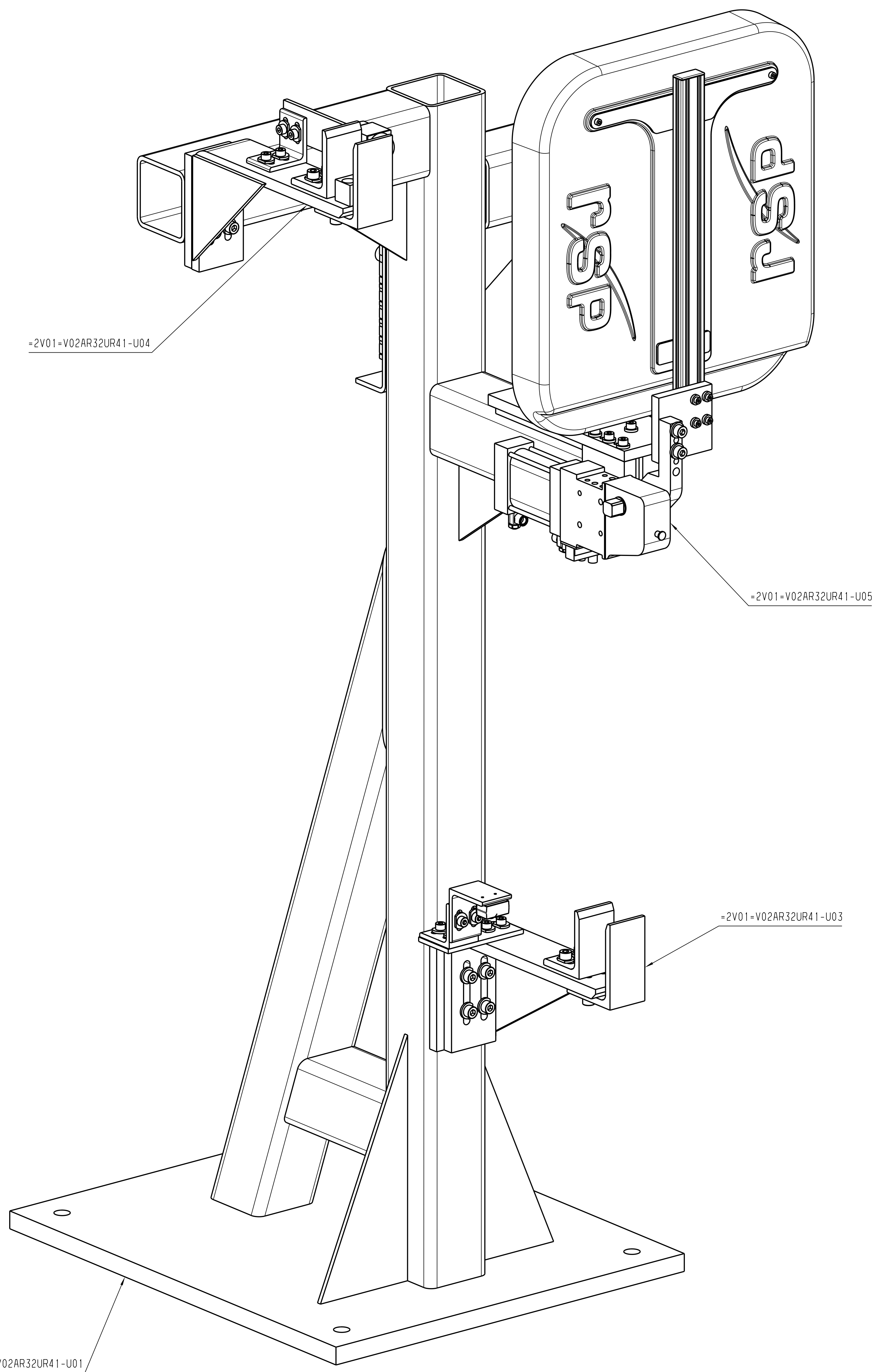
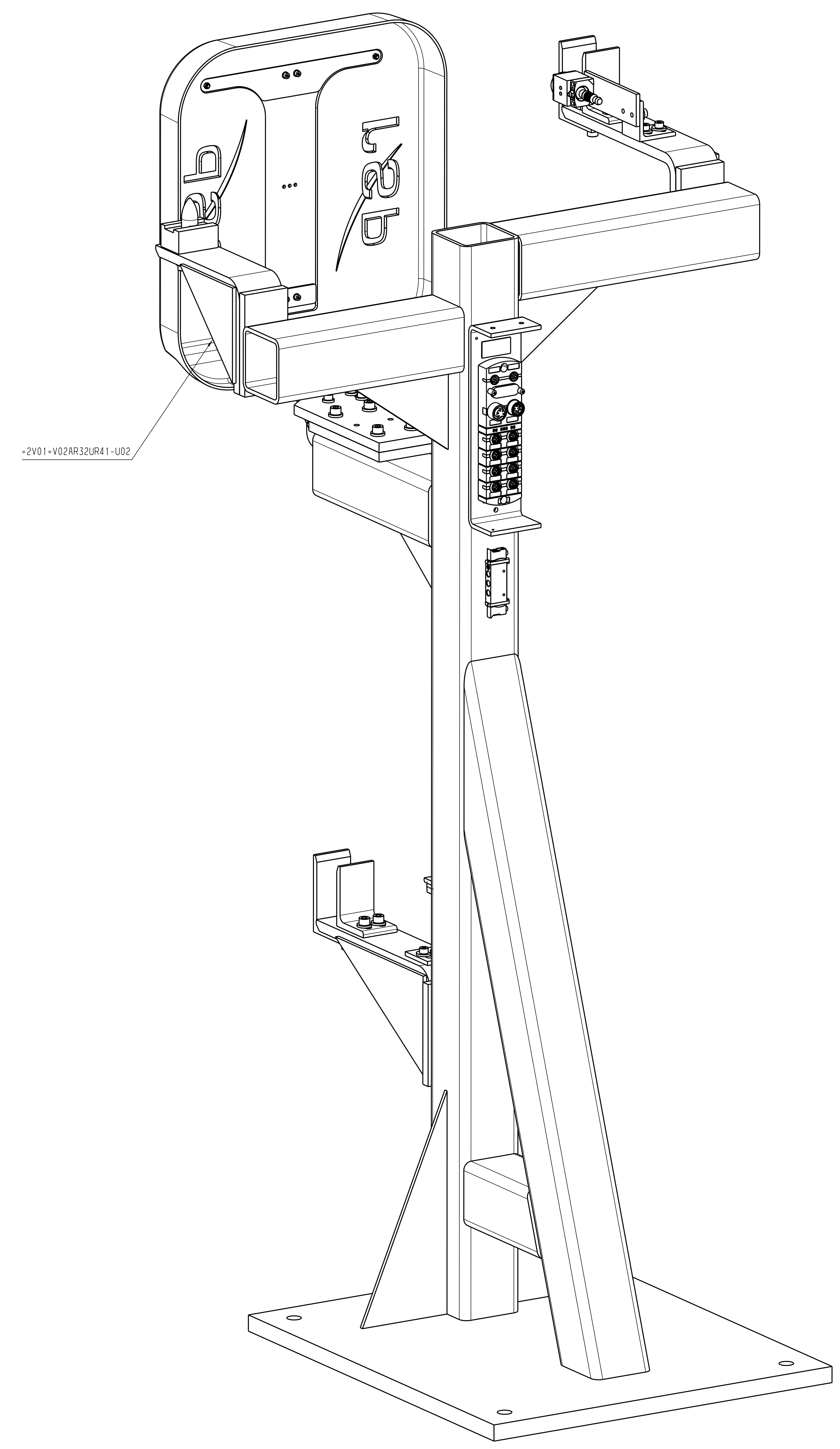


4	3	2	1
Engineering Release	Change description	Doc. release status	DOC_REL_STATUS
XX	XX	Date	XXXX-XX-XX
ERN	XX	XX	XX

SHOP CHANGE		
CHANGES	DATE	CHANGED BY
B MODIFIED: DOCUMENT NO., DOCUMENT TITLE, MH STORAGE RACKET MOVED	7/11/22	KK GRH



ISO VIEW 1



ISO VIEW 2

STA 040
KEYSHEET
WEIGHT: 443.98#

External Company	VOLVO
External Specification	EXTERNAL SPECIFICATION
Material	MATERIAL
Surface Treatment	SURFACE TREATMENT
DSM Number	DSM_NUMBER
Symbolic designations and general drawing method STD 101-0005	
Tolerance unless otherwise stated ISO 2768-m Sharp edges broken when function allows	
Drawn by	Date
KK GmbH	5/30/2022
Drawn by	Date
XX	XX
Approved	Date
XX	XX
Projection	Request reference
1st angle	REQ_REF
The copying, distribution and utilization of this document as well as the compilation of its contents to other works without expressed authorization is prohibited. If there will be any further reproduction of this document, it must be done in the name of the originator, and it must be done by a person authorized by the originator.	
Document title	FRAMING
Document No.	MH STORAGE RACK
Document No.	FRM-040-SR7
Document type	Document type
Owner: domain/Document prefix	
Document No.	Version
=2V01=V02AR32UR41	01
Sheet No.	1 / 1

VOLVO
Volvo Truck Corporation

16152-1040-430-7