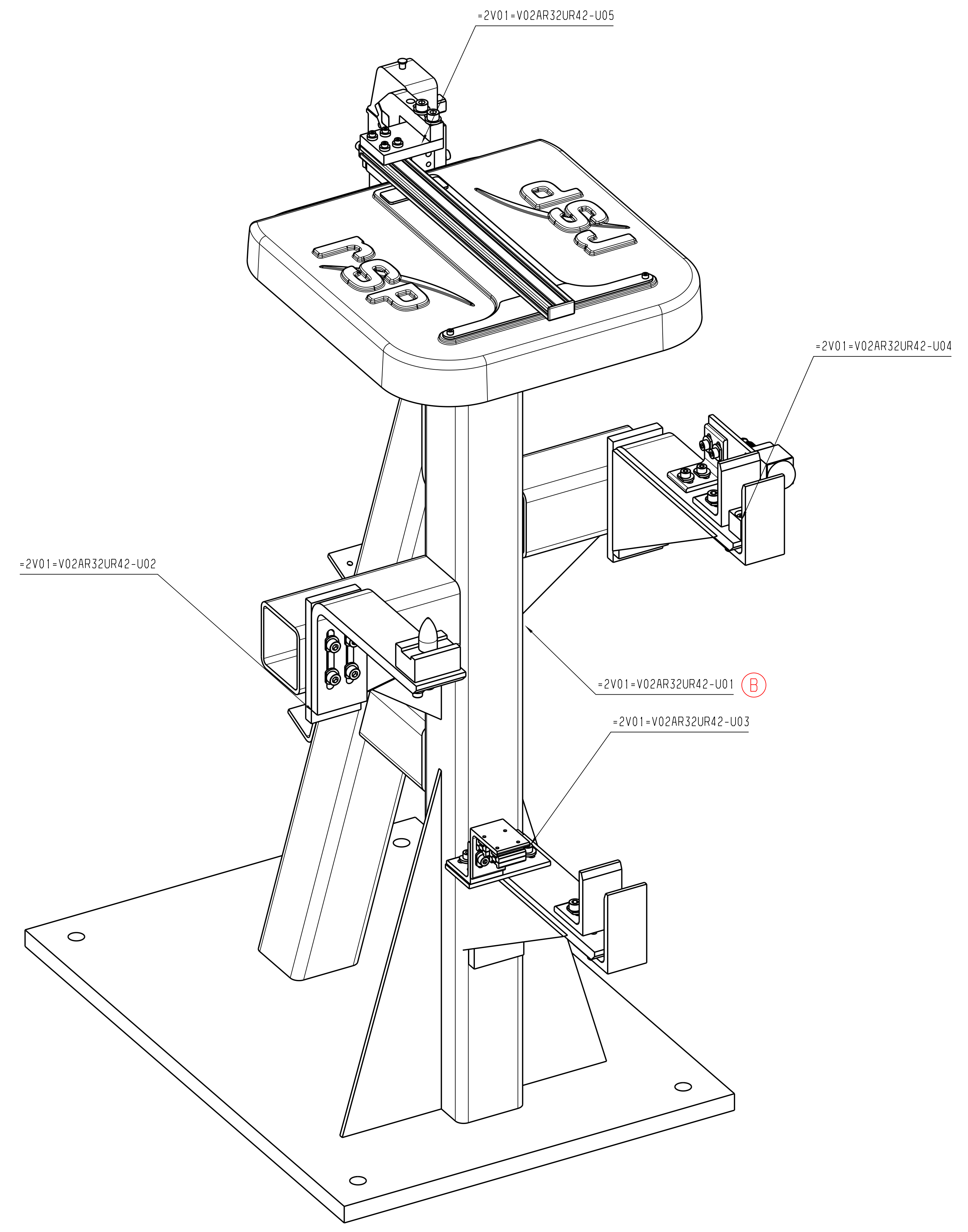


4	3	2	1
Engineering Release	Location	Change description	Sub-assembly
ERN	XX	XX	XX

SHOP CHANGE			
CHANGES	DATE	CHANGED BY	
B MODIFIED: U01	6/7/22	XX GREN	



ISO VIEW

STA 040
KEY SHEET
WEIGHT :456.41#

16152-1040-430-8-

External Company	VOLVO		
External Specification	EXTERNAL SPECIFICATION		
Material	MATERIAL		
Surface Treatment	SURFACE TREATMENT		
DSM Number	DSM_NUMBER		
Symbols, designations and general drawing method STD 101-0005			
Tolerance unless otherwise stated ISO 2768-m Sharp edges broken when function allows			
Drawn by	Date	Scale	Proj
KK GmbH	5/23/2022	-	A0
Approved	Date	Projection	Request reference
XX	XX		REQ_REF
The copying, distribution and utilization of this document as well as the completion of its contents to generate a third approved copy is prohibited, if there will be any liability for reasons of damage. All rights reserved in the event of a patent, willfully made by criminal design registration.			
VOLVO Volvo Truck Corporation		Document title FRAMING MH STORAGE RACK UB-040-SRB	Document type Drawing
Drawn	Version	Sheet No	
XX			
=2V01=V02AR32UR42		01	1/1