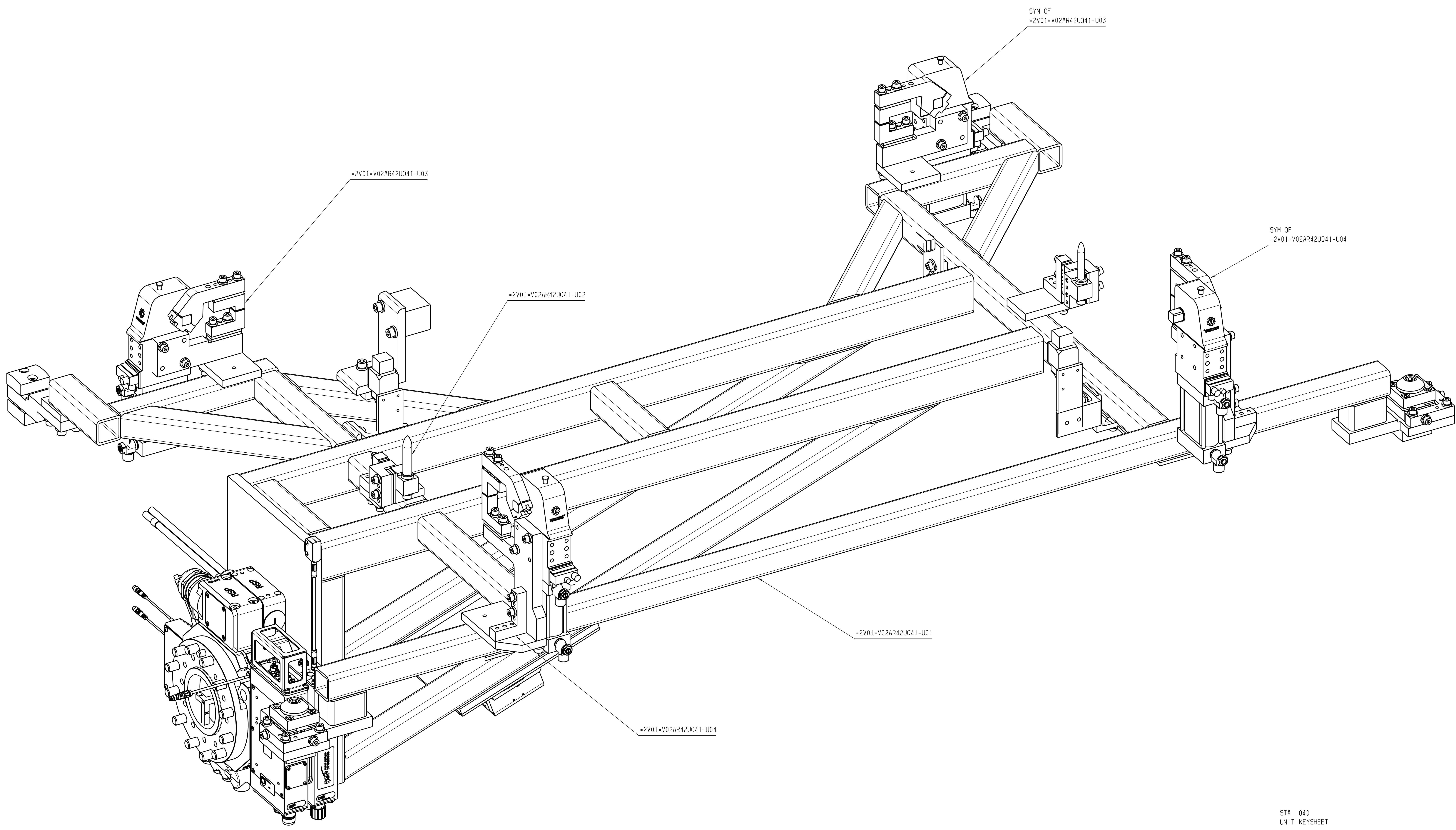


Engineering Release	Location	Change description	Subject	Version	Document release status
XX	XX				DOC_REL_STATUS
ERN	XX	XX			Date: XXXX-XX-XX Revision count: XX



STA 040
UNIT KEYSHEET
WEIGHT: 486.08 #

150 VIEW

16152-1040-204-2

External Company	VOLVO		
External Specification	EXTERNAL SPECIFICATION		
Material	MATERIAL		
Surface Treatment	SURFACE TREATMENT		
DSM Number	DSM_NUMBER		
Symbol, designations and general drawing method STD 101-0005			
Tolerance unless otherwise stated ISO 2768-m Sharp edges broken when function allows			
Drawn by	Date	Scale	Proj
KK GmbH	6/9/2022	-	A0
Approved	Date	Projection	Request reference
XX	XX	1st angle	REQ_REF
The copying, distribution and utilization of this document as well as the completion of its contents to generate without expressed authorization is prohibited. If there will be held liable for reasons of damage. All rights reserved in the event of a patent, utility model or trademark design registration.		Document title	Document type
		FRAMING	
		GEO EOAT	
		FRM-040-MH2	
		Document type	
VOLVO Volvo Truck Corporation		Owner system/Document prefix	
Document No	Version	Sheet No	
=2V01-V02AR42U041	01	1/1	