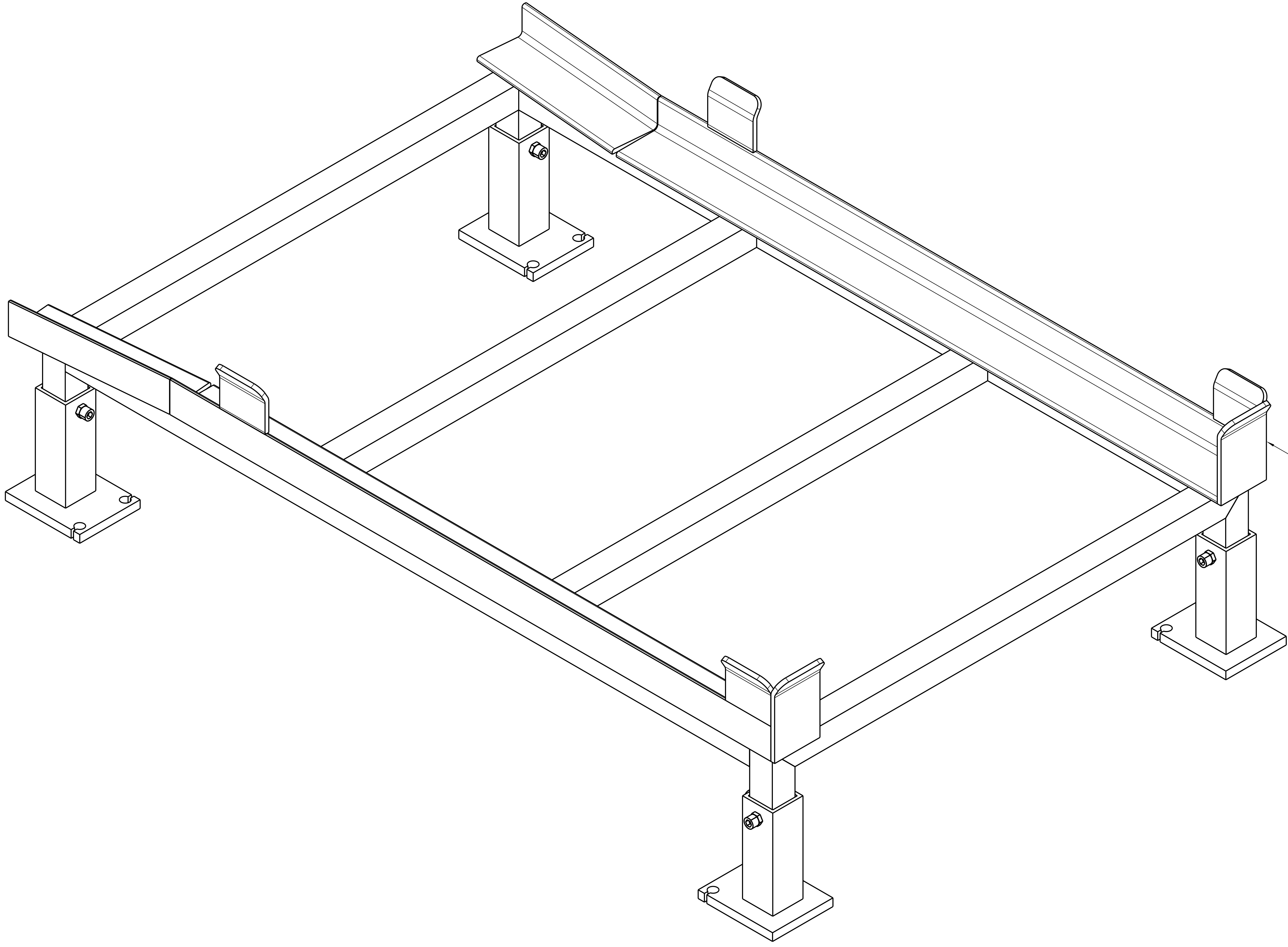


Engineering Release	Location	Change description	Author	Checked	Document release status
ERN	XX	XX			DOC_REL_STATUS Date: XXXX-XX-XX Specification count: XX



=2V14=V01CM1-U01

STA 435
KEY SHEET
WEIGHT : 991.2#

ISO VIEW

16153-1435-700-1

External Company	VOLVO		
External Specification	EXTERNAL SPECIFICATION		
Material	MATERIAL		
Surface Treatment	SURFACE TREATMENT		
DSM Number	DSM_NUMBER		
Symbols, designations and general drawing method STD 101-0005			
Tolerance unless otherwise stated ISO 2768-m Sharp edges broken when function allows			
Drawn by	Date	Scale	Size
JET	18/10/2023	1:5	A0
Approved	Date	Projection	Request reference
XX	XX	1st angle	REQ_REF
The copying, distribution and utilization of this document as well as the completion of its contents to generate without expressed authorization is prohibited. If there will be any issue for reasons of damage. All rights reserved in the world. If the print of a detail, will be made by original design registration.			
Document title		SUB SIDEBODY	
Document No		RACK RISER WITH GUIDES	
Version		XXX	
Document type		-	
Owner/owner/Document prefix		-	
Document No		2V14=V01CM1	
Version		01	
Sheet No		1/1	
VOLVO TRUCK CORPORATION			