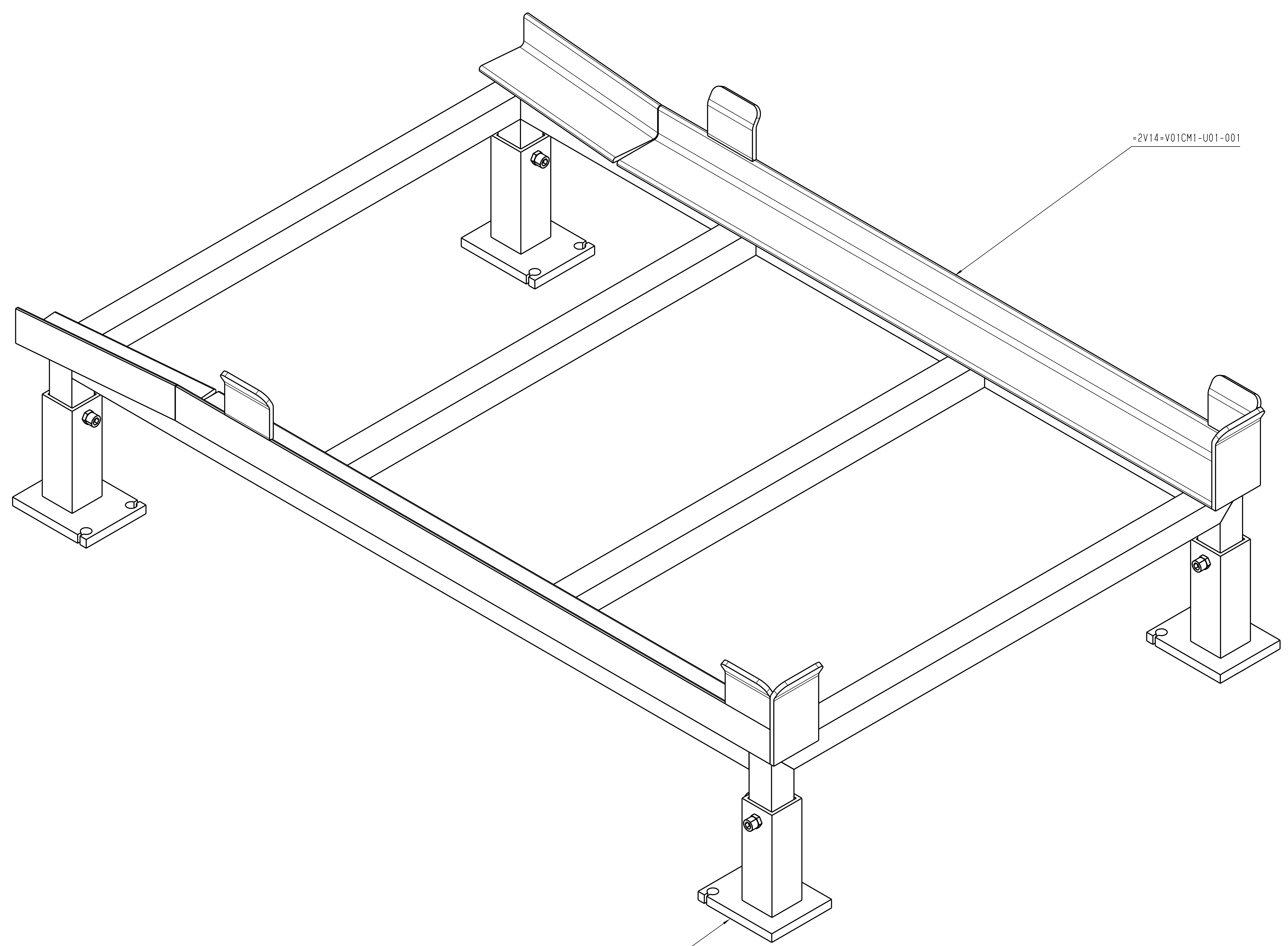


Engineering Release Notice	Location	Change description	Author	Checked	Doc. release status
ERN	XX	XX			DOC_REL_STATUS Date: XXXX-XX-XX Specification count: XX



=2V14=V01CM1-U01-002

=2V14=V01CM1-U01-001

ISO VIEW

STA 435
UNIT 001
WEIGHT : 991,2#

16153-1435-700-1-001

External Company	VOLVO		
External Specification	EXTERNAL SPECIFICATION		
Material	MATERIAL		
Surface Treatment	SURFACE TREATMENT		
DSM Number	DSM_NUMBER		
Symbols, designations and general drawing method STD 101-0005			
Tolerance unless otherwise stated ISO 2768-m Sharp edges broken when function allows			
Drawn by	Date	Scale	File
JET	18/10/2023	1:5	A0
Approved	Date	Projection	Request reference
XX	XX	1st angle	REQ_REF
The copying, distribution and utilization of this document as well as the communication of its contents to third parties without expressed authorization is prohibited. If there will be third parties for reasons of damage. All rights reserved in the event of a patent, will file model or intellectual design registration.		Document title	Document type
		SUB SIDEBODY RACK RISER WITH GUIDES	XX
VOLVO Volvo Truck Corporation		Doc. name/Document prefix	Doc. No.
		=2V14=V01CM1	XX
		Version	Sheet No.
		01	1/1