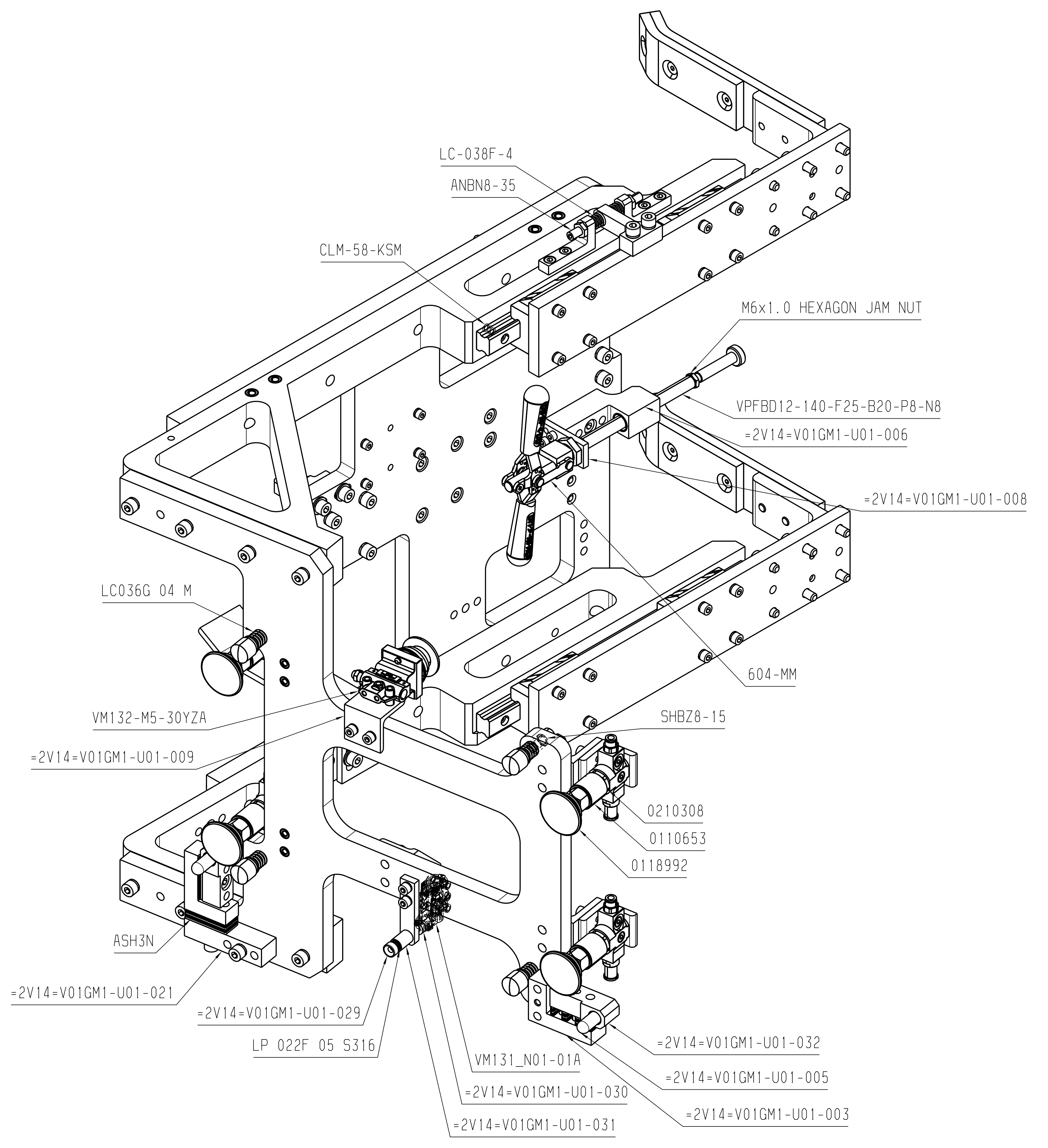


ISO VIEW-1



ISO VIEW-2

STA 425
UNIT 001
WEIGHT : 68.5 #

External Company	VOLVO
External Specification	EXTERNAL SPECIFICATION
Material	MATERIAL
Surface Treatment	SURFACE TREATMENT
DSM Number	DSM_NUMBER
Symbols, designations and general drawing method STD 101-0005	
Tolerance unless otherwise stated ISO 2768-m Sharp edges broken when function allows	
Drawn by	JET
Date	30/10/2023
Scale	1:2
Projection	1st Angle
Request reference	REQ_REF

16153-1425-244-1-001

VOLVO
Volvo Truck Corporation

Document title: SUB SIDE BODY LUGGAGE LID INSTALL FIXTURE
Document No: 16153-1425-244-1-001
Revision: 01
Sheet No: 1/1