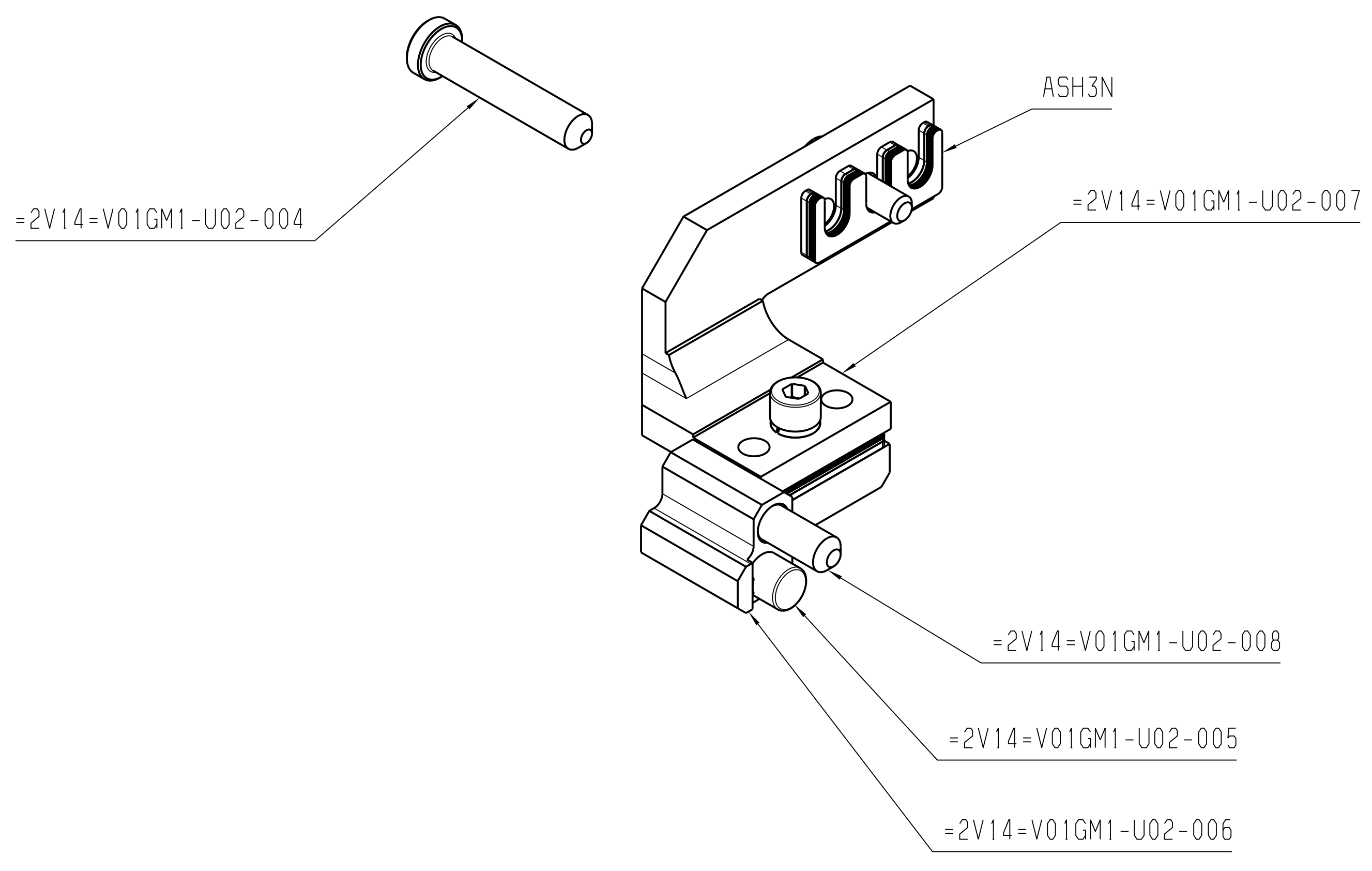
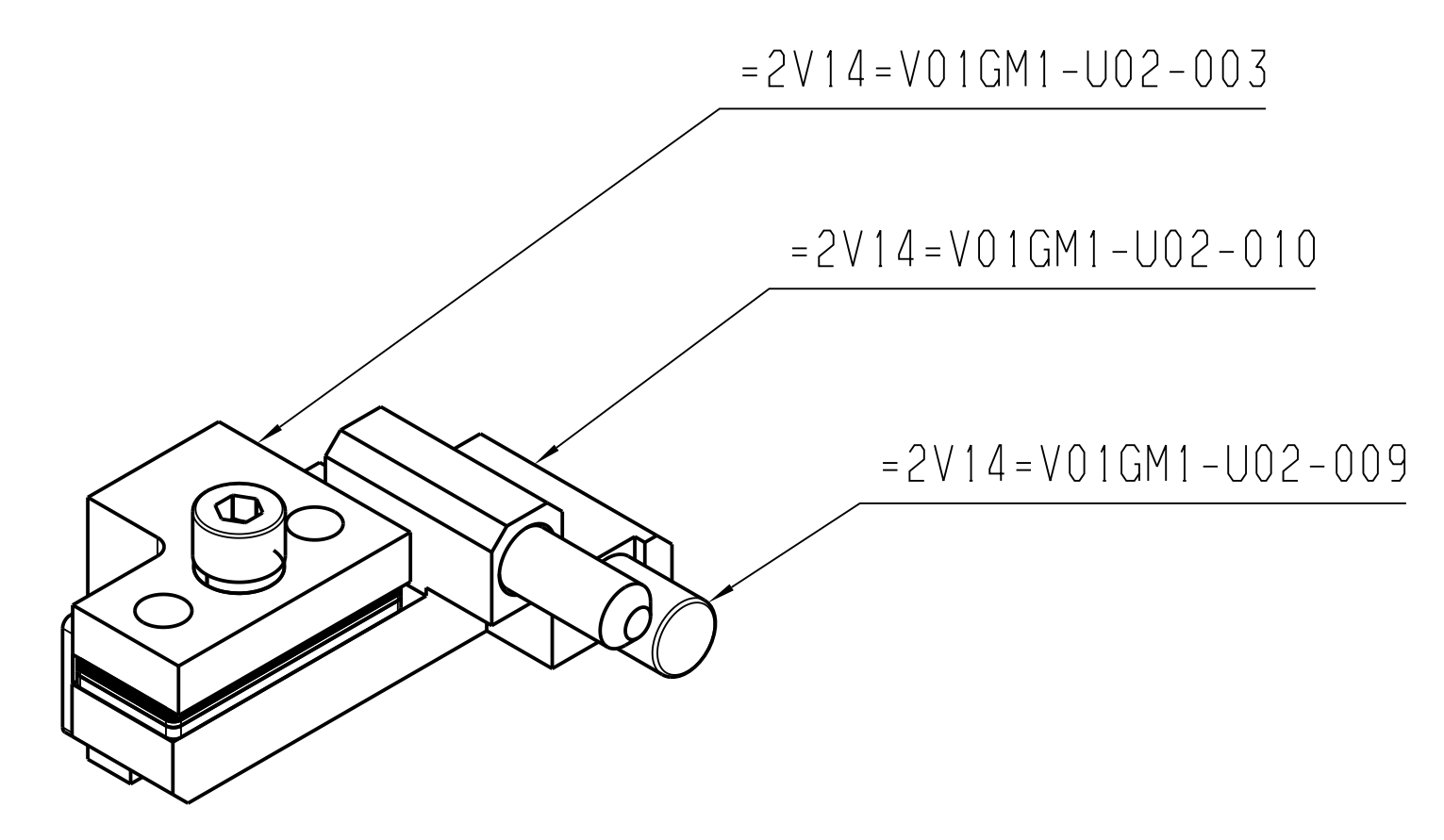
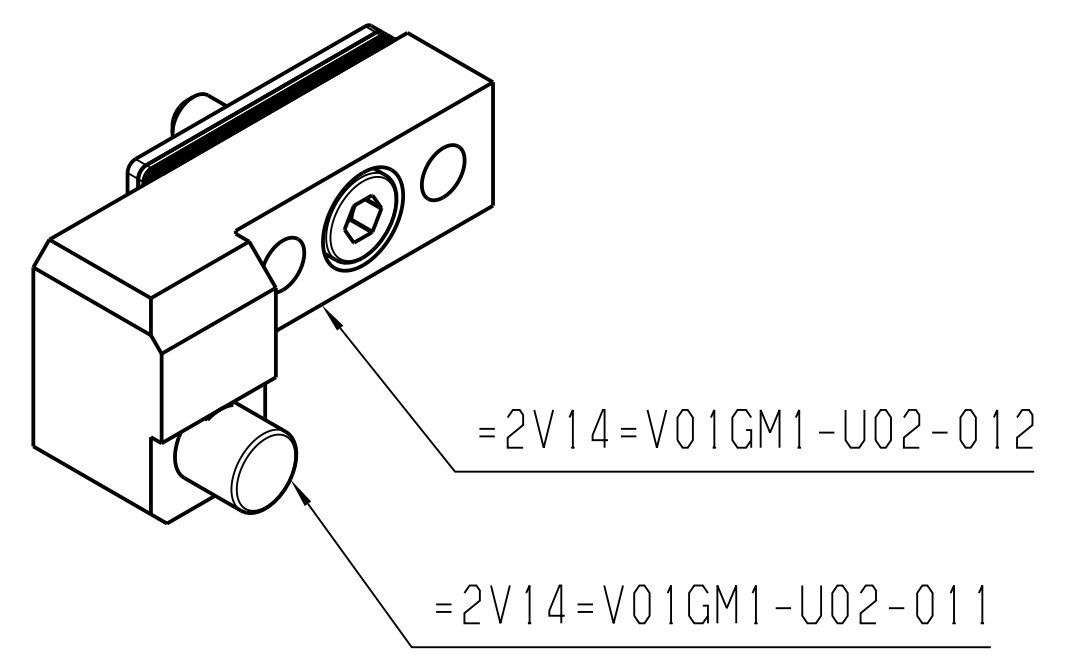
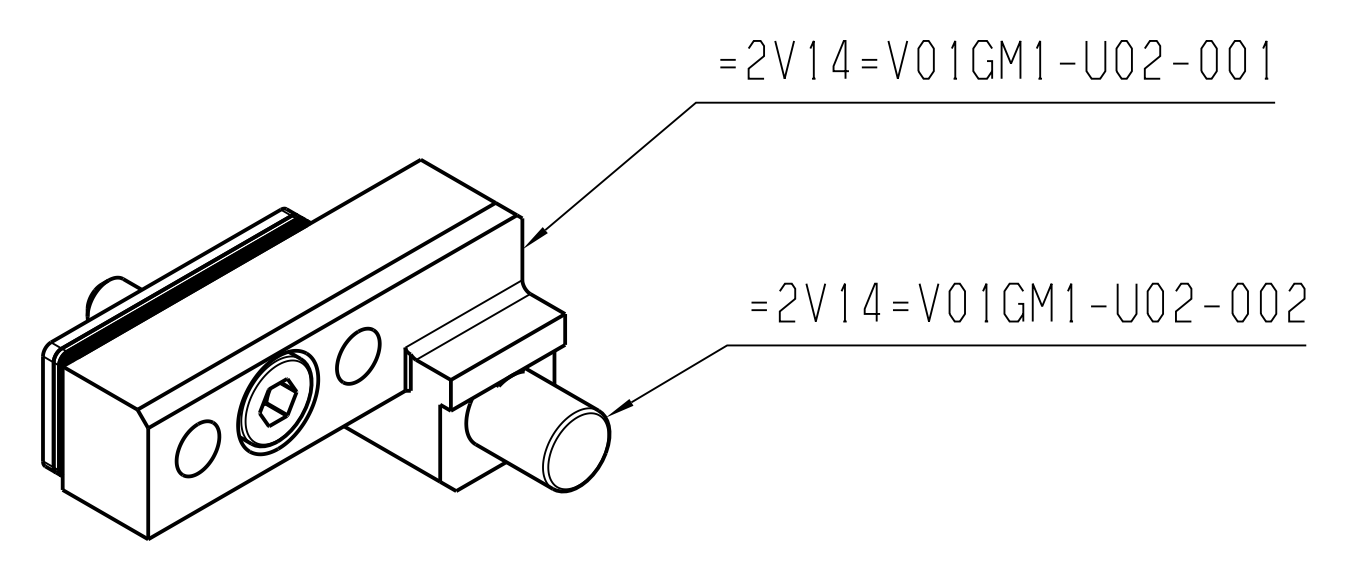


4	3	2	1
Engineering Release	Location	Change description	Subject
XX	XX		XXX-XX-XX
ERN	XX	XX	DOC_REL_STATUS
			Date: XXXX-XX-XX
			Specification count



ISO VIEW

STA 425
UNIT 002
WEIGHT : 3.6 #

16153-1425-244-1-002

External Company	VOLVO		
External Specification	EXTERNAL SPECIFICATION		
Material	MATERIAL		
Surface Treatment	SURFACE TREATMENT		
DSM Number	DSM_NUMBER		
Symbols, designations and general drawing method STD 101-0005			
Tolerance unless otherwise stated ISO 2768-m Sharp edges broken when function allows			
Drawn by	Date	Scale	First
JET	30/10/2023	1:1	A0
Approved	Date	Projection	Request reference
XX	XX	1st angle	REQ_REF
The copying, distribution and utilization of this document as well as the compilation of its contents to generate a third document without the express authorization of Volvo is prohibited. Any rights reserved in the event of a patent, will be the responsibility of the original design registration.		Document title	Sheet No
		SUB SIDE BODY LUGGAGE LID INSTALL FIXTURE	1/1
		XXXXXX	
		Document type	Version
		Sub-assembly/Document prefix	01
		Document No	Sheet No
		=2V14=V01GM1	1/1
		Volvo Truck Corporation	