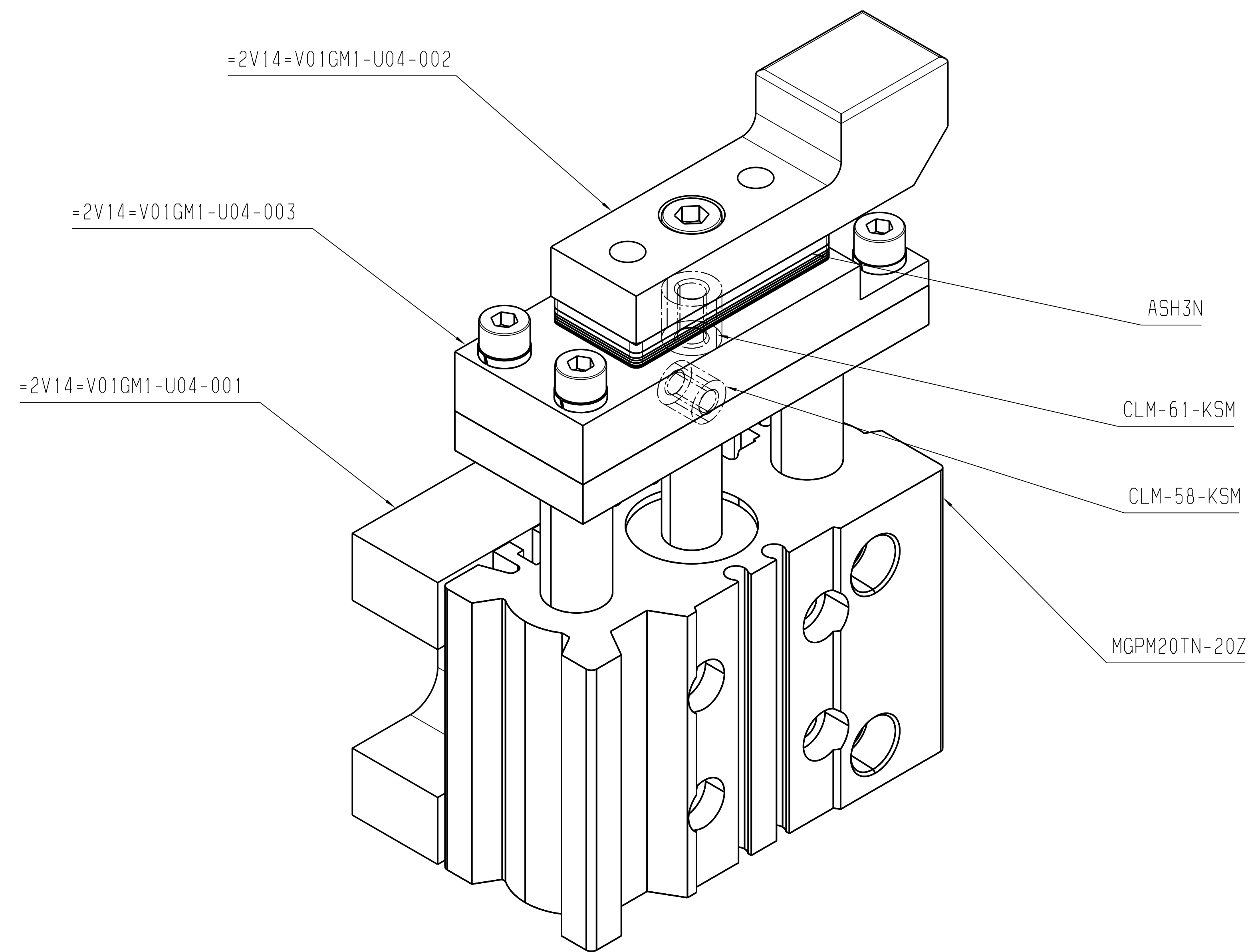


Engineering Release Notice	Release Location	Change description	Subject Discretion	Access	Document release status
ERN	XX	XX			DOC_REL_STATUS Date: XXXX-XX-XX Specification count: XX



ISO VIEW

STA 425
UNIT 004
WEIGHT : 0.95 #

16153-1425-244-1-004

External Company	VOLVO		
External Specification	EXTERNAL SPECIFICATION		
Material	MATERIAL		
Surface Treatment	SURFACE TREATMENT		
DSM Number	DSM_NUMBER		
Symbols, designations and general drawing method STD 101-0005			
Tolerance unless otherwise stated ISO 2768-m Sharp edges broken when function allows			
Drawn by	Date	Scale	First
JET	30/10/2023	2:1	A0
Approved	Date	Projection	Request reference
XX	XX	1st angle	REQ_REF
The copying, distribution and utilization of this document as well as the completion of its contents to generate a third document without the express authorization of Volvo is prohibited. All rights reserved in the event of a patent, utility model or industrial design registration.		Document title SUB SIDE BODY LUGGAGE LID INSTALL FIXTURE XXXXXX	
VOLVO Volvo Truck Corporation		Document type Doc# system/Document prefix XX Document no =2V14=V01GM1	
		Version	Sheet No
		01	1/1