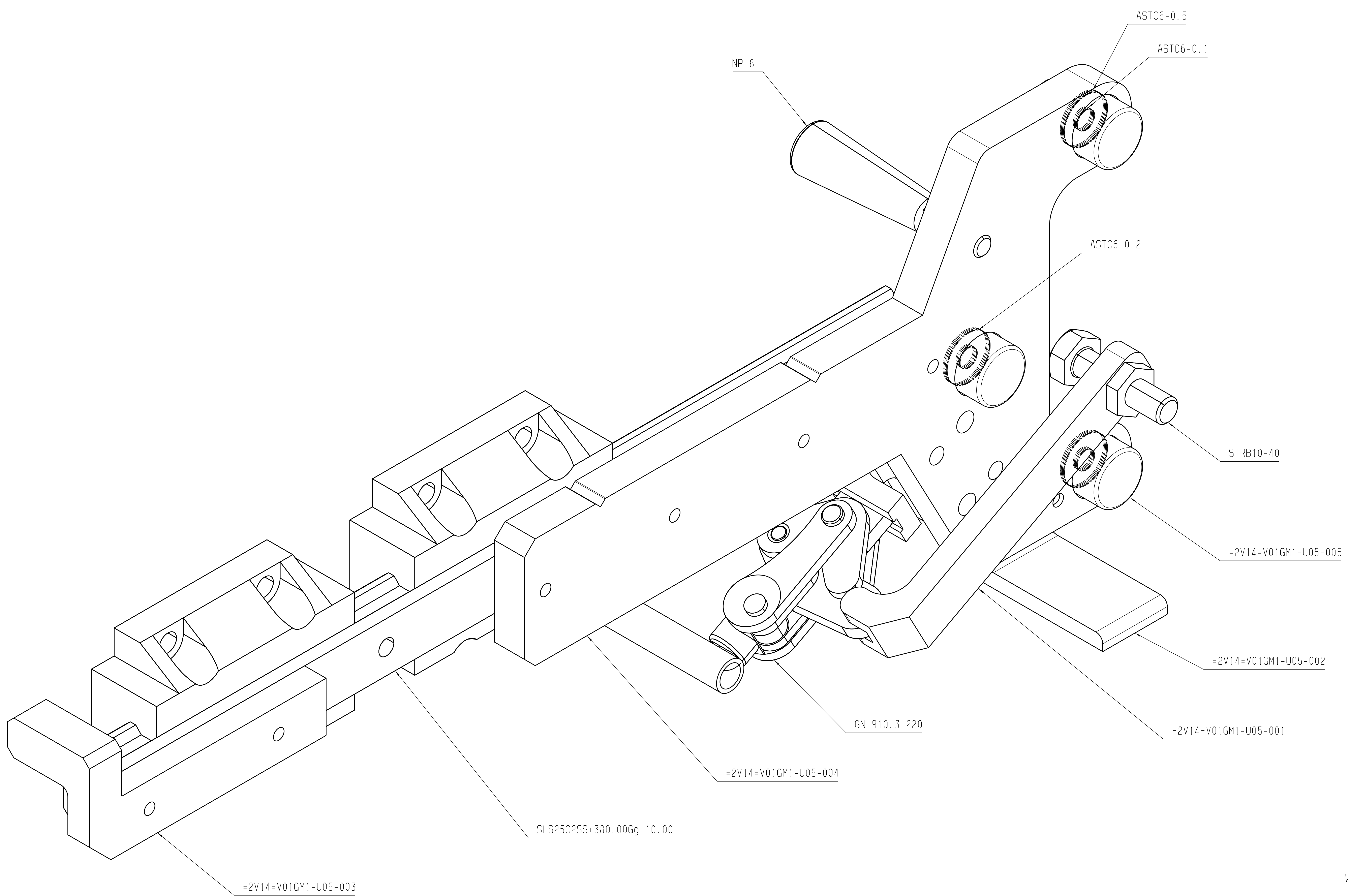


Engineering Release	Location	Change description	Author	Checked	Doc. release status
ERN	XX	XX			DOC_REL_STATUS Date: XXXX-XX-XX Specification count: XX



STA 425
UNIT 005
WEIGHT : 6.69 #

16153-1425-244-1-005

External Company	VOLVO		
External Specification	EXTERNAL SPECIFICATION		
Material	MATERIAL		
Surface Treatment	SURFACE TREATMENT		
DSM Number	DSM_NUMBER		
Symbols, designations and general drawing method STD 101-0005			
Tolerance unless otherwise stated ISO 2768-m Sharp edges broken when function allows			
Drawn by	Date	Scale	First
JET	30/10/2023	2:1	A0
Approved	Date	Projection	Request reference
XX	XX	1st angle	REQ_REF
The copying, distribution and utilization of this document as well as the compilation of its contents to generate a third document without the prior written consent of Volvo will be held liable for reasons of damage. All rights reserved in the event of the grant of a patent, will be held by Volvo Truck Corporation.		Document title SUB SIDE BODY LUGGAGE LID INSTALL FIXTURE XXXXX	
VOLVO Volvo Truck Corporation		Document No	Version
		=2V14=V01GM1	01
		Sheet No	1/1