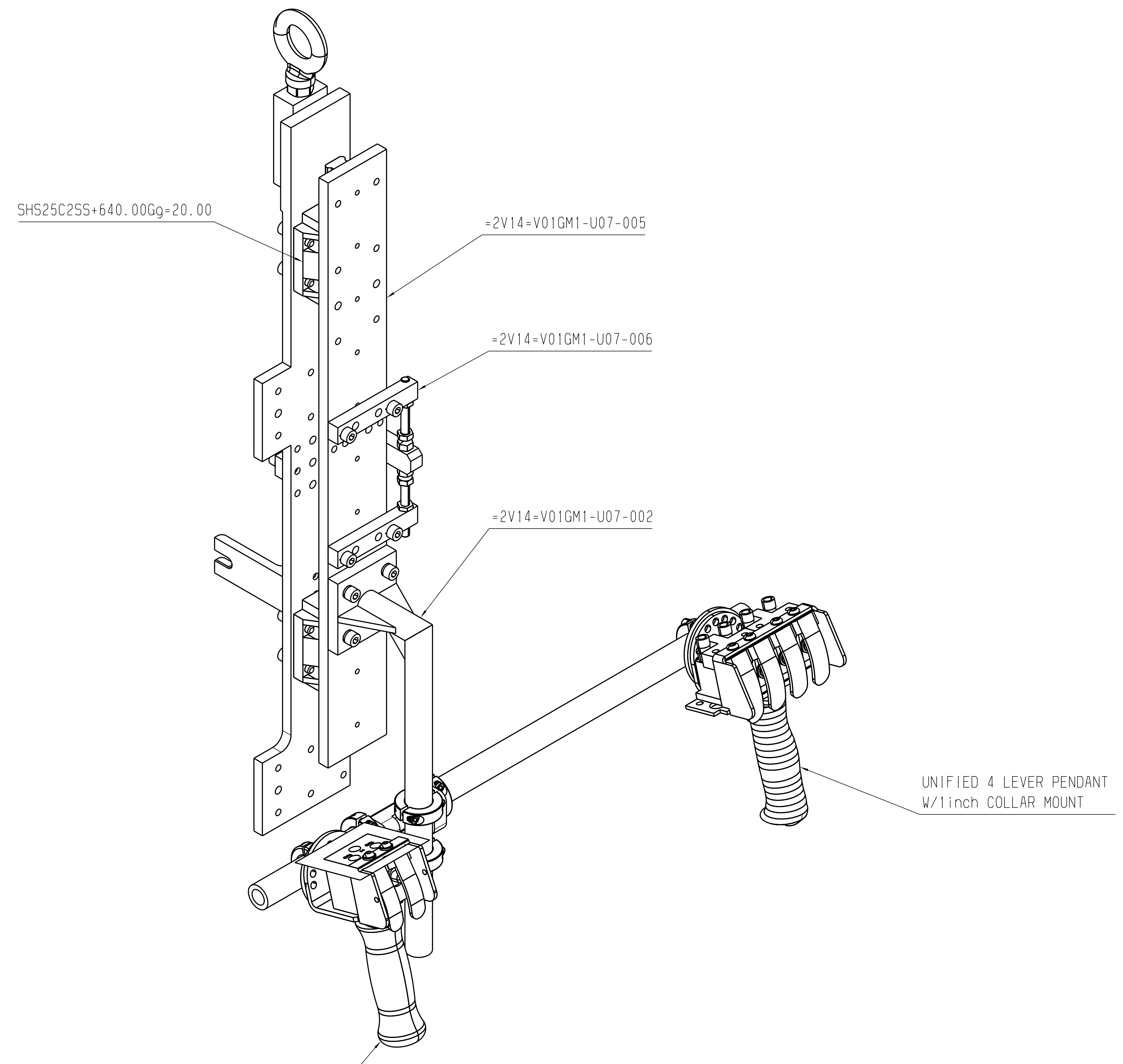


ISO VIEW-1



ISO VIEW-2

STA 425
UNIT 007
WEIGHT : 34.3 #

16153-1425-244-1-007

External Company	VOLVO
External Specification	EXTERNAL SPECIFICATION
Material	MATERIAL
Surface Treatment	SURFACE TREATMENT
DSM Number	DSM_NUMBER
Symbolic designations and general drawing method STD 101-0005	
Tolerance unless otherwise stated ISO 2768-m Sharp edges broken when function allows	
Drawn by	Date
JET	30/10/2023
Drawn by	Date
XX	XX
Approved	Date
XX	XX
The copying, distribution and utilization of this document are not permitted without the prior written consent of Volvo Group. All rights reserved. In the event of a dispute, all titles shall be deemed design registrations.	
Document title	Sub Side Body LUGGAGE LID INSTALL FIXTURE
Document No	XXXXXX
Document type	
Volvo	
Volvo Truck Corporation	
Document No	Version
=2V14=V01GM1	01
Sheet No	1/1