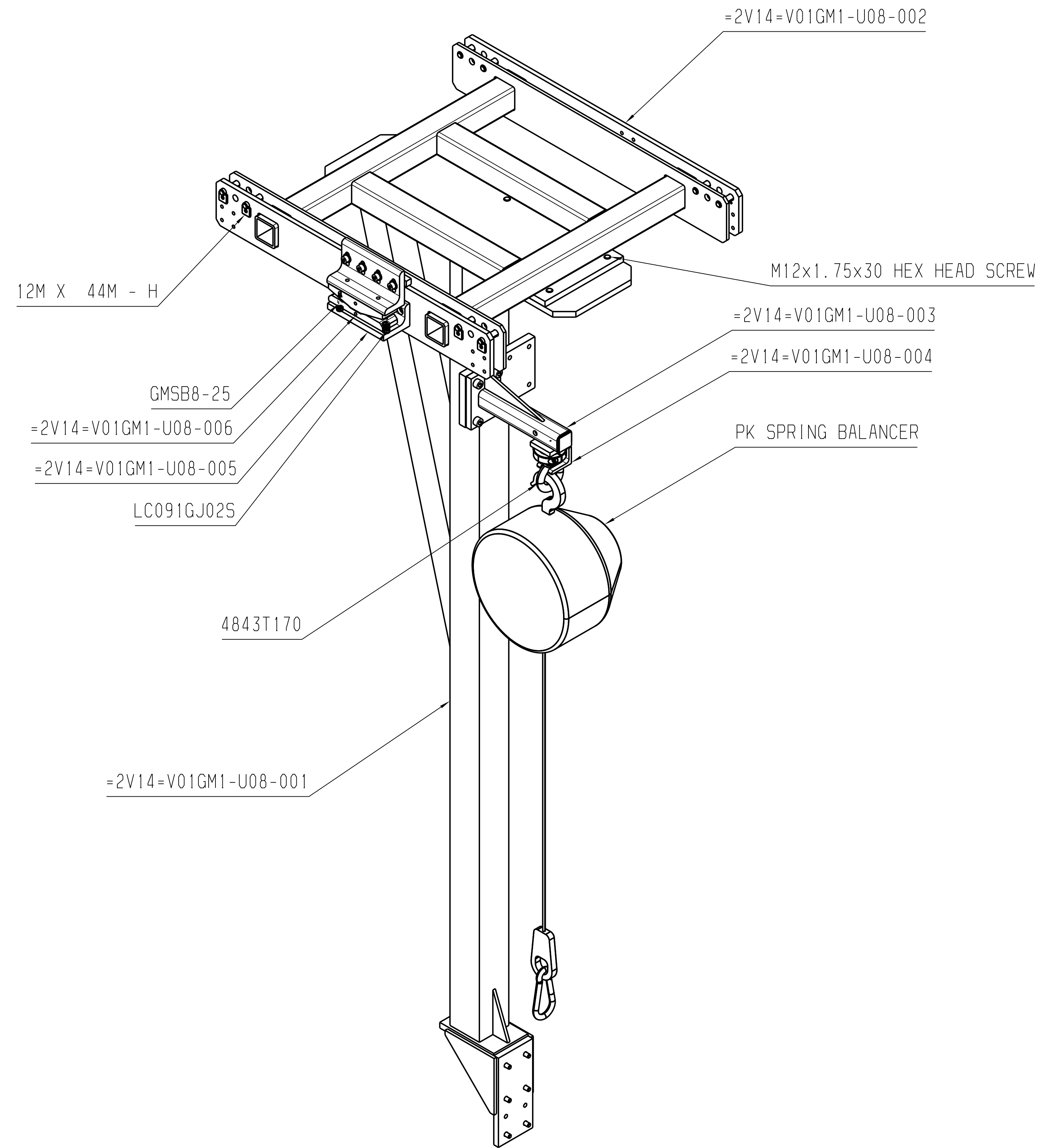
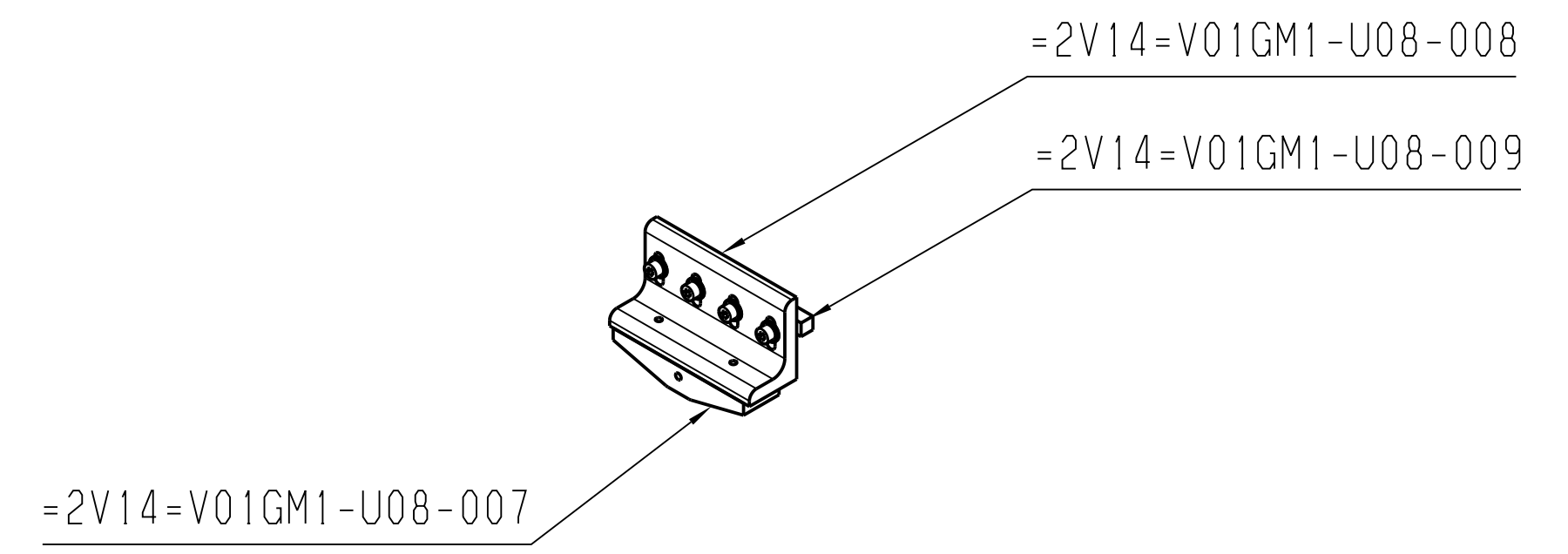


Engineering Release Notice	Release Location	Change description	Author	Checked	Doc. Rel. Status
ERN	XX	XX			DOC_REL_STATUS Date: XXXX-XX-XX Specification count: XX



STA 425
UNIT 008
WEIGHT : 213#

External Company	VOLVO		
External Specification	EXTERNAL SPECIFICATION		
Material	MATERIAL		
Surface Treatment	SURFACE TREATMENT		
DSM Number	DSM_NUMBER		
Symbols, designations and general drawing method STD 101-0005			
Tolerance unless otherwise stated ISO 2768-m Sharp edges broken when function allows			
Drawn by	Date	Scale	First
JET	30/10/2023	1:5	A0
Approved	Date	Projection	Request reference
XX	XX	1st Angle	REQ_REF
The copying, distribution and utilization of this document as well as the communication of its contents to persons without expressed authorization is prohibited. If there will be held liable for reasons of damage. All rights reserved in the event of the grant of a patent, will be held by the original design registration.		Document title SUB SIDE BODY LUGGAGE LID INSTALL FIXTURE XXXXX	
VOLVO Volvo Truck Corporation		Document type =	Document No =2V14=V01GM1
		Version 01	Sheet No 1/1