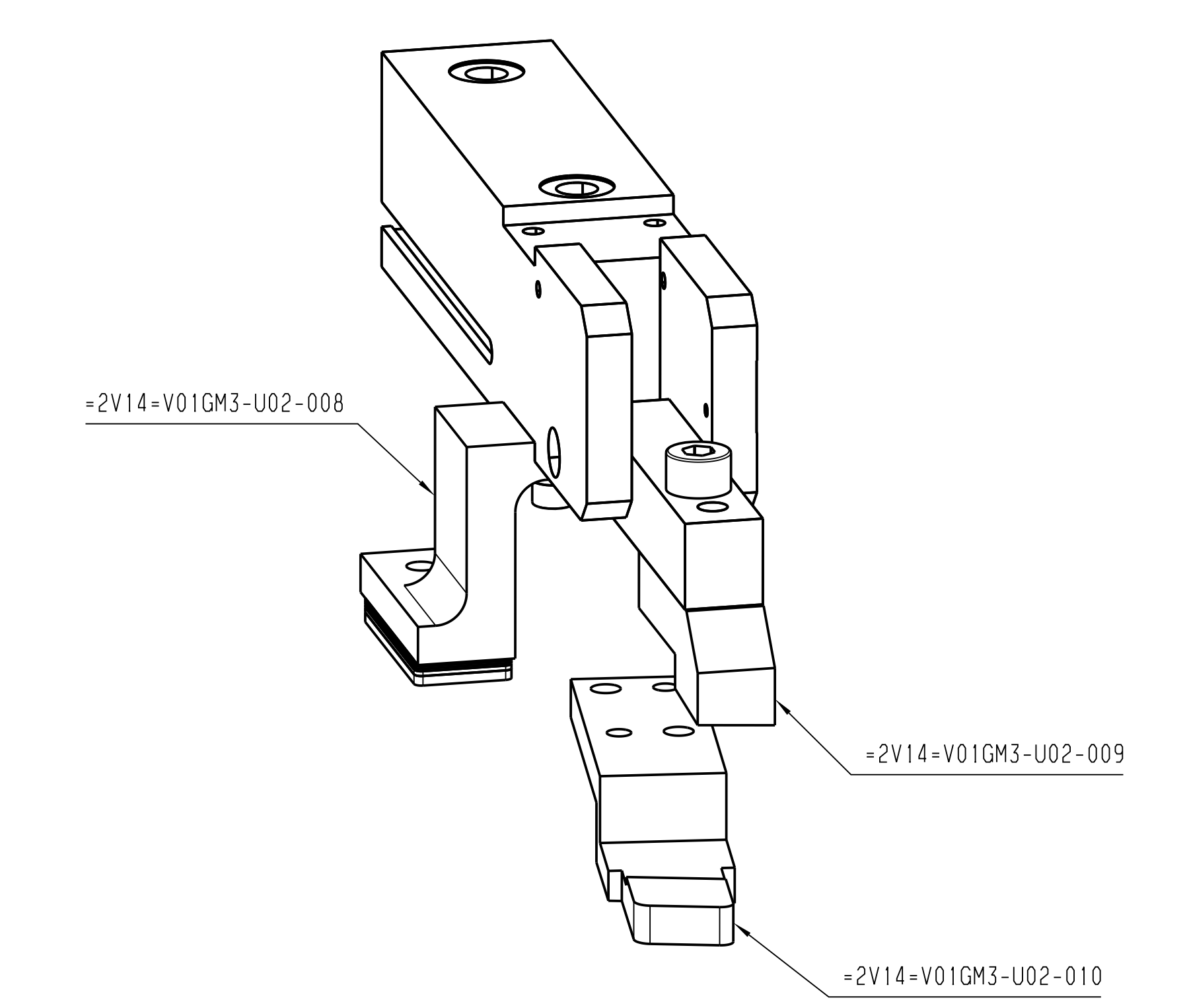
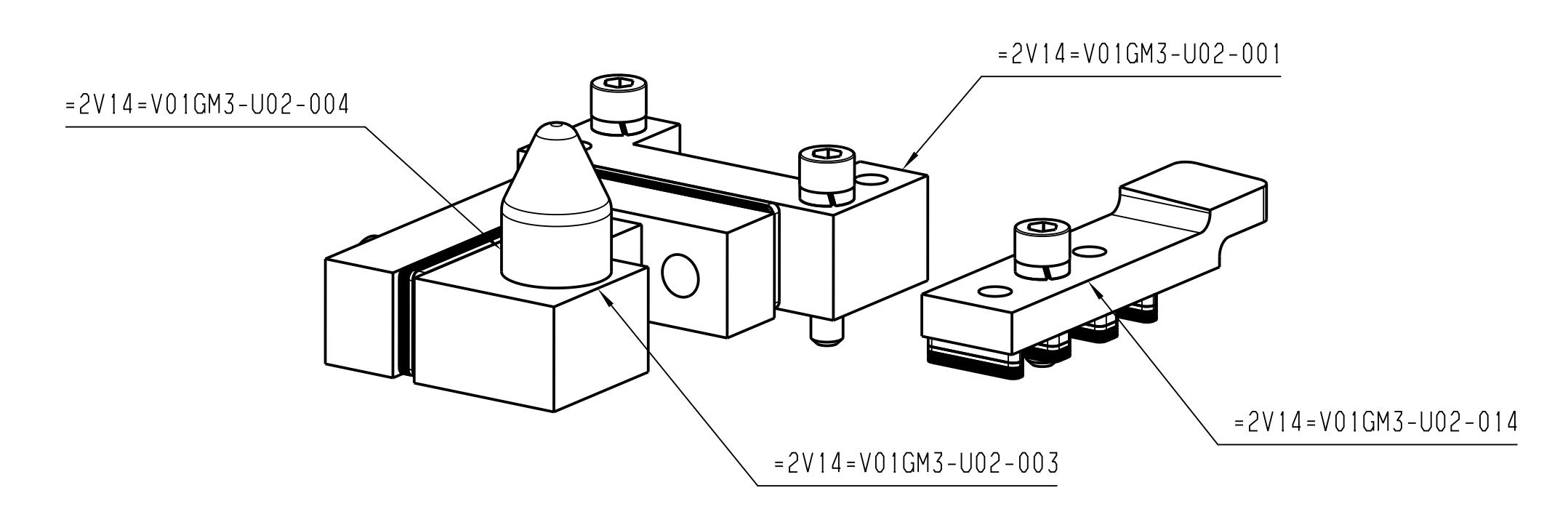
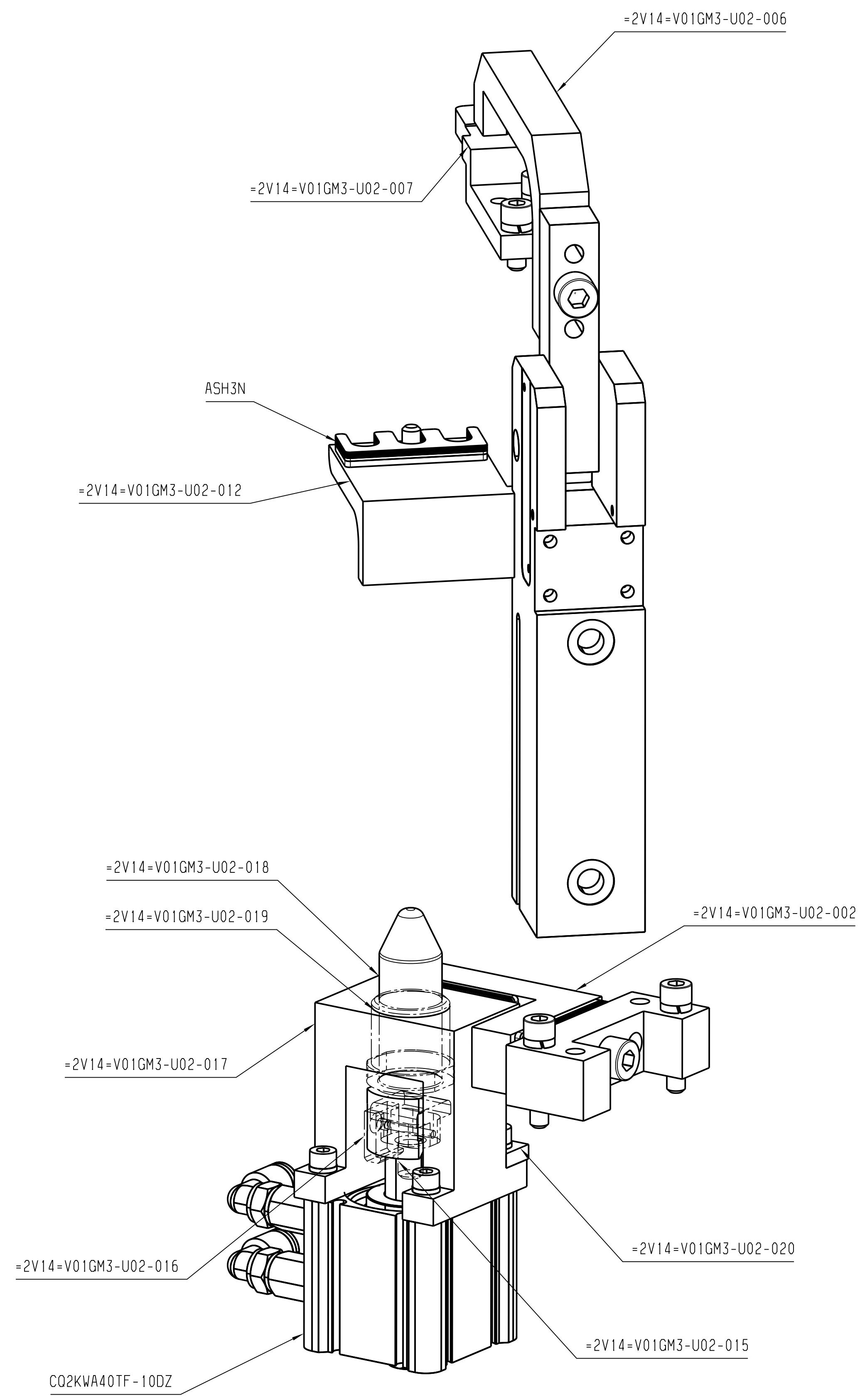
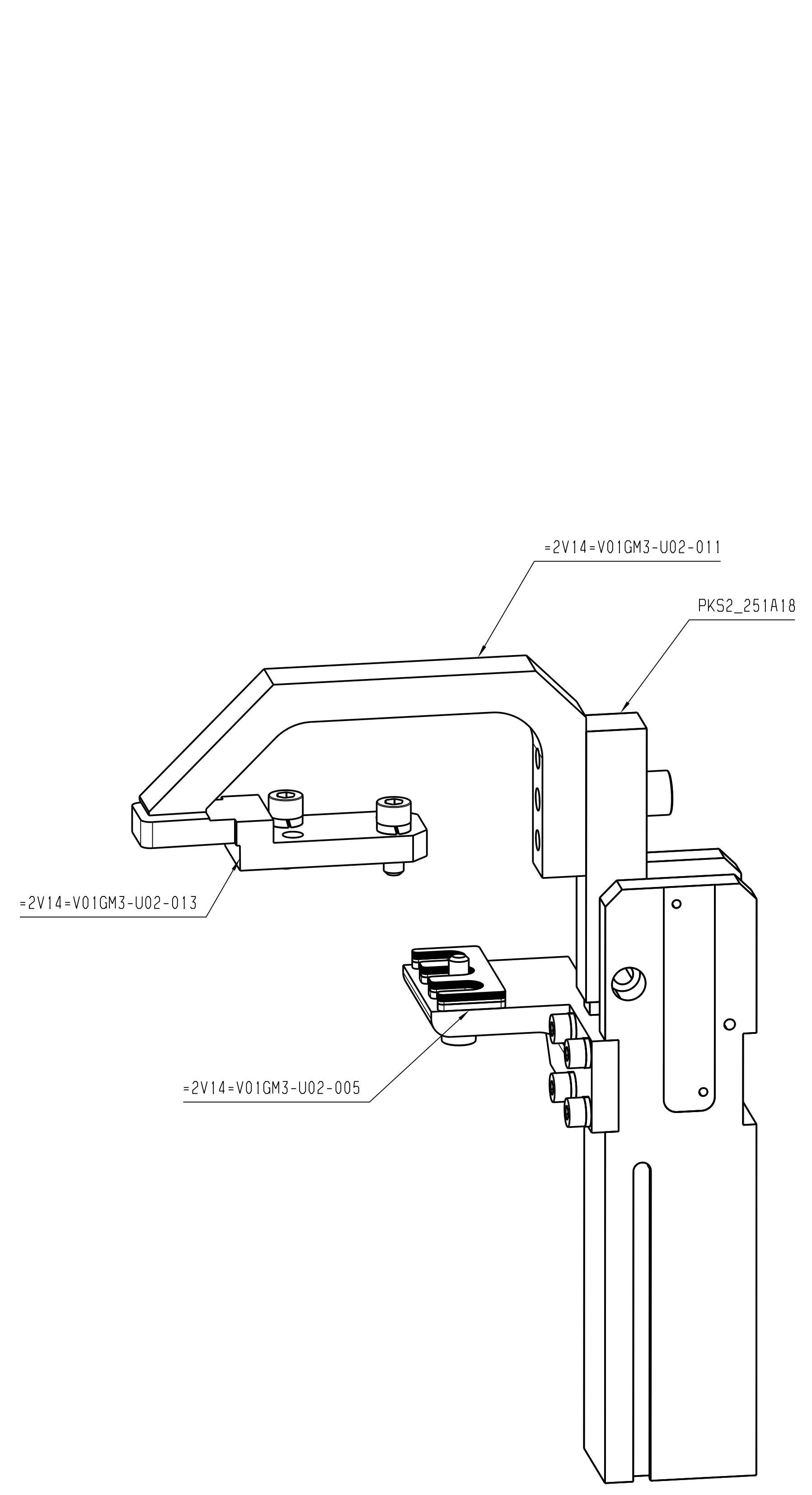


Engineering Release	Release	Location	Change description	Subject	Version	Document release status
ERN	XX	XX				DOC_REL_STATUS Date: XXXX-XX-XX Specification count: XX



ISO VIEW

STA 435
UNIT 002
WEIGHT : 8.9 #

16153-1435-244-1-002

External Company	VOLVO		
External Specification	EXTERNAL SPECIFICATION		
Material	MATERIAL		
Surface Treatment	SURFACE TREATMENT		
DSM Number	DSM_NUMBER		
Symbolic designations and general drawing method STD 101-0005			
Tolerance unless otherwise stated ISO 2768-m Sharp edges broken when function allows			
Drawn by	Date	Scale	First
JET	20/10/2023	1:1	A0
Approved	Date	Projection	Request reference
XX	XX	1st Angle	REQ_REF
The copying, distribution and utilization of this document as well as the communication of its contents to third parties without express authorization is prohibited. If there is any doubt, please refer to the terms of the license. All rights reserved in the event of a patent, trademark, or other intellectual property registration.			
Document title		Document type	
SUB SIDE BODY DOOR TO BODY INSTALL FIXTURE		-	
Supplier document prefix		-	
Document No		Version	Sheet No
=2V14=V01GM3		01	1/1