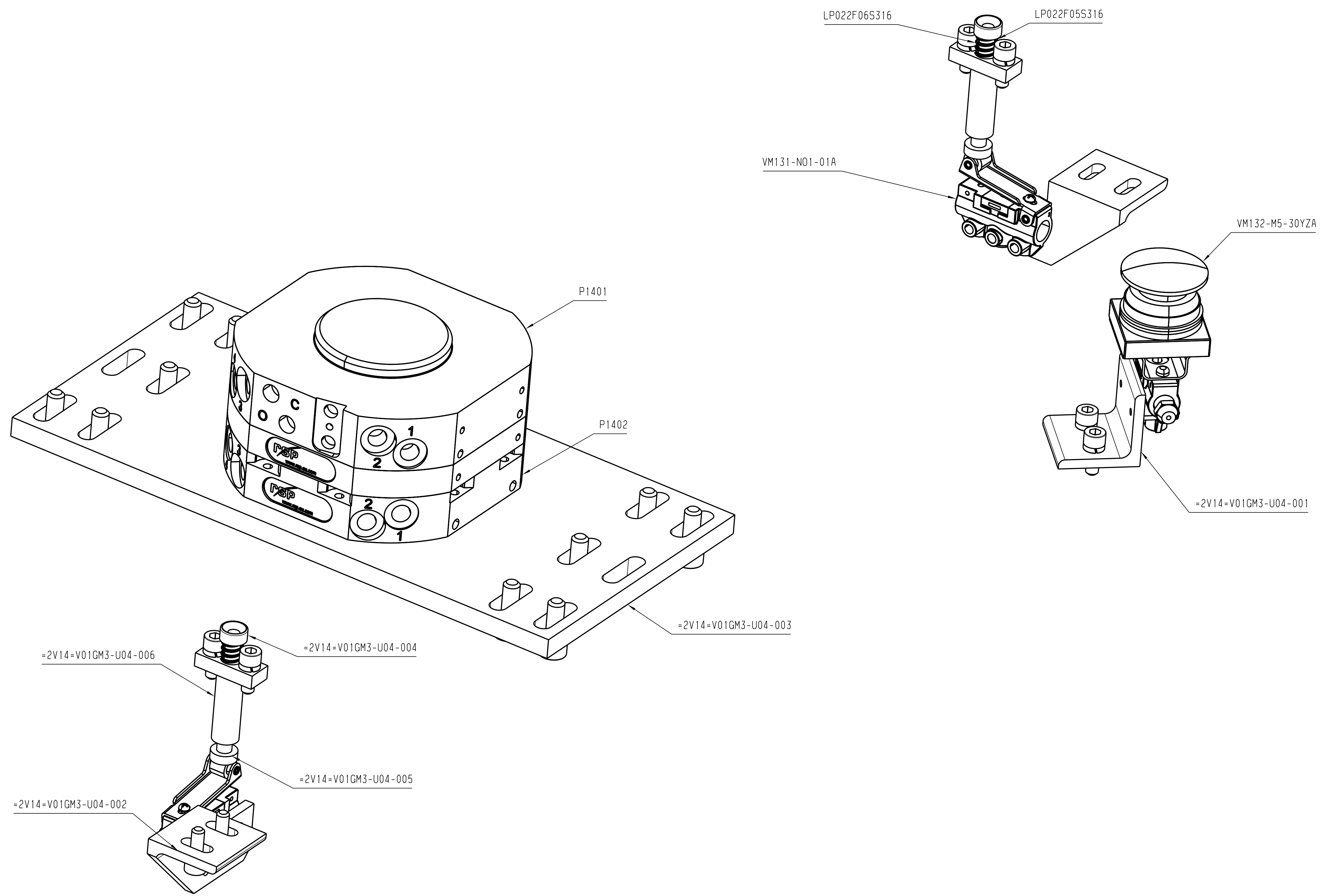


4	3	2	1
Engineering Release	Location	Change description	Subject
XX	XX		Doc. release status
ERN	XX	XX	DOC_REL_STATUS
			Date
			XXXX-XX-XX
			Revision count
			XX



ISO VIEW

STA 435  
UNIT 004  
WEIGHT : 3.8 #

16153-1435-244-1-004

External Company	VOLVO		
External Specification	EXTERNAL SPECIFICATION		
Material	MATERIAL		
Surface Treatment	SURFACE TREATMENT		
DSM Number	DSM_NUMBER		
Symbolic designations and general drawing method STD 101-0005			
Tolerance unless otherwise stated ISO 2768-m Sharp edges broken when function allows			
Drawn by	Date	Scale	First
JET	20/10/2023	1:1	A0
Approved	Date	Projection	Request reference
XX	XX	1st angle	REQ_REF
The copying, distribution and utilization of this document as well as the completion of its contents to generate a third document without the express authorization of Volvo will be held liable for reasons of damage. All rights reserved in the event of the present or a future, all rights reserved by Volvo Group.			
Document title		SUB SIDEBODY	
Door to body install fixture		DOOR TO BODY INSTALL FIXTURE	
XXXXXX		XXXXXX	
Document type			
=			
Supplier document prefix			
XX			
Document no		Version	Sheet No
=2V14=V01GM3		01	1/1