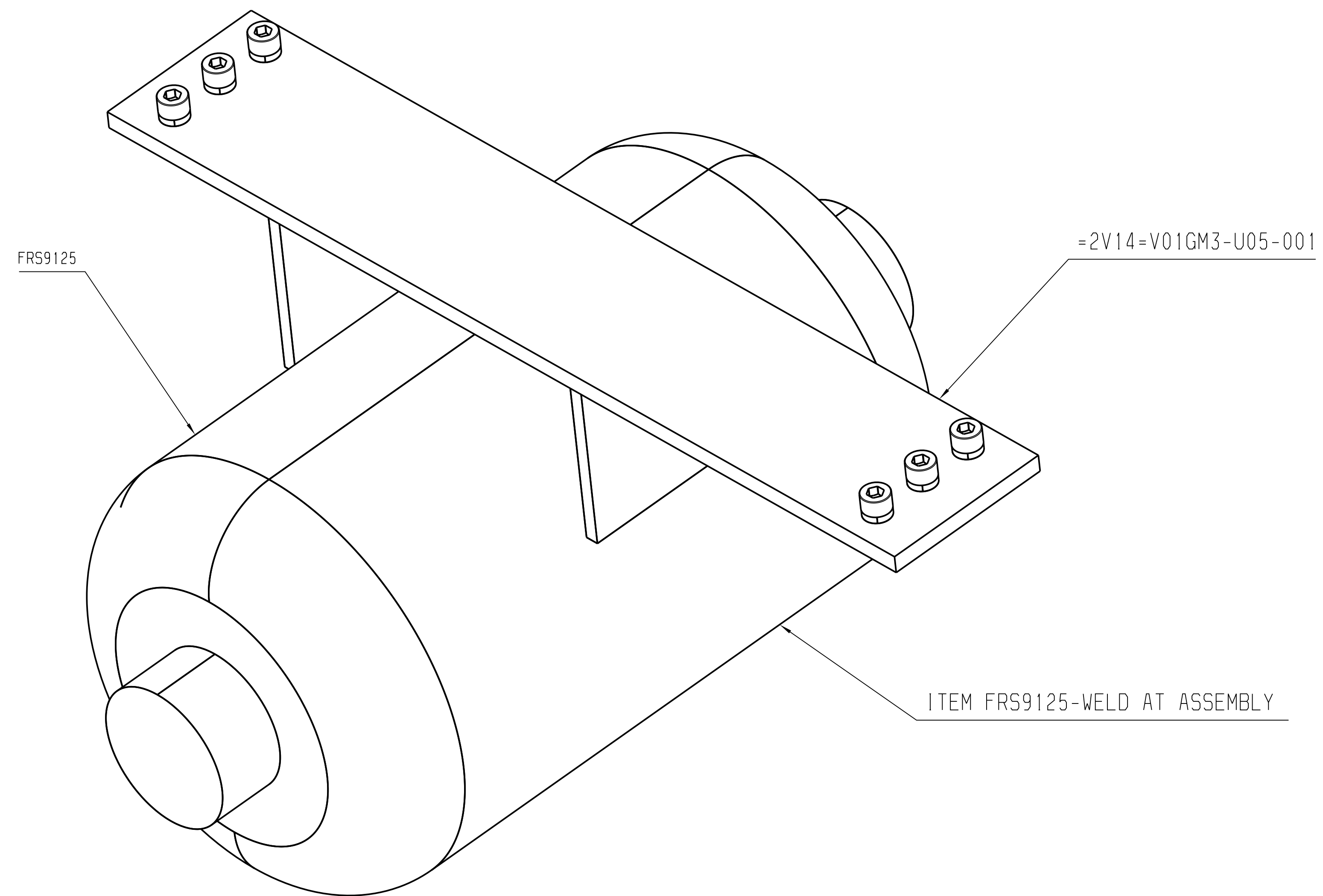


4	3	2	1
Engineering Release Location	Change description	Subject	Doc. release status
XX	XX	XXX-XX-XX	DOC_REL_STATUS
ERN	XX	XX	Date: XXXX-XX-XX



ISO VIEW

STA 435
UNIT 005
WEIGHT : 2.38#

16153-1435-244-1-005

External Company	VOLVO		
External Specification	EXTERNAL SPECIFICATION		
Material	MATERIAL		
Surface Treatment	SURFACE TREATMENT		
DSM Number	DSM_NUMBER		
Symbols, designations and general drawing method STD 101-0005			
Tolerance unless otherwise stated ISO 2768-m Sharp edges broken when function allows			
Drawn by	Date	Scale	Proj.
JET	20/10/2023	1:1	A0
Approved	Date	Projection	Request reference
XX	XX	REQ_REF	REQ_REF
The copying, distribution and utilization of this document as well as the compilation of its contents to generate a third document without the express authorization of Volvo is prohibited. All rights reserved in the event of a patent, will be the responsibility of the originator.			
Document title		SUB SIDEBODY DOOR TO BODY INSTALL FIXTURE	
Document No		XXXXXXX	
Volvo		Document type	
=2V14=V01GM3		Doc. name/Document prefix	
XX		Version	
=2V14=V01GM3		Sheet No	
		01 / 1	