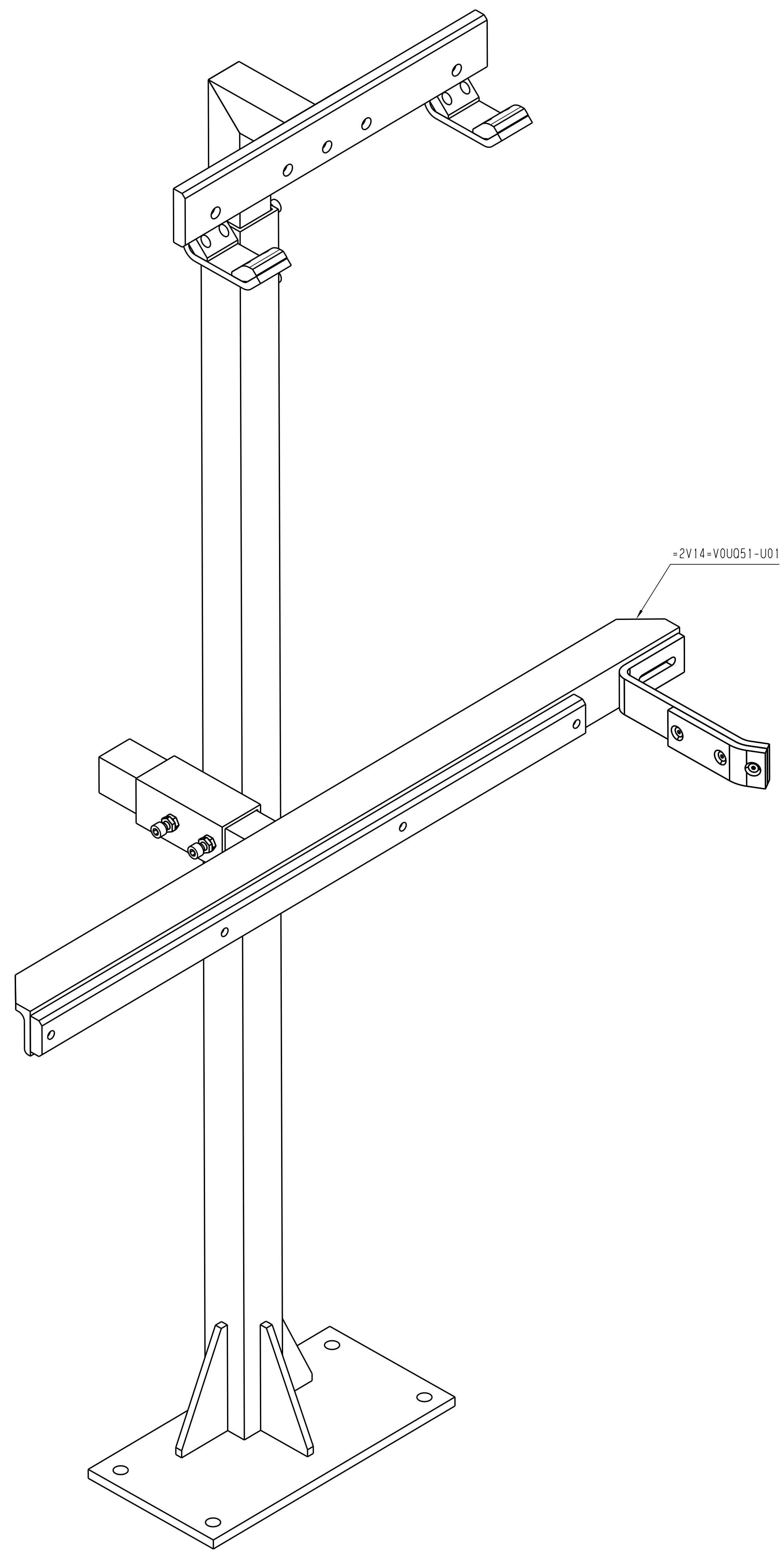


| Engineering Release Notice | Location | Change description | Author | Checked | Version | Document release status |
|----------------------------|----------|--------------------|--------|---------|---------|---|
| ERN | XX | XX | | | | DOC_REL_STATUS Date: XXXX-XX-XX Specification count: XX |



ISO VIEW

STA 435
KEY SHEET
WEIGHT :

16153-1435-704-1

| | | | |
|--|------------------------|---------------|-------------------|
| External Company | VOLVO | | |
| External Specification | EXTERNAL SPECIFICATION | | |
| Material | MATERIAL | | |
| Surface Treatment | SURFACE TREATMENT | | |
| DSM Number | DSM_NUMBER | | |
| Symbolic designations and general drawing method STD 101-0005 | | | |
| Tolerance unless otherwise stated ISO 2768-m Sharp edges broken when function allows | | | |
| Drawn by | Date | Scale | First |
| JET | 27/11/2023 | 1:3 | A0 |
| Approved | Date | Projection | Request reference |
| XX | XX | 1st angle | REQ_REF |
| The copying, distribution and utilization of this document as well as the communication of its contents to third parties without express authorization is prohibited. If damage is caused in the event of a defect, all liability rests with the original design registration. | | | |
| Document title | | SUB SIDE BODY | |
| Document no | | DOOR STAND | |
| Version | | XXXXXXXX | |
| Document no | | =2V14=V01U05 | |
| Version | | 01 | |
| Sheet no | | 1/1 | |
| Volvo Truck Corporation | | | |