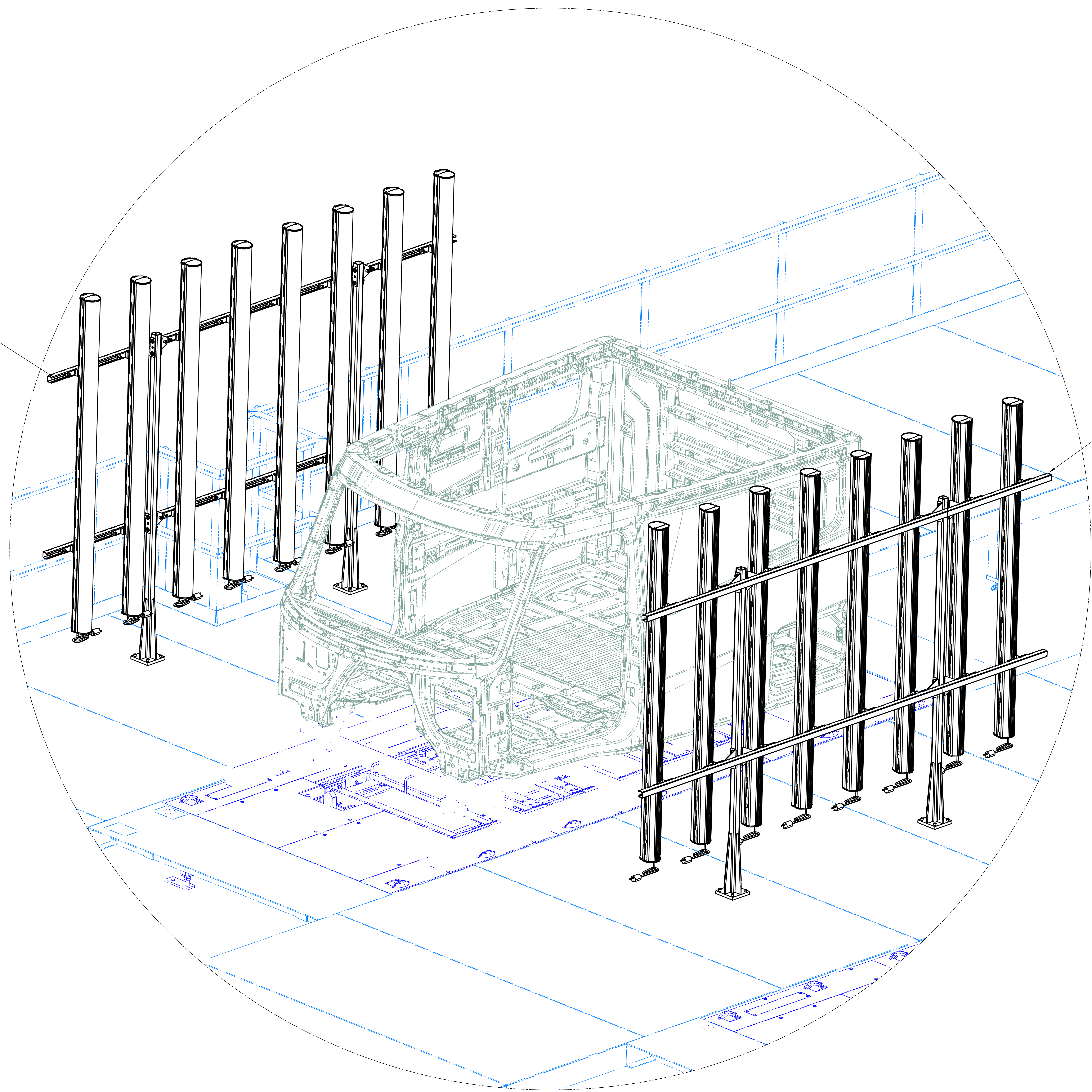


=2V15-V01U051_U01_01

=2V15-V01U051_U01_01



STA 475
KEYSHEET

External Company	VOLVO		
External Specification	EXTERNAL SPECIFICATION		
Material	MATERIAL		
Surface Treatment	SURFACE TREATMENT		
DSM Number	DSM_NUMBER		
Symbols, designations and general drawing method STD 101-0005			
Tolerance unless otherwise stated ISO 2768-m Sharp edges broken when function allows			
Drawn by	Date	Scale	Proj.
VALIANT	13/02/2024	NONE	A0
Approved	Date	Projection	Request reference
VALIANT	13/02/2024	1st	REQ_REF
The copying, distribution and utilization of this document is prohibited without the consent of the Volvo Group. All rights reserved in the event of a patent, utility model or industrial design registration.		Document title	
		LIGHT INSPECTION	
		2V15-V01U051	
		NF-475-L11	
		Document type	
		-	
		Owner: document prefix	
		-	
VOLVO Volvo Truck Corporation		Document No	Version
		=2V15-V01U051	01
		Sheet No	1/2

16175-1475-825-1