

eOT Series Enclosed Manual Motor Controllers

Catalog number: eOT16_, eOT25_, eOT32_, eOT45_, eOT63_

1SCC340019M0202

Document no. 34 EOT 16-63 M/S B

Installation and maintenance instructions

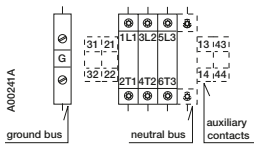
Applications

The eOT series enclosed manual motor controllers are rotary operated, 3 or 4 pole, 600V Heavy Duty switches, housed in metallic enclosures. Available in UL environmental ratings Type 1, Type 3R & 12 with selector and pistol grip handles and in Type 4X with pistol grip handles. Products are properly installed on the load side of a branch circuit protective device and are marked "Suitable as Motor Disconnect".

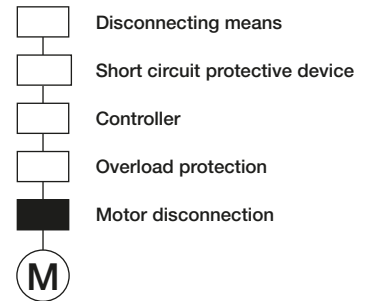
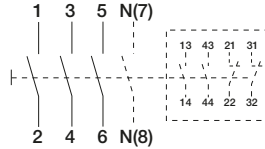
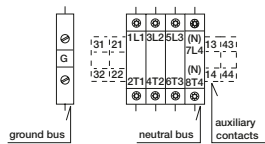
WARNING

To avoid hazard of electric shock, turn off and lock out all power sources before installing or performing maintenance on this equipment.

eOT16-63 Non-Fused
Disconnect up to 600 VAC 3ø



eOT16-63 Non-Fused
Disconnect up to 600 VAC 3ø
+ neutral pole



Ratings

P/N	AMPS	VAC	200V	208V	240V	480V	600V
eOT16_	16A	HP	3	3	5	10	10
eOT25_	25A	HP	7.5	7.5	7.5	15	20
eOT32_	40A	HP	10	10	10	10	10
eOT45_	60A	HP	15	15	15	30	30
eOT63_	80A	HP	20	20	20	40	40

Wire connections

eOT16-32:

Switch wire range: #18-8 AWG, 60-75 °C, Cu only, solid or stranded
Torque: 7 lbs/in, use Pozi-drive #2 or flat blade screwdriver

eOT45-63:

Switch wire range: #14-4 AWG, 60-75 °C, Cu only, solid or stranded
Torque: 18 lbs/in, use Pozi-drive #2 or flat blade screwdriver

Auxiliary contacts, 10A, 600V, A600-R300

Switch wire range: #18-14 AWG, 60-75 °C, Cu only, solid or stranded
Torque: 7 lbs/in, use Pozi-drive #2 or flat blade screwdriver

Optional Power Poles

eOT16-32:

OTPS40FPN2 4th pole
OTPN40FP Solid neutral pole

eOT45-63:

OTPS80FP 4th pole
OTPN80FP Solid neutral pole

Optional Auxiliary contacts

OA1G10 (1 N.O.) Install on right side of switch. Max. 2 pcs on 3-pole switch, 1 pcs on 4-pole switch (eOT16-32)
OA1G01 (1 N.C.) Install on left side of switch. Max. 2 pcs.



Installation

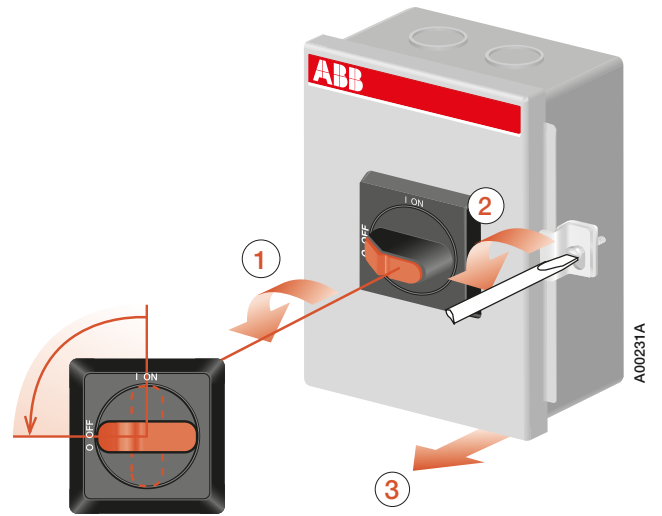
Operate switch to the OFF position and loosen the lock. Open the enclosure.

eOT16-32

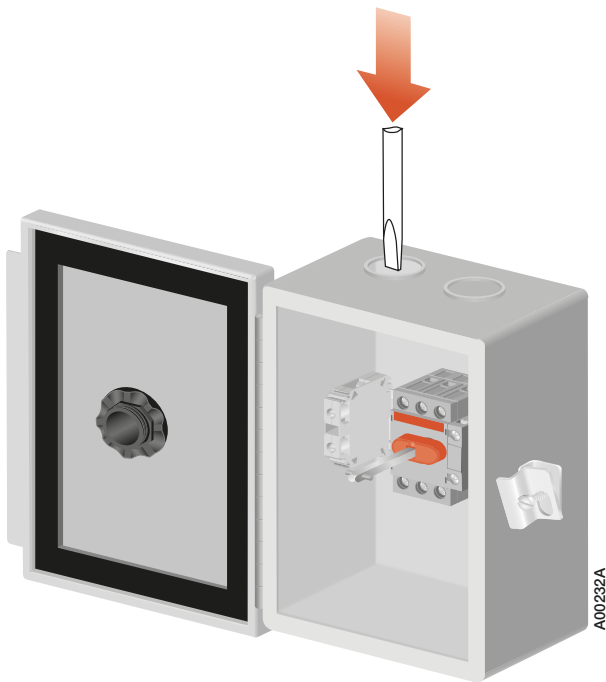
Two concentric 1/2" & 3/4" K.O.s are provided in the top and bottom of the enclosure of Type 1. Type 3R & 12 and Type 4X not equipped with K.O.s.

eOT45-63

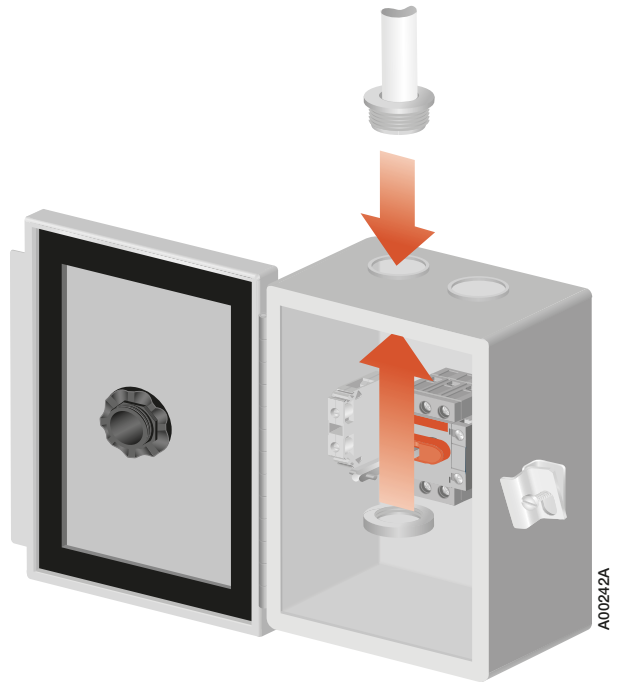
Two concentric 1/2" & 3/4" and one concentric 3/4" & 1" K.O.s are provided in the top and bottom of the enclosure of Type 1. Type 3R & 12 and Type 4X not equipped with K.O.s.



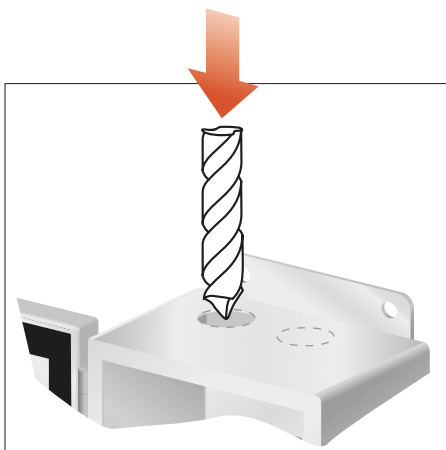
A00231A



A00232A



A00242A



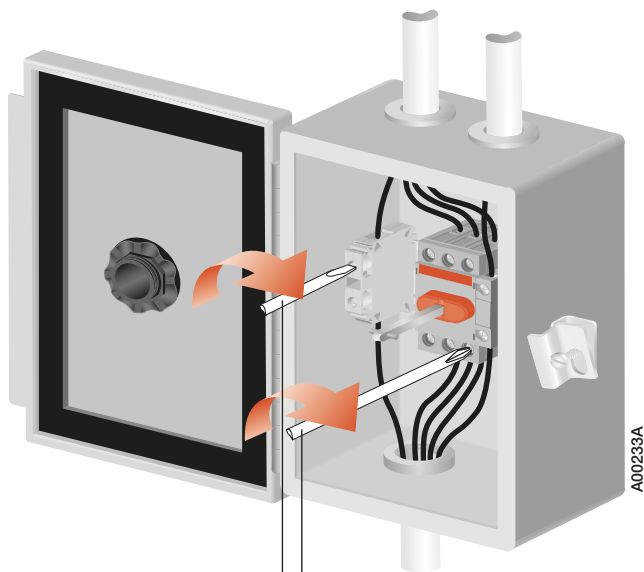
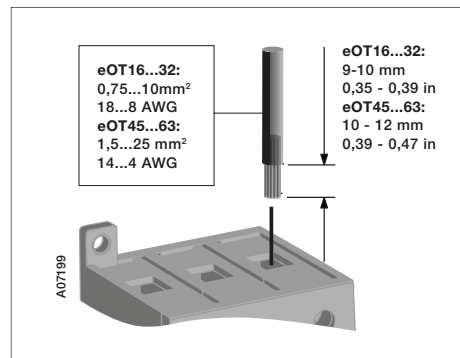
A00243A

Drill proper holes for conduit hubs or use K.O.s. Protect switch from drilling debris. Install conduit hubs. Install enclosure using (4) 1/4" or M6 screws.

Wiring

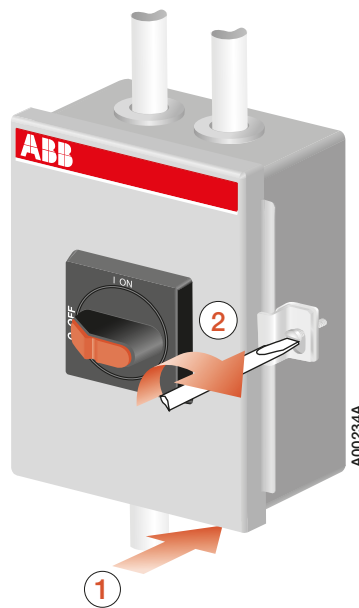
Connect power wires to switch terminals and attach ground wire to the ground terminal block inside the enclosure. Reference the National Electric Code and all local codes for appropriate wire size and grounding requirements.

Close the enclosure door, note that both the switch and the operating handle on the door must be in the OFF-position. Tighten the lock's screw.



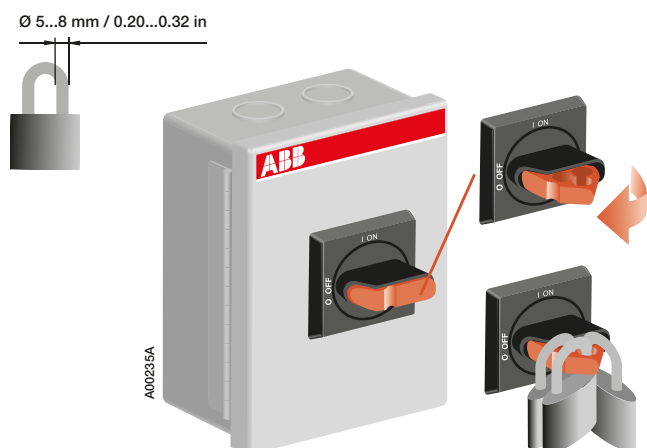
Ground terminal block:
Torque 7 lbs/in

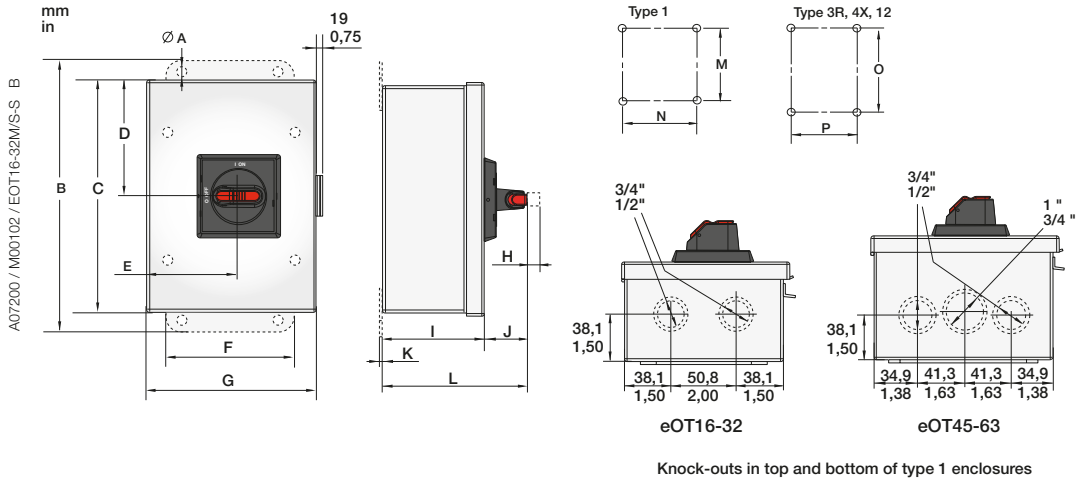
Pozi-drive #2 or flat blade screwdriver
eOT16-32: Torque 7 lbs/in
eOT45-63: Torque 18 lbs/in
Auxiliary contacts: Torque 7 lbs/in



Operating handle

Operating handle may be padlocked in the OFF-position with up to three padlocks. When locked, the enclosure door is interlocked and can not be opened. All padlocks must be removed to gain entry to the enclosure.



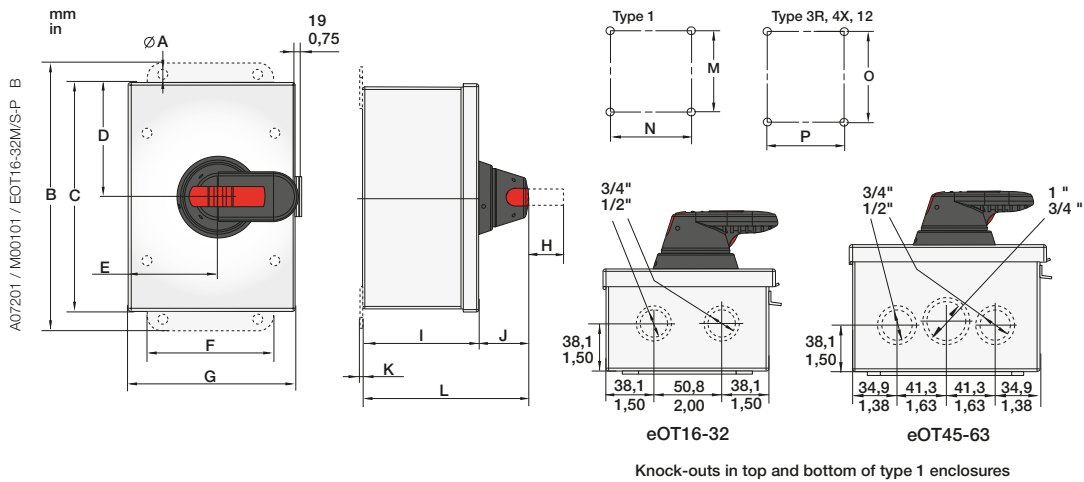


eOT16-32

Dimension [mm/in]															
A	B	C	D	E	F	G	H	I	J	K	L	M	N	O	P
7,9/0,31	215,9/8,50	183,4/7,22	91,7/3,61	73,7/2,90	101,6/4,00	134,1/5,28	19,0/0,75	83,3/3,28	35,5/1,36	2,8/0,11	117,9/4,64	101,6/4,0	101,6/4,0	196,9/7,75	76,2/3,00

eOT45-63

Dimension [mm/in]															
A	B	C	D	E	F	G	H	I	J	K	L	M	N	O	P
7,9/0,31	241,3/9,50	208,8/8,22	104,4/4,11	86,1/3,39	127,0/5,00	159,5/6,28	19,0/0,75	108,7/4,28	34,5/1,36	2,8/0,11	143,3/5,64	127,0/5,0	127,0/5,0	222,3/8,75	101,6/4,00



eOT16-32

Dimension [mm/in]																
Handle code	A	B	C	D	E	F	G	H	I	J	K	L	M	N	O	P
-P	7,9/0,31	215,9/8,50	183,4/7,22	91,7/3,61	73,7/2,90	101,6/4,00	134,1/5,28	36,6/1,42	83,3/3,28	45,0/1,77	2,8/0,11	128,3/5,05	101,6/4,0	101,6/4,0	196,9/7,75	76,2/3,00
-M	7,9/0,31	215,9/8,50	183,4/7,22	91,7/3,61	73,7/2,90	101,6/4,00	134,1/5,28	36,6/1,42	83,3/3,28	52,0/2,05	2,8/0,11	135,5/5,33	101,6/4,0	101,6/4,0	196,9/7,75	76,2/3,00

eOT45-63

Dimension [mm/in]																
Handle code	A	B	C	D	E	F	G	H	I	J	K	L	M	N	O	P
-P	7,9/0,31	241,3/9,50	208,8/8,22	104,4/4,11	86,1/3,39	127,0/5,00	159,5/6,28	36,0/1,42	108,7/4,28	45,0/1,77	2,8/0,11	153,7/6,05	127,0/5,0	127,0/5,0	222,3/8,75	101,6/4,00
-M	7,9/0,31	241,3/9,50	208,8/8,22	104,4/4,11	86,1/3,39	127,0/5,00	159,5/6,28	36,0/1,42	108,7/4,28	52,0/2,05	2,8/0,11	160,7/6,32	127,0/5,0	127,0/5,0	222,3/8,75	101,6/4,00

ABB Inc. / USA

16250 W. Glendale Drive
New Berlin, WI 53151

www.abb.com/us

ABB Inc. / CANADA

2117, 32nd Avenue
Lachine, QC H8T 3J1

www.abb.com/ca

