

SAFETY PRODUCTS

# Safety relays

## Sentry BSR10

### Product Manual



## **Read and understand this document**

Please read and understand this document before using the products. Please consult your ABB Electrification Sweden representative if you have any questions or comments.

## **Suitability for use**

ABB shall not be responsible for conformity with any standards, codes, or regulations that apply to the combination of products in the customer's application or use of the product. Third party certificates for the products are available at <https://new.abb.com/low-voltage/products/safety-products>. This information by itself is not sufficient for a complete determination of the suitability of the products in combination with the end product, machine, system, or other application or use.

The following are some examples of applications for which particular attention must be given. This is not intended to be an exhaustive list of all possible uses of the products, nor is it intended to imply that the uses listed may be suitable for the products:

- Outdoor use uses involving potential chemical contamination or electrical interference, or conditions or uses not described in this document.
- Nuclear energy control systems, combustion systems, railroad systems, aviation systems, medical equipment, amusement machines, vehicles, and installations subject to separate industry or government regulations.
- Systems, machines, and equipment that could present a risk to life or property.

Please know and observe all prohibitions of use applicable to the products.

**NEVER USE THE PRODUCTS FOR AN APPLICATION INVOLVING SERIOUS RISK TO LIFE OR PROPERTY WITHOUT ENSURING THAT THE SYSTEM AS A WHOLE HAS BEEN DESIGNED TO ADDRESS THE RISKS, AND THAT THE ABB PRODUCT IS PROPERLY RATED AND INSTALLED FOR THE INTENDED USE WITHIN THE OVERALL EQUIPMENT OR SYSTEM.**

Descriptions and examples show how the product works and can be used. It does not mean that it fulfills the requirements for all types of machines and processes. The buyer/user is responsible for installing and using the product according to applicable standards and regulations. We reserve the right to make changes to the product and the documentation without prior notice

# Table of Contents

<b>1</b>	<b>Introduction</b>	<b>5</b>
1.1	Purpose of document	5
1.2	Intended audience	5
1.3	Reading prerequisites	5
1.4	Special notes	5
<b>2</b>	<b>Safety</b>	<b>6</b>
2.1	Intended use	6
2.2	Safety precautions	6
<b>3</b>	<b>Product description</b>	<b>7</b>
3.1	Sentry safety relays	7
3.2	Sentry product range	7
3.3	Safety relay overview	8
<b>4</b>	<b>Installation</b>	<b>9</b>
4.1	Installing precautions	9
4.2	Attaching the safety relay on the DIN rail	9
4.3	Removing the safety relay from the DIN rail	10
4.4	Resetting the latching device	10
4.5	Connecting precautions	11
4.6	Connection blocks	11
4.7	Coding the connection blocks	11
4.8	Connecting to a screw compression type terminal	12
4.9	Connecting to a push-in type terminal	12
4.10	Wire properties	12
4.11	Wire length	12
<b>5</b>	<b>Functions</b>	<b>13</b>
5.1	Function overview	13
5.2	Power supply	13
5.3	Relay outputs	13
5.4	Test, start and reset interface	14
5.5	Test and start	14
<b>6</b>	<b>Connections</b>	<b>15</b>
6.1	Connection groups	15
<b>7</b>	<b>Application connections</b>	<b>16</b>
7.1	Connection examples	16
<b>8</b>	<b>Maintenance</b>	<b>17</b>
8.1	Maintaining precautions	17
8.2	Scheduled test	17
<b>9</b>	<b>Troubleshooting</b>	<b>18</b>
9.1	Front LEDs	18

9.2	LED operation indication and error status.....	18
<b>10</b>	<b>Model overview .....</b>	<b>20</b>
10.1	Sentry models.....	20
10.2	Accessories and spare parts .....	21
<b>11</b>	<b>Dimensions .....</b>	<b>22</b>
11.1	Sentry .....	22
<b>12</b>	<b>Technical data .....</b>	<b>23</b>
12.1	Technical data .....	23
<b>13</b>	<b>Declaration of conformity .....</b>	<b>28</b>

# 1 Introduction

## 1.1 Purpose of document

The purpose of this document is to describe the functions and to provide instructions for installation, operation, maintenance and troubleshooting of the product.

## 1.2 Intended audience

This document is intended for authorized personnel.

## 1.3 Reading prerequisites

It is assumed that the reader of this document has:

- Basic knowledge of ABB safety products.
- Knowledge of machine safety.
- Knowledge of safety devices.

## 1.4 Special notes

Pay attention to special notes in this document:



### **Warning!**

Risk of severe personal injury!

An instruction or procedure which, if not carried out correctly, may result in injury to the technician or other personnel.



### **Caution!**

Risk of damage to the equipment!

An instruction or procedure which, if not carried out correctly, may damage the equipment.



### **Note!**

Important or explanatory information.


## 2 Safety


### 2.1 Intended use

The intended use of the Sentry safety relay is to monitor the state of a safety device and depending on the state, activate or inactivate the outputs within the system response time. The protective function of the safety device is only safe if the safety relay is correctly connected and configured. The safety relay is not by itself a complete protective device.

- Use the safety relay as a safety monitoring device.
- Use the safety relay as expansion device of safe outputs
- The safety relay is not intended for use in explosive or easily flammable adjacent air.
- Other use than defined as correct is considered as incorrect use.

### 2.2 Safety precautions

 **Warning!** The safety precautions must be followed during installation, operation, maintenance and troubleshooting.

 **Warning!** The safety functions must be tested at start up or at replacement before the system is put in operation.

Installation shall be conducted by authorized personnel following the Safety regulations, standards and local legal regulations. Carefully read through the entire original instruction before using the device.

Make sure that these instructions are included together with the documentation of the system. Make sure that these instructions always are available for users of the system.

The safety relay must be selected so its safety related capacity meets or exceed the performance level (PL) or safety integrity level (SIL) that has been estimated in the risk analysis. The safety relay must only be used after it has been selected according to related instructions, relevant standards, rules and regulations for protection and safety at work.

The entire dangerous zone must be visible from the position where the reset button is installed. The reset button must be positioned out of reach from the dangerous zone.

The safety functions must be tested after installation or replacement of components or cables. The safety relay must be exchanged within 20 years.

Failure to comply with instructions, operation that is not in accordance with the use prescribed in the instructions, improper installation or handling can affect the safety of people and the system. Failure to comply with the instructions or standards, excludes any liability.

## 3 Product description

### 3.1 Sentry safety relays

Sentry safety relays provide safe stop and start of monitored devices to prevent errors. The following safety device types are applicable for the Sentry safety relays:

- 1 channel safety device.
- 2 channel safety device with equivalent contacts.
- 2 channel safety device with antivalent contacts.
- Expansion of safety modules.
- Pressure sensitive safety device (short-circuit detection).
- Two-hand safety device.
- OSSD safety device.

Examples of devices for connection to the Sentry safety relays:

- Light beams.
- Light curtains.
- Three position safety device.
- Safety interlock switches.
- Emergency stop buttons.
- Bumpers, contact edges and safety mats.

### 3.2 Sentry product range

The Sentry product range has the following groups of safety relays:

#### **BSR (Basic function Safety Relay) group**

The BSR group include BSR10, BSR11 and BSR23. The safety relays have basic monitoring functions for 1- and 2-channel safety devices. The safety relay can be used as an expansion of other safety modules.

#### **SSR (Single function Safety Relay) group**

The SSR group includes SSR10, SSR10M, SSR20, SSR20M, SSR32 and SSR42. The safety relays have single safety device functions and limited configuration possibilities for automatic and manual reset. SSR32 and SSR42 have a timer function.

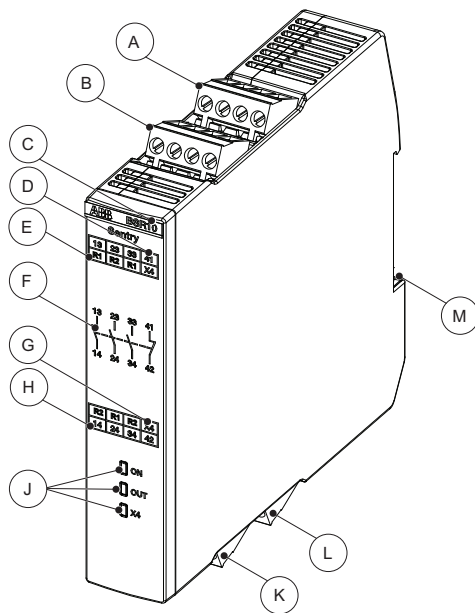
#### **TSR (Timer function Safety Relay) group**

The TSR group includes TSR10, TSR20 and TSR20M. The safety relays have timer functions and configuration possibilities. TSR10 is fully configurable with preset selection possibilities and password protection.

#### **USR (Universal function Safety Relay) group**

The USR group include USR10 and USR22. The safety relays have multiple functionalities for monitoring safety device including timer functions. The USR group is fully configurable with preset selection possibilities and password protection.

### 3.3 Safety relay overview



- A. Connection block, top side back.
- B. Connection block, top side front.
- C. Product name.
- D. Print for connection block, top side back.
- E. Print for connection block, bottom side front.
- F. Relay output configuration.
- G. Print for connection block, top side front.
- H. Print for connection block, bottom side back.
- J. LEDs for status indication.
- K. Connection block, bottom side front.
- L. Connection block, bottom side back.
- M. DIN rail latching device.




## 4 Installation

### 4.1 Installing precautions

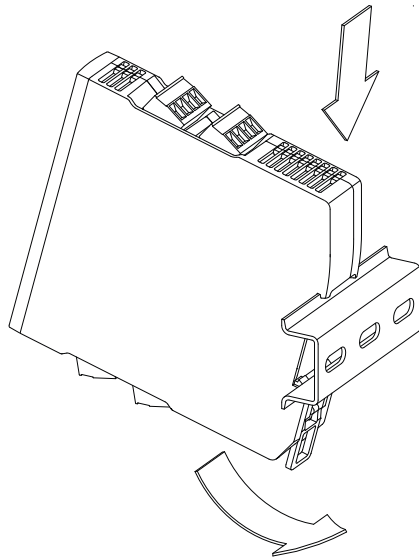
Follow the instructions carefully to avoid personal injury or damage to the device.

The safety relay shall be attached on a 35 mm DIN rail in a lockable enclosure that has at least protection class IP54. Sentry safety relays shall be installed in an upright position.

Make sure there is at least 10 mm distance between the safety relay and other non-Sentry units to prevent uncontrolled heating. Make sure there is at least 50 mm distance above and below the safety relay and other units for correct air flow in the venting holes of the safety relay.

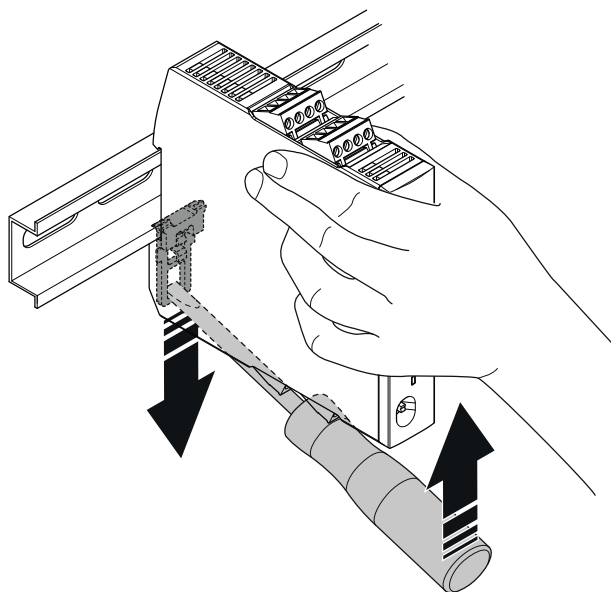
-  **Caution!** Sentry safety relays can be installed without distance to other Sentry safety relays, with exception of BSR23. Make sure there is at least 5 mm distance between BSR23 and other Sentry safety relays

### 4.2 Attaching the safety relay on the DIN rail



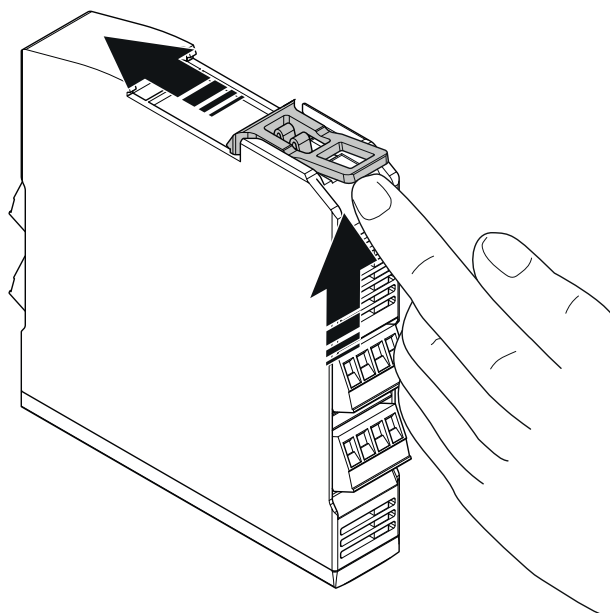
1. Make sure that the DIN rail latching is reset.
2. Hang the top rear side of the safety relay on the DIN rail.
3. Push the bottom rear side of the safety relay on the DIN rail until a click is heard.

### 4.3 Removing the safety relay from the DIN rail



1. Use a screwdriver to unlock the DIN relay latching device from the DIN rail.
2. Pull the bottom rear side of the safety relay away from the DIN rail until a click is heard.
3. Lift the top rear side of the safety relay away from the DIN rail.

### 4.4 Resetting the latching device



- Pull the bottom side of the DIN rail latching device from the safety relay and push it upwards to release it to its original position.

## 4.5 Connecting precautions

**⚠ Warning!** Disconnect the power supply before attaching or removing the connection blocks.

Make sure that connection blocks and wires are clearly marked for correct connections. Use applicable requirements in IEC 60204-1 for wire connections. Make sure that the wires are fitted with crimp terminals or ferrules before connection, unless solid copper conductors are used.

For connections of relay output contacts: Make sure that all power supplies or signal sources are connected to one side of the safety relay and that all power consumers or signal receivers are connected to the opposite side of the safety relay.

Make sure to use at least one of the following methods to ensure correct wire protection against short circuits for the safety relay outputs:

- The wires are permanently connected and protected against external damage, for example by wire ducts or other types of covers for protection.
- Use of separate multi-core wires.
- Use of cables with wires being individually shielded with earth connection.

The safety requirement is that fuses shall be used on the relay outputs.

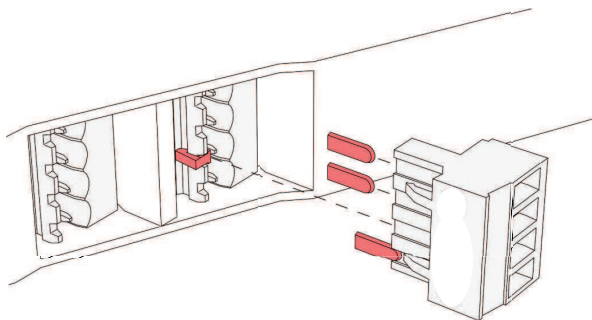
## 4.6 Connection blocks

The connection blocks on the safety relay are detachable to simplify installation and replacement. The safety relay can be ordered with two different types of connection blocks, screw compression type or push-in type.

## 4.7 Coding the connection blocks

The coding kit is used to make each connection point individual to avoid faulty connection. Place the coding parts in an specific order on the connection block and match these with the pin header.

- The risk assessment must include the risk of mistakes when using the connection blocks without coding.
- If coding is used, a test of the outcome of the coding against the identified risks must be done.



## 4.8 Connecting to a screw compression type terminal

Use a screwdriver with slot size 3,5 mm.

1. Open the terminal before inserting a wire.
2. Insert the wire in the correct terminal.
3. Close the terminal and secure the wire with torque 0,7 Nm  $\pm$ 0,1.

## 4.9 Connecting to a push-in type terminal

1. Press the actuating lever.
2. Insert the wire in the correct terminal.
3. Release the actuating lever.

## 4.10 Wire properties

### Wire area, screw compression type connection block

Wire with crimp sleeve, ferrule or single solid conductor. Two wires with the same area must be used. Wire strip length 6,5 mm  $\pm$ 0,5.

Minimum 1x24 AWG and Maximum 1x12 AWG

Minimum 1x0,2 mm<sup>2</sup> and Maximum 1x3,3 mm<sup>2</sup>

Minimum 2x24 AWG and Maximum 2x16 AWG

Minimum 2x0,2 mm<sup>2</sup> and Maximum 2x1,5 mm<sup>2</sup>

### Wire area, push-in type connection block

Wire with crimp sleeve, ferrule or single solid conductor. Two wires with the same area must be used. Wire strip length 6,5 mm  $\pm$ 0,5.

Minimum 1x24 AWG and Maximum 1x14 AWG

Minimum 1x0,2 mm<sup>2</sup> and Maximum 1x2,5 mm<sup>2</sup>

Minimum 2x24 AWG and Maximum 2x16 AWG

Minimum 2x0,25 mm<sup>2</sup> and Maximum 2x1,5 mm<sup>2</sup>

## 4.11 Wire length

The maximum wire length is dependent on the wire voltage drop from the voltage source to the safety relay input terminal. It is crucial to fulfill "Minimum input high voltage (VIHmin)" requirement at "Maximum current sink (Isink)". Isink is typical 2.8/VR where VR is the voltage level measured at the R input terminal. Consult the section for technical data for technical characteristics.

# 5 Functions

## 5.1 Function overview

Power supply, 24 VDC via safety device

Relay output

- 3 NO + 1 NC
- One channel
- Two channels with equivalent contacts (no 2 channel monitoring)
- Expansion of PLC outputs

Test, start and reset interface

- Test and start

## 5.2 Power supply

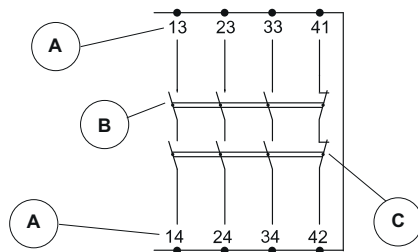
24 VDC via safety device

The safety relay and the safety devices are supplied with 24 VDC and common shared ground.

**⚠ Warning!** The power supply must be of type PELV/SELV

## 5.3 Relay outputs

The safety relay output contacts are opened or closed based on the signals from the safety device. Each safety relay output has two contacts in series, one contact for each internal output relay.



- A. **Connectors:** Terminals in connection blocks.
- B. **NO contact:** The NO contact is open when the relay is inactivated and closed when the relay is activated.
- C. **NC contact:** The NC contact is closed when the relay is inactivated and open when the relay is activated.

**⚠ Caution!** A relay output is in safe state when the contact is open.

**⚠ Caution!** The NC contact is intended to monitor the state of a safety device only. It is not a safe output.

**i Note!** The NO contact is open at all types of internal failures and is a safe output.

**i** **Note!**

Arc suppression for inductive loads is recommended to get a longer lifetime for the relay contacts.

## **5.4 Test, start and reset interface**

The safety relay has an interface for test, start and reset functions. The safety relay enters inactive mode when at least one input is not accepted. The safety relay enters active mode when the inputs are accepted, and a reset is performed.

## **5.5 Test and start**

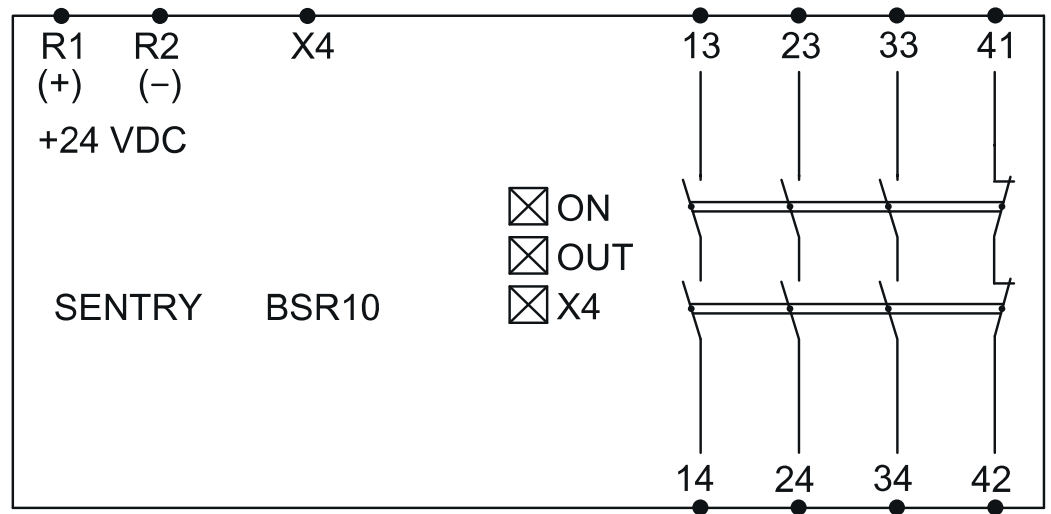
The safety relay has a Test/Start connection, the X4 input can be connected either directly to +24 VDC or to a test circuit for supervised contactors and/or a button for Start.

The relay output will turn active if X4 is set to +24 VDC while it is powered via R1/R2. After activation, X4 can be removed and the active state will be kept solely by R1/R2.

The safety relay can be used as a safe expansion relay without external monitoring since the internal output relays are monitored by the unit itself.

# 6 Connections

## 6.1 Connection groups

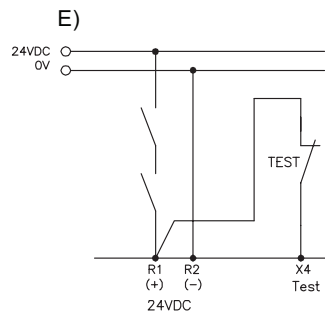
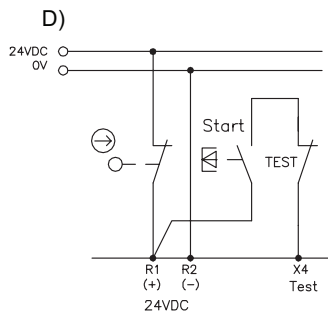
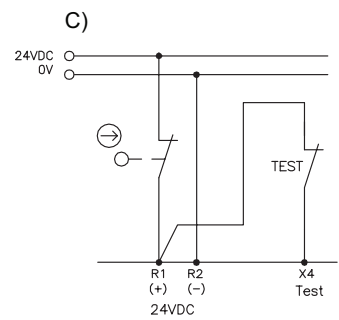
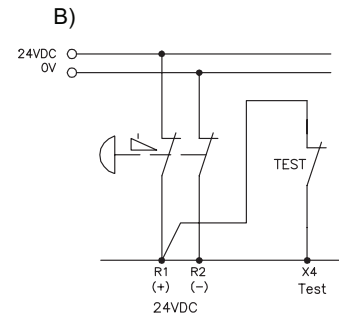
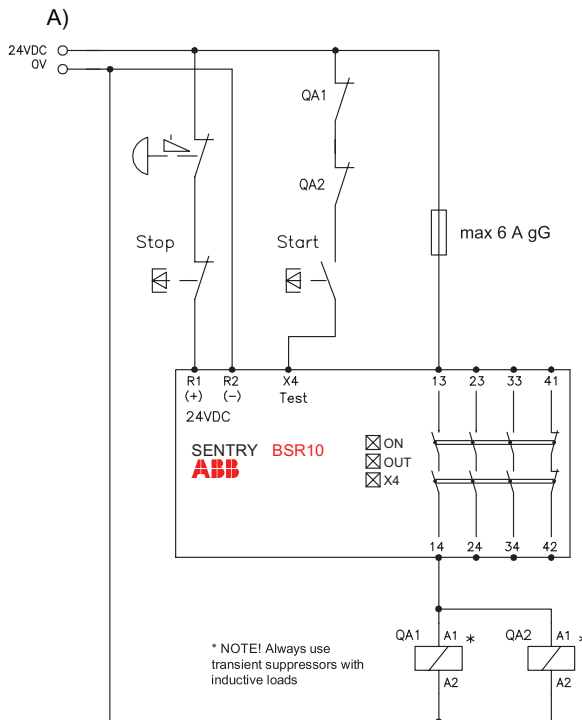


The connections are divided into groups.

- R            Signal from safety device
- X            Test/reset/start/indication
- 13, 23, 33    Safety output, NO
- 14, 24, 34    Safety output, NO
- 41            Output, NC
- 42            Output, NC

# 7 Application connections

## 7.1 Connection examples



- A. One signal from +24VDC, start and stop
- B. Two signals from +24VDC / 0
- C. One signal from +24VDC
- D. One signal from +24VDC, start
- E. One signal from +24VDC


**i Note!**

Always use transient suppressors when inductive loads are connected to the relay outputs.



# 8 Maintenance

## 8.1 Maintaining precautions

 **Warning!** Comply to maintenance precautions. Risk of severe personal injury.

A defective safety relay shall be replaced with a new. Never bypass the safety circuit. Repair and exchange of parts of the safety relay is forbidden. That may impair the safety of the system and could lead to serious personal injury. In case of breakdown or damage to the safety relay, contact nearest ABB Electrification service office or reseller.

ABB will not accept responsibility for failure of the functions if the installation and maintenance requirements shown in this document are not implemented. These requirements form part of the product warranty.

## 8.2 Scheduled test

### **Scheduled test, high demand application**

All safety relays and connected safety devices used in high demand applications must be tested once a year.

### **Scheduled test, low demand application**

All safety relays and connected safety devices used in low demand applications must be tested every third year.

### **Test sequence**

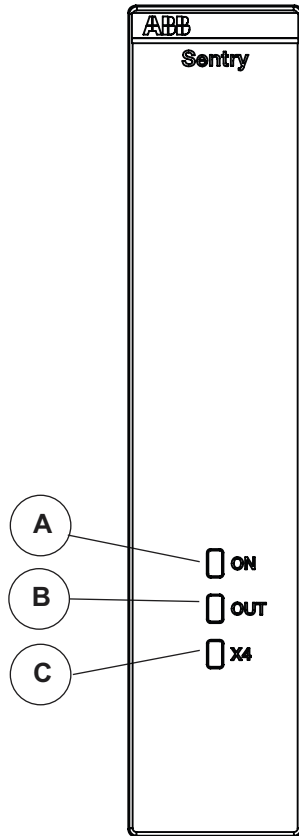
Test should be conducted according to:

1. Set inputs to inactivate outputs.
2. Wait until all outputs are in off-state.
3. Set inputs to activate outputs.
4. Monitor that outputs are activated.

# 9 Troubleshooting

## 9.1 Front LEDs

The three LEDs in the safety relay front indicates operation status and errors in the system.



- A. **ON** 24 V on R1/R2
- B. **OUT** Output status
- C. **X4** 24 V on X4/R2

## 9.2 LED operation indication and error status

ON	OUT	X4	Status	Action
off	off	off	Loss of power supply or too low voltage. Occurs during regular operation	Measure R1/R2 voltage
green	off	off	Input X4 is not powered with correct voltage. Occurs during regular operation	Measure X4/R2 voltage. Troubleshoot the monitored device. Troubleshoot the test/start circuit
green	off	green	Safety relay internal error	Exchange the safety relay
off	off	green	No signal to R1/R2. Occurs during regular operation	Measure R1/R2 voltage
green	green	green	Normal operation	

<b>ON</b>	<b>OUT</b>	<b>X4</b>	<b>Status</b>	<b>Action</b>
green	green	off	Normal operation	

# 10 Model overview

## 10.1 Sentry models

The connection blocks are delivered without coding. The coding kit is an optional accessory and is ordered separately.

Model	Order code	Description
BSR10	2TLA010040R0000	Screw compression connection blocks. 24VDC
BSR10P	2TLA010040R0001	Push-in connection blocks. 24VDC
BSR11	2TLA010040R0200	Screw compression connection blocks. 24VDC
BSR11P	2TLA010040R0201	Push-in connection blocks. 24VDC
BSR23	2TLA010041R0600	Screw compression connection blocks. 24VDC
BSR23P	2TLA010041R0601	Push-in connection blocks. 24VDC
SSR10	2TLA010050R0000	Screw compression connection blocks. 24VDC
SSR10P	2TLA010050R0001	Push-in connection blocks. 24VDC
SSR10M	2TLA010050R0100	Screw compression connection blocks. 85-265VAC/120-375VDC
SSR10MP	2TLA010050R0101	Push-in connection blocks. 85-265VAC/120-375VDC
SSR20	2TLA010051R0000	Screw compression connection blocks. 24VDC
SSR20P	2TLA010051R0001	Push-in connection blocks. 24VDC
SSR20M	2TLA010051R0100	Screw compression connection blocks. 85-265VAC/120-375VDC
SSR20MP	2TLA010051R0101	Push-in connection blocks. 85-265VAC/120-375VDC
SSR32	2TLA010052R0400	Screw compression connection blocks. 24VDC
SSR32P	2TLA010052R0401	Push-in connection blocks. 24VDC
SSR42	2TLA010053R0400	Screw compression connection blocks. 24VDC
SSR42P	2TLA010053R0401	Push-in connection blocks. 24VDC
TSR10	2TLA010060R0000	Screw compression connection blocks. 24VDC
TSR10P	2TLA010060R0001	Push-in connection blocks. 24VDC

<b>Model</b>	<b>Order code</b>	<b>Description</b>
TSR20	2TLA010061R0000	Screw compression connection blocks. 24VDC
TSR20P	2TLA010061R0001	Push-in connection blocks. 24VDC
TSR20M	2TLA010061R0100	Screw compression connection blocks. 85-265VAC/120-375VDC
TSR20MP	2TLA010061R0101	Push-in connection blocks. 85-265VAC/120-375VDC
USR10	2TLA010070R0000	Screw compression connection blocks. 24VDC
USR10P	2TLA010070R0001	Push-in connection blocks. 24VDC
USR22	2TLA010070R0400	Screw compression connection blocks. 24VDC
USR22P	2TLA010070R0401	Push-in connection blocks. 24VDC

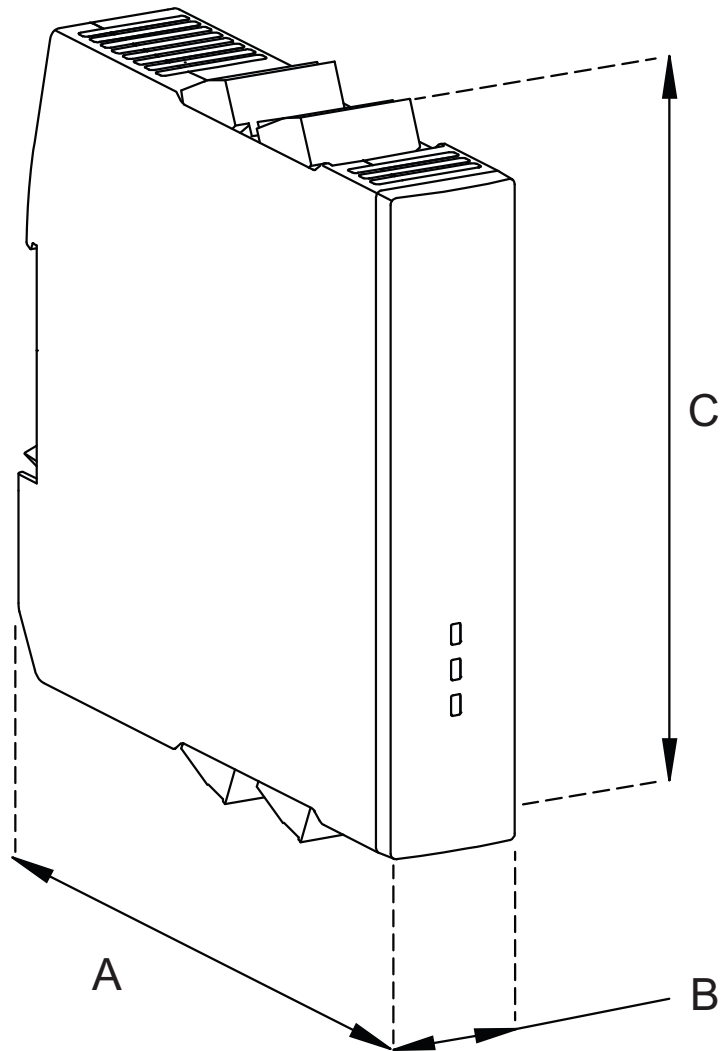
## 10.2 Accessories and spare parts

<b>Type</b>	<b>Order code</b>	<b>Description</b>
Connection block	2TLA010099R0000	Screw compression type
Connection block	2TLA010099R0001	Push-in type
Coding kit	2TLA010099R0100	For coding connection block

# 11 Dimensions

All dimensions are in mm.

## 11.1 Sentry



Measure	Connection block type	
	Screw connection type	Push-in type
A	120	120
B	22,5	22.5
C	120	123

# 12 Technical data

## 12.1 Technical data

### Manufacturer

ABB Electrification Sweden AB  
SE-721 61 Västerås  
Sweden

**Note!** While every effort has been taken to ensure the accuracy of the information contained in this document, ABB cannot accept responsibility for errors or omissions and reserves the right to make changes and improvements without notice. Performance data given in this document is provided as a guide for the user in determining suitability and does not constitute a warranty. It may represent the result of ABB's test conditions, and the users must correlate it to actual application requirements. Actual performance is subject to the ABB Warranty and Limitations of Liability.

**Note!** There may be working points that will lead to higher performance for a specific application. An example would be the combination of installation distance between products, total load current and ambient temperature.

**Caution!** The difference between absolute maximum rating and max operating rating is the following: The product will have full performance as long as all parameters are within operating rating, in any combination. If any of the values in Absolute maximum rating are exceeded, the relay must be disposed.

Absolute maximum rating	
Maximum voltage rating for R <sup>Note 2</sup>	30 VDC
Maximum voltage rating for X4 <sup>Note 2</sup>	30 VDC
Maximum operating breaking voltage for relay contacts	500 Vp
Maximum voltage rating for NO/NC contacts	265 VAC or 350 VDC
Maximum current rating for 1 NO relay contact	8 A
Maximum current rating for 1 NC relay contact	5 A
Maximum load capacity, $\Sigma I_{th}^2$ <sup>Note 1</sup>	$\leq 72^2$
<b>Note 1:</b> $\Sigma I_{th}^2$ is the sum of the square for each relay output contact. For example: $I_1 = 2_{ARMS}$ ; $I_2 = 4_{ARMS}$ ; $I_3 = 5_{ARMS}$ ; $I_4 = 1_{ARMS} \rightarrow \Sigma I_{th}^2 = 4 + 16 + 25 + 1 = 46^2$	
<b>Note 2:</b> Fault voltages up to 60 V is not dangerous but the safety relay might be broken or its performance might be degraded.	
Power supply	
Input signal type	PELV/SELV
Internal consumption	2W

**Note!** BSR10 is supplied with power through its signal input port R.

<b>Relay output specification</b>	
Relay output configuration	3 NO + 1 NC
Maximum operating switching voltage <sup>Note</sup>	250 VAC
Overvoltage category	II
Rated impulse withstand voltage	4 kV
Rated operational voltage	250 VAC
Minimum operating contact load	5 VDC / 10 mA (15 VDC / 3 mA)
Maximum operating switching frequency	0.5 Hz
Rated isolation voltage	400 V

**i Note!** In a 400 V system a 3 phase load shall only be used in a star connection.

#### **NO contact**

AC load (AC15, AC1)	Rated operating voltage (U <sub>e</sub> )	250 VAC
Rated operating current (I <sub>e</sub> )	1 contact	5A
	2 contacts	5A
	3 contacts	4.6A
DC load (DC13, DC1)	Rated operating voltage (U <sub>e</sub> )	+24 VDC
Rated operating current (I <sub>e</sub> )	1 contact	6A
	2 contacts	5.6A
	3 contacts	4.6A
Required fuse	6.3 A gG, >=1 kA short circuit protection (6 A according to UL248)	

#### **NC contact**

AC load (AC15, AC1)	Rated operational voltage (U <sub>e</sub> )	250 VAC
	Rated operational current (I <sub>e</sub> )	0.5A
DC load (DC13, DC1)	Rated operational voltage (U <sub>e</sub> )	+24 VDC
	Rated operational current (I <sub>e</sub> )	2A
Required fuse	4 A gG (4 A according to UL 248)	

#### **Safety device interface specification**

##### **Input (I) R1 and R2**

Maximum operating input voltage	27.6 VDC
Minimum input high voltage (V <sub>IH_min</sub> ) <sup>Note 1</sup>	15 VDC
Maximum input low voltage (V <sub>IL_max</sub> ) <sup>Note 2</sup>	1 VDC
Maximum current sink (I <sub>sink</sub> ) <sup>Note 3</sup>	200 mA

**Note 1:** Voltage level above V<sub>IH\_min</sub> is interpreted as logic “1”, in worst case operating conditions.

**Note 2:** Voltage level below V<sub>IL\_max</sub> is interpreted as logic “0”, in worst case operating conditions.

**Note 3:** If V<sub>IH</sub> ≥15 VDC is applied to R1 and R2 (I<sub>sink</sub> is typical 2.8/VDCR).

#### **Test/start/reset interface specification**

##### **Input/Output (I/O) X4**

Minimum input high voltage (V <sub>IH_min</sub> ) <sup>Note 1</sup>	15 VDC
Maximum input low voltage (V <sub>IL_max</sub> ) <sup>Note 2</sup>	2 VDC
Typical input impedance	0,5-3 kΩ
Maximum current sink (I <sub>sink</sub> )	55 mA



<b>Test/start/reset interface specification</b>		
<b>Note 1:</b> Voltage level above $V_{IH_{min}}$ is interpreted as logic "1", in worst case operating conditions.		
<b>Note 2:</b> Voltage level below $V_{IL_{max}}$ is interpreted as logic "0", in worst case operating conditions.		
<b>Response time</b>		
Response time at activation	Start	≤ 40 ms
Response time at inactivation		≤ 20 ms
<b>Electrical operations lifetime</b>		
Load $\Sigma I_{th}^2 \leq 64$	AC1, AC15	160 000 operations
	DC1, DC13	100 000 operations
Measurement conditions:		
<ul style="list-style-type: none"> <li>• Maximum breaking voltage for relay contacts: 250 V</li> <li>• Maximum switching voltage for relay contacts: 400 V</li> <li>• Rated current</li> <li>• Switching frequency ≤ 0.1 Hz (Switching frequency &gt; 0.1 Hz will shorten life.)</li> <li>• T ≤ 55 °C</li> <li>• No arc suppression (Usage of arc suppression will prolong life but may increase response time at inactivation.)</li> <li>• 3 phase load in a star connection.</li> </ul>		
<b>Mechanical data</b>		
Weight		190 – 230 g
Material	Housing	PA66 with 25 % fiberglass (UL94 V0)
	Connection block, screw compression type	PA66 (UL94 V0)
	Connection block, push-in type	PA66 with 25 % fiberglass (UL94 V0)
	Opener, push-in type	PBT/GF (UL94 V0)
Color	Housing	Yellow
	Connection block, screw compression type	Black
	Connection block, push-in type	Black
	Opener, push-in type	Orange
Attachment requirements		35 mm DIN rail (DIN 50022)
<b>Environmental data</b>		
Pollution degree		II
Protection class	Safety relay	IP20
	Enclosure for installation	At least IP54. Lockable.
Ambient temperature range for operation within specified operation range		-25°C – +55°C
Ambient temperature range for storage		-40°C ≤ Ta ≤ +70°C
Humidity range for operation		10 % ≤ Rh ≤ 90 %, no icing, occasional condensation
Humidity range for storage		10 % ≤ Rh ≤ 95 %, no icing, occasional condensation

<b>Environmental data</b>	
Maximum temperature gradient	2°C/min
Altitude	Suitable for use at ≤ 2000 meters above sea level
Vibration	10-55 Hz sine, 0.35 mm (1 oct/min 20 sweep cycles, all directions)
Shock	5g, 11 ms Half sine +/- 100 Shocks
<b>EU Directive Compliance</b>	
Directives	European Machinery Directive 2006/42/EC EMC Directive 2014/30/EU RoHS Directive 2011/65/EU RoHS3 Directive 2015/863
<b>UK Regulations Compliance</b>	
Regulations	2008 No.1597 Supply of Machinery (Safety) Regulations (MD) 2012 No.3032 Restriction of the Use of Certain Hazardous Substances in Electrical and Electronic Equipment Regulations (RoHS) 2016 No.1091 Electromagnetic Compatibility Regulations (EMC)
<b>US/CA Compliance</b>	
Application standard compliance	UL 60947-5-1:2014 CSA C22.2 No. 60947-5-1:2014 CSA B44.1
<b>Standard compliance and approvals</b>	
Application standard compliance	EN ISO 13851:2019 EN ISO 13856-1:2013 EN ISO 13856-2:2013 EN ISO 13856-3:2013
Functional safety standard compliance	IEC 61508-1-4:2010, up to SIL3 EN ISO 13849-1:2015, up to PLe/Cat.4 EN 62061:2005, up to SILCL3 EN 61511-1:2003 UL 61508
Electrical safety standard compliance	EN 50178-1:1997 EN 60204-1:2018 EN 60664-1:2007 IEC 60947-5-1:2009
Electromagnetic compatibility standard compliance	EN 61326-3-1:2008
<b>Approvals</b>	
CE	
TÜV SÜD	

<b>Approvals</b>	
cULus	
CCC	
RCM	
S	
KC	
UKCA	
<b>Standard</b>	
IEC 61508	PFH <sub>D</sub> 3.0E-9 and PFD 5.2E-6 (see chapter 8.2 Scheduled test)
EN ISO 13849-1, EN 62061	PFH <sub>D</sub> 3.0E-9
Mission time	20 years
<b>Information for use in USA/Canada</b>	
Intended use	Applications according to NFPA 79
Power source	A suitable isolating source in conjunction with a fuse in accordance with UL248. The fuse shall be any (JDYX/7) fast acting, ratings 250V, 4 A, IR200A, and be installed in the +24 VDC and 230VAC power supply to the device in order to limit the available current.

## **13 Declaration of conformity**



## EC Declaration of conformity

(according to 2006/42/EC, Annex 2A)

We ABB Electrification Sweden AB declare that the safety components of ABB AB manufacture with type designations and safety functions as listed below, is in conformity with the Directives  
SE-721 61 Västerås Sweden  
2006/42/EC - Machinery  
2014/30/EU - EMC  
2011/65/EU - RoHS  
2015/863 - RoHS3

Authorised to compile the technical file ABB Electrification Sweden AB  
SE-721 61 Västerås  
Sweden

### Product

Safety relay  
Sentry, all versions of  
USR10, USR22, SSR10M, SSR10,  
SSR20M, SSR20, SSR32, SSR42,  
TSR10, TSR20M, TSR20, BSR10,  
BSR11, BSR23

### EC type-examination certificate

M6A 049833 0032 Rev.00

Notified Body TÜV Süd Product Service GmbH  
Ridlerstrasse 65  
80339 München  
Germany  
Notified body No. 0123

Used harmonized standards EN ISO 12100:2010, EN ISO 13849-1:2015,  
EN 62061:2005+A2:2015, EN 60204-1:2006+A1:2009,  
EN 60664-1:2007, EN 61000-6-2:2005, EN 61000-6-4:2007

Other used standards EN 61508:2010

Magnus Backman  
R&D Manager  
Kungsbacka 2021-11-02

---

[abb.com/lowvoltage](http://abb.com/lowvoltage)

Original



## Declaration of conformity

(according to 2008 No 1597)

We ABB Electrification  
Sweden AB  
SE-721 61 Västerås  
Sweden

declare that the safety components of ABB AB manufacture with type designations and safety functions as listed below, is in conformity with UK Statutory Instruments (and their amendments)

2008 No 1597 – Supply of Machinery (Safety) Regulations (MD)  
2016 No. 1091 – Electromagnetic Compatibility Regulations (EMC)  
2012 No 3032 – Restriction of the Use of Certain Hazardous Substances in Electrical and Electronic Equipment Regulations (RoHS)

Authorised to compile the technical file

ABB Ltd. Tower Court  
Coventry CV6 5NX  
United Kingdom

### Product

Safety relay Sentry

USR10, USR22,  
SSR10M, SSR10, SSR20M,  
SSR20, SSR32, SSR42,  
TSR10, TSR20M, TSR20,  
BSR10, BSR11, BSR23

Used designated standards

EN ISO 12100:2010, EN ISO 13849-1:2015,  
EN 62061:2005+A2:2015, EN 60204-1:2006+A1:2009,  
EN 60664-1:2007, EN 61000-6-2:2005, EN 61000-6-4:2007

Other used standards

EN 61508:2010

Magnus Backman  
R&D Manager  
Västerås 2021-03-28

---

<https://new.abb.com/low-voltage/products/safety-products>

Original





---

**ABB Electrification Sweden AB**  
SE-721 61 Västerås  
Sweden

