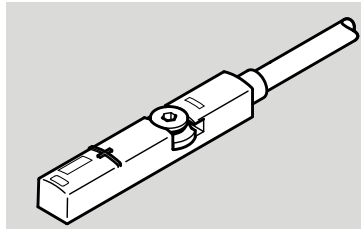


# SME-8M-...-24V-...

## Proximity sensor



# FESTO

Festo SE & Co. KG  
Rüter Straße 82  
73734 Esslingen  
Germany  
+49 711 347-0

www.festo.com

### Instructions | Operating

8112707  
2019-05  
[8112709]



Translation of the original instructions

## 1 About this document

### 1.1 Further applicable documents



All available documents for the product → [www.festo.com/pk](http://www.festo.com/pk).

### 1.2 Safety

– Before working on the electrics: switch off the voltage supply.

#### ⚠ WARNING!

#### Risk of injury due to electric shock.

- For the electric power supply, use only PELV circuits that ensure a reliable electric disconnection from the mains network.
- Observe IEC 60204-1/EN 60204-1.

### 1.3 Intended use

This product is intended for sensing the position of magnets (e. g. the piston position) in Festo products. The device is intended for use in an industrial environment.

#### 1.3.1 Area of application and approval

In combination with the UL inspection mark on the product, the information in this section must also be observed in order to comply with the certification conditions of Underwriters Laboratories Inc. (UL) for USA and Canada.

UL approval information	
Product category code	NRKH, NRKH7
File number	E232949
Considered standards	UL 60947-5-2 CAN/CSA C22.2 No. 60947-5-2
UL mark	 Industrial Control Equipment 2MD1

Tab. 1

## 2 Electrical connection

M8/M8D	M12	OE

Tab. 2

## SME-8M-DO-24V-...

M8/M8D	M12	OE

Tab. 3

## SME-8M-ZS-24V-...

M8/M8D	M12	OE

Tab. 4

## 3 Mechanical installation

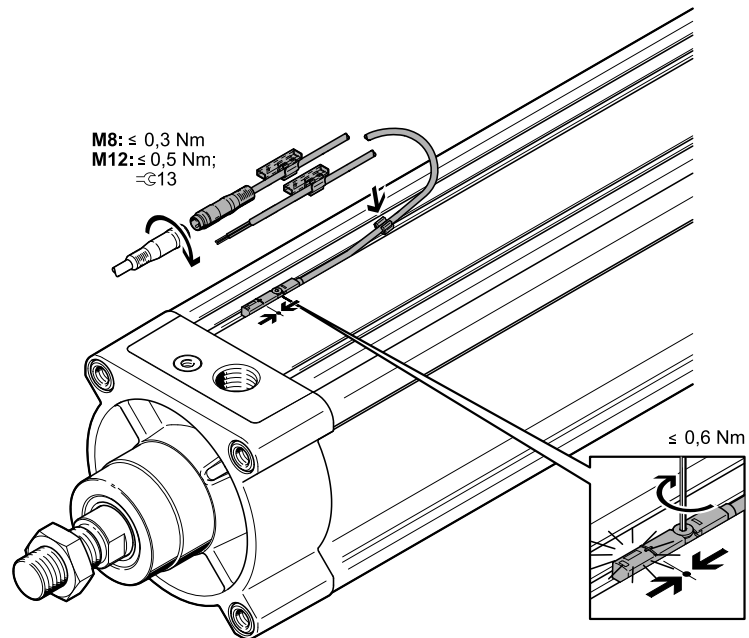


Fig. 1

## 4 Technical data

### 4.1 Technical data UL

SME-8M-...-24V-...		
Operating voltage range	[V DC]	5 ... 30
Ambient temperature	[°C]	-20 ... +70

Tab. 5

### 4.2 Technical data, general

SME-8M-...-24V-...		
Operating voltage range	[V AC/DC]	5 ... 30
Max. output current	[mA]	500
Max. output current in mounting kit	[mA]	80
Max. switching capacity	[W]	10
Max. switching capacity in mounting kit	[W]	2.4
Ambient temperature	[°C]	-40 ... +70
Ambient temperature with flexible cable installation	[°C]	-5 ... +70
Degree of protection		IP65, IP68

Tab. 6